



US00D655635S

(12) **United States Design Patent**  
**Yamada**

(10) **Patent No.:** **US D655,635 S**  
(45) **Date of Patent:** **\*\* Mar. 13, 2012**

(54) **SENSOR TRANSMITTER FOR MEASURING AIR PRESSURE OF A TIRE**

2010/0064792 A1\* 3/2010 Chuang et al. .... 73/146.8  
2010/0319447 A1\* 12/2010 Uh et al. .... 73/146.8  
2011/0209537 A1\* 9/2011 Zhang ..... 73/146.8

(75) Inventor: **Hirohisa Yamada**, Yamagata (JP)

**OTHER PUBLICATIONS**

(73) Assignee: **Pacific Industrial Co., Ltd.**, Ogaki-shi, Gifu-ken (JP)

Website: <http://techon.nikkeibp.co.jp/artide/WORD/20060418/116228/>, posted by Nikkei Business Publications on Mar. 27, 2006.

(\*\*) Term: **14 Years**

\* cited by examiner

(21) Appl. No.: **29/374,340**

*Primary Examiner* — Antoine D Davis

(22) Filed: **Jul. 29, 2011**

(74) *Attorney, Agent, or Firm* — Faegre Baker Daniels LLP

(30) **Foreign Application Priority Data**

(57) **CLAIM**

Mar. 30, 2011 (JP) ..... 2011-007243  
Mar. 30, 2011 (JP) ..... 2011-007244  
Mar. 30, 2011 (JP) ..... 2011-007245

The ornamental design for a sensor transmitter for measuring air pressure of a tire, as shown and described.

(51) **LOC (9) Cl.** ..... **10-04**

**DESCRIPTION**

(52) **U.S. Cl.** ..... **D10/86**

(58) **Field of Classification Search** ..... D10/86;  
73/732, 744, 742, 717, 741, 146.3, 146.8  
See application file for complete search history.

FIG. 1 is a front, top, and right side perspective view of a first embodiment of a sensor transmitter for measuring air pressure of a tire showing my new design;  
FIG. 2 is a front, bottom, and left side perspective view thereof;  
FIG. 3 is a front view thereof;  
FIG. 4 is a top plan view thereof;  
FIG. 5 is a bottom plan view thereof;  
FIG. 6 is a right side elevational view thereof; and,  
FIG. 7 is a left side elevational view thereof.

(56) **References Cited**

**U.S. PATENT DOCUMENTS**

2007/0186637 A1\* 8/2007 Blossfeld ..... 73/146.8  
2007/0295076 A1\* 12/2007 Blossfeld et al. .... 73/146.8  
2008/0250852 A1\* 10/2008 Capdepon et al. .... 73/146.8  
2008/0257028 A1\* 10/2008 Liao ..... 73/146.8  
2008/0289406 A1\* 11/2008 Benatti et al. .... 73/146.3  
2010/0024539 A1\* 2/2010 Hamm et al. .... 73/146.5

The features shown in broken lines in the drawings depict environmental subject matter only and form no part of the claimed design. The dot-dashed lines denote the boundary of the claim, and form no part of the claimed design.

**1 Claim, 6 Drawing Sheets**

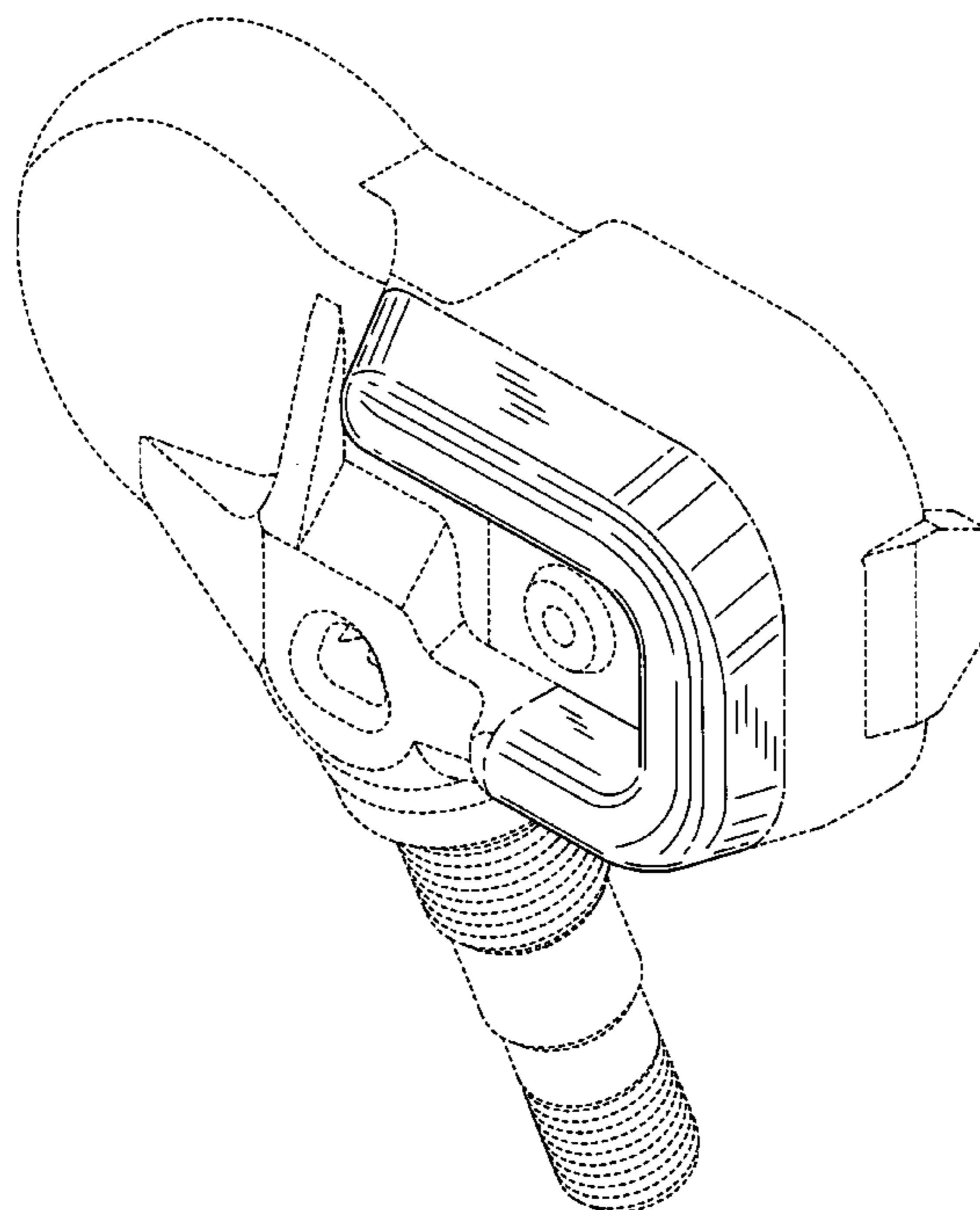


Fig. 1

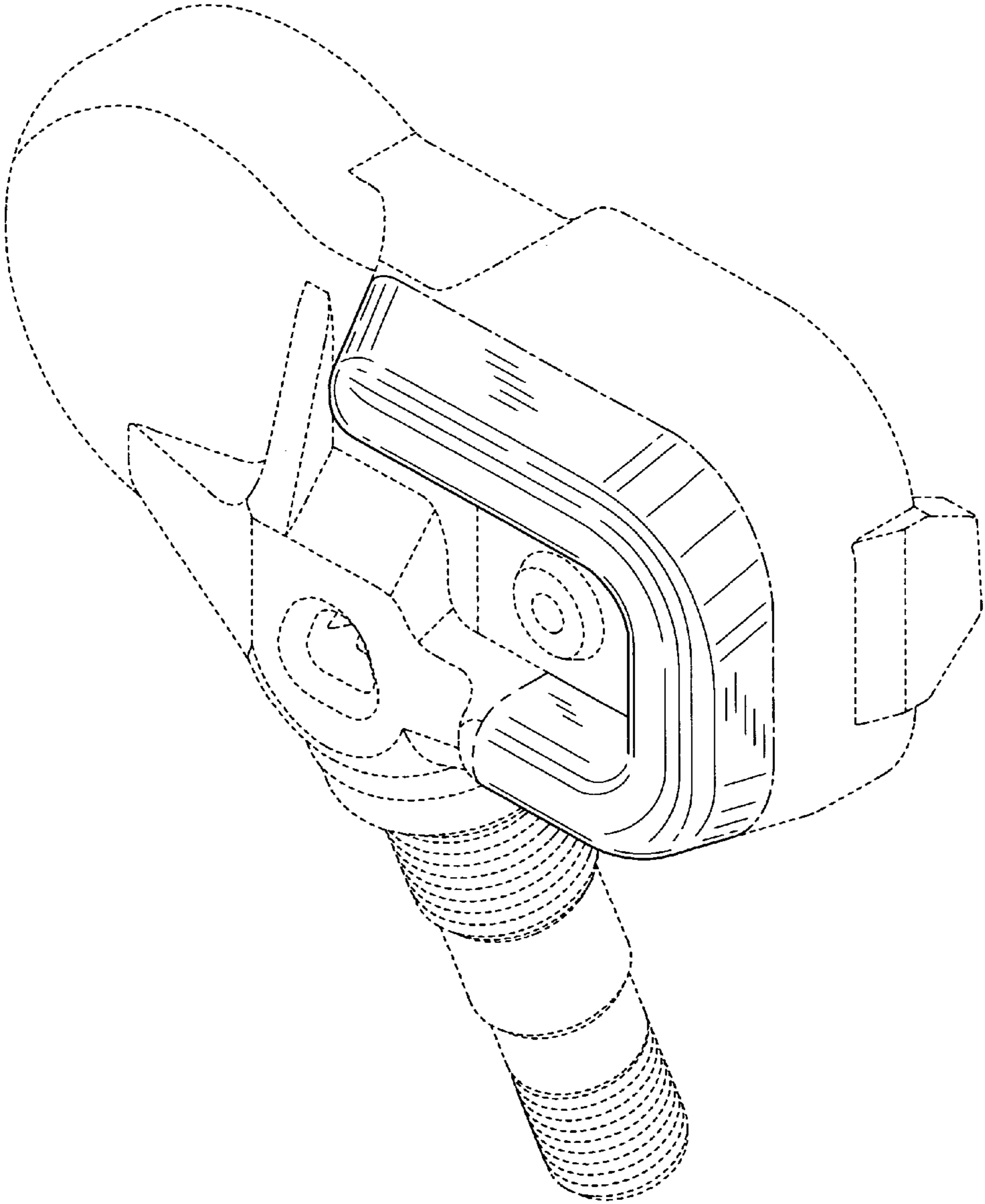


Fig. 2

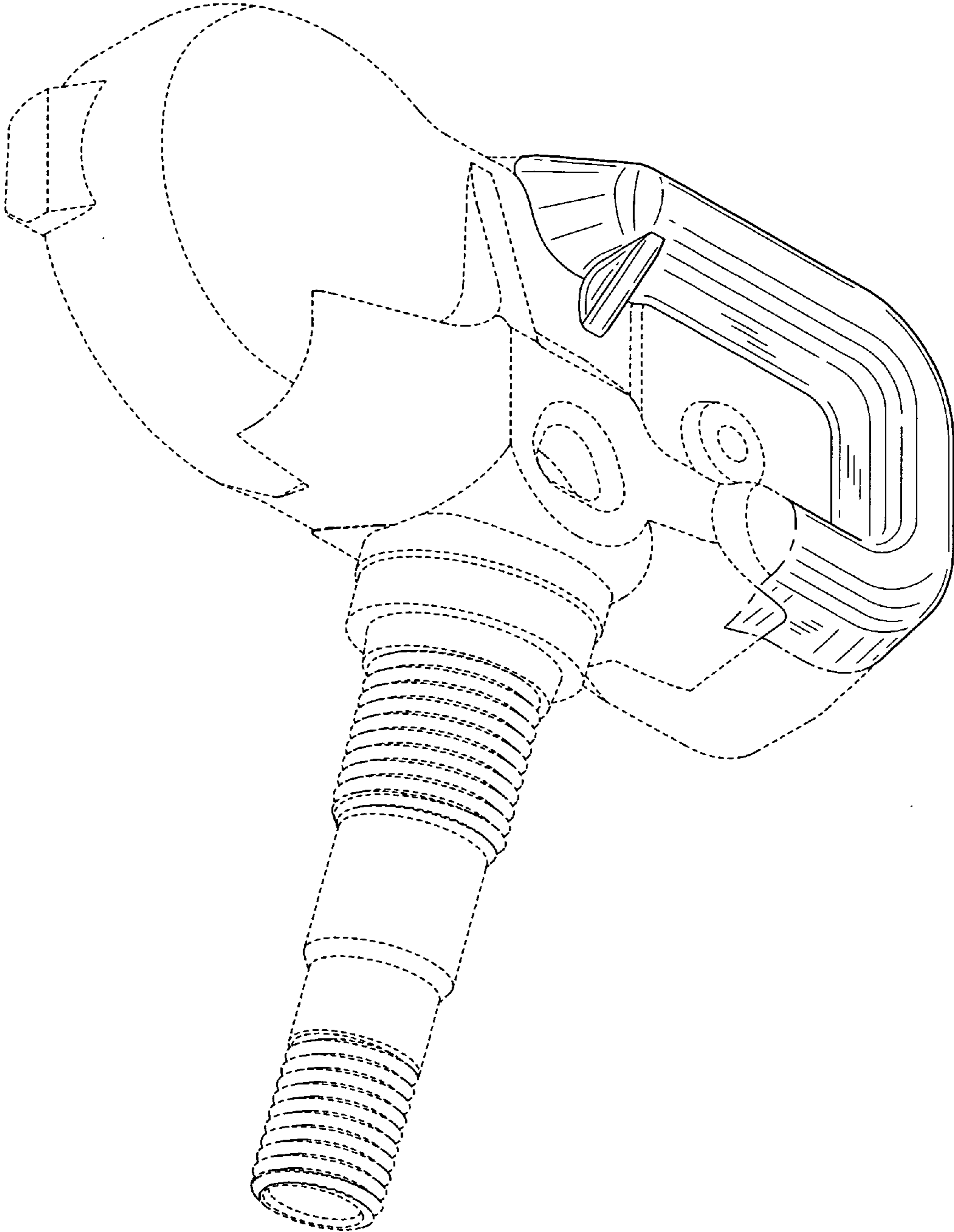


Fig. 3

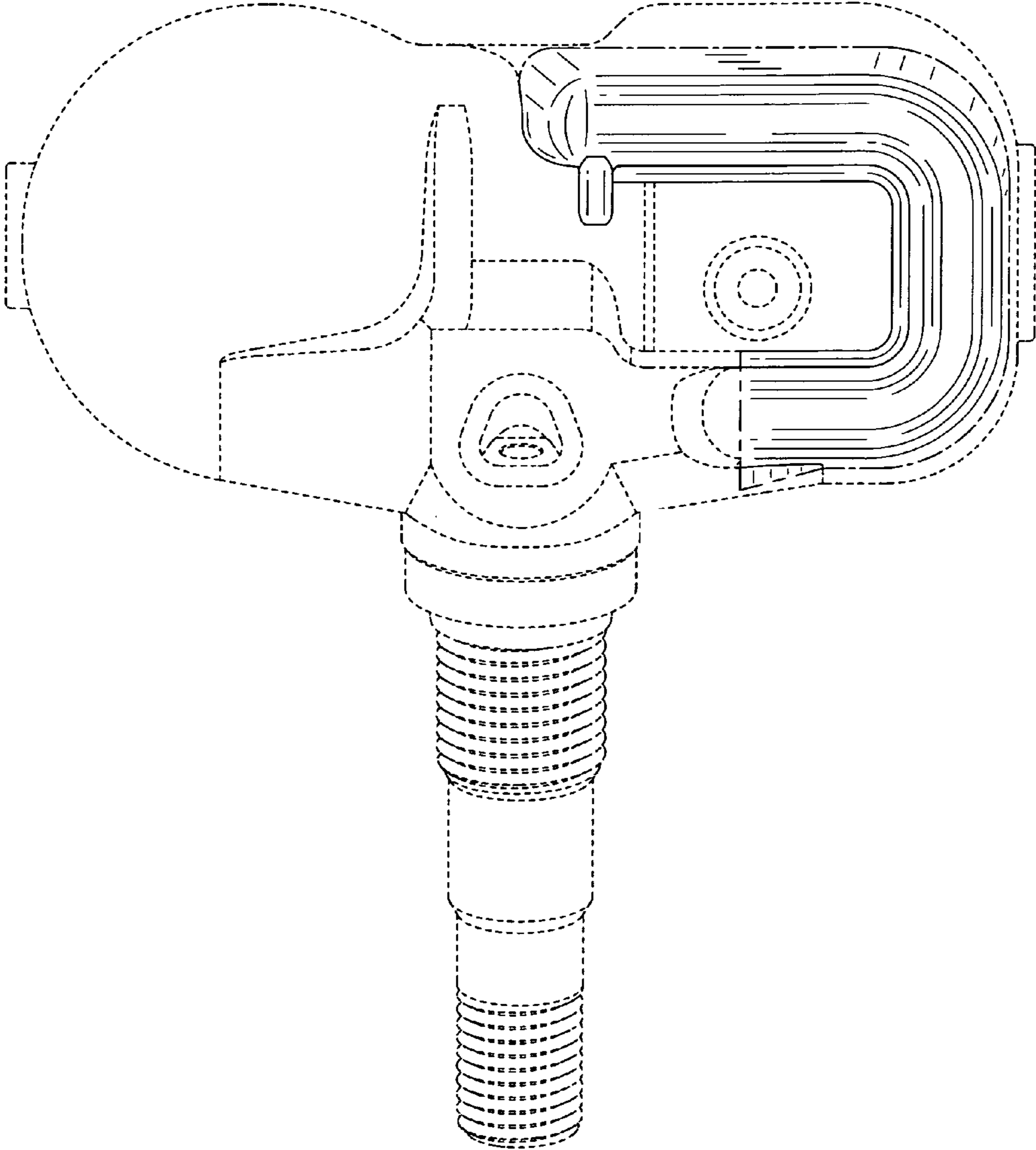


Fig. 4

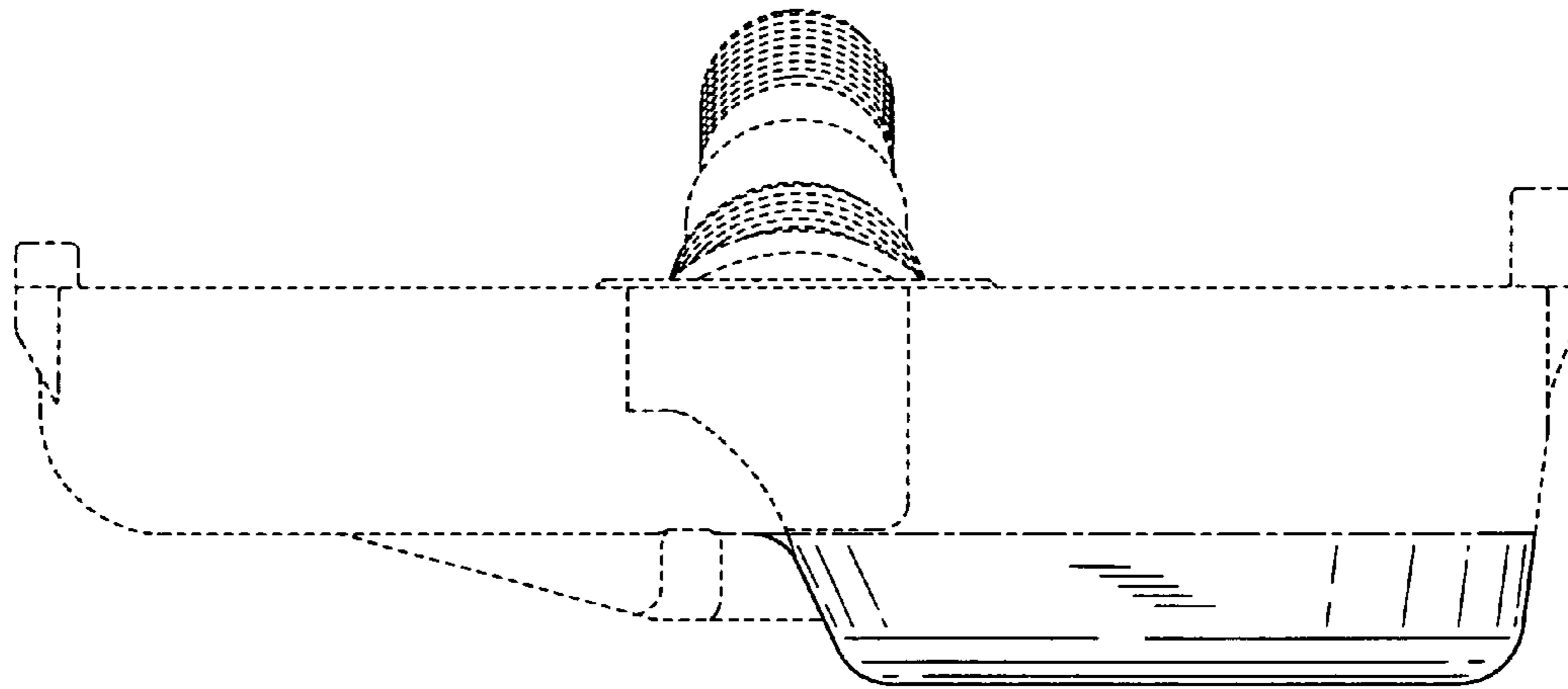


Fig. 5

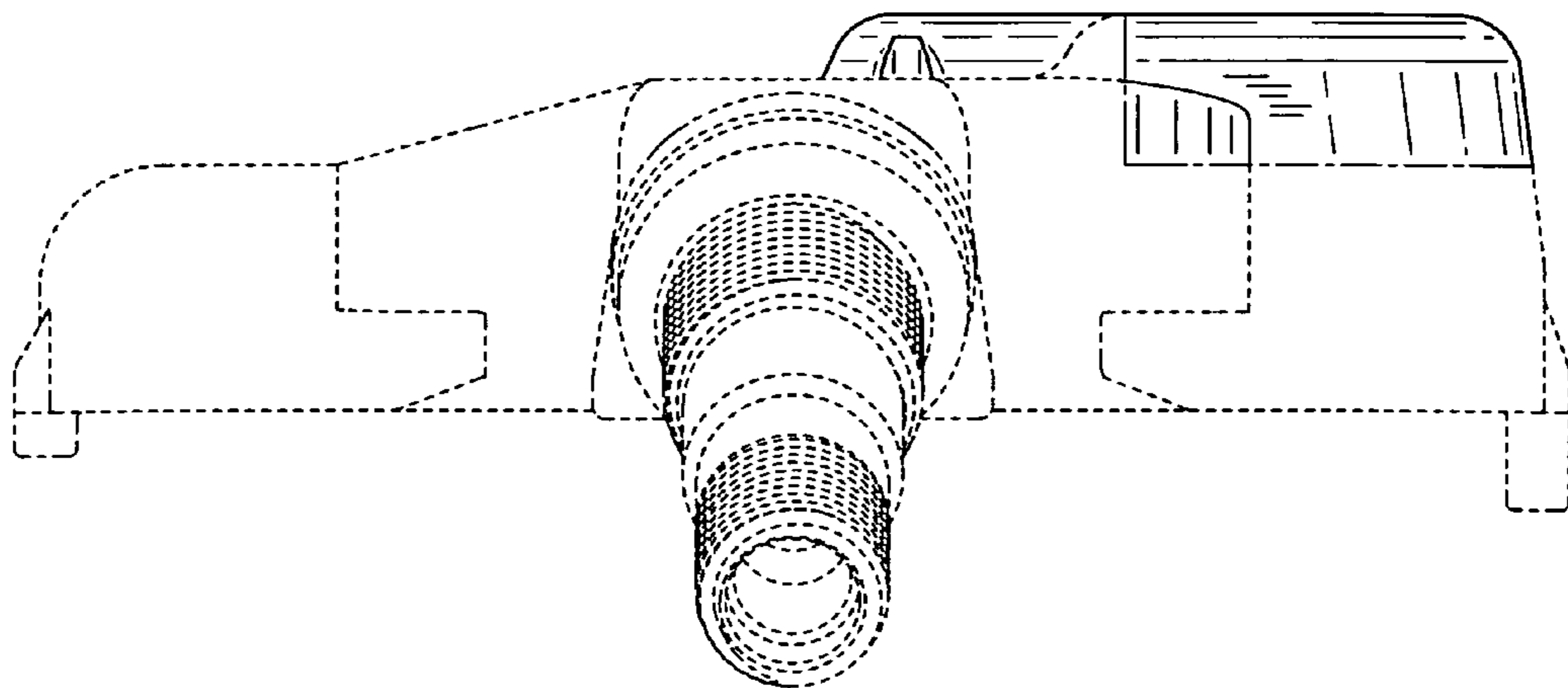


Fig. 6

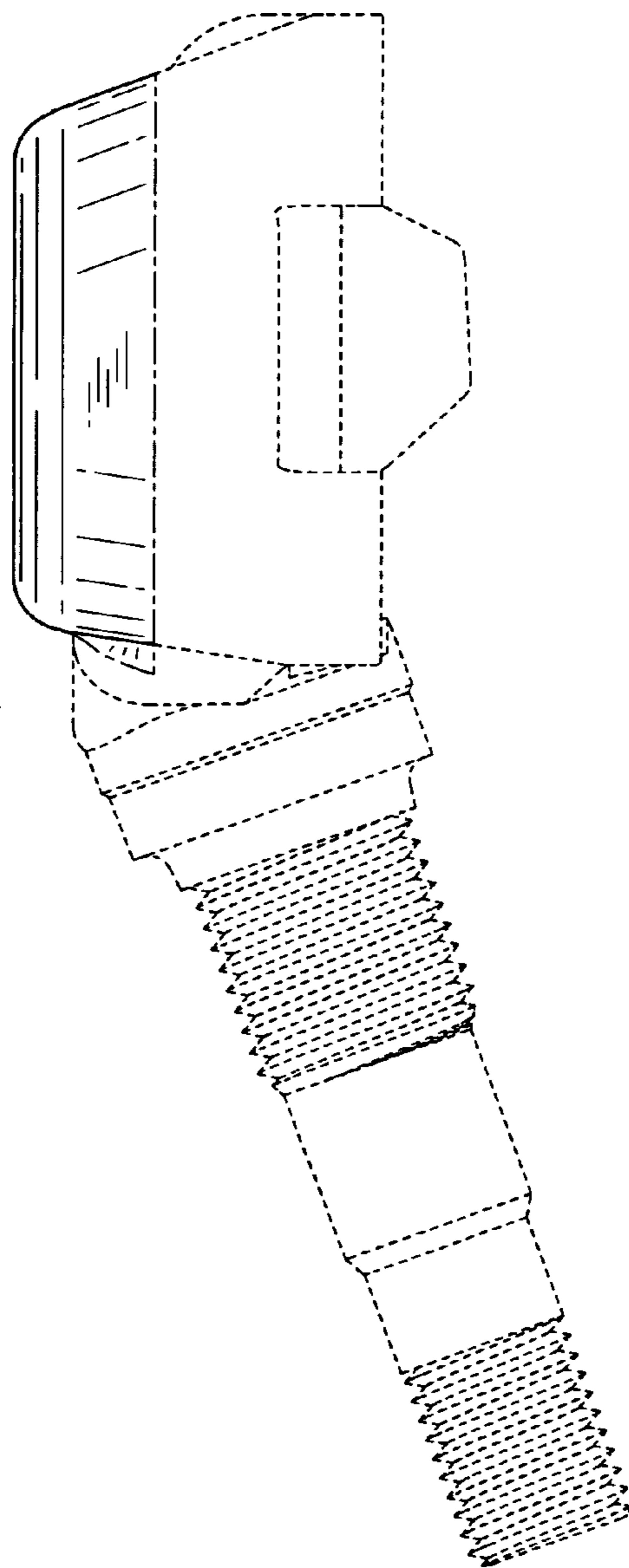


Fig. 7

