



US00D655630S

(12) **United States Design Patent**  
**Behling**

(10) **Patent No.:** **US D655,630 S**

(45) **Date of Patent:** **\*\* Mar. 13, 2012**

(54) **WATCH CASE**

(75) **Inventor:** **Christoph Behling**, London (GB)

(73) **Assignee:** **LVMH Swiss Manufactures SA**, La Chaux-De-Fonds (CH)

(\*\*) **Term:** **14 Years**

(21) **Appl. No.:** **29/402,160**

(22) **Filed:** **Sep. 21, 2011**

(30) **Foreign Application Priority Data**

Mar. 21, 2011 (CH) ..... 594322801

(51) **LOC (9) Cl.** ..... **10-02**

(52) **U.S. Cl.** ..... **D10/38**

(58) **Field of Classification Search** ..... D10/30-39;  
368/276, 281, 282, 285  
See application file for complete search history.

(56) **References Cited**

**U.S. PATENT DOCUMENTS**

D195,421	S	*	6/1963	Huguenin	.....	D10/39
3,901,023	A	*	8/1975	Uebelhardt	.....	368/281
5,220,541	A	*	6/1993	Vuilleumier	.....	368/88
5,226,023	A	*	7/1993	Grimm	.....	368/223
5,649,381	A	*	7/1997	Studer	.....	40/633
D457,817	S	*	5/2002	Brandt	.....	D10/39
D465,739	S	*	11/2002	Arabov	.....	D10/39

6,570,823	B1	*	5/2003	Gilomen et al.	.....	368/113
D517,432	S	*	3/2006	Laucella	.....	D10/39
D536,627	S	*	2/2007	Behling	.....	D10/38
D536,628	S	*	2/2007	Roth	.....	D10/38
D538,182	S	*	3/2007	Lalo	.....	D10/32
D578,904	S	*	10/2008	Calvani	.....	D10/39
D590,274	S	*	4/2009	Monachon	.....	D10/31
D624,443	S	*	9/2010	Cerrato	.....	D10/38
D650,710	S	*	12/2011	Laucella	.....	D10/39

\* cited by examiner

*Primary Examiner* — Lucy Lieberman

(74) *Attorney, Agent, or Firm* — Mark S. Leonardo; Brown Rudnick LLP

(57) **CLAIM**

The ornamental design for a watch case, as shown and described.

**DESCRIPTION**

FIG. 1 illustrates a perspective view of a watch case employing an ornamental design in accordance with the present invention;

FIG. 2 illustrates a front view of the watch case of FIG. 1;

FIG. 3 illustrates a back view of the watch case of FIG. 1;

FIG. 4 illustrates a left side view of the watch case of FIG. 1;

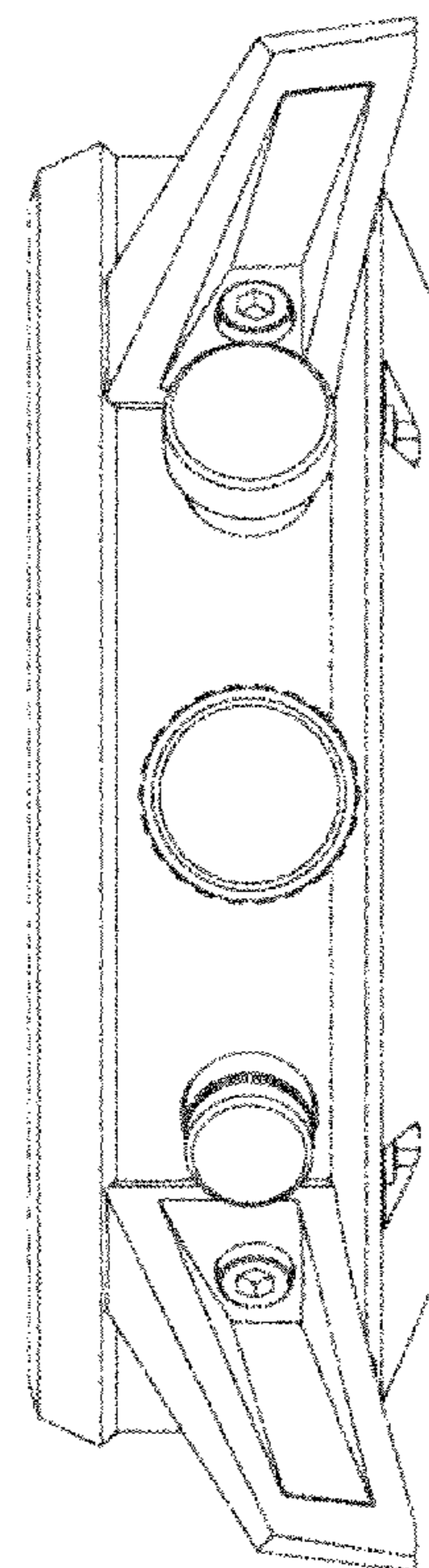
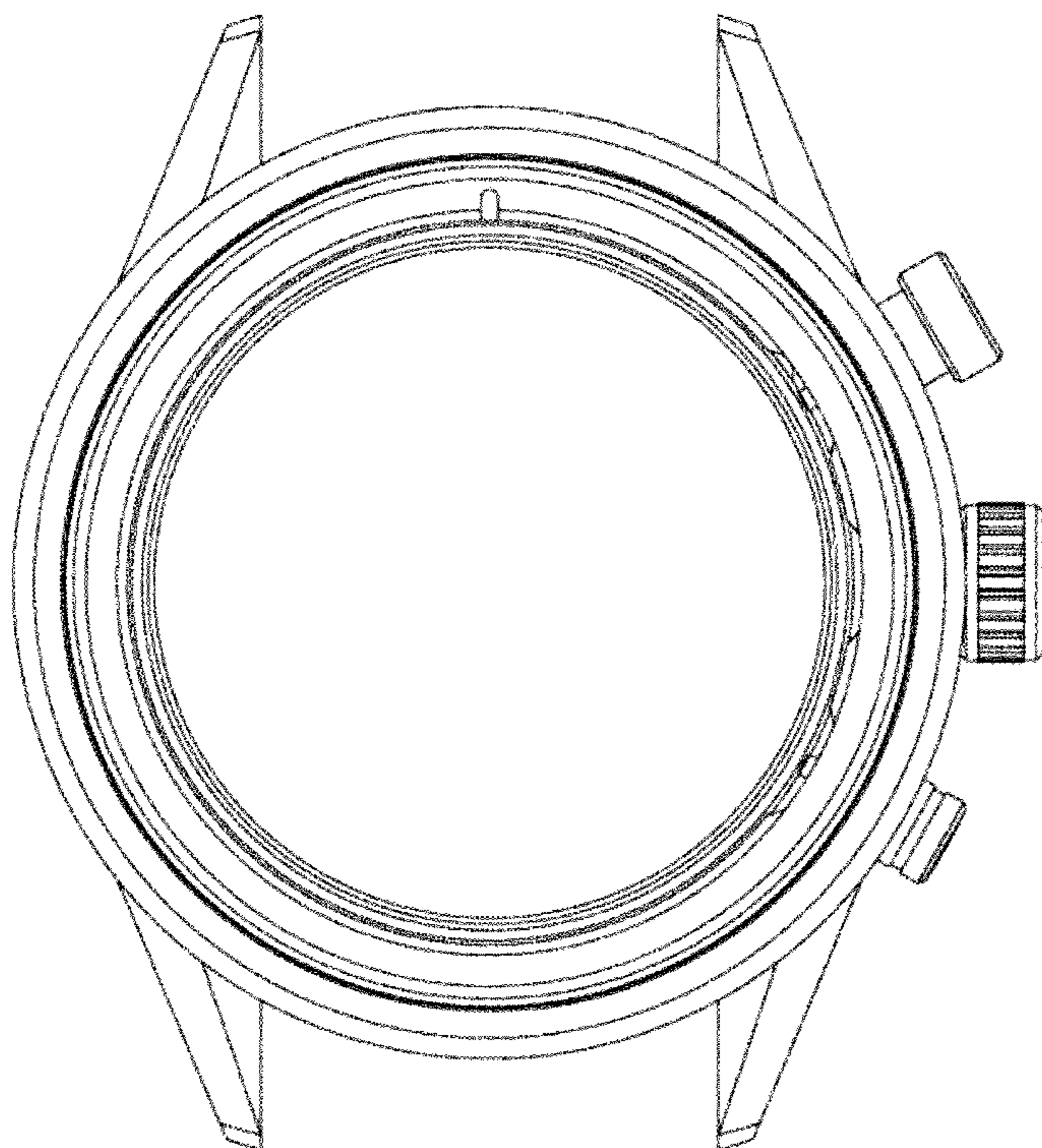
FIG. 5 illustrates a right side view of the watch case of FIG. 1;

FIG. 6 illustrates a top plan view of the watch case of FIG. 1;

and,

FIG. 7 illustrates a bottom plan view of the watch case of FIG. 1.

**1 Claim, 7 Drawing Sheets**



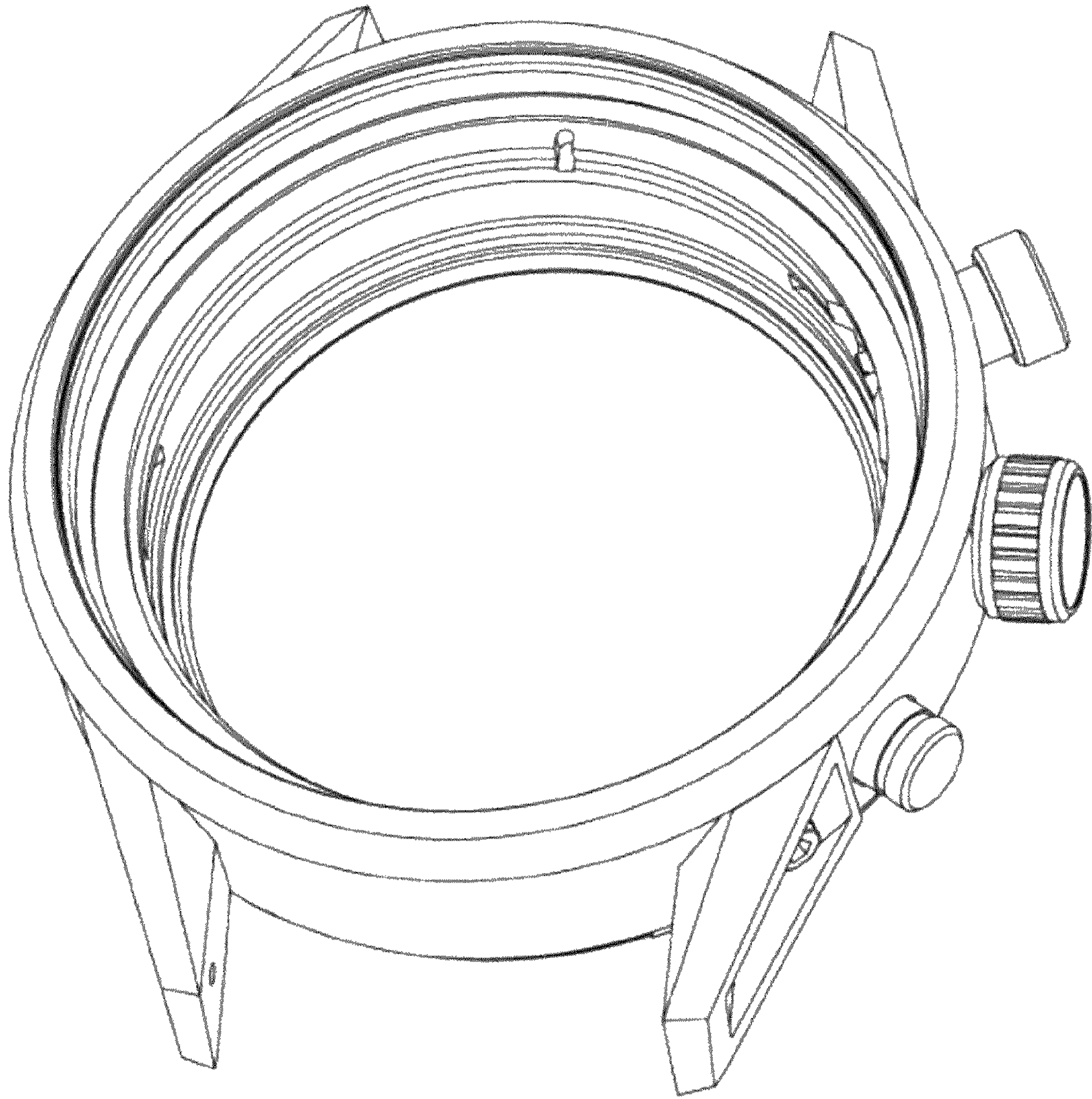


FIG. 1

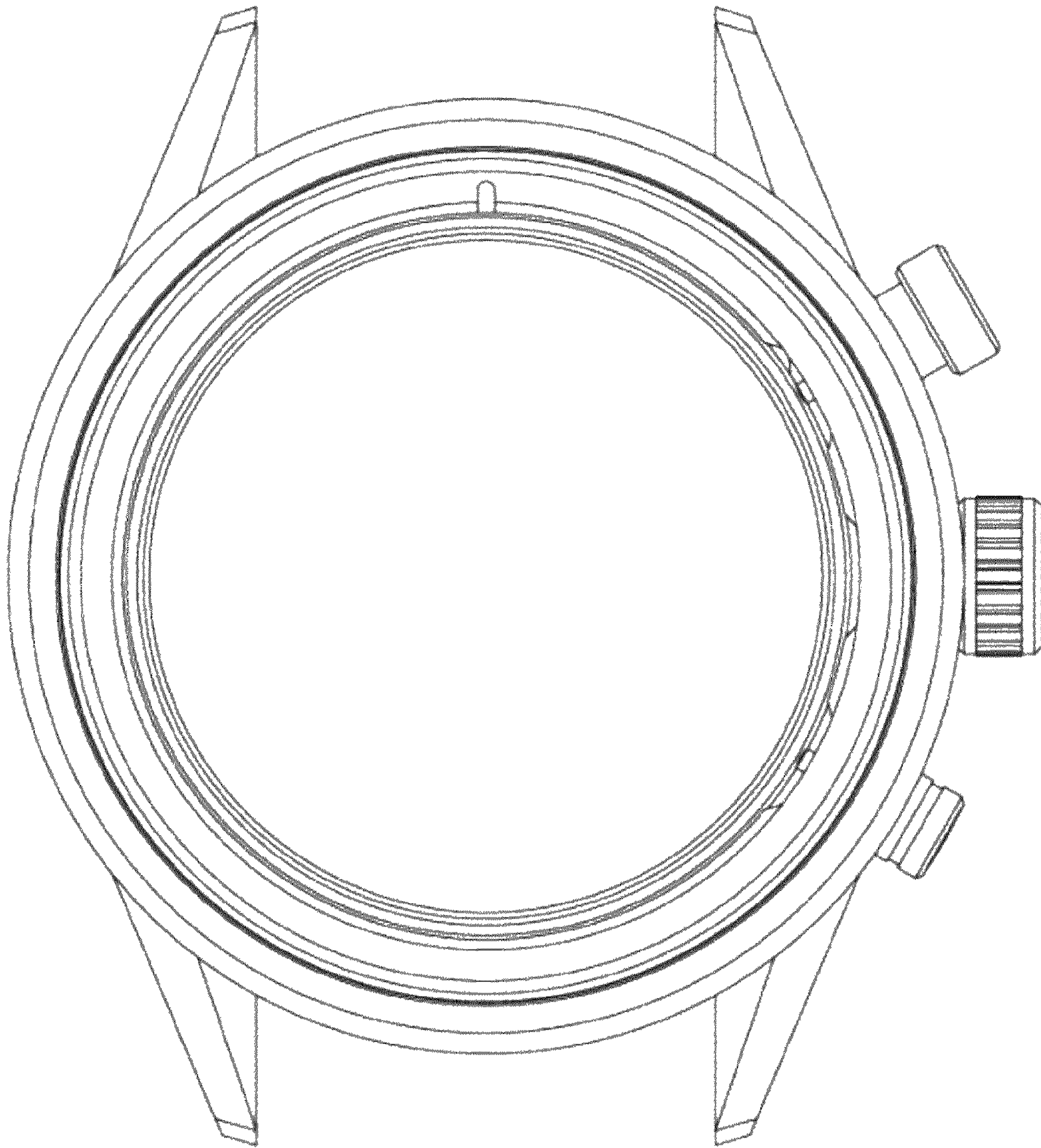


FIG. 2

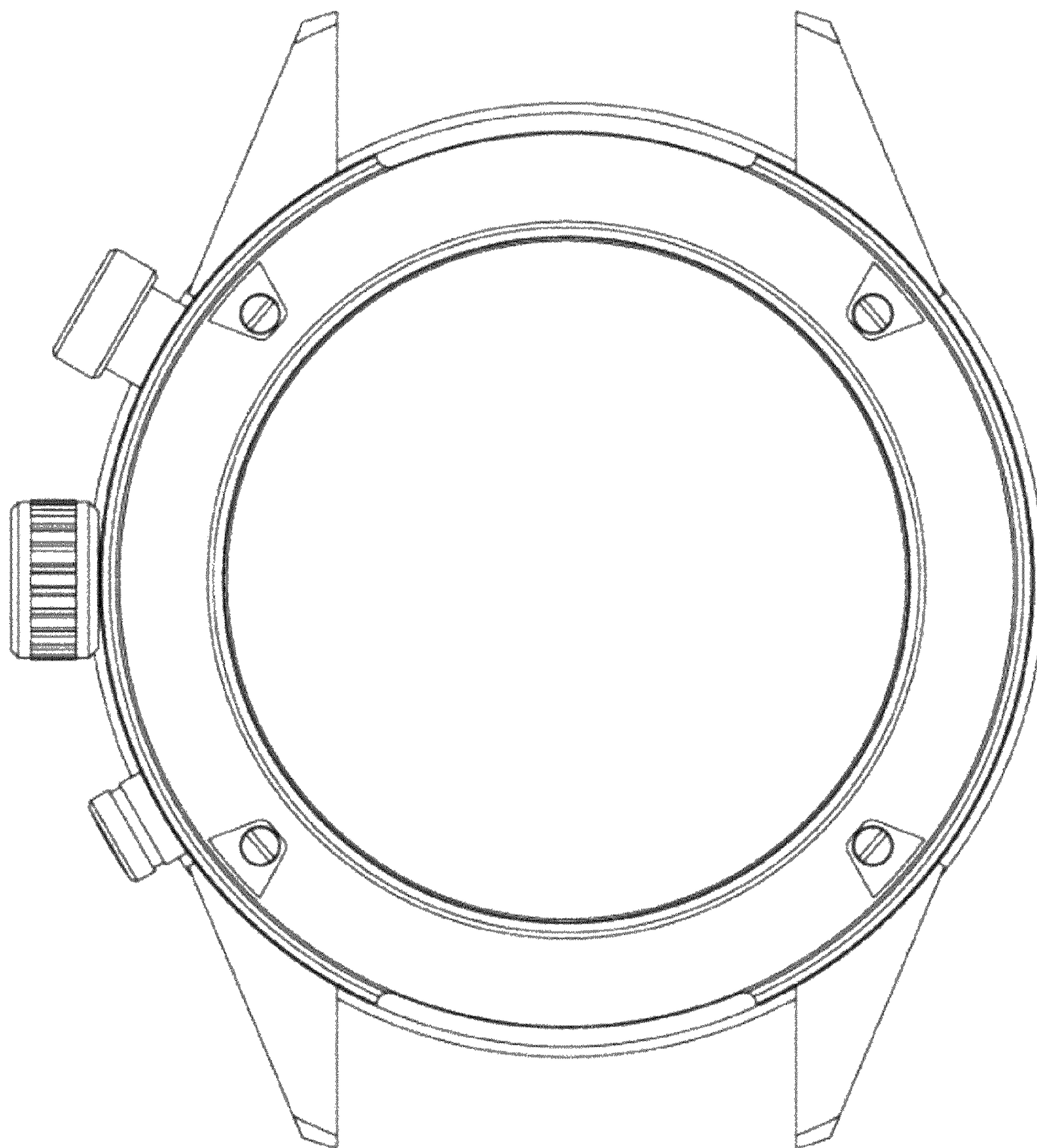
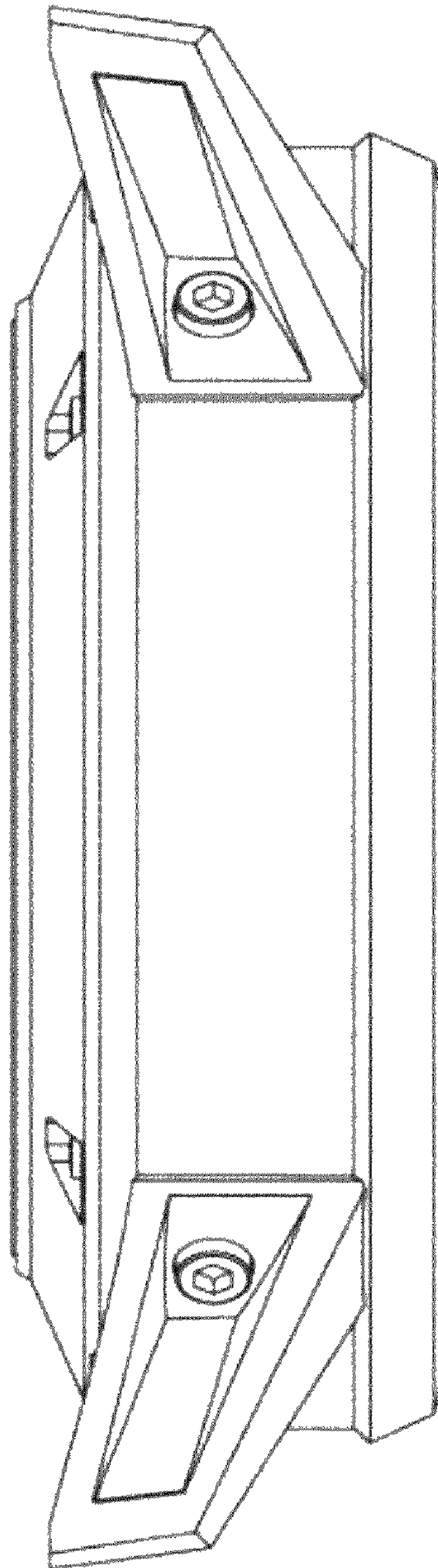
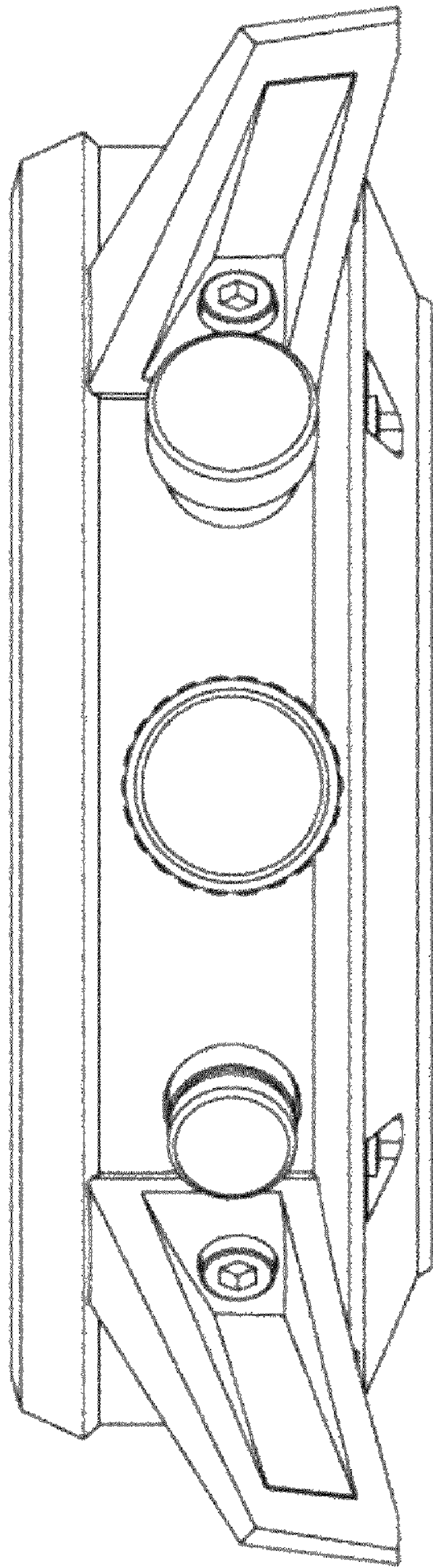


FIG. 3



**FIG. 4**



**FIG. 5**

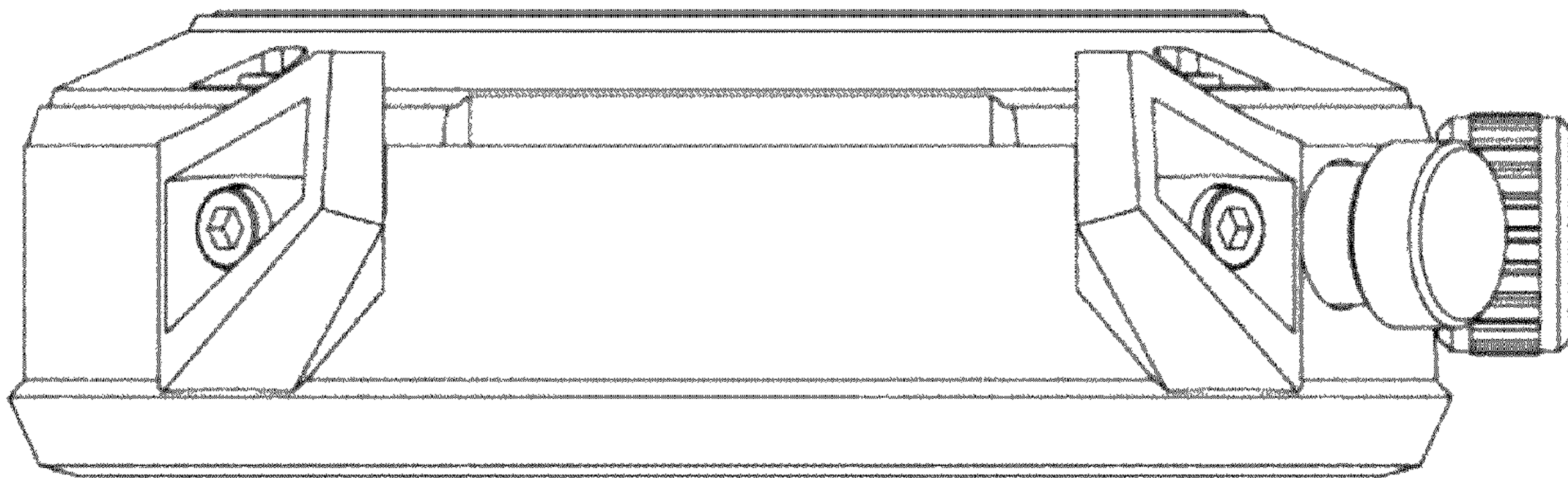


FIG. 6

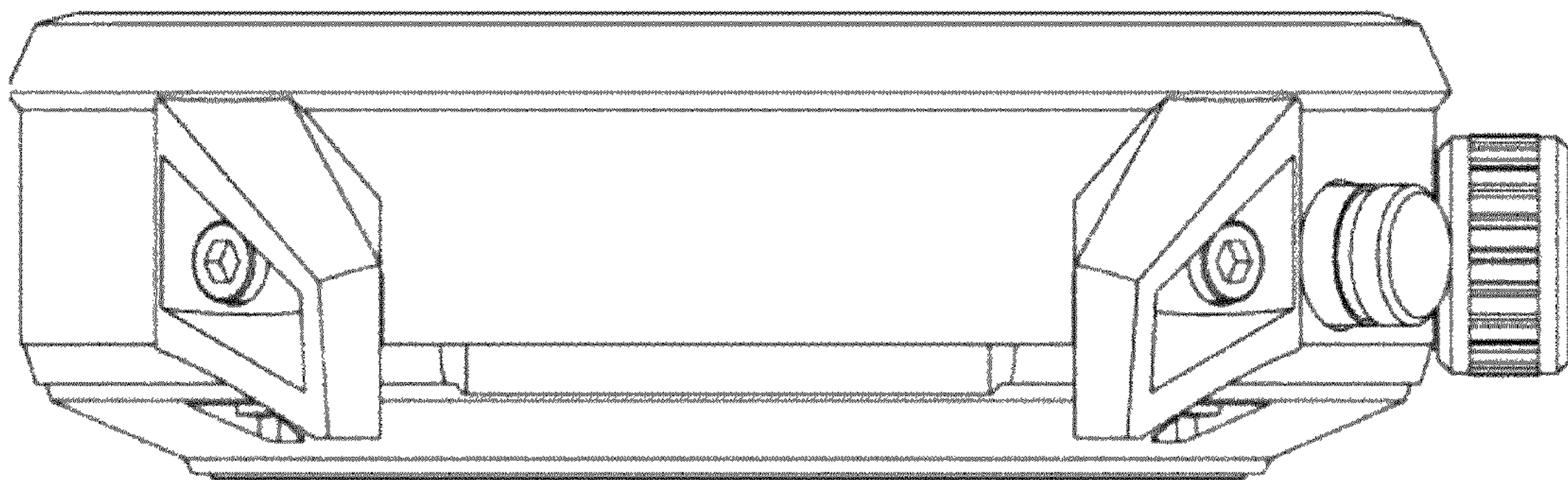


FIG. 7