



US00D655629S

(12) **United States Design Patent**
Blanton et al.

(10) **Patent No.:** **US D655,629 S**
(45) **Date of Patent:** **** Mar. 13, 2012**

(54) **FOOD CONTAINER**

(56) **References Cited**

(75) Inventors: **Bob Blanton**, Wichita, KS (US); **Jim N. Belcher**, Greer, SC (US); **Luther A. Gross**, Churubusco, IN (US); **George Lueken**, Fort Wayne, IN (US); **Scott Maurer**, Moore, SC (US); **Kevin Speith**, Fort Wayne, IN (US); **Anthony York**, Bethlehem, PA (US)

U.S. PATENT DOCUMENTS

D224,662	S	*	8/1972	Swett et al.	D7/546
D273,842	S	*	5/1984	Jeannin	D9/758
D281,398	S	*	11/1985	Kesselring	D9/756
D417,366	S	*	12/1999	Obra	D7/549
D426,751	S	*	6/2000	Obra	D7/555
D485,942	S	*	1/2004	McLeish	D28/8.1
D494,463	S	*	8/2004	Tsao	D9/761
D505,335	S	*	5/2005	Grenda	D9/737
D530,625	S	*	10/2006	Darin	D9/761
D531,054	S	*	10/2006	Sagel	D9/737
D535,195	S	*	1/2007	Schwab	D9/756
D557,047	S	*	12/2007	Dretzka	D6/510
D560,492	S	*	1/2008	Markowicz et al.	D9/721
D625,994	S	*	10/2010	Krupa	D9/424

(73) Assignee: **Cargill, Incorporated**, Wayzata, MN (US)

(**) Term: **14 Years**

(21) Appl. No.: **29/354,485**

(22) Filed: **Jan. 25, 2010**

Related U.S. Application Data

(63) Continuation of application No. 29/308,025, filed on May 22, 2008, now abandoned.

(51) **LOC (9) Cl.** **09-03**

(52) **U.S. Cl.** **D09/761**

(58) **Field of Classification Search** D9/414, D9/415, 418, 420, 422, 423, 424, 425, 759, D9/737, 761, 756; D7/602, 538, 629; D3/294; 229/406, 904; 206/495, 776, 806, 459.5, 206/44 R, 45.31, 45.34, 461, 469, 471; 220/287, 220/835, 839, 23.83, 500, 556, 557, 662, 220/669, 675, 23.2, 23.8, 376, 377, 380, 220/521, 657

See application file for complete search history.

OTHER PUBLICATIONS

Excel, Fresh Ground Beef Patties brochure, 2007 2 pgs. USA.

* cited by examiner

Primary Examiner — Mark Goodwin

(57) **CLAIM**

The ornamental design for a food container, as shown and described.

DESCRIPTION

FIG. 1 is a front perspective view of a food container showing my new design.

FIG. 2 is a rear perspective view thereof.

FIG. 3 is a right side view thereof.

FIG. 4 is a left side view thereof.

FIG. 5 is a front view thereof.

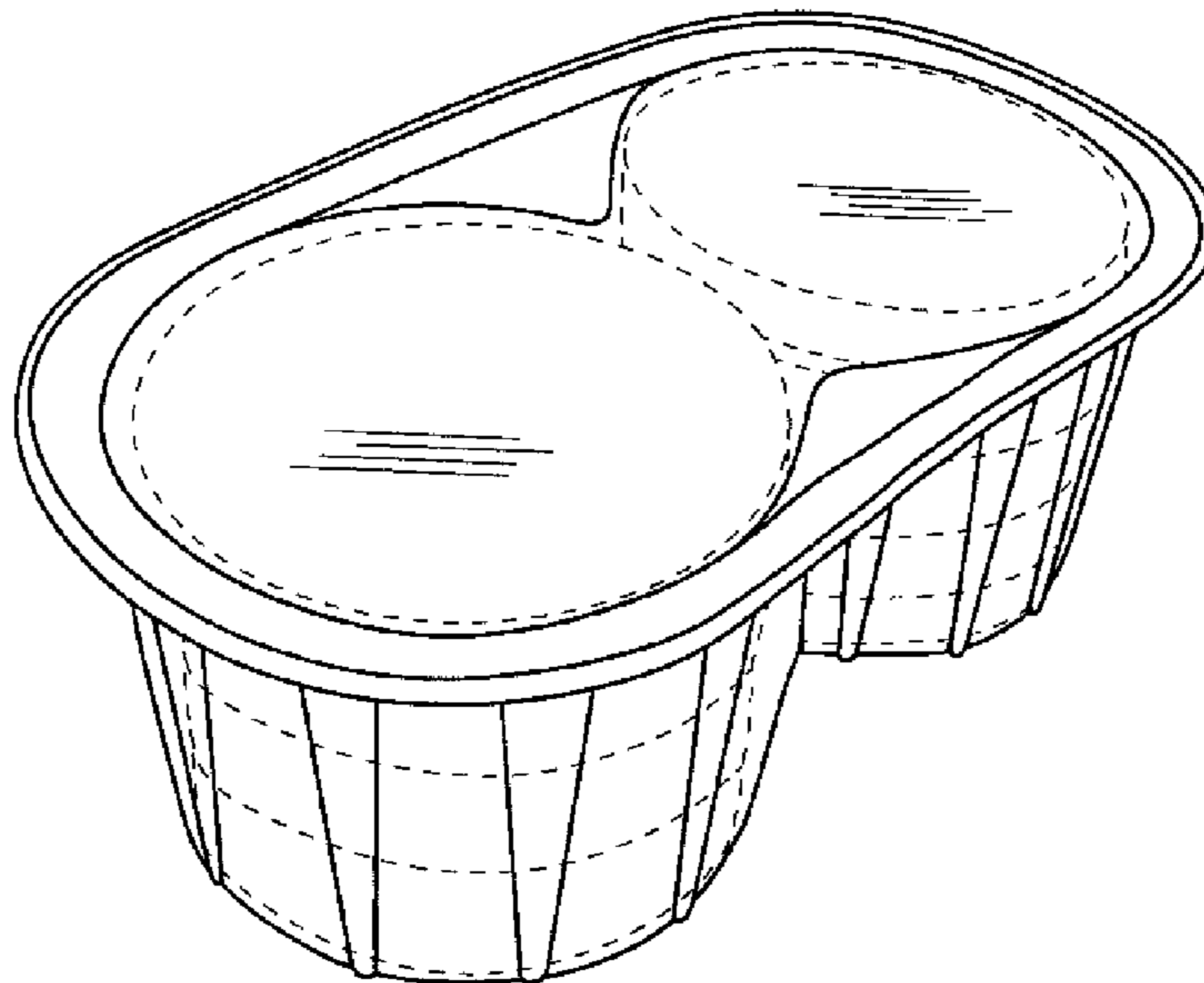
FIG. 6 is a rear view thereof.

FIG. 7 is a top plan view thereof; and,

FIG. 8 is a rear view thereof.

The broken line disclosure is for illustrative purposes only and forms no part of the claimed design.

1 Claim, 8 Drawing Sheets



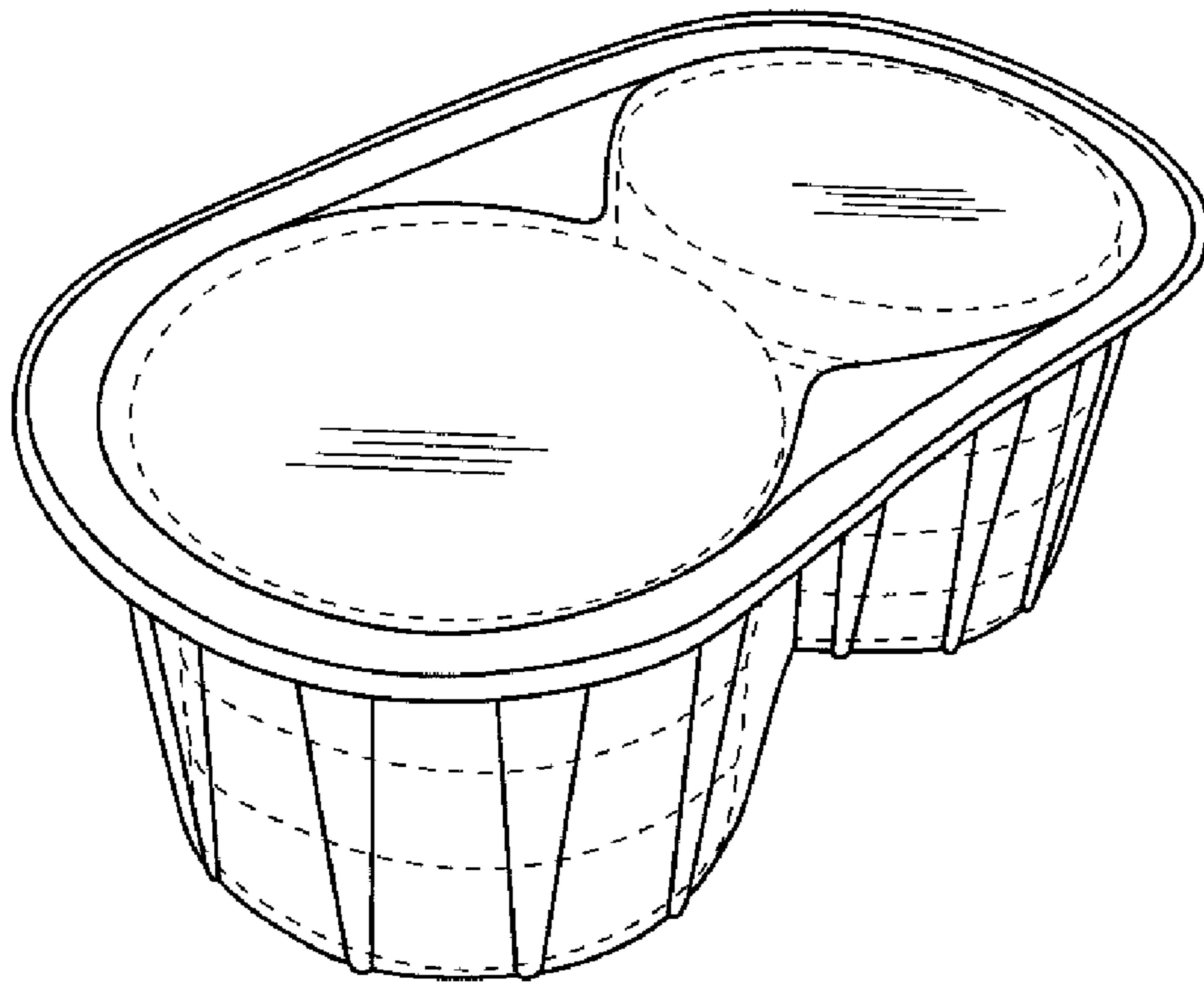


Fig. 1

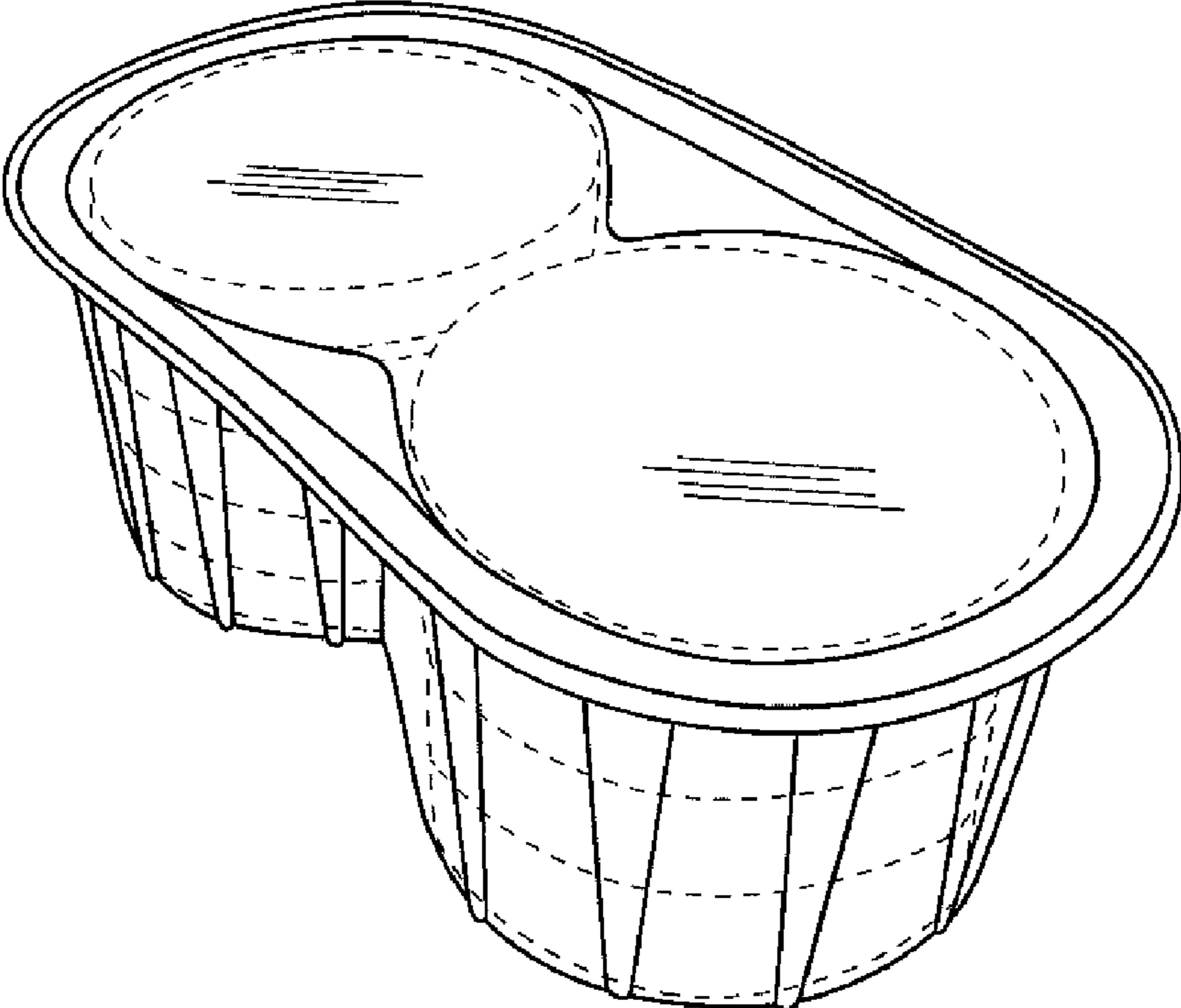


Fig. 2

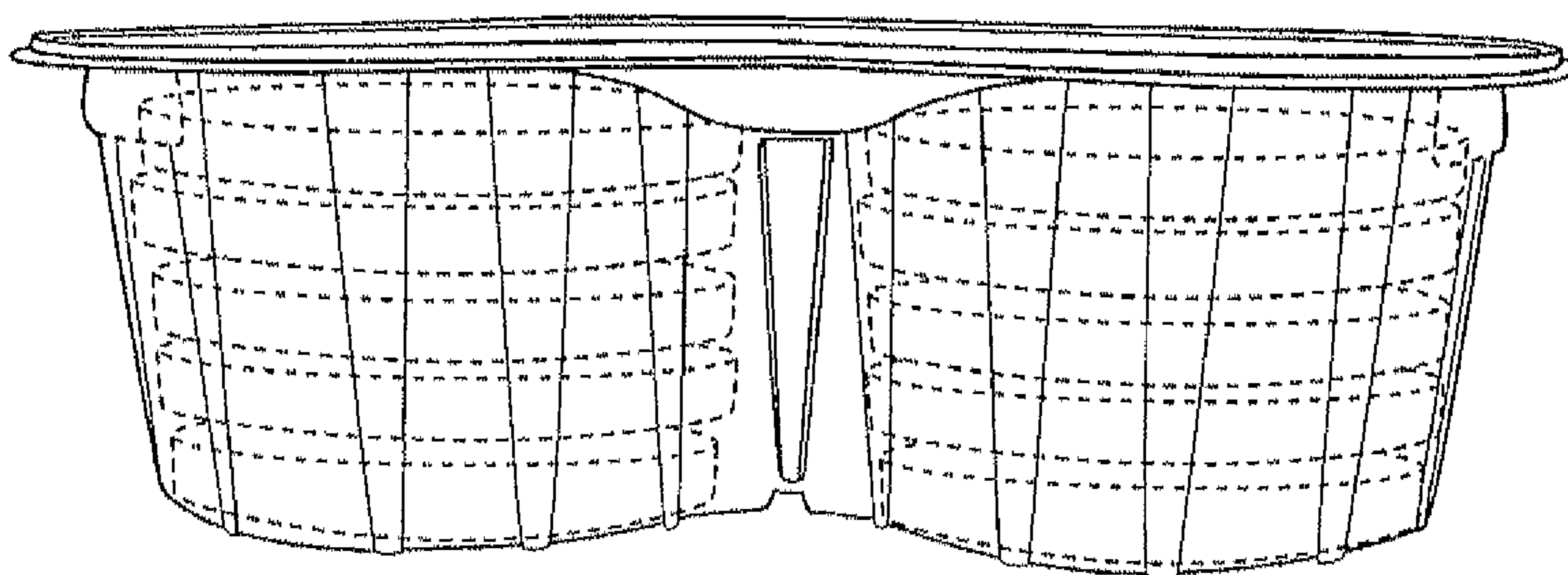


FIG. 3

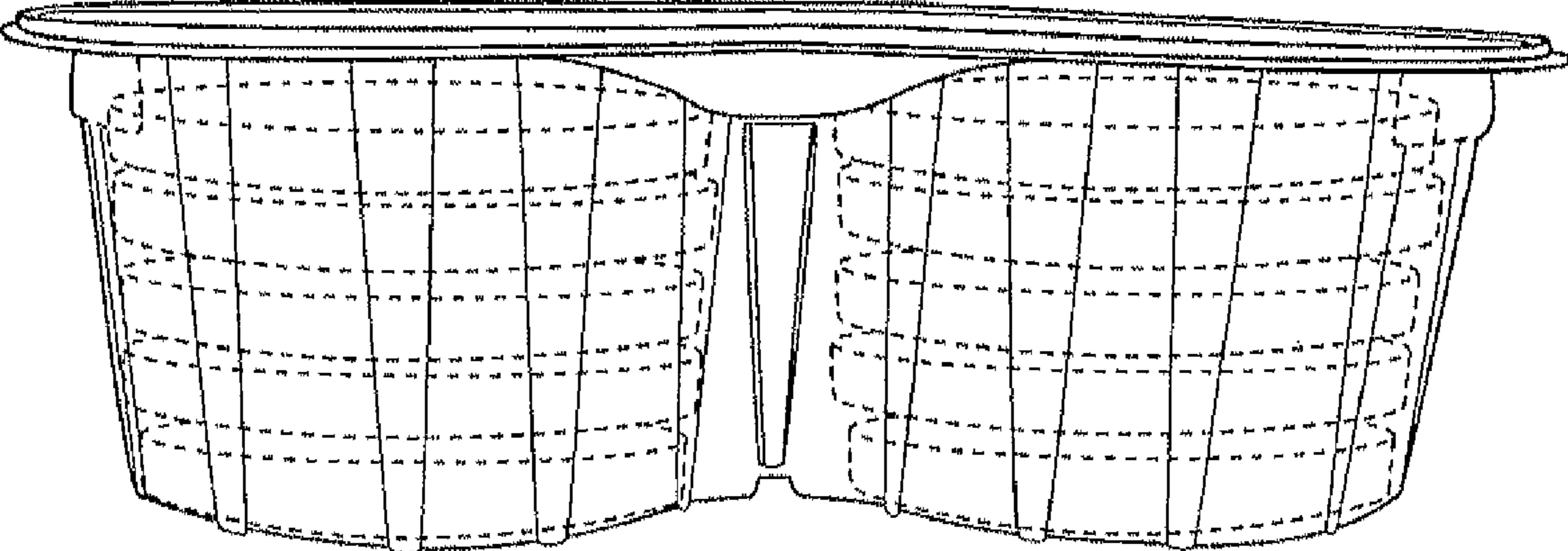


FIG. 4

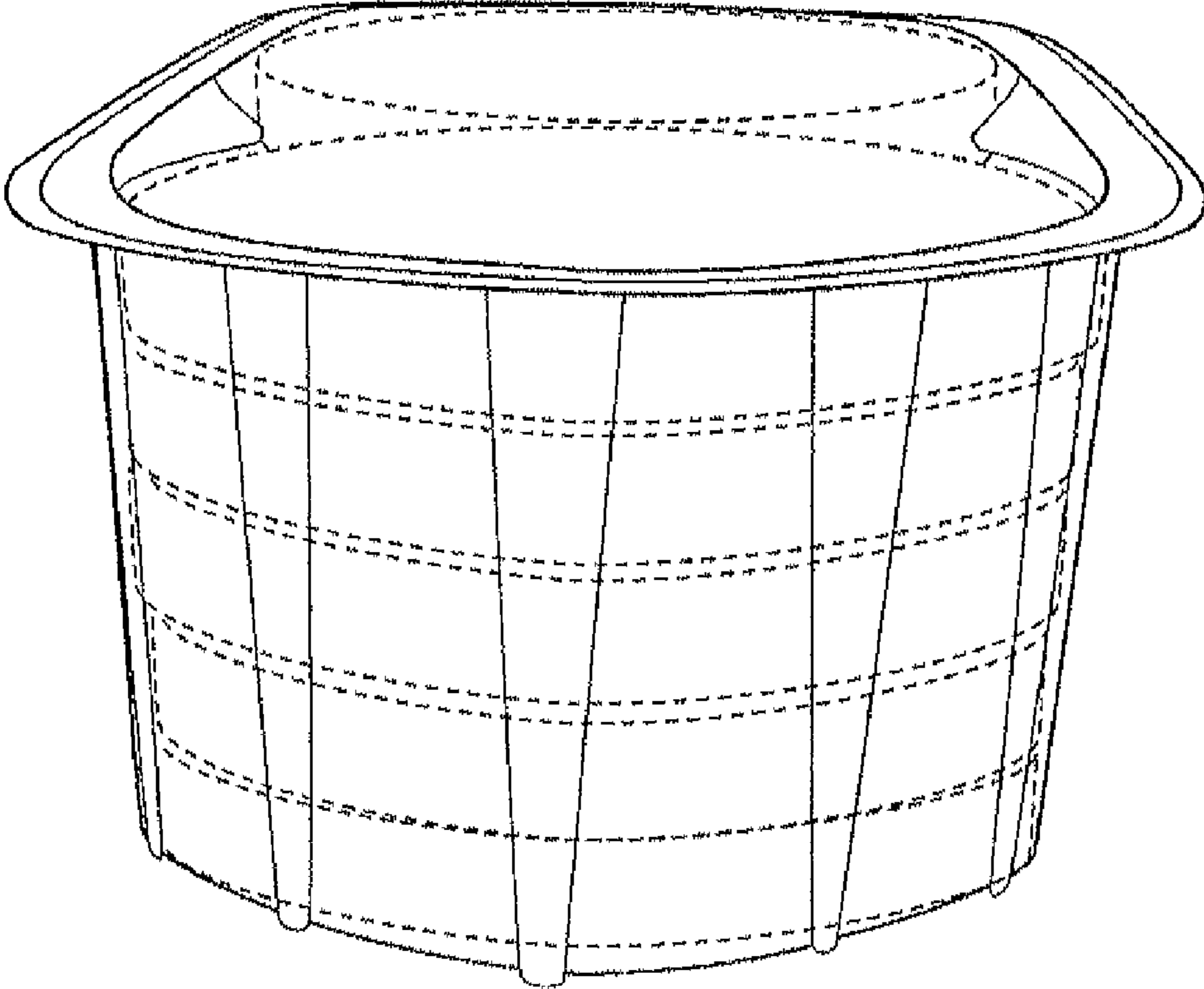


FIG. 5

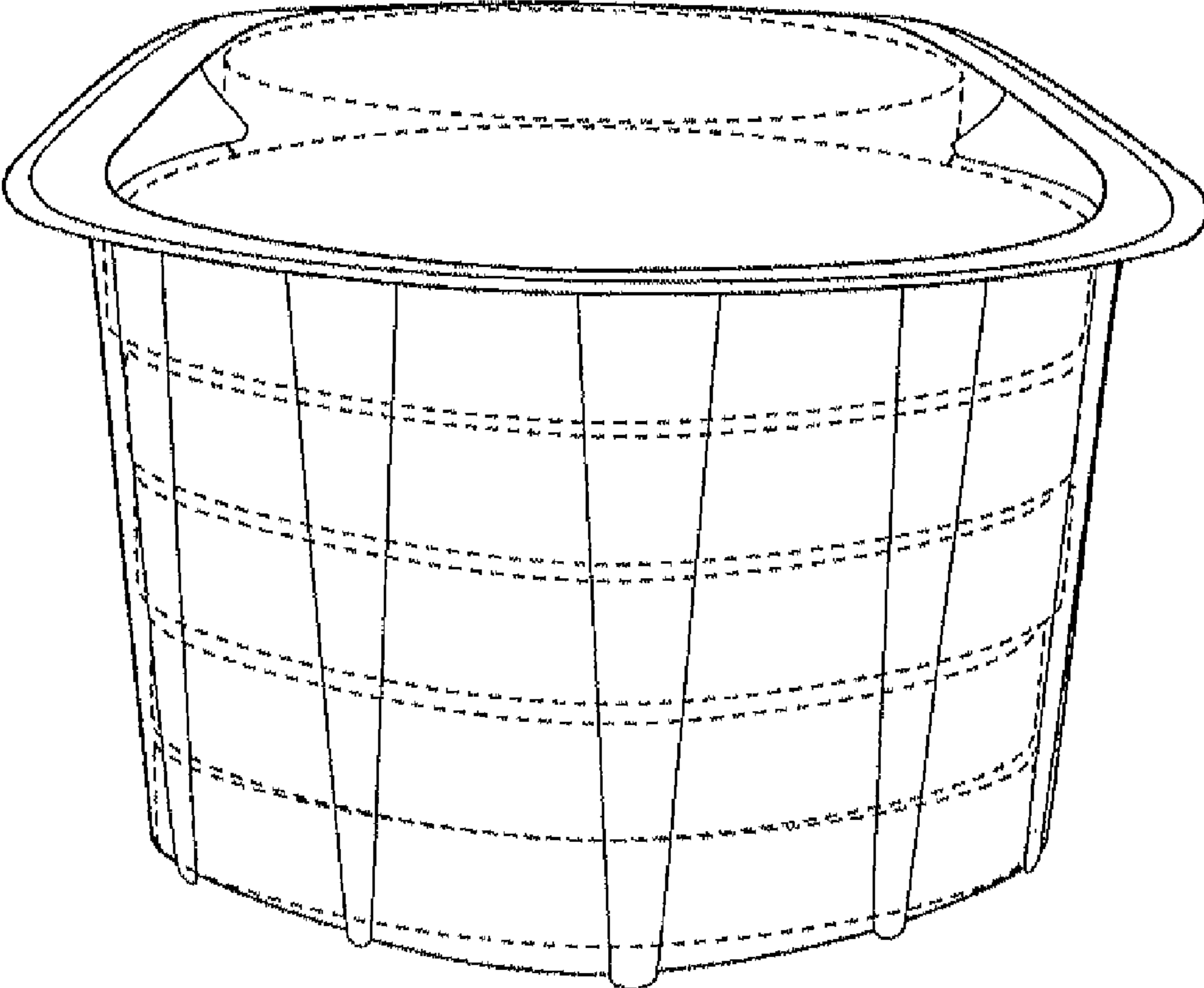


FIG. 6

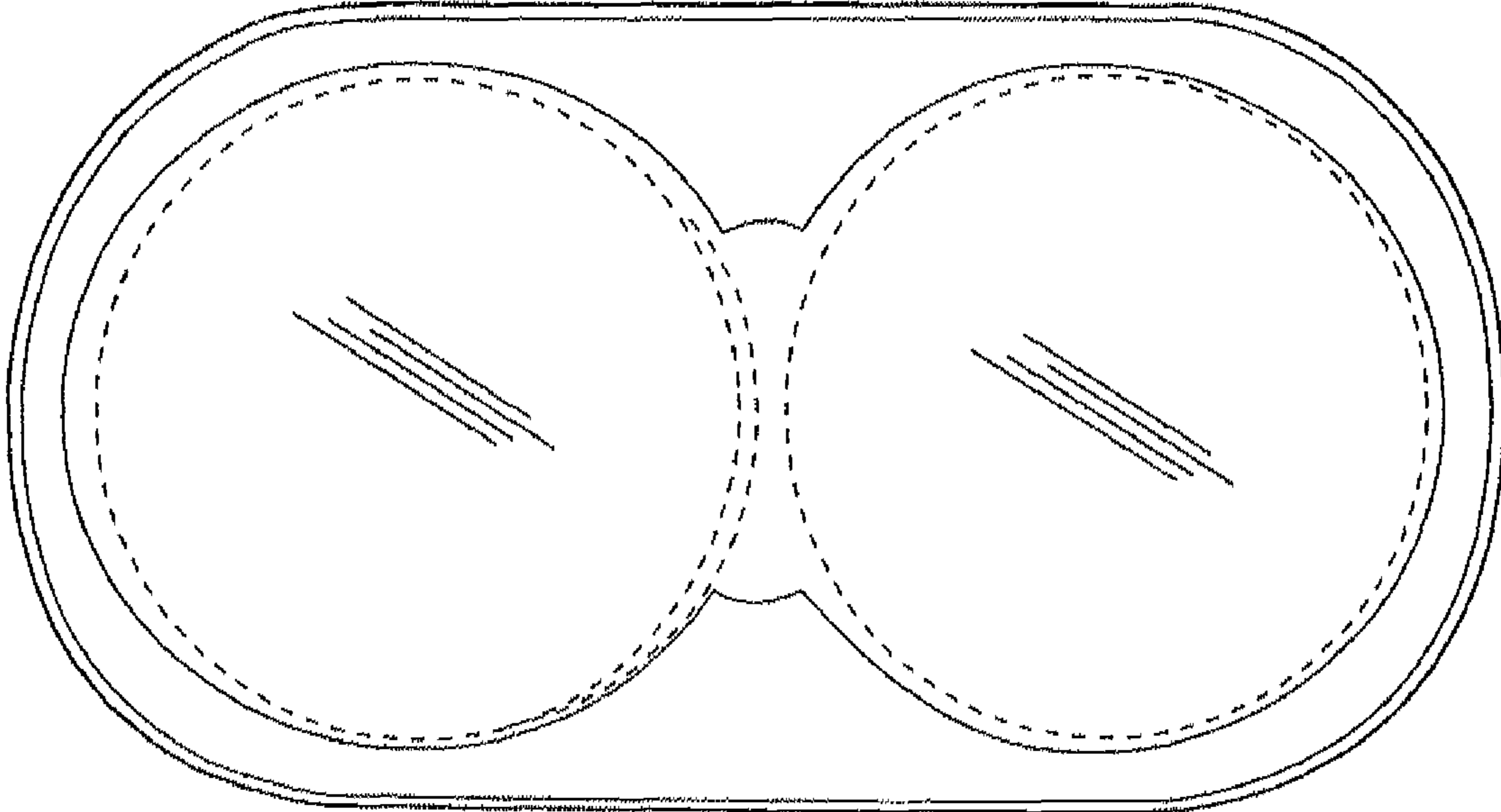


FIG. 7

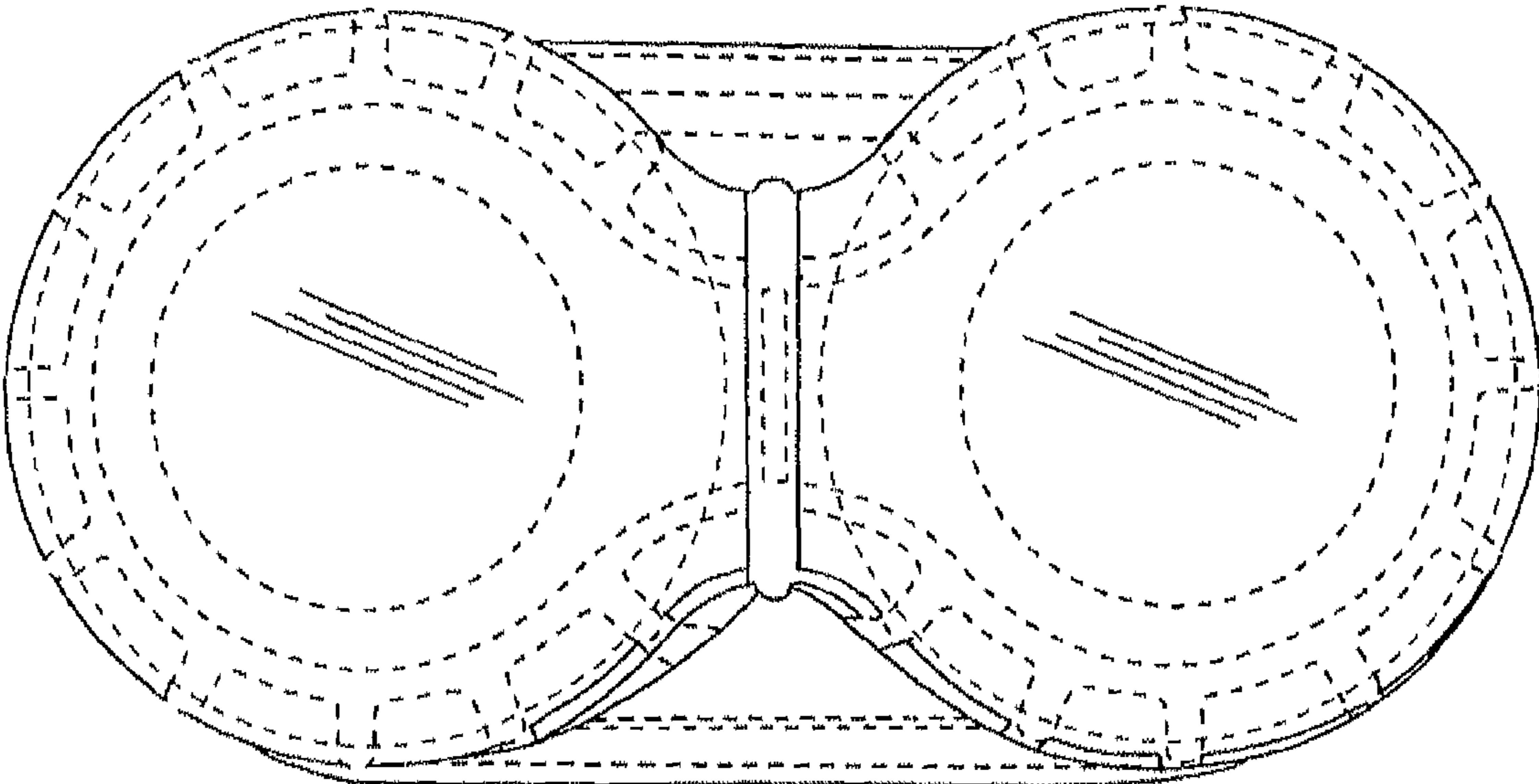


FIG. 8