



US00D655620S

(12) **United States Design Patent**
van Dulleman et al.

(10) **Patent No.:** **US D655,620 S**
(45) **Date of Patent:** **** Mar. 13, 2012**

(54) **COMBINED DISPENSER CONTAINER AND HANDLE FOR AN APPLICATOR**

5,738,682 A 4/1998 Jensma
D410,570 S * 6/1999 Lerolle D28/85
D422,505 S * 4/2000 Gavin D9/529

(Continued)

(75) Inventors: **Marlies van Dulleman**, Leiden (NL);
Marte den Hollander, Haarlem (NL);
Annemieke Westerink, Hengelo (NL)

Primary Examiner — Derrick Holland

(74) *Attorney, Agent, or Firm* — Baker Donelson Bearman
Caldwell & Berkowitz, PC

(73) Assignee: **Medtech Products, Inc.**, Irvington, NY
(US)

(57) **CLAIM**

The ornamental design for a combined dispenser container and handle for an applicator, as shown and described.

(**) Term: **14 Years**

DESCRIPTION

(21) Appl. No.: **29/351,586**

(22) Filed: **Dec. 8, 2009**

Related U.S. Application Data

(62) Division of application No. 29/299,379, filed on Dec. 24, 2007, now Pat. No. Des. 630,524.

(51) **LOC (9) Cl.** **09-01**

(52) **U.S. Cl.** **D9/723**

(58) **Field of Classification Search** D9/414,
D9/424, 448, 516, 529, 563, 571-574, 549,
D9/550, 558, 688, 723-727; D6/512, 515;
D3/201, 203.1, 203.5; D24/100, 107; D28/4,
D28/7, 9, 73, 76, 85, 89; D19/35, 36, 41,
D19/43, 45, 47, 51; 206/229, 385; 221/303,
221/312 R; 215/44, 45, 228, 902; 222/1,
222/71, 173, 566, 630, 631; 604/295; 606/204.25;
47/48.5

See application file for complete search history.

(56) **References Cited**

U.S. PATENT DOCUMENTS

D275,040 S * 8/1984 Holloway D28/76
4,865,028 A 9/1989 Swart
5,200,170 A 4/1993 McDow
5,330,745 A 7/1994 McDow
D350,896 S * 9/1994 Lang et al. D9/727
D353,333 S * 12/1994 McIlvain D9/529
5,516,505 A 5/1996 McDow

FIG. 1 is an exploded in perspective view of a combined dispenser container and handle for an applicator showing our new design;

FIG. 2 is a top plan view of the dispensing container;

FIG. 3 is a bottom plan view thereof;

FIG. 4 is a side elevational view thereof, taken along line 4-4 of FIG. 2;

FIG. 5 is a side elevational view thereof, taken along line 5-5 of FIG. 2;

FIG. 6 is a side elevational view thereof, taken along line 6-6 of FIG. 2;

FIG. 7 is a top plan view of the handle of the combined dispenser container and handle for an applicator;

FIG. 8 is a bottom view thereof;

FIG. 9 is a side elevational view thereof, taken along line 9-9 of FIG. 8;

FIG. 10 is a side elevational view thereof, taken along line 10-10 of FIG. 8;

FIG. 11 is a side elevational view thereof, taken along line 11-11 of FIG. 8.

FIG. 12 is an exploded perspective view of the combined dispenser container and handle for an applicator shown in environmental use; and,

FIG. 13 is a perspective view thereof, with the handle shown connected to the dispenser container.

The broken lines shown represent unclaimed subject matter and form no part of the claimed design.

1 Claim, 4 Drawing Sheets



US D655,620 S

Page 2

U.S. PATENT DOCUMENTS

D425,256	S *	5/2000	Gavin	D28/85	D485,183	S *	1/2004	Lerolle	D9/503
6,092,527	A	7/2000	Jensma			6,773,187	B2	8/2004	Gueret		
6,113,008	A	9/2000	Arsenault et al.			6,866,437	B2	3/2005	Gueret		
D432,721	S *	10/2000	Lerolle	D28/76	6,942,412	B2	9/2005	Gueret		
D440,015	S *	4/2001	Lerolle	D28/76	6,945,723	B1	9/2005	Gueret		
D441,916	S *	5/2001	Faillant-Dumas	D28/88	D521,385	S *	5/2006	Priestman	D9/529
6,296,410	B1	10/2001	Ruizendaal			7,066,674	B2	6/2006	Gueret		
6,309,124	B1	10/2001	Gueret			D534,433	S *	1/2007	Chadfield	D9/723
6,334,727	B1	1/2002	Gueret			7,156,572	B2	1/2007	Gueret		
6,347,899	B1	2/2002	Vierboom			2001/0031168	A1	10/2001	Gueret		
6,387,090	B1	5/2002	Jensma			2005/0043723	A1	2/2005	Howiett		
D477,216	S *	7/2003	Gronwall	D9/727	2006/0116670	A1	6/2006	Scott		
6,634,821	B2	10/2003	Gueret								

* cited by examiner

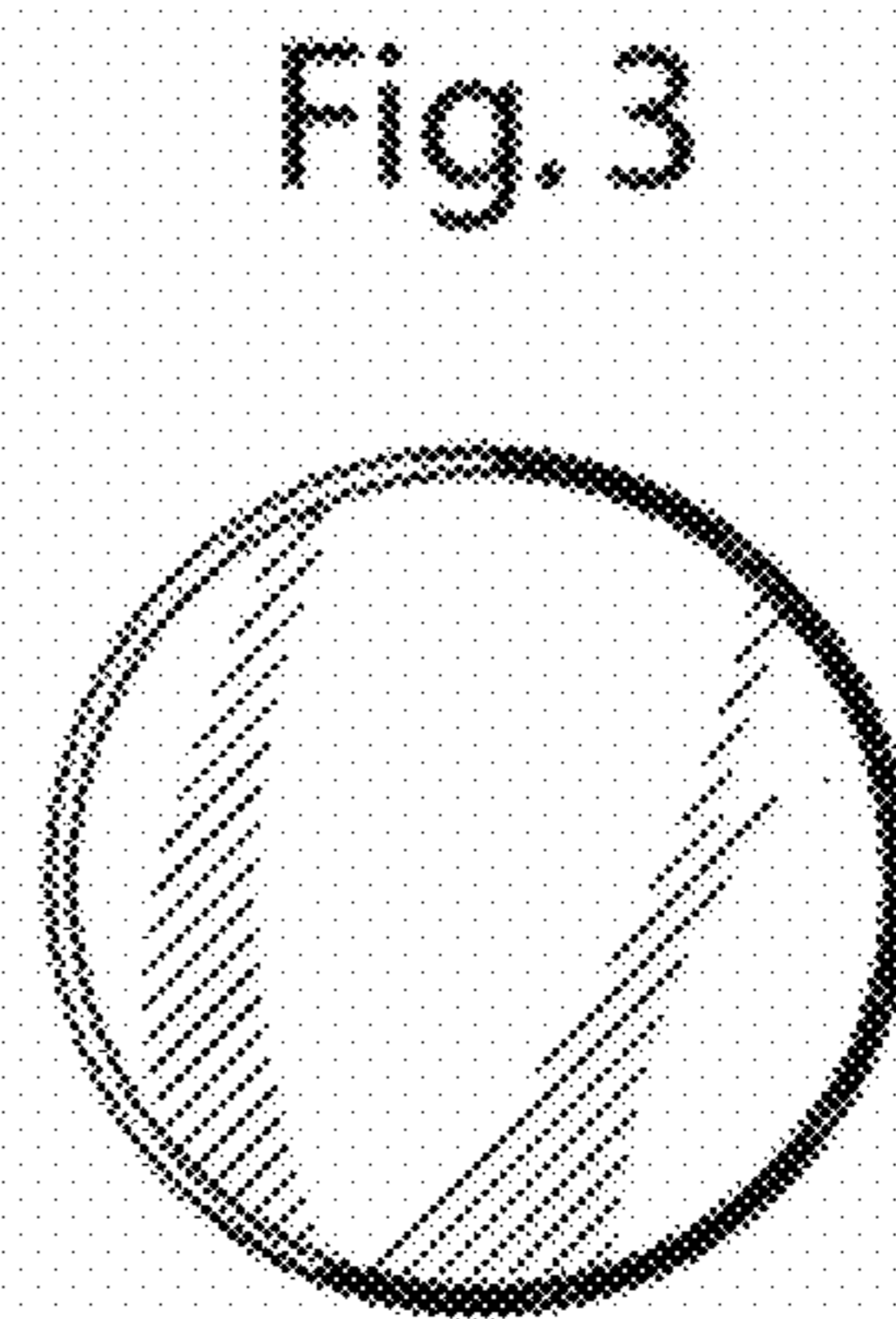
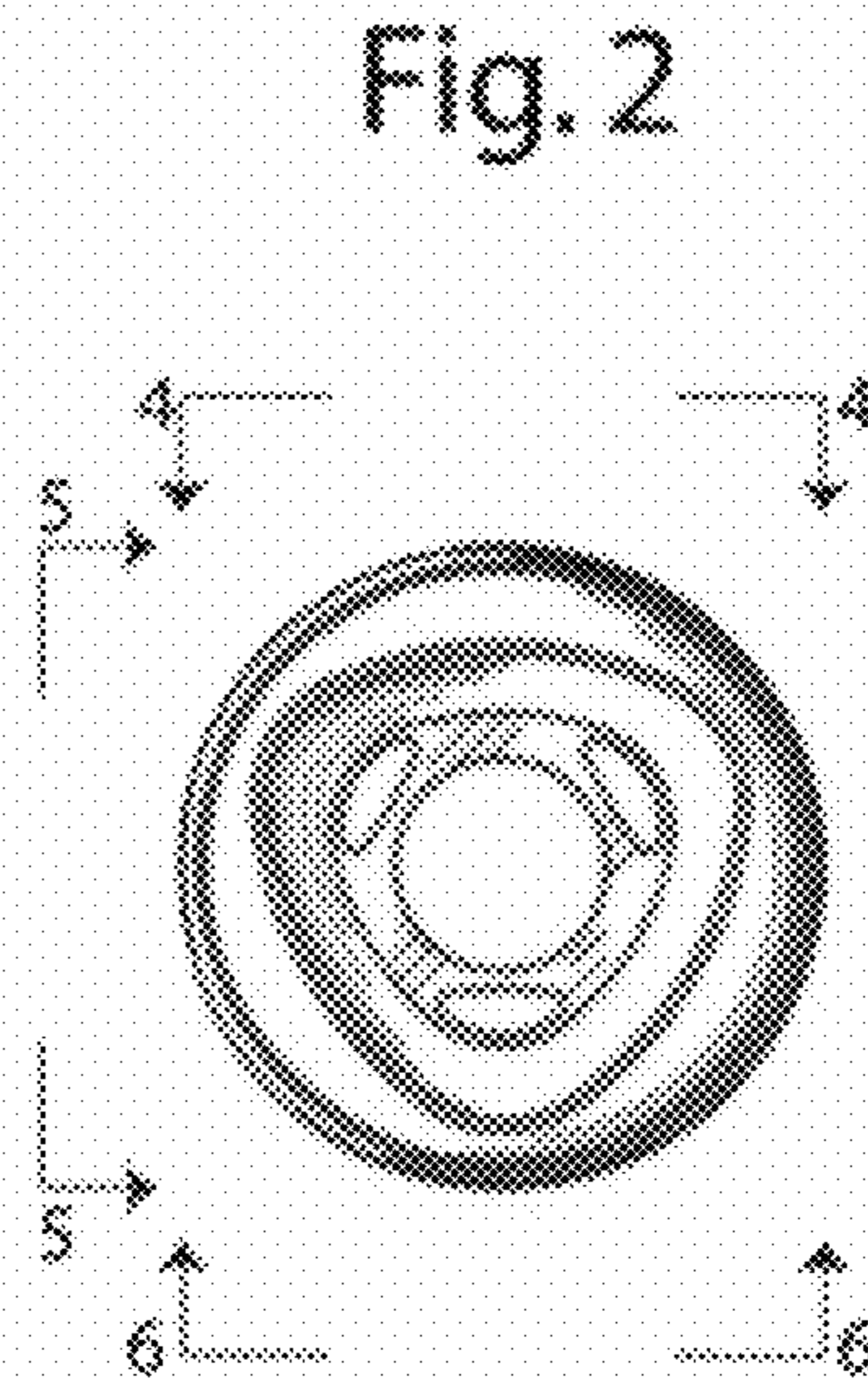
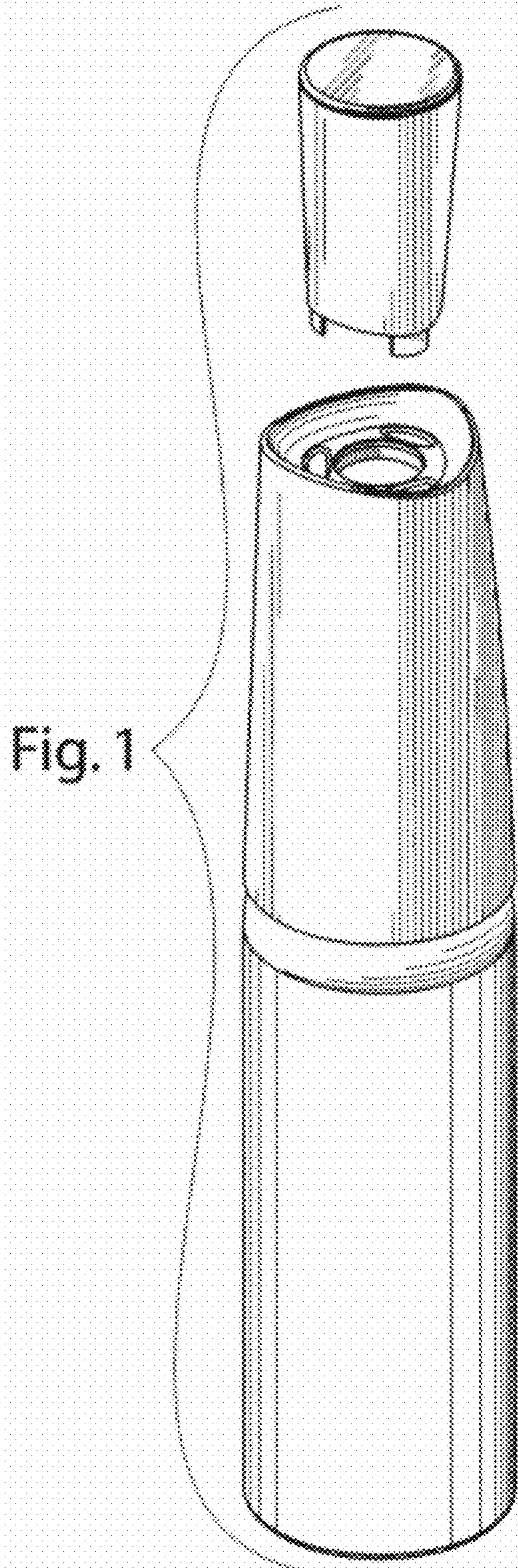


Fig. 4

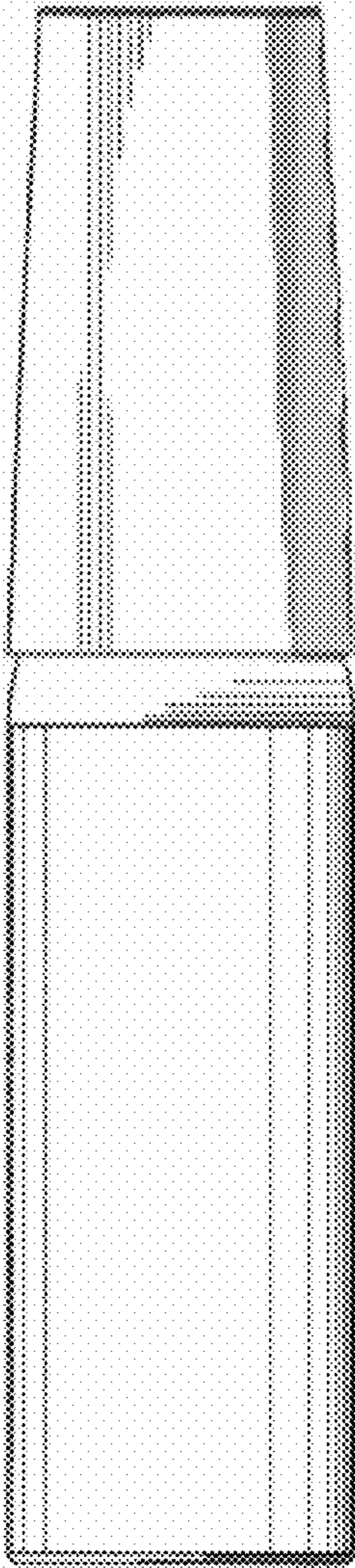


Fig. 5

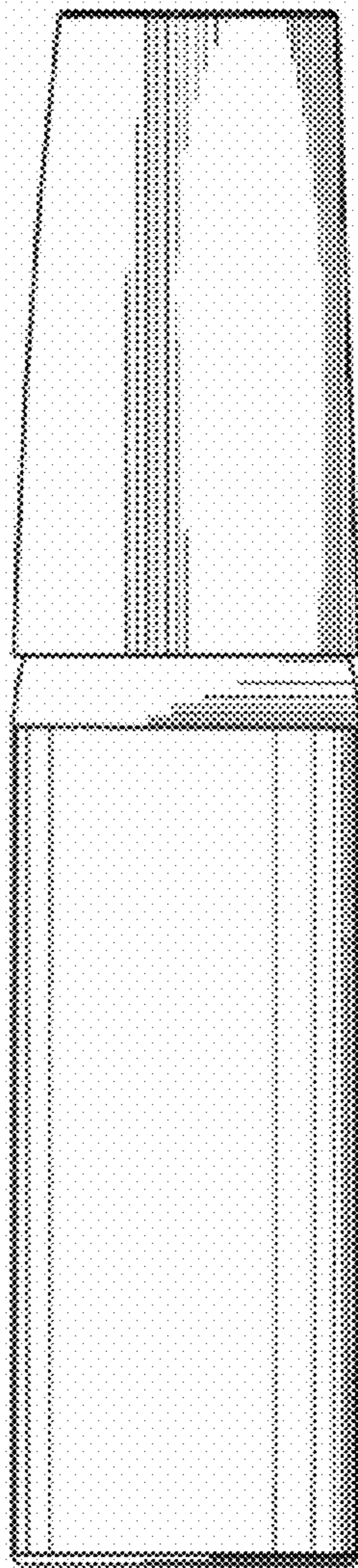


Fig. 6

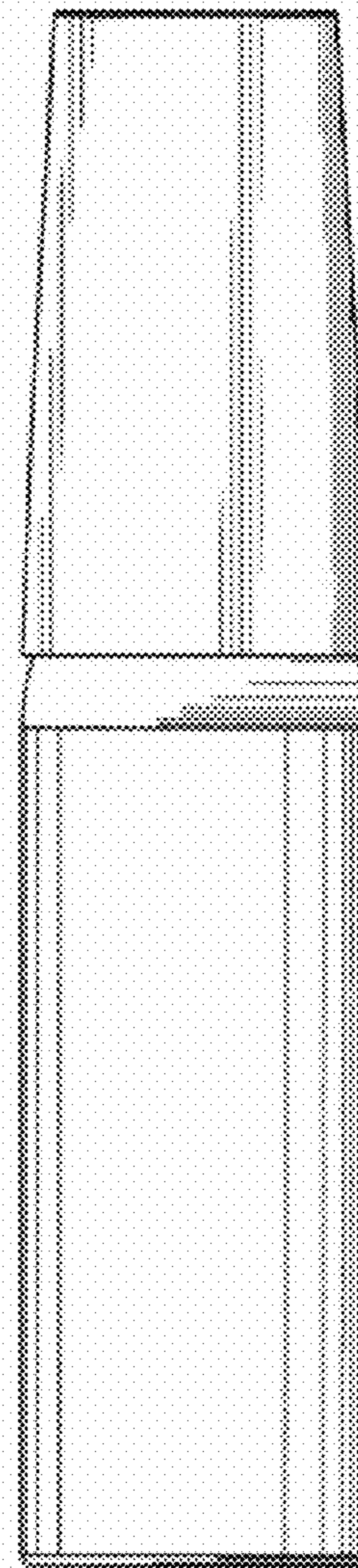


Fig. 7

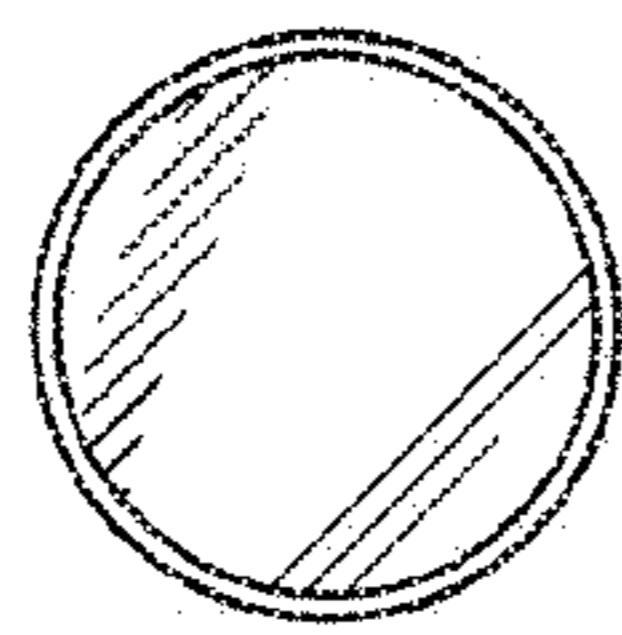


Fig. 8

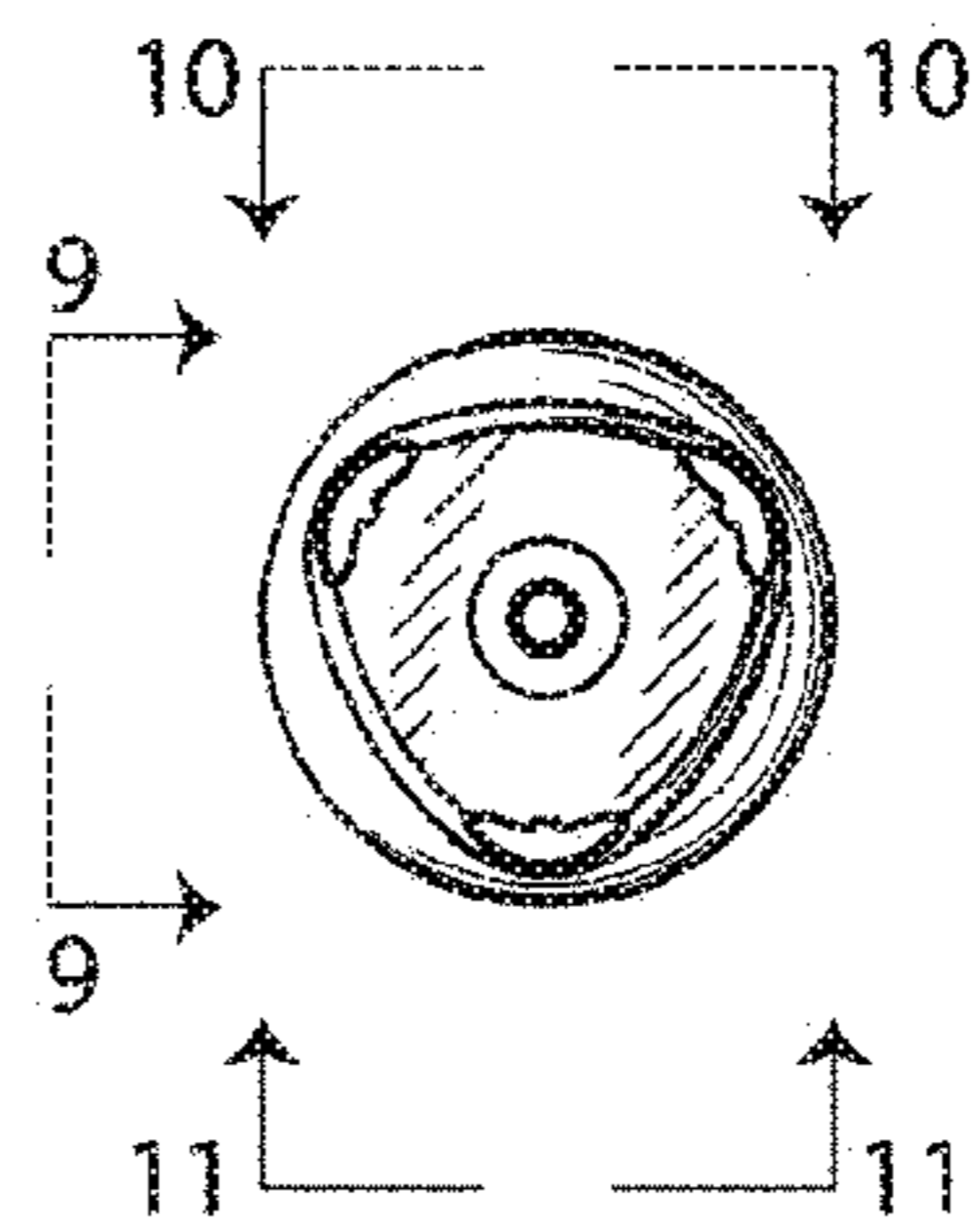


Fig. 9

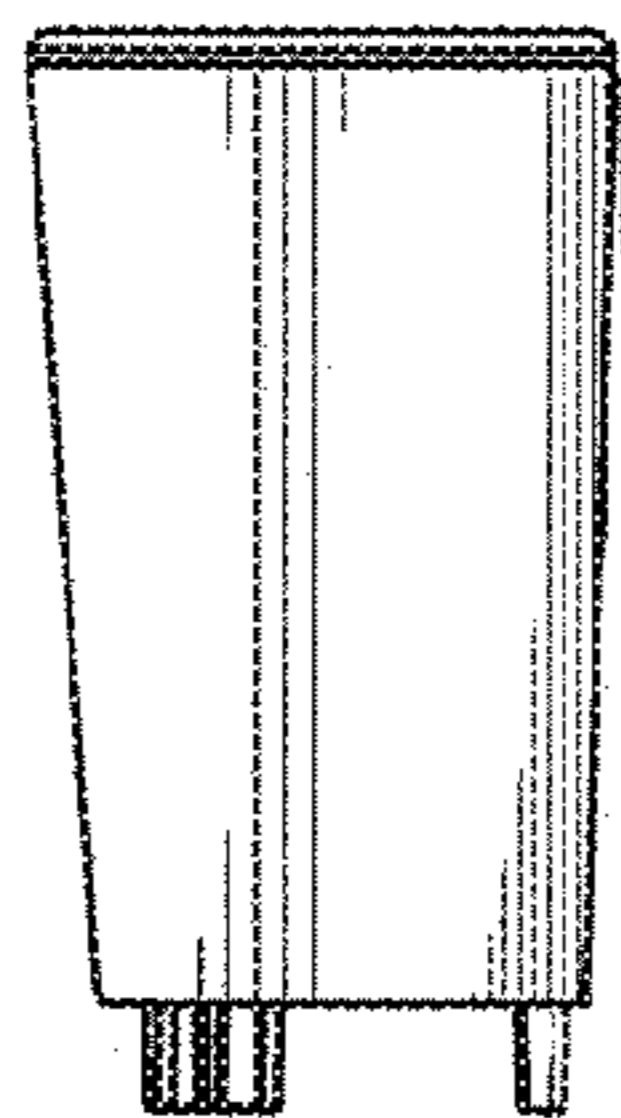


Fig. 10

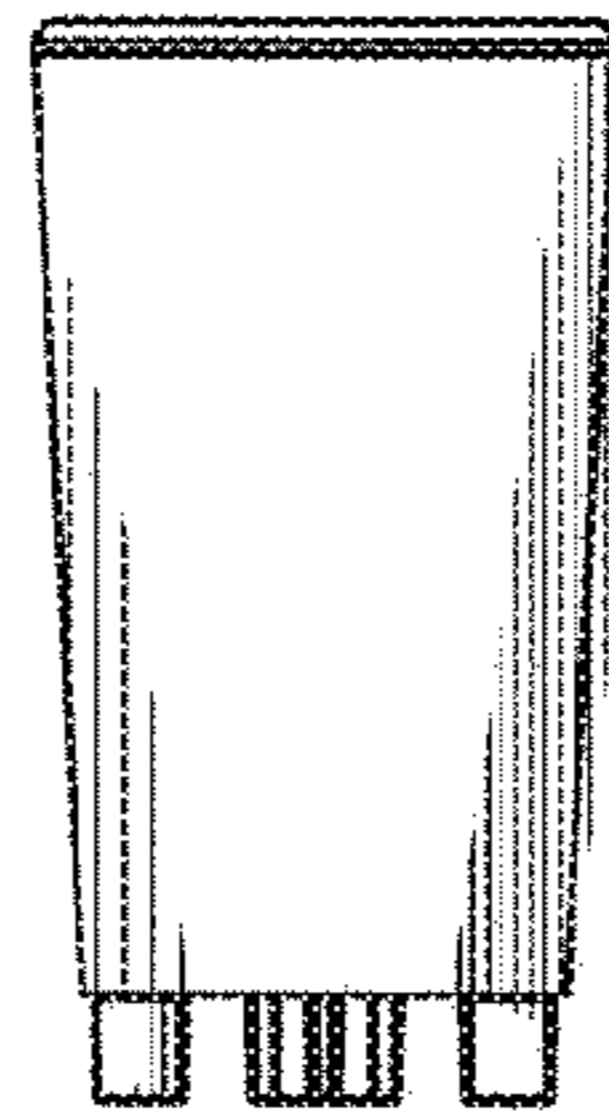
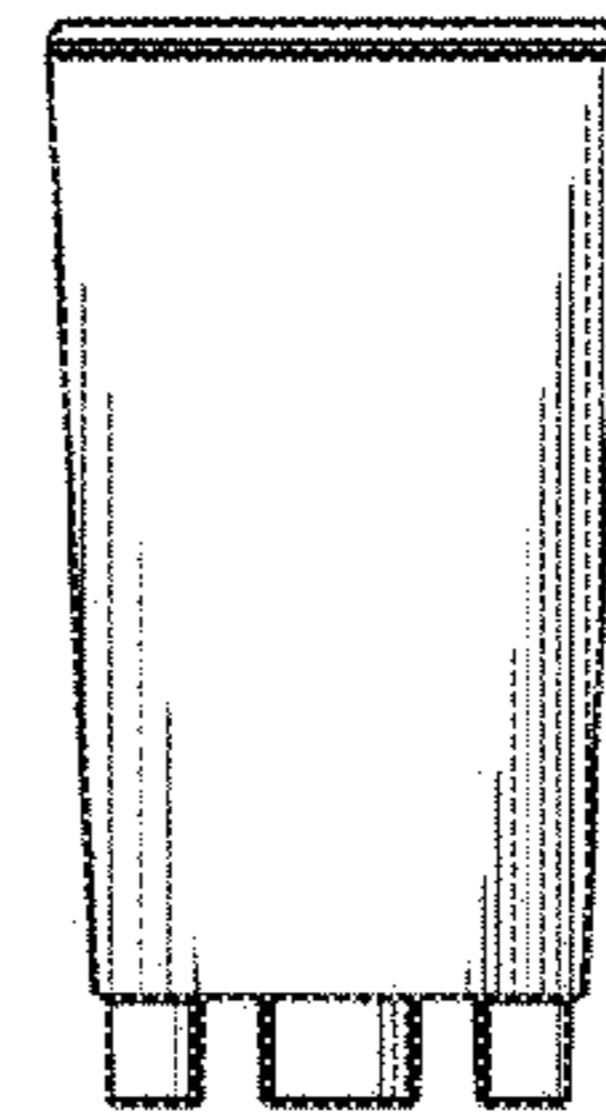


Fig. 11



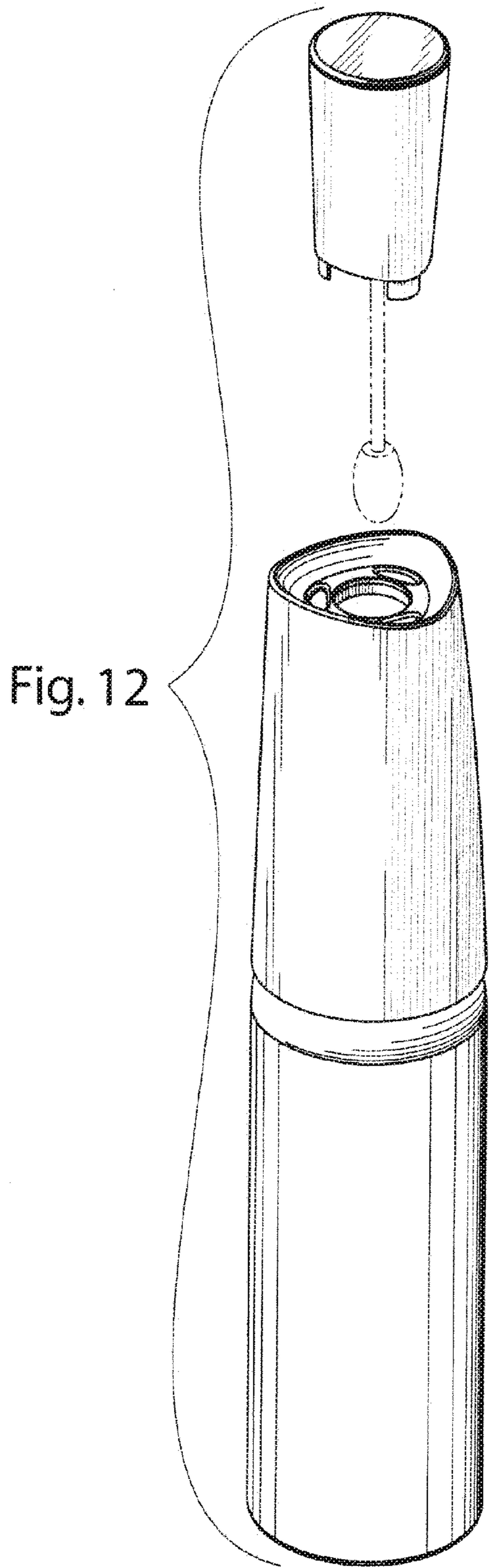


Fig. 13

