



US00D655618S

(12) **United States Design Patent**  
**Oates et al.**

(10) **Patent No.:** **US D655,618 S**  
(45) **Date of Patent:** **\*\* Mar. 13, 2012**

(54) **CONTAINER WITH PUMP**

(75) Inventors: **Benjamin Phalan Oates**, Tunbridge Wells (GB); **Neil John Smith**, Wirral (GB)

(73) Assignee: **Conopco, Inc.**, Englewood Cliffs, NJ (US)

(\*\*) Term: **14 Years**

(21) Appl. No.: **29/386,987**

(22) Filed: **Mar. 8, 2011**

(30) **Foreign Application Priority Data**

Sep. 15, 2010 (EM) ..... 001755232-0001

(51) **LOC (9) Cl.** ..... **09-01**

(52) **U.S. Cl.** ..... **D9/690**

(58) **Field of Classification Search** ..... D9/682-694, D9/516-575, 435, 436, 447-450; 222/129, 222/135, 153.01, 153.03, 153.04, 153.09, 222/153.11-153.14, 182, 631, 635, 209, 222/211-213, 215, 321.7-321.9, 372, 373, 222/378, 379, 383.1, 384-386, 398, 400.7, 222/400.8, 401, 402.1-402.25; 215/379-384, 215/376-378, 386, 395; 220/669-675, 23.91, 220/601, 628, 630, 633, 638, 660, 661, 676, 220/694, 737, 742

See application file for complete search history.

(56) **References Cited**

**U.S. PATENT DOCUMENTS**

D96,814 S \* 9/1935 Canaday ..... D9/445  
D377,755 S \* 2/1997 Kotyuk et al. .... D9/682  
D379,429 S \* 5/1997 Weiss et al. .... D9/688  
6,053,363 A \* 4/2000 Revenu ..... 222/82  
D437,224 S \* 2/2001 Brozell ..... D9/448  
D445,037 S \* 7/2001 Kokenge et al. .... D9/571  
D472,152 S \* 3/2003 Joubert ..... D9/529  
D492,604 S \* 7/2004 Bakic ..... D9/552

D542,148 S \* 5/2007 Boucher ..... D9/682  
D558,591 S \* 1/2008 Blasko et al. .... D9/691  
D584,961 S \* 1/2009 Yakoby ..... D9/690  
D601,429 S \* 10/2009 Handy ..... D9/545  
D609,099 S \* 2/2010 Oates ..... D9/522

**FOREIGN PATENT DOCUMENTS**

CN 3625597 \* 3/2007  
CN 300867043 \* 12/2008  
KR 300481562.0000 \* 2/2008  
KR 300518087.0000 \* 1/2009

**OTHER PUBLICATIONS**

Co-pending application for Oates et al., U.S. Appl. No. 29/386,989, filed Mar. 8, 2011 for Bottle with Pump.  
Co-pending application for Oates et al., U.S. Appl. No. 29/386,991, filed Mar. 8, 2011 for Bottle with Pump.  
Co-pending application for Oates et al., U.S. Appl. No. 29/386,992, filed Mar. 8, 2011 for Part of Bottle.  
Co-pending application for Oates et al., U.S. Appl. No. 29/386,993, filed Mar. 8, 2011 for Container Cover.  
Co-pending application for Oates et al., U.S. Appl. No. 29/386,995, filed Mar. 8, 2011 for Part of Container.

\* cited by examiner

*Primary Examiner* — Catherine Tuttle

(74) *Attorney, Agent, or Firm* — Ronald A. Koatz

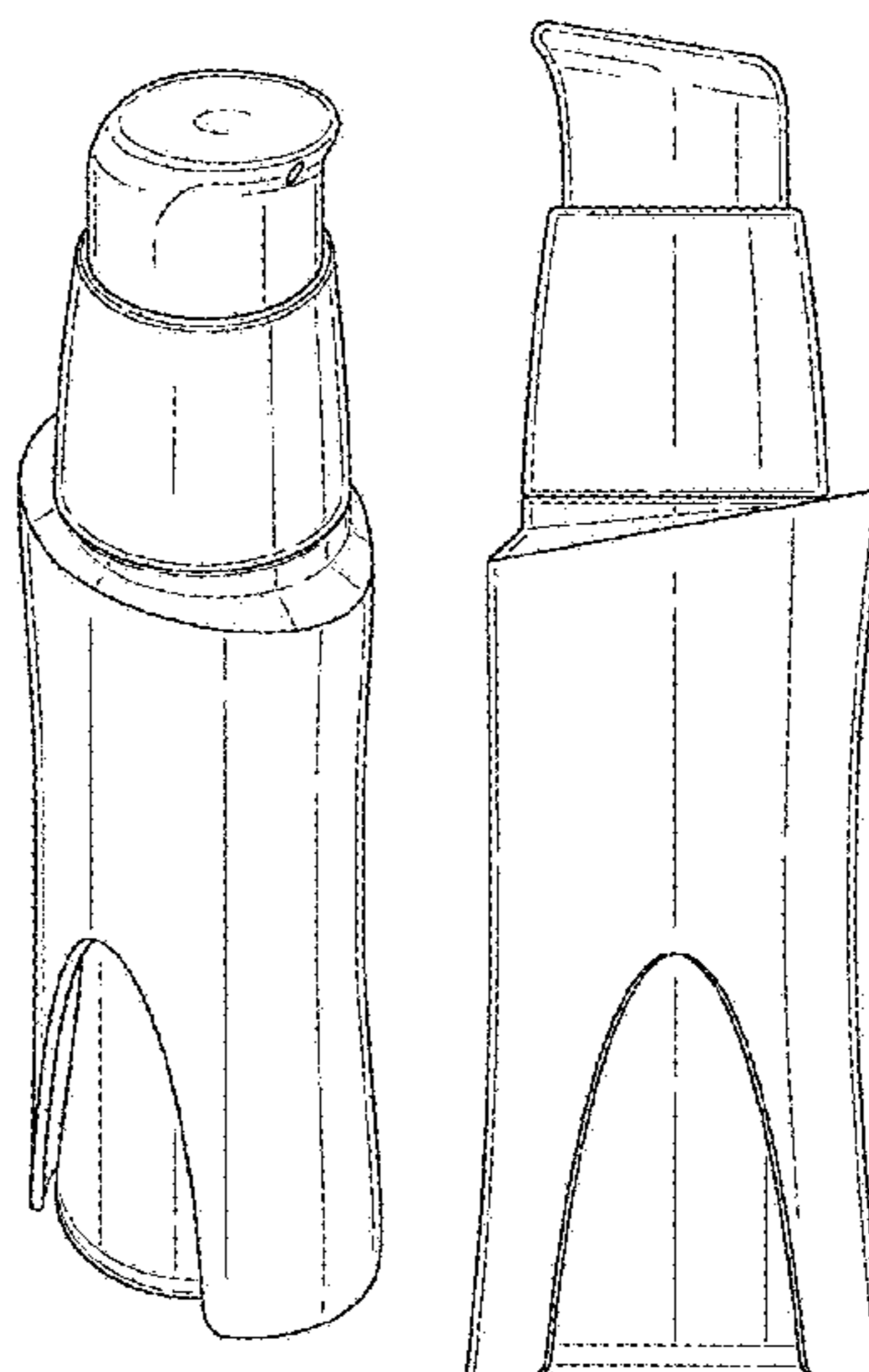
(57) **CLAIM**

The ornamental design for a container with pump, as shown and described.

**DESCRIPTION**

FIG. 1 is a top, front and side perspective view of a container with pump showing our new design;  
FIG. 2 is a front elevational view thereof;  
FIG. 3 is a rear elevational view thereof;  
FIG. 4 is a right side elevational view thereof;  
FIG. 5 is a left side elevational view;  
FIG. 6 is a top plan view thereof; and,  
FIG. 7 is a bottom plan view thereof.

**1 Claim, 3 Drawing Sheets**



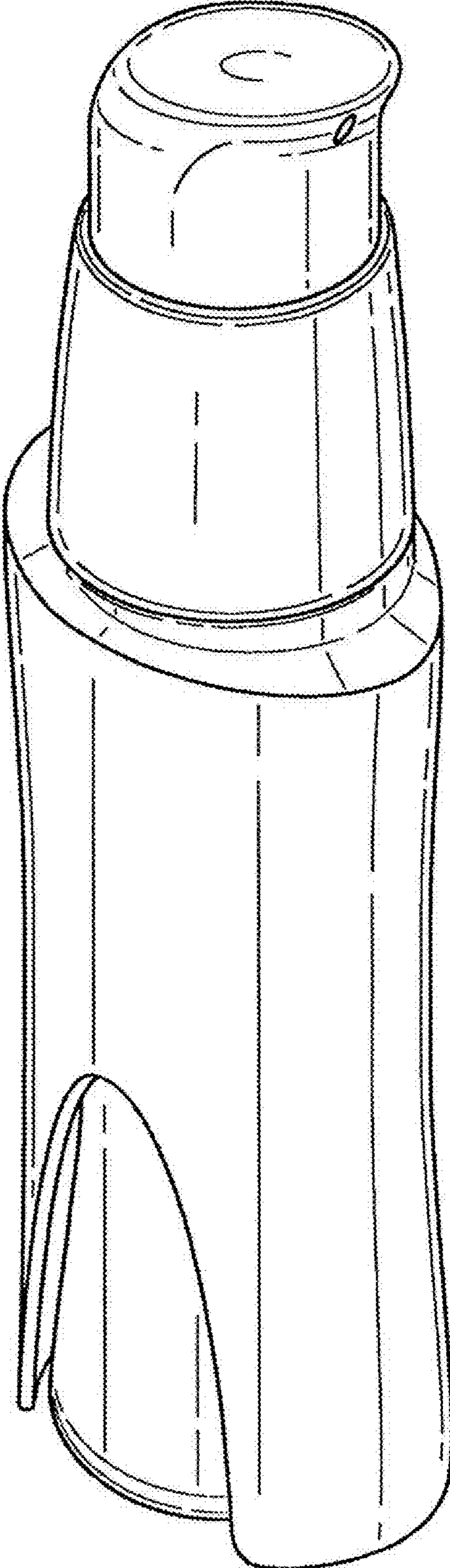


Fig. 1.

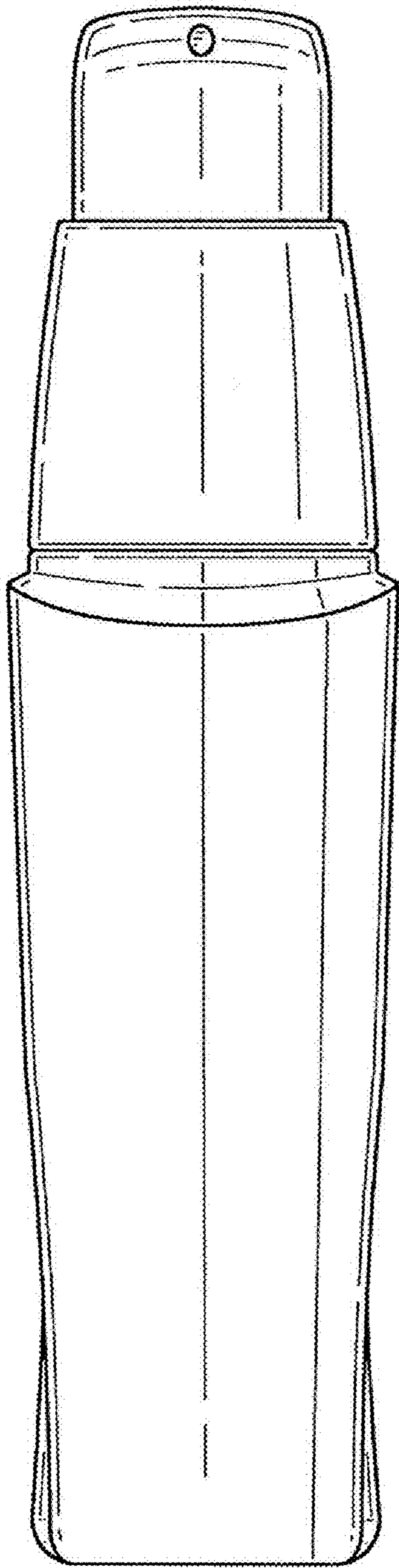


Fig.2.

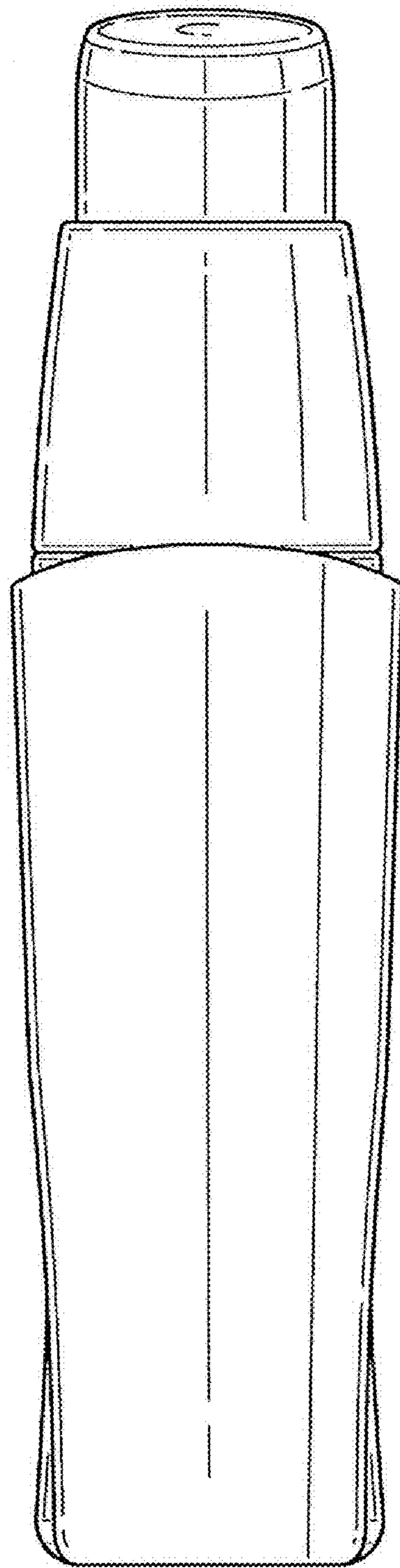


Fig.3.



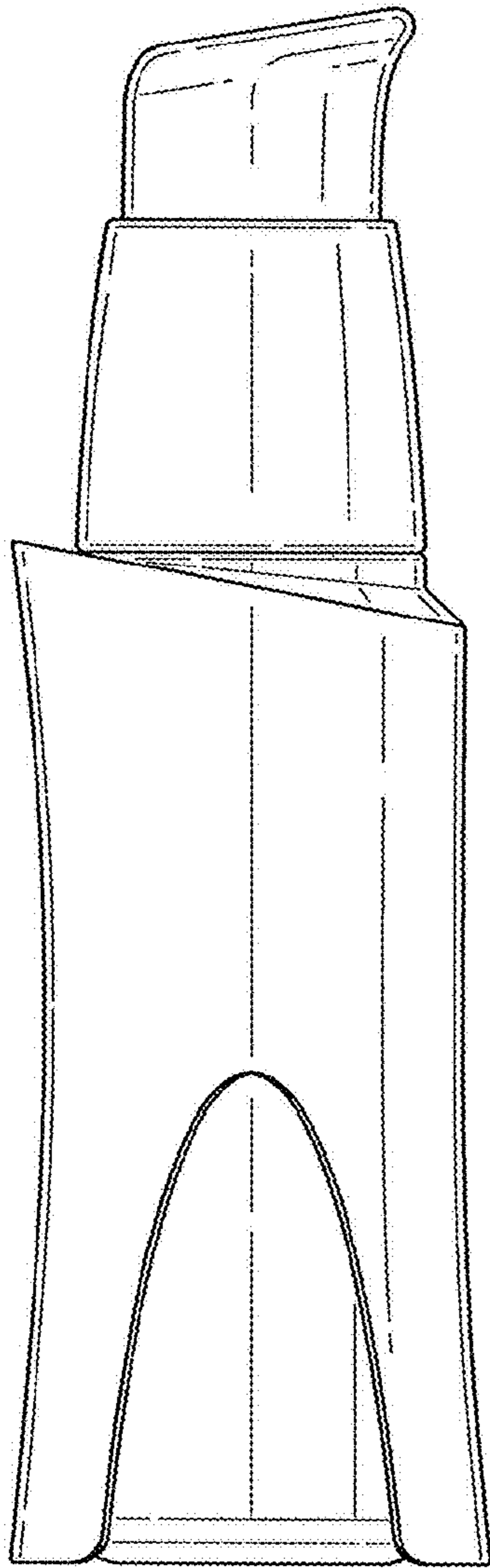


Fig. 4.

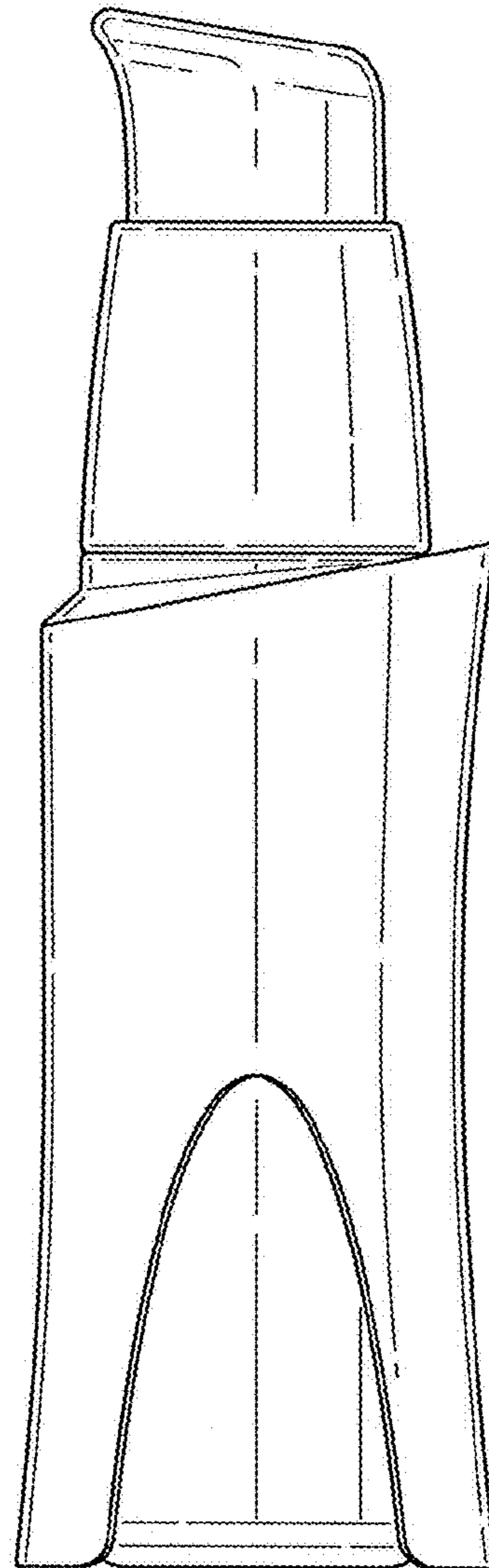


Fig. 5.

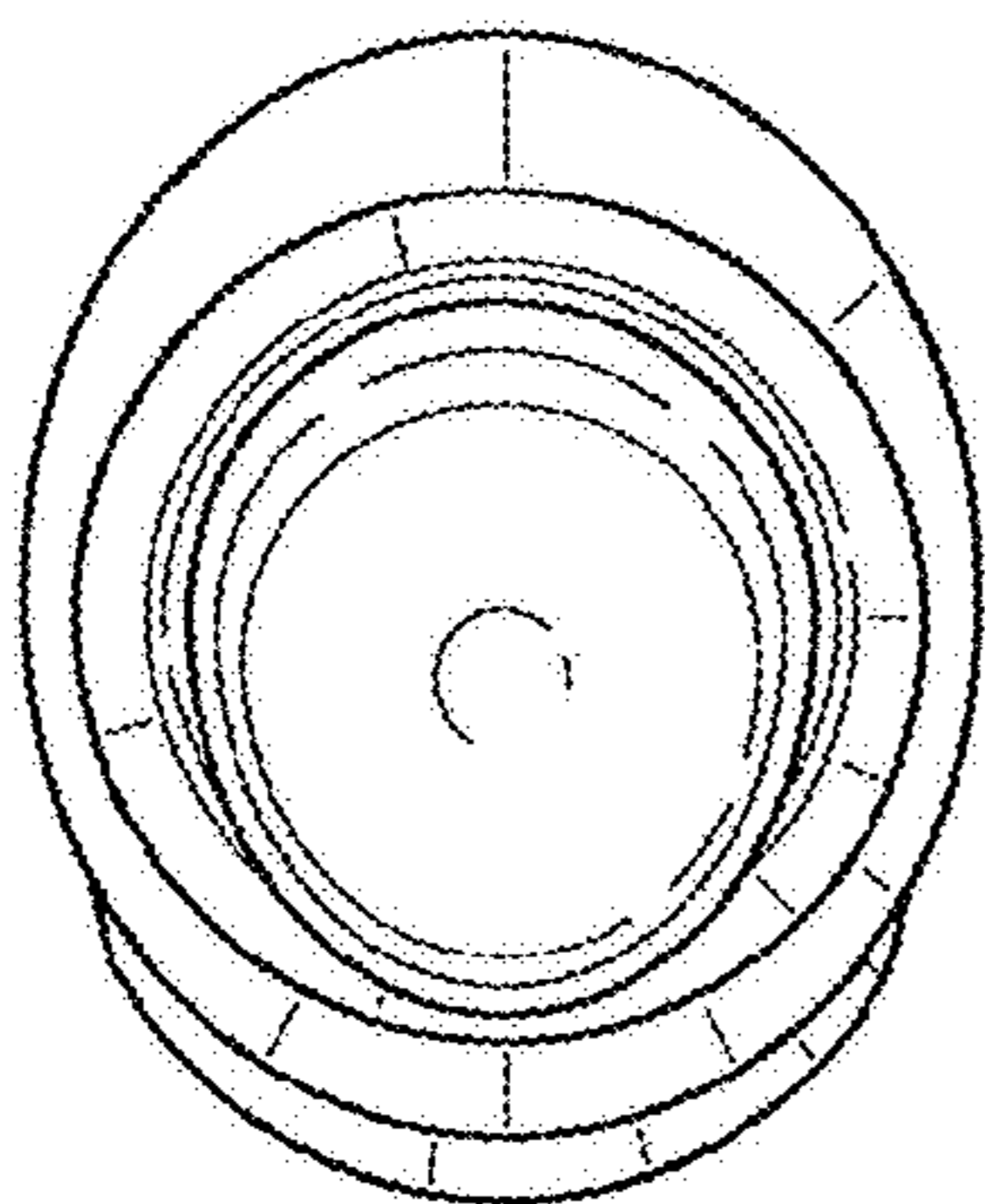


Fig. 6.

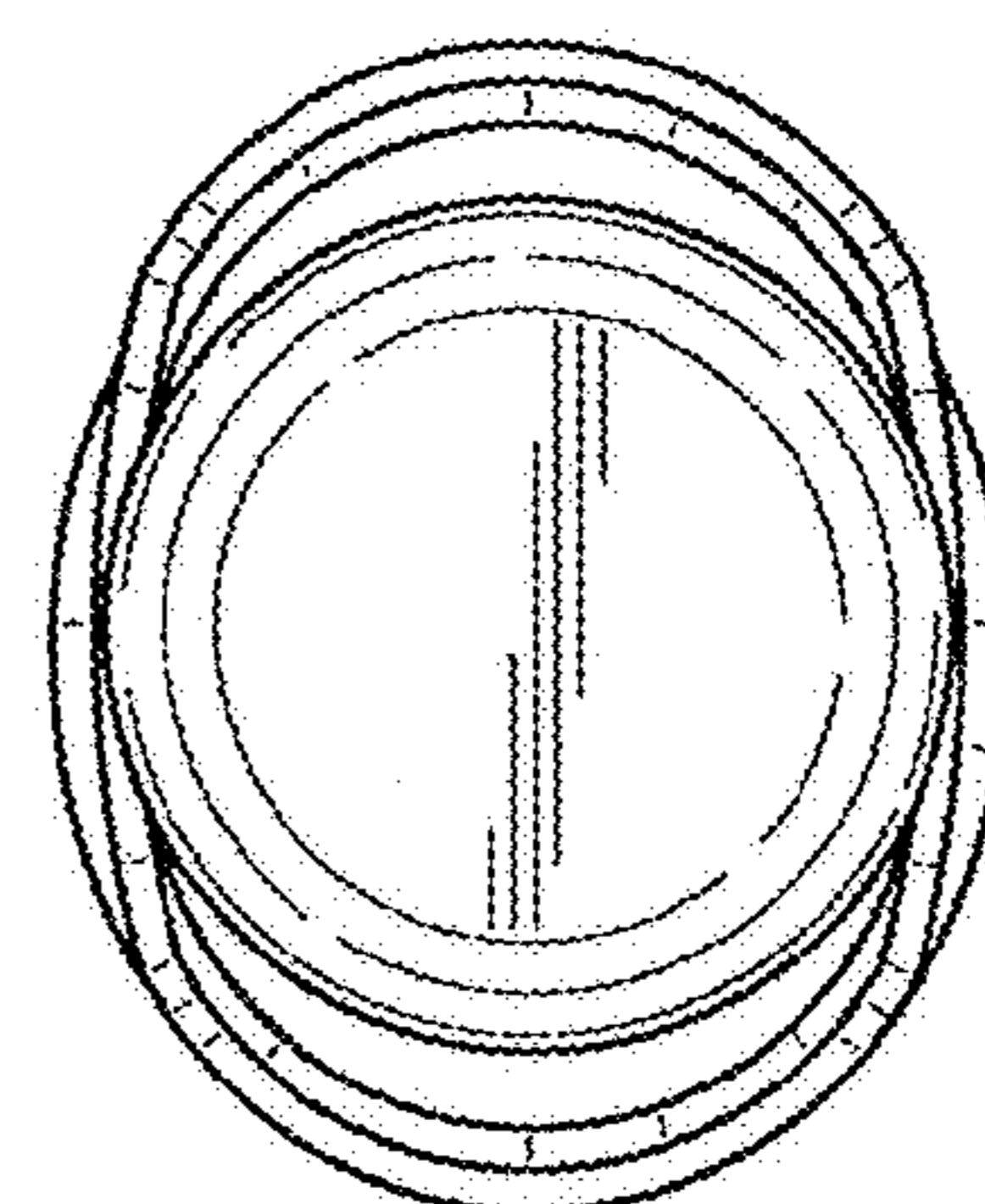


Fig. 7.