



US00D655616S

(12) **United States Design Patent**  
**Wanders**

(10) **Patent No.:** **US D655,616 S**  
(45) **Date of Patent:** **\*\* Mar. 13, 2012**

(54) **PACKAGING CONTAINER**  
(75) Inventor: **Marcel Wanders**, Amsterdam (NL)  
(73) Assignee: **Wonders Holding BV**, Amsterdam (NL)  
(\*\*) Term: **14 Years**  
(21) Appl. No.: **29/385,982**  
(22) Filed: **Feb. 23, 2011**

(30) **Foreign Application Priority Data**  
Oct. 4, 2010 (JP) ..... 2010-023724  
(51) **LOC (9) Cl.** ..... **09-01**  
(52) **U.S. Cl.** ..... **D9/661; D9/414**  
(58) **Field of Classification Search** ..... D9/600,  
D9/655-664, 516, 519, 549-551, 414, 420,  
D9/424-428, 682, 684; D28/82, 88, 91.1;  
206/457, 527; 220/890  
See application file for complete search history.

(56) **References Cited**  
**U.S. PATENT DOCUMENTS**  
D103,986 S \* 4/1937 Copey ..... D9/432  
D167,981 S \* 10/1952 Heftler-Louiche ..... D28/91.1

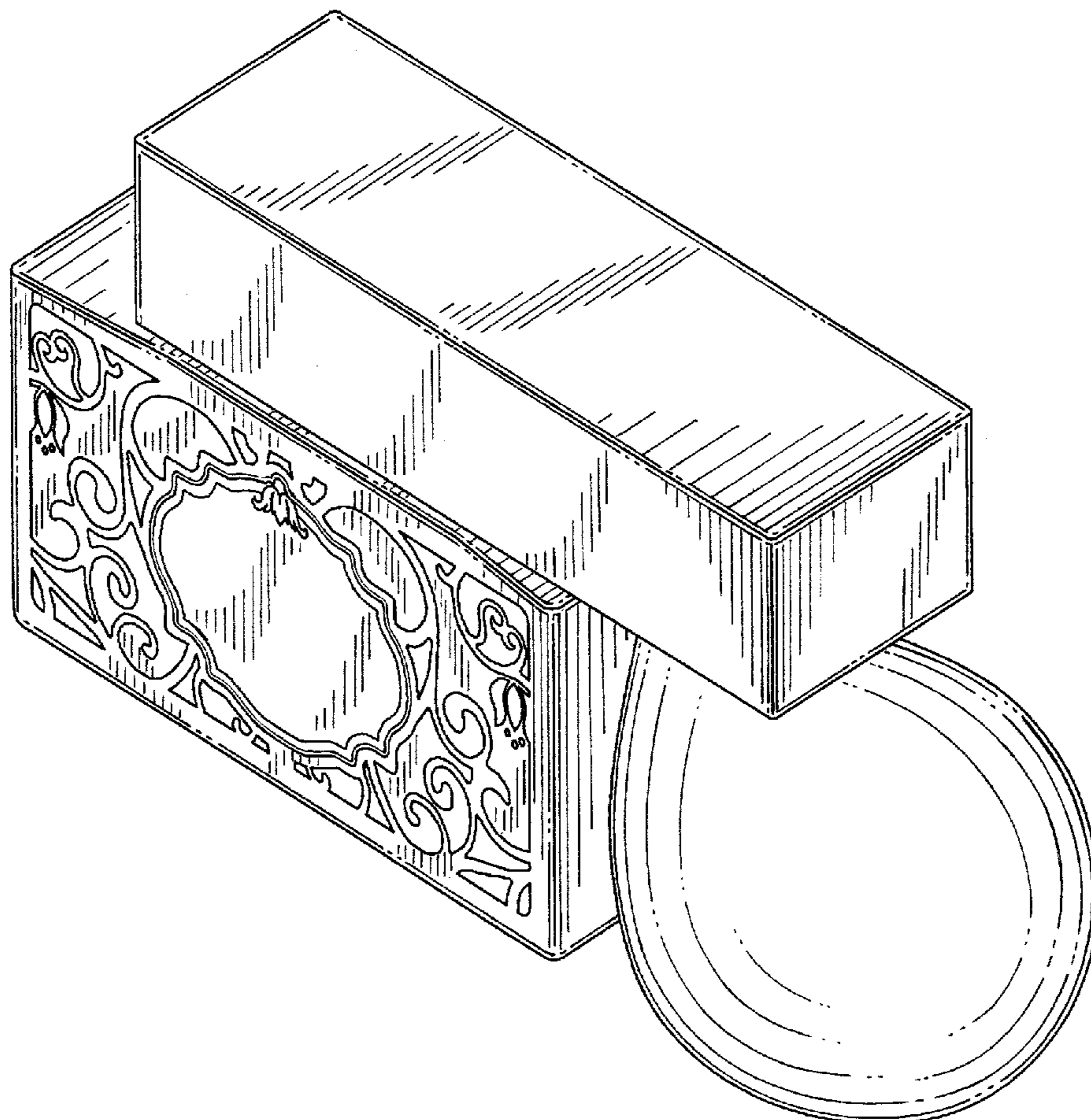
D588,010 S \* 3/2009 Shearsby et al. .... D9/655  
D605,505 S \* 12/2009 Shearsby et al. .... D9/655  
D618,557 S \* 6/2010 Jin et al. .... D9/655

\* cited by examiner  
*Primary Examiner* — Sandra Morris  
(74) *Attorney, Agent, or Firm* — Abelman, Frayne & Schwab

(57) **CLAIM**  
The ornamental design for a packaging container, as shown and described.

**DESCRIPTION**  
FIG. 1 is a front, top and right side perspective view showing my new packaging container design;  
FIG. 2 is a top plan view thereof;  
FIG. 3 is a front side view thereof;  
FIG. 4 is a right side view thereof;  
FIG. 5 is a left side view thereof;  
FIG. 6 is a rear view thereof; and,  
FIG. 7 is a bottom plan view thereof.

**1 Claim, 7 Drawing Sheets**



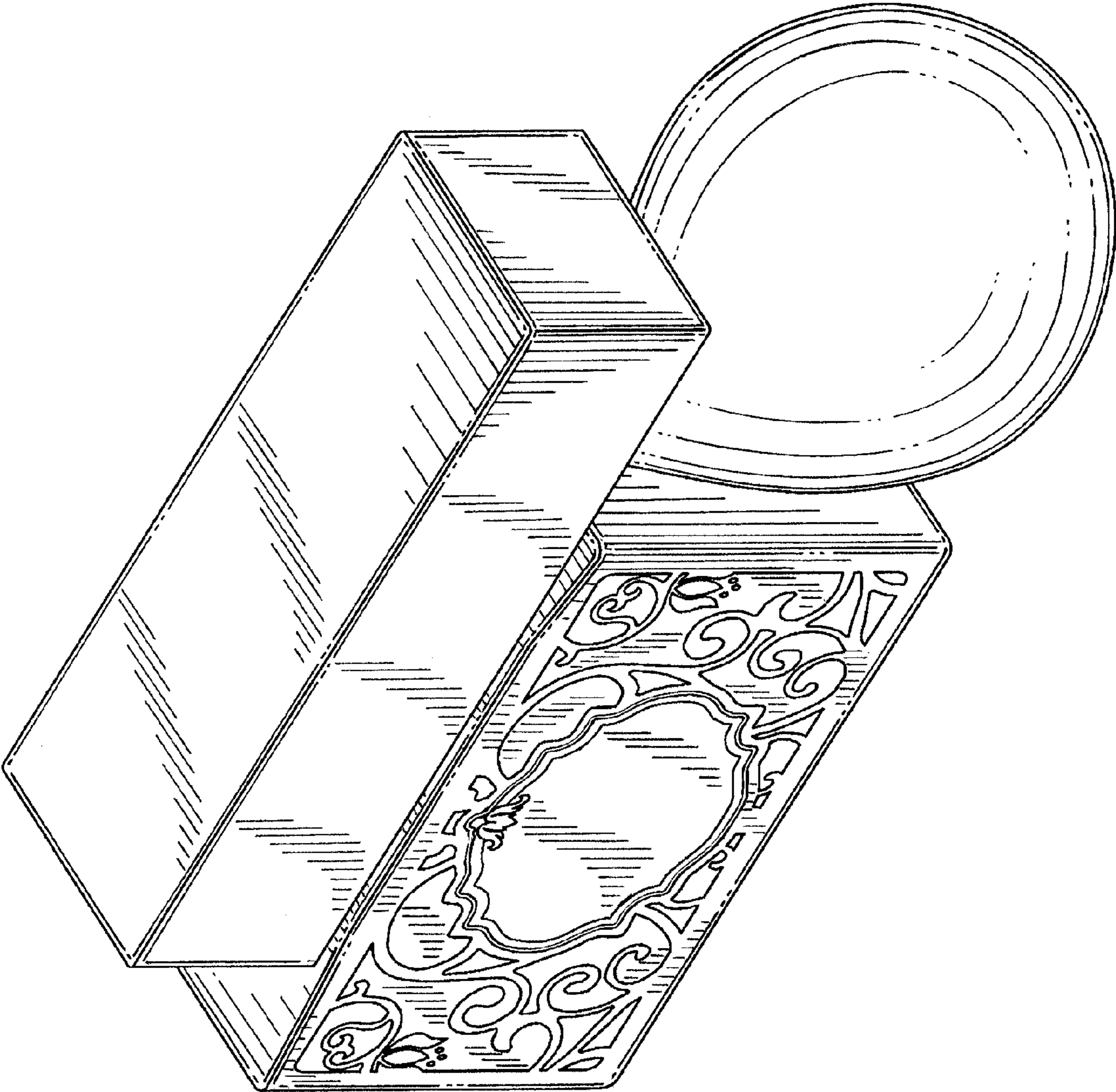


FIG. 1

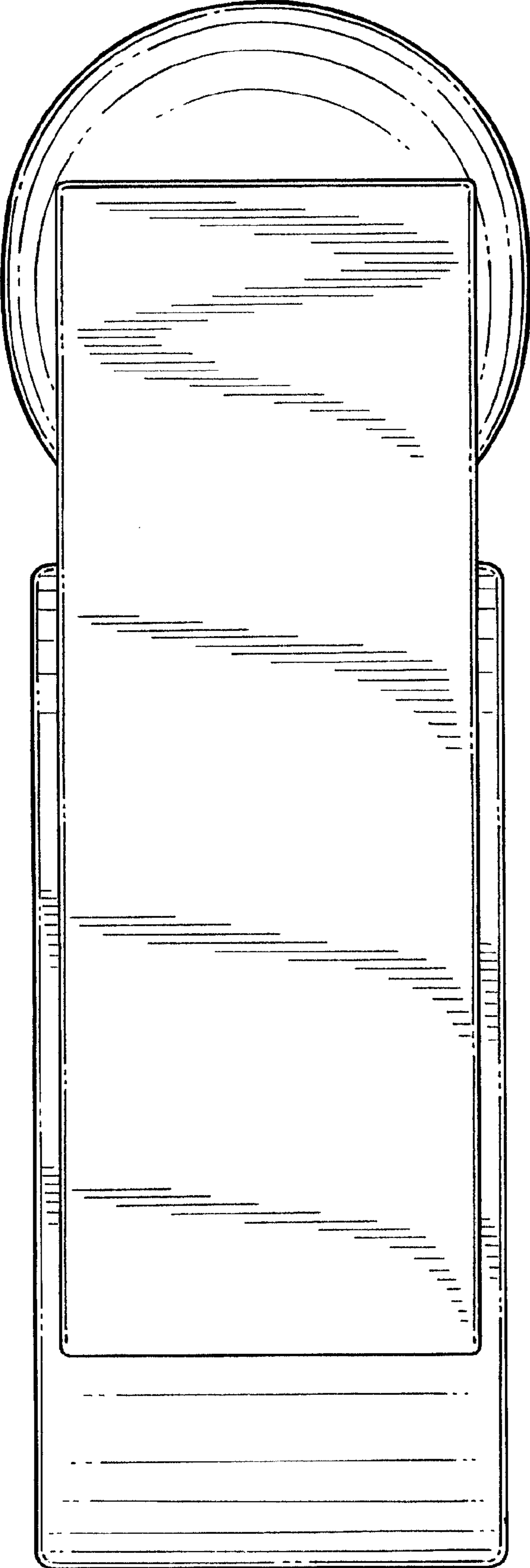
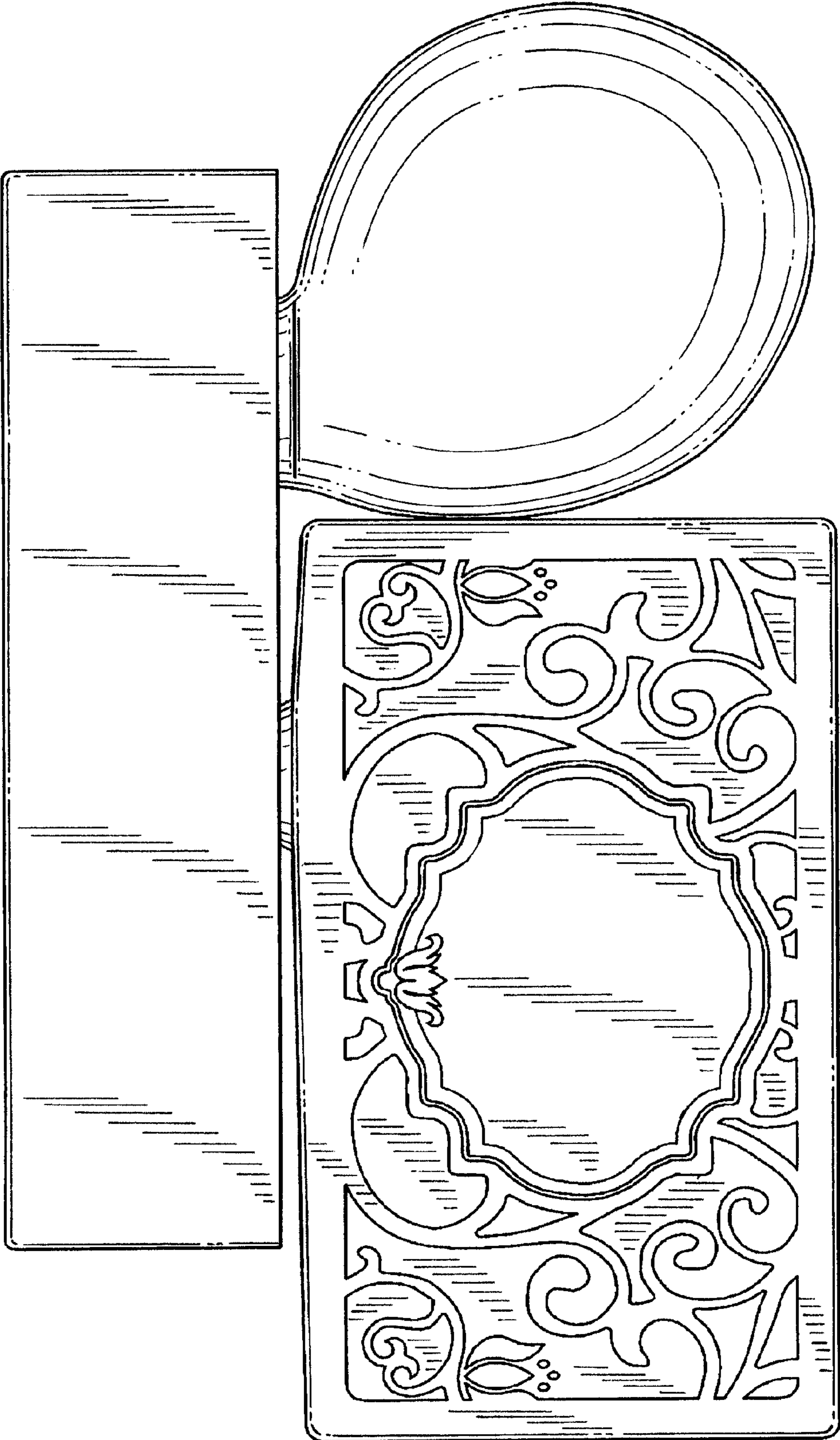


FIG. 2

FIG. 3



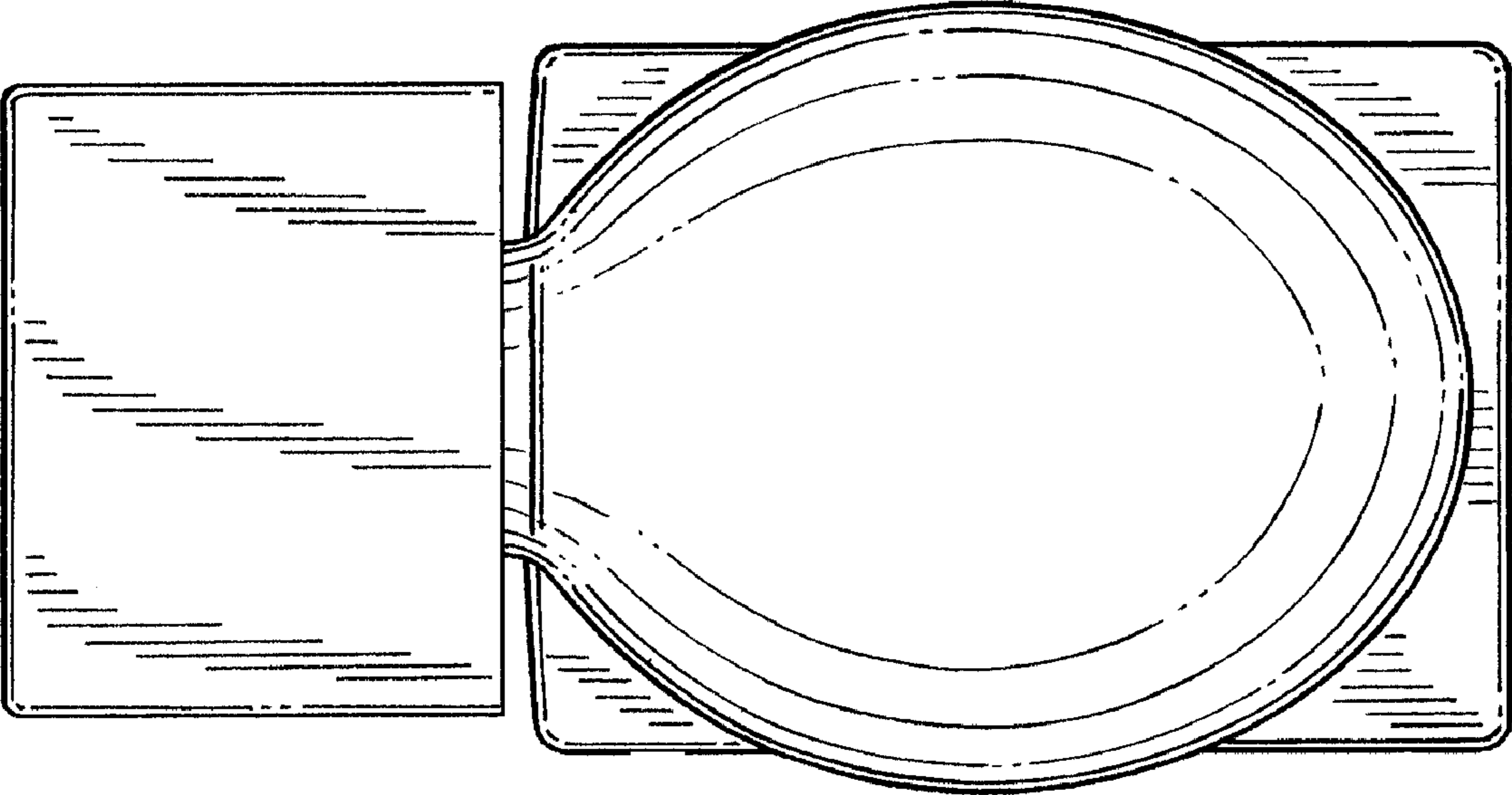


FIG. 4

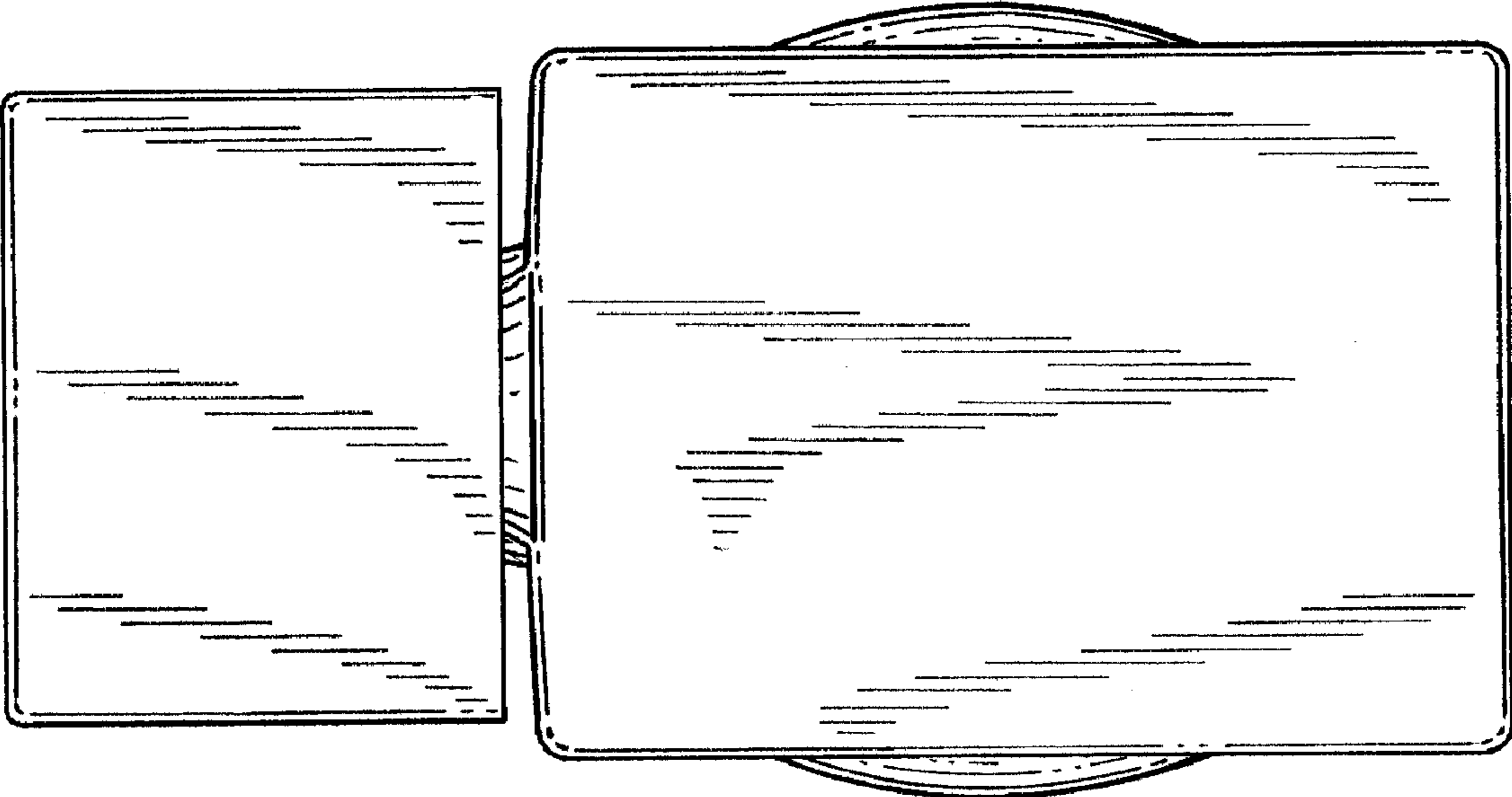
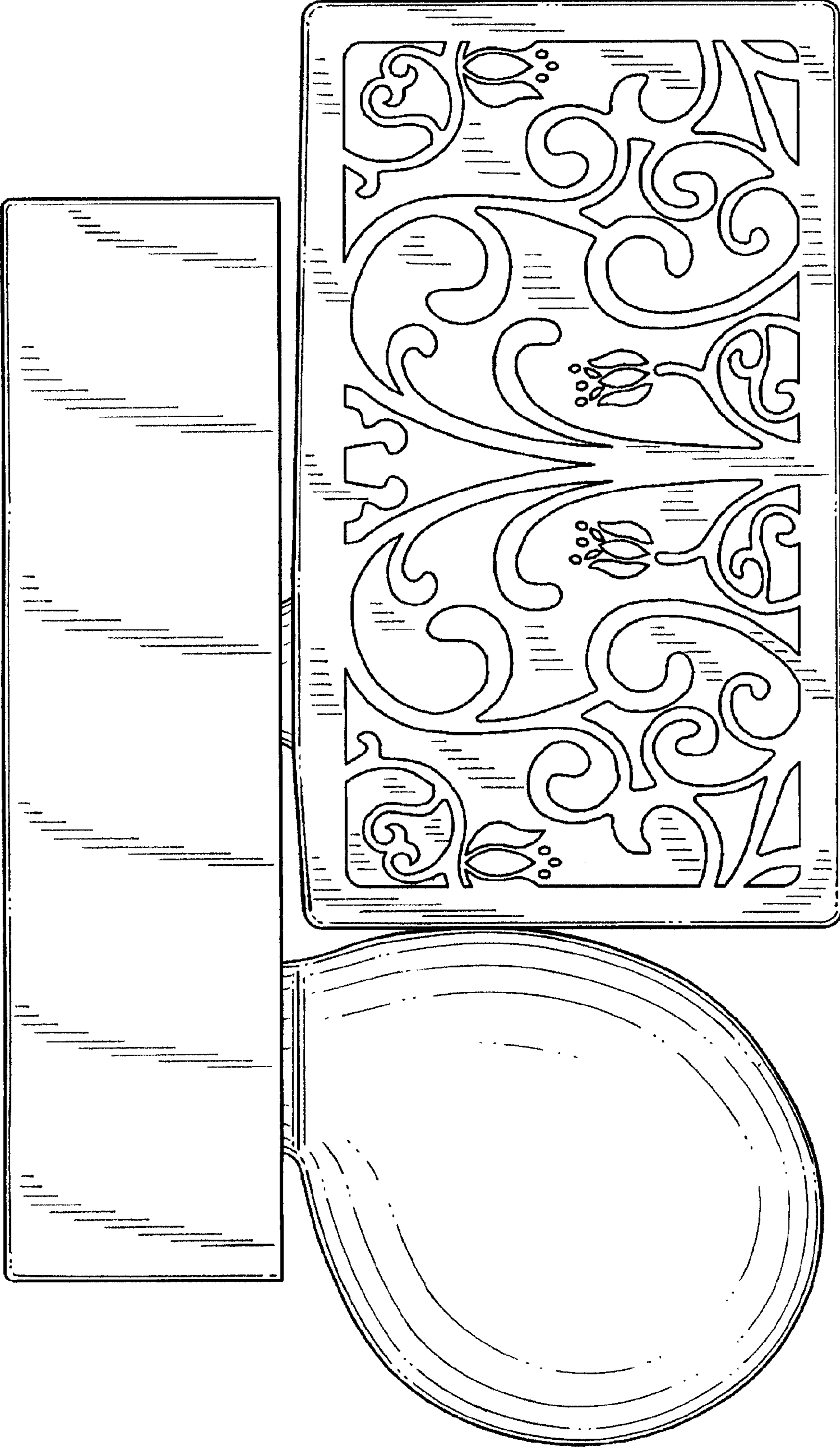


FIG. 5

FIG. 6



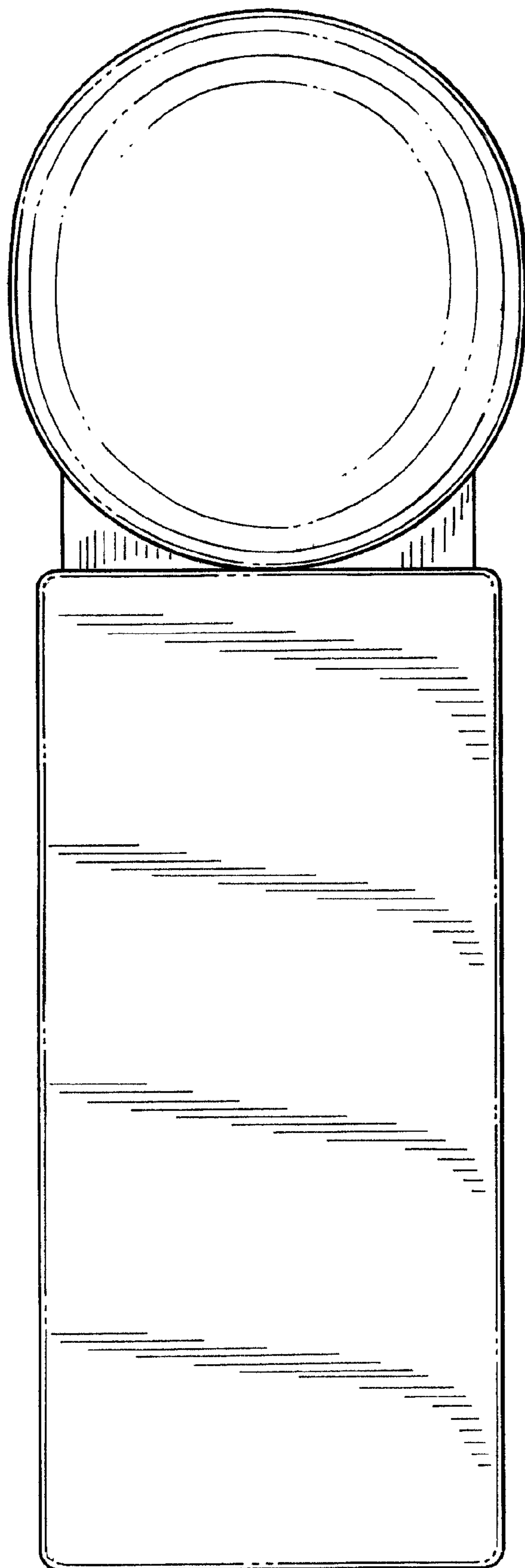


FIG. 7