



US00D655605S

(12) **United States Design Patent**
Baughman

(10) **Patent No.:** **US D655,605 S**
(45) **Date of Patent:** **** Mar. 13, 2012**

- (54) **CONTAINER LID WITH A CLOSURE**
- (75) Inventor: **Gary M. Baughman**, Auburn, IN (US)
- (73) Assignee: **Rieke Corporation**, Auburn, IN (US)
- (**) Term: **14 Years**
- (21) Appl. No.: **29/392,669**
- (22) Filed: **May 25, 2011**

D574,238	S *	8/2008	Walker et al.	D9/452
7,614,530	B2 *	11/2009	Baughman et al.	222/529
D608,641	S *	1/2010	Baughman et al.	D9/454
D610,007	S *	2/2010	Baughman et al.	D9/454
D610,008	S *	2/2010	Baughman	D9/454
D610,457	S *	2/2010	Baughman	D9/454
7,789,277	B2 *	9/2010	Baughman et al.	222/529
7,878,350	B2 *	2/2011	Ramoundos	215/230
2007/0284399	A1 *	12/2007	Baughman et al.	222/529
2009/0212079	A1 *	8/2009	Baughman et al.	222/529
2010/0282783	A1 *	11/2010	Baughman et al.	222/530

* cited by examiner

Related U.S. Application Data

- (62) Division of application No. 29/379,255, filed on Nov. 17, 2010, now Pat. No. Des. 641,628.
 - (51) **LOC (9) Cl.** **09-07**
 - (52) **U.S. Cl.** **D9/447; D9/454**
 - (58) **Field of Classification Search** D9/656, D9/635, 565, 454, 452, 451, 447, 446, 441, D9/440, 439, 435; D7/399, 396, 396.5, 395, D7/393, 392.1, 387, 321, 300.2; D24/130, D24/129; D21/713; 222/529, 478, 153.06; 220/825, 276, 254.8, 254.4; 215/364, 356, 215/355, 230
- See application file for complete search history.

Primary Examiner — Susan Bennett Hattan

(74) *Attorney, Agent, or Firm* — Woodard Emhardt Moriarty McNett & Henry LLP

(57) **CLAIM**

The ornamental design for a container lid with a closure.

DESCRIPTION

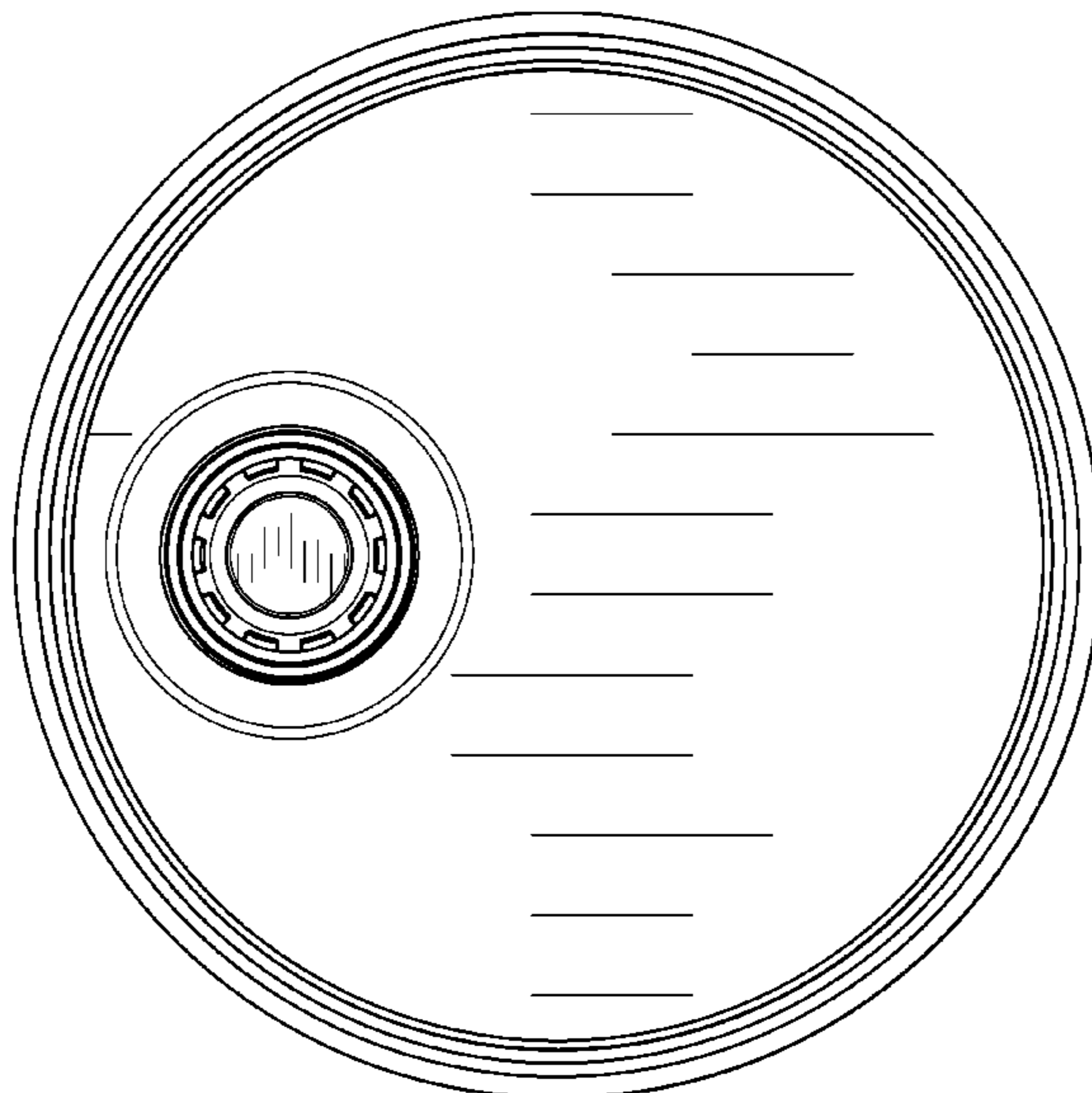
FIG. 1 is a front elevational view of a container lid with a closure, showing my new design;
 FIG. 2 is a left side elevational view thereof, the right side elevational view being identical thereto;
 FIG. 3 is a top plan view thereof;
 FIG. 4 is a bottom plan view thereof;
 FIG. 5 is a rear elevational view thereof;
 FIG. 6 is a front elevational view of the closure of FIG. 1, the rear elevational view being identical thereto;
 FIG. 7 is a left side elevational view of the FIG. 6 closure, the right side elevational view being identical thereto;
 FIG. 8 is a top plan view of the FIG. 6 closure;
 FIG. 9 is a bottom plan view of the FIG. 6 closure; and,
 FIG. 10 is a top perspective view of the FIG. 6 closure.

(56) **References Cited**

U.S. PATENT DOCUMENTS

2,764,199	A *	9/1956	Tupper	220/254.3
D258,576	S *	3/1981	Smith	D9/452
D359,905	S *	7/1995	Molo	D9/447
D362,389	S *	9/1995	Frye	D9/454
D365,519	S *	12/1995	Welch et al.	D9/454
D397,586	S *	9/1998	Bowers	D7/615
7,201,287	B2 *	4/2007	Maenke	220/203.11

1 Claim, 5 Drawing Sheets



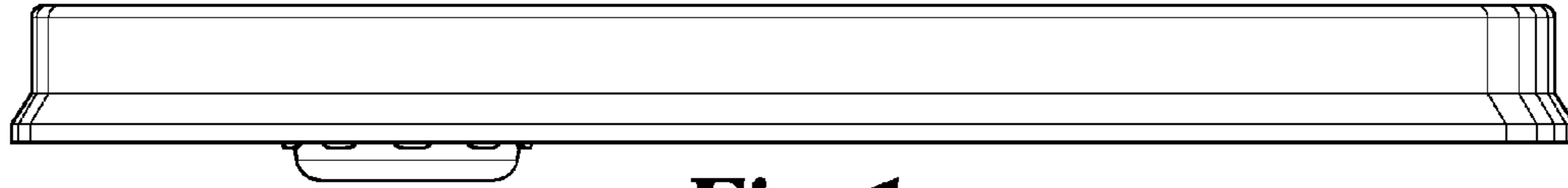


Fig. 1

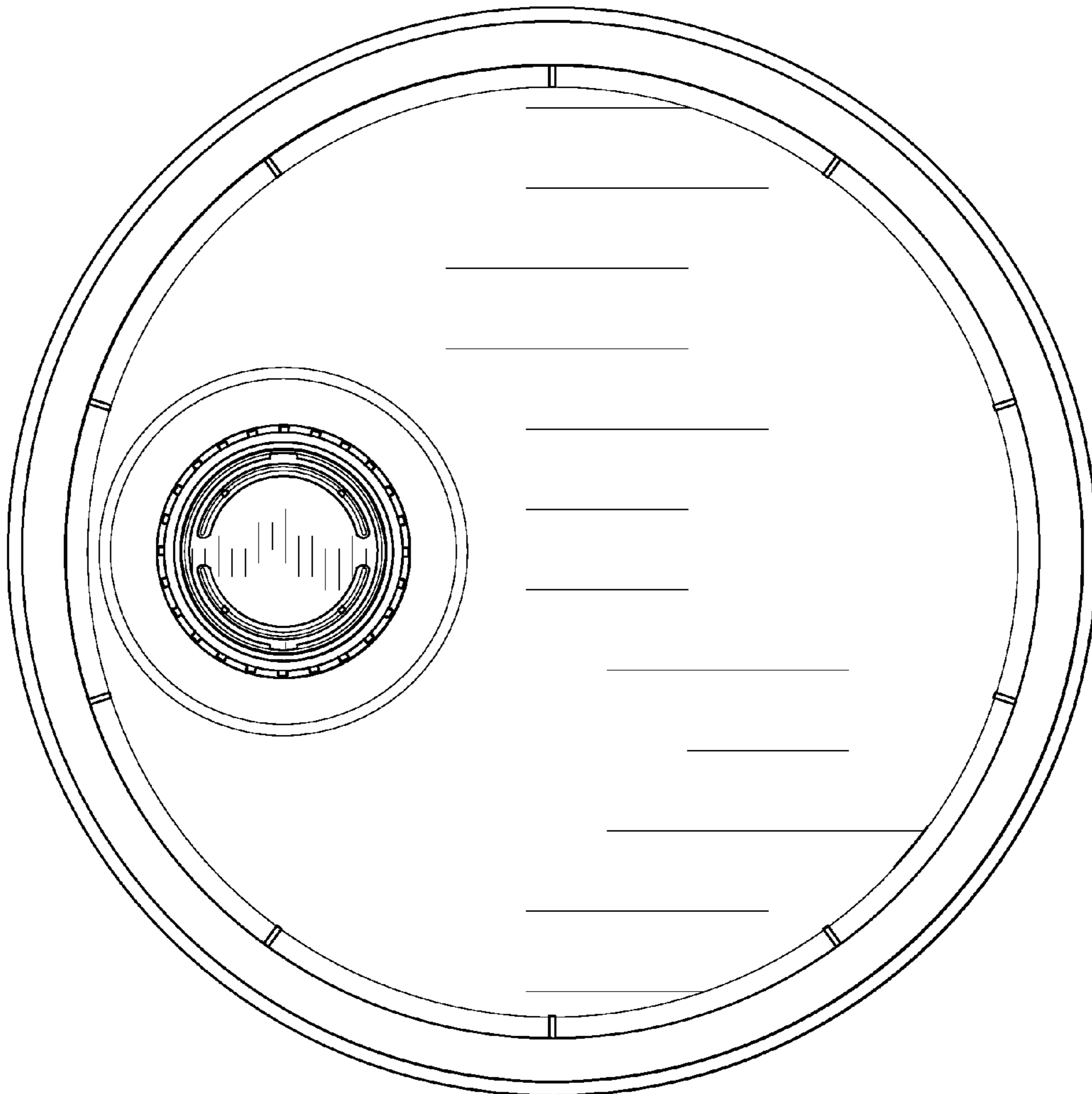


Fig. 3

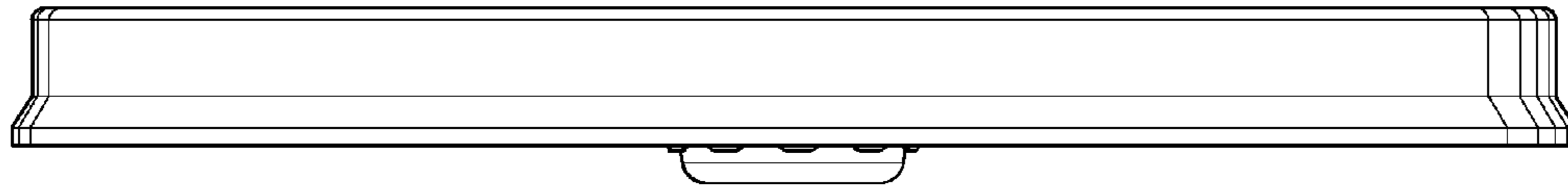


Fig. 2

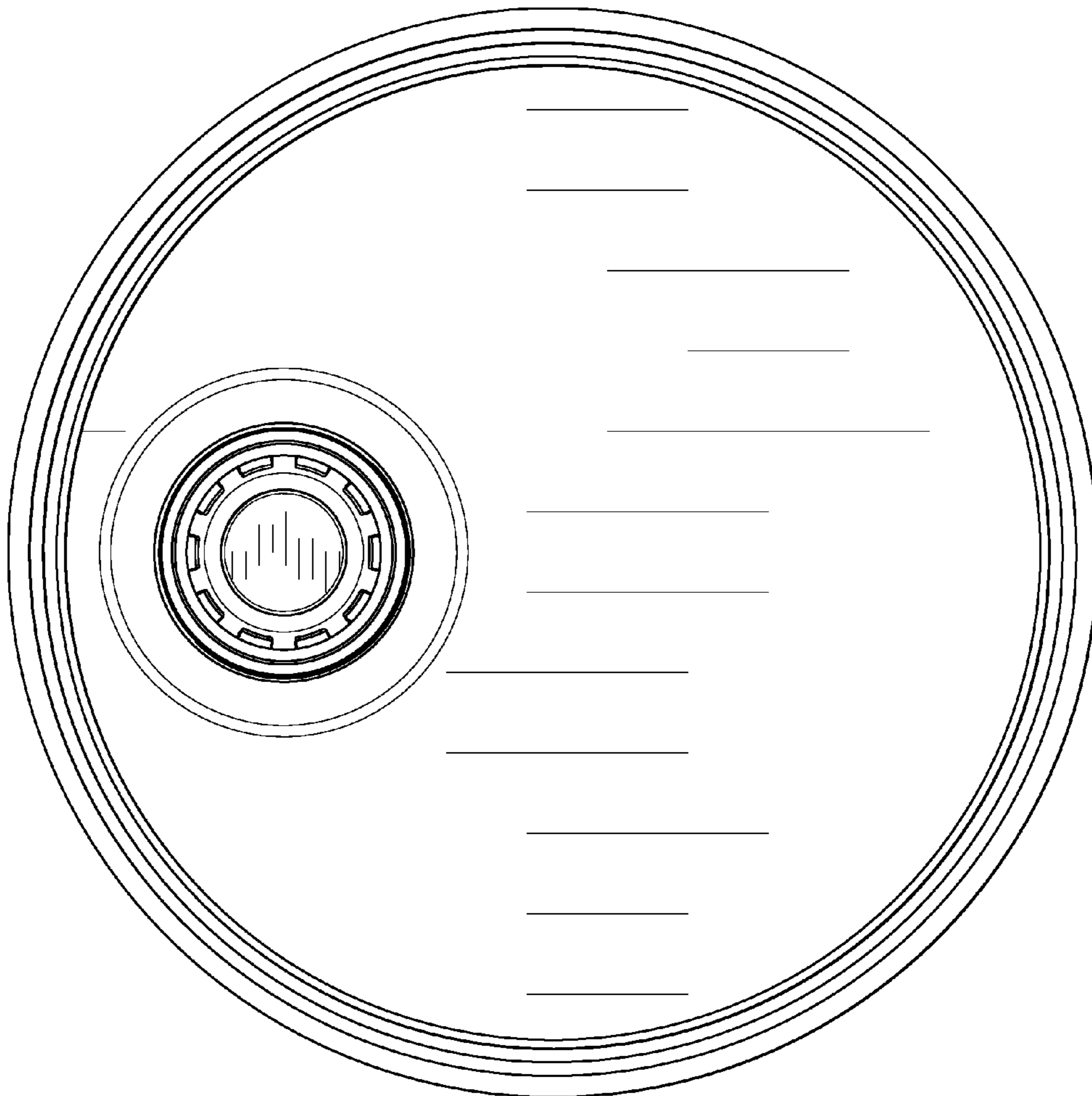


Fig. 4

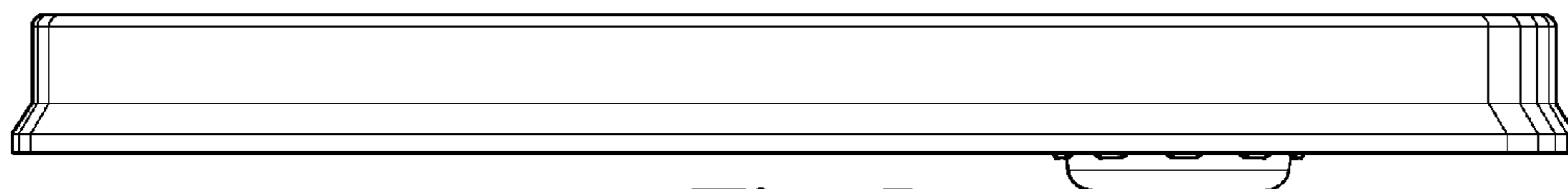


Fig. 5

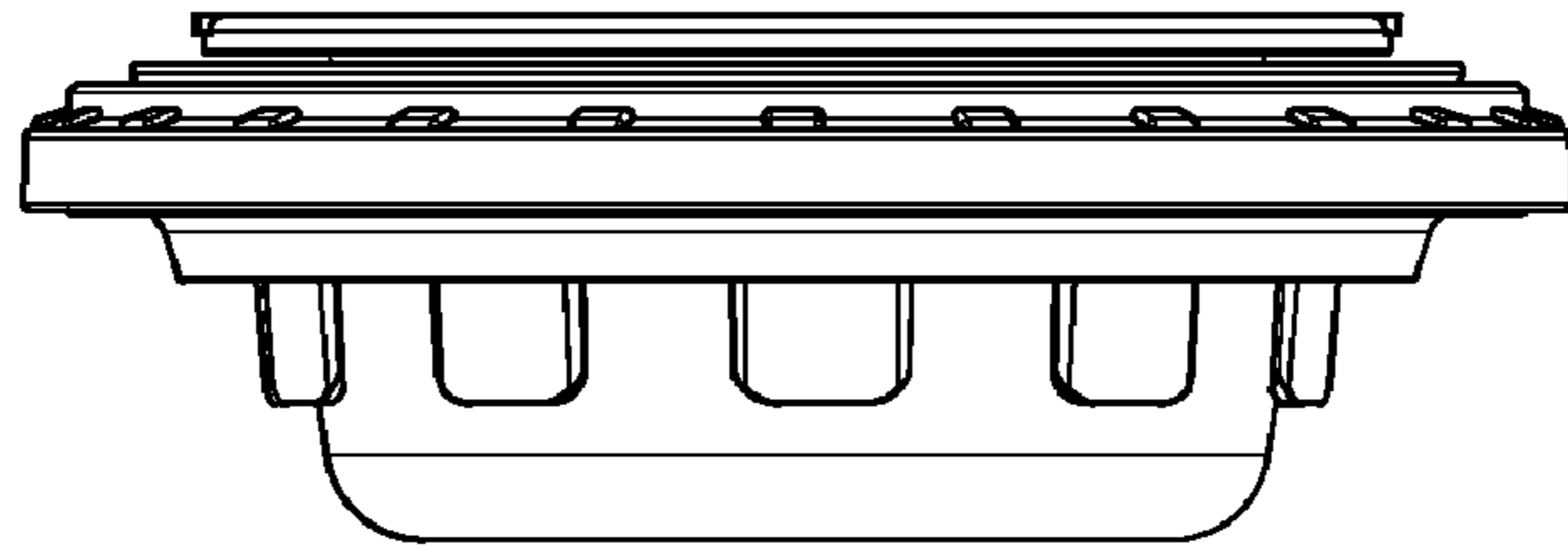


Fig. 6

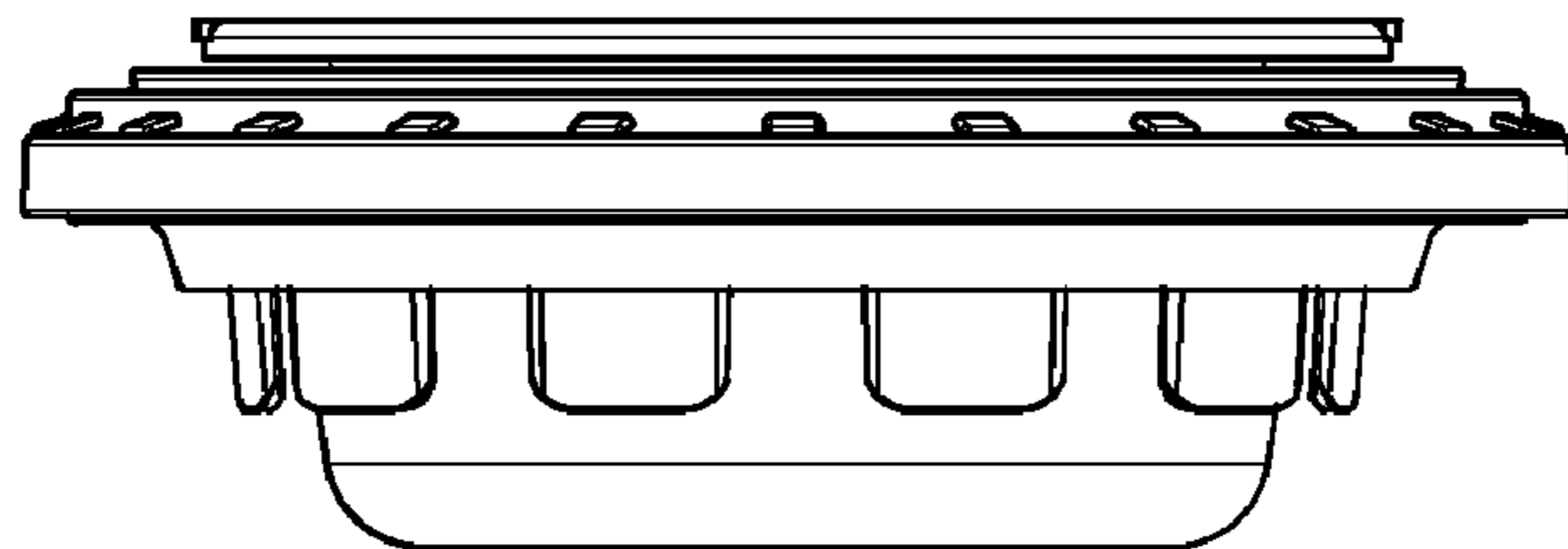


Fig. 7

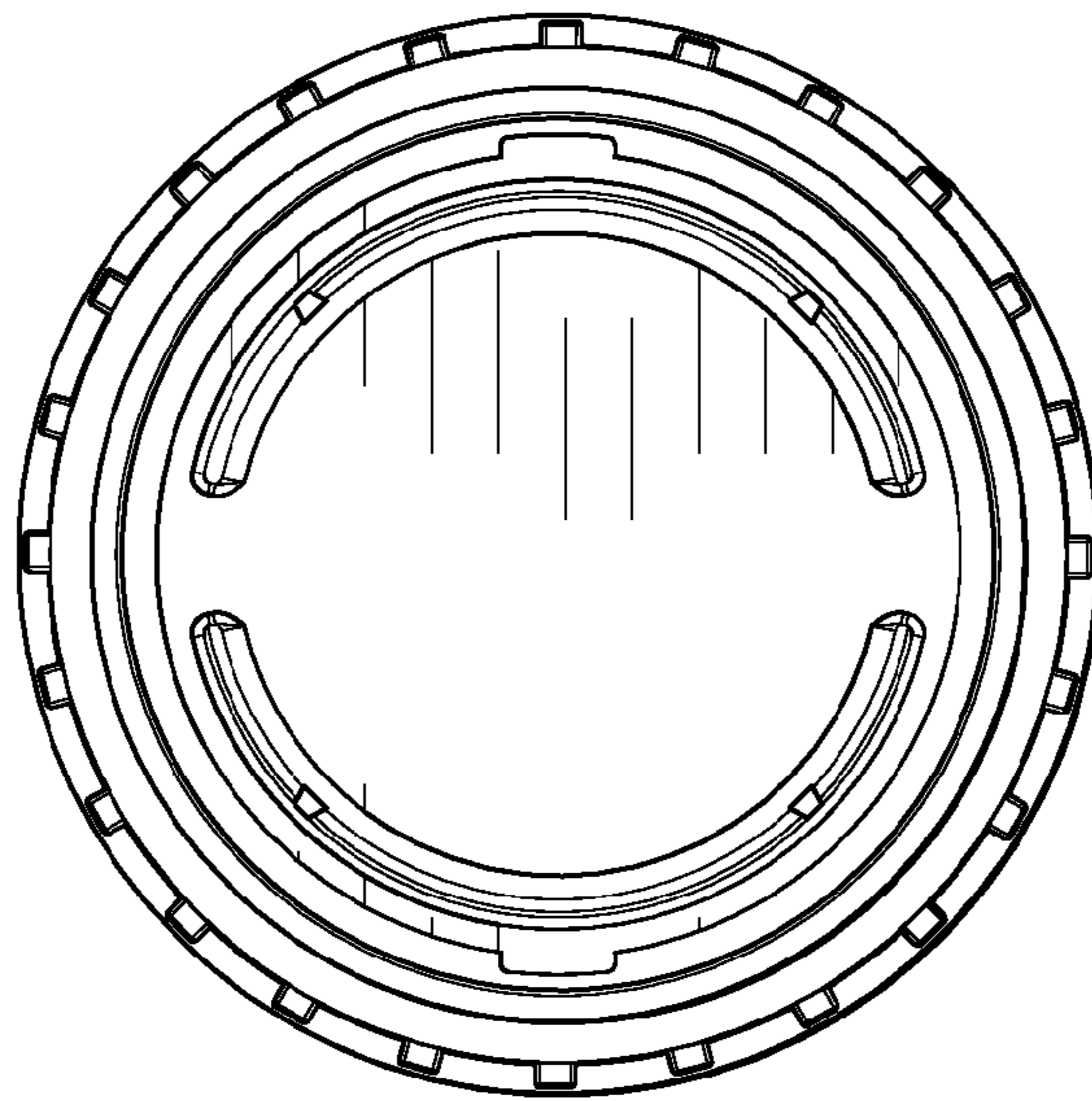


Fig. 8

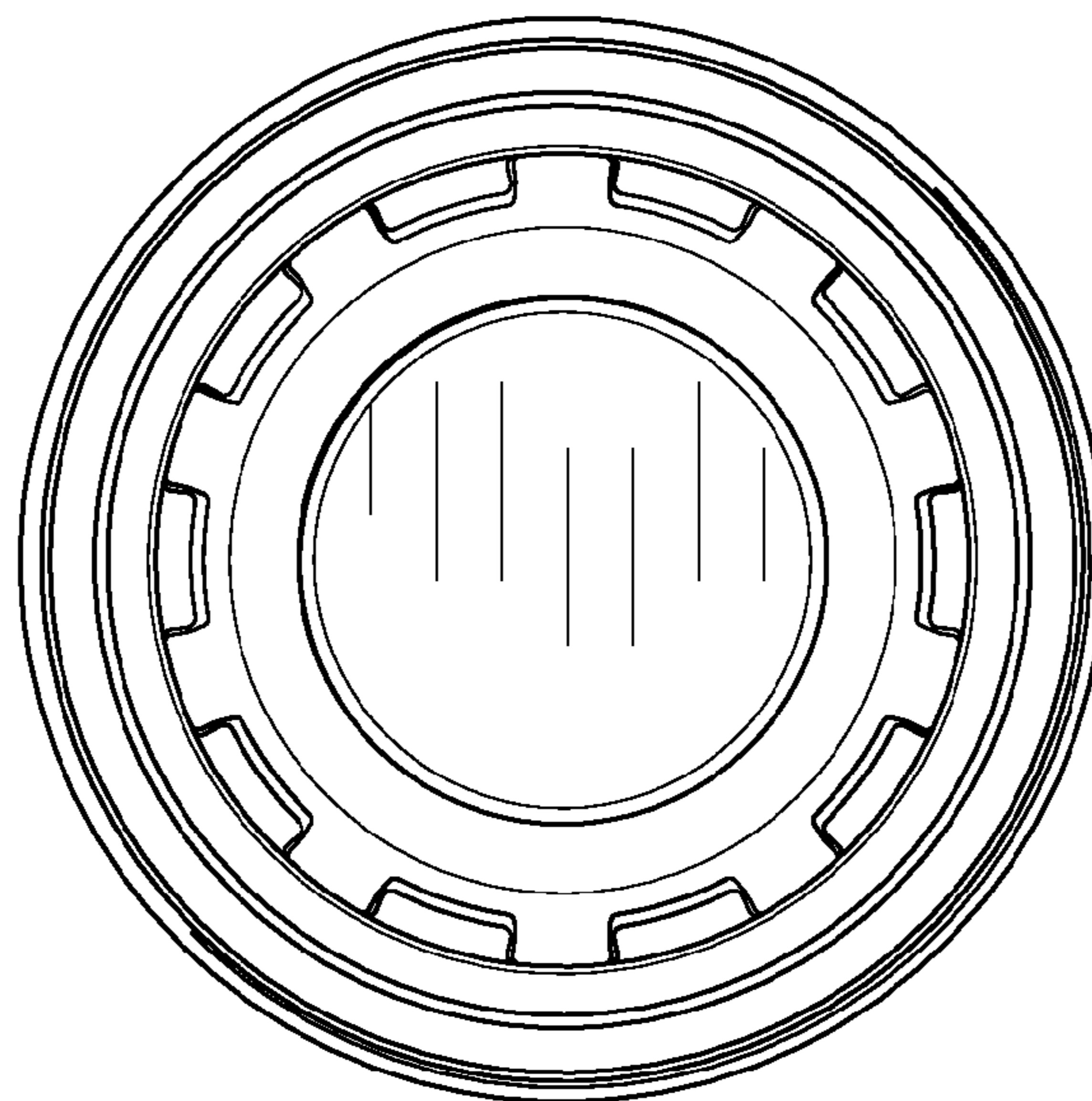


Fig. 9

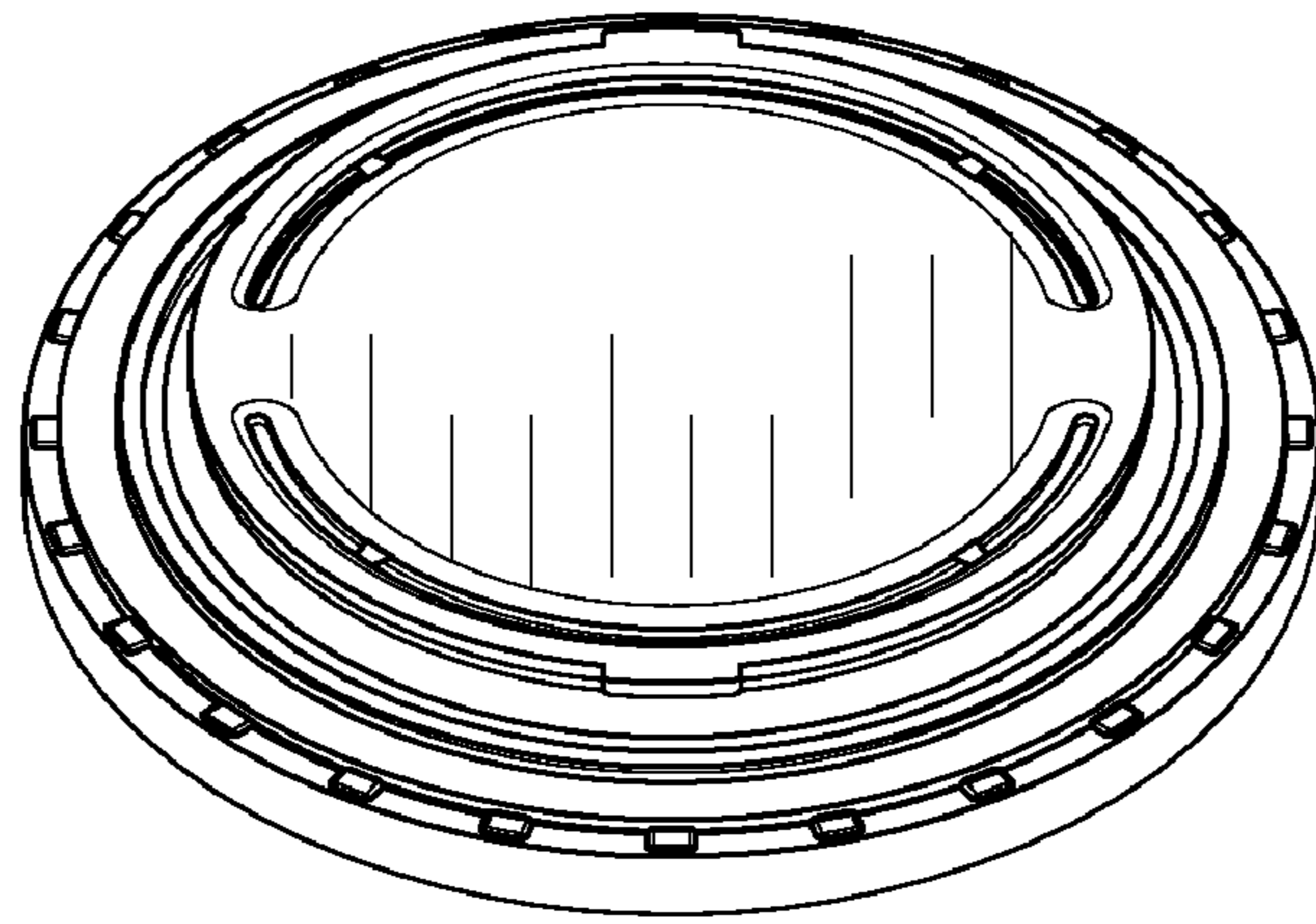


Fig. 10