



US00D655604S

(12) **United States Design Patent**
Molina et al.

(10) **Patent No.:** **US D655,604 S**
(45) **Date of Patent:** **** Mar. 13, 2012**

(54) **SPINNER CAP**

(75) Inventors: **Francisco Molina**, Davie, FL (US);
Glenn Robinson, Parkland, FL (US);
Rodrigo S. B. Lima, Tamarac, FL (US)

(73) Assignee: **IBT Holdings, LLC**, Deerfield Beach,
FL (US)

(**) Term: **14 Years**

(21) Appl. No.: **29/372,913**

(22) Filed: **Feb. 7, 2011**

(51) **LOC (9) Cl.** **09-07**

(52) **U.S. Cl.** **D9/443; D9/436; D9/449; D9/450**

(58) **Field of Classification Search** D9/499,
D9/455, 450, 449, 447, 443, 440, 436; D8/373;
D7/590, 512, 396.2, 392.1; D4/116, 114;
D10/74, 72; 248/113; 222/536, 521, 480;
220/254.3; 215/228

See application file for complete search history.

(56) **References Cited**

U.S. PATENT DOCUMENTS

D279,357 S * 6/1985 Mitchell D9/450
D355,121 S * 2/1995 Kohl D9/447
D442,096 S * 5/2001 Martone D10/72

D516,425 S * 3/2006 Haffner et al. D9/449
D566,552 S * 4/2008 Vette D9/449
D604,159 S * 11/2009 Pugne D9/449
D627,642 S * 11/2010 Mazurkiewicz et al. D9/449

* cited by examiner

Primary Examiner — Susan Bennett Hattan

(74) *Attorney, Agent, or Firm* — Dan DeLa Rosa

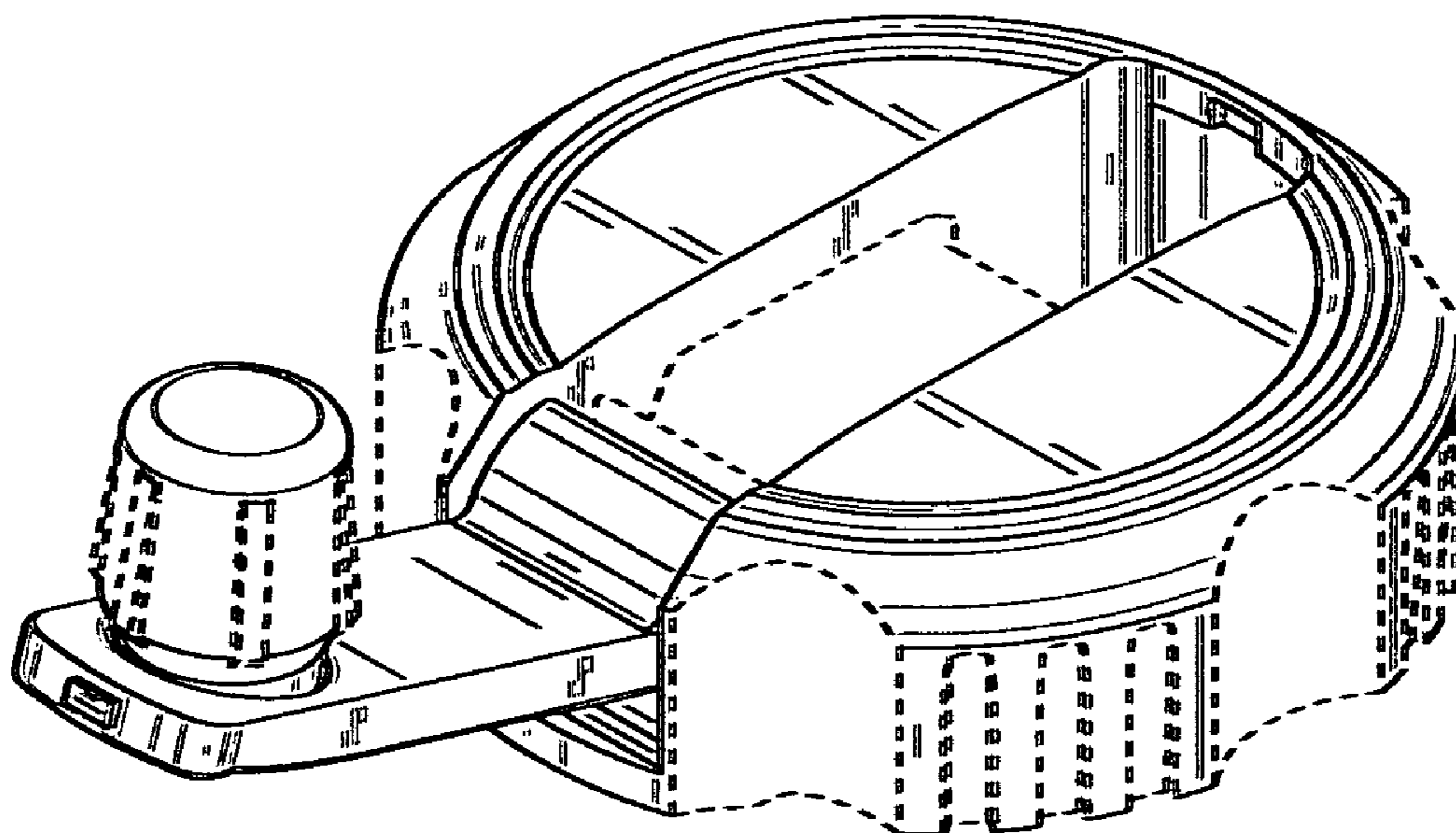
(57) **CLAIM**

The ornamental design for a spinner cap, as shown and described.

DESCRIPTION

FIG. 1 is a front perspective view of the spinner cap of the present invention showing my new design;
FIG. 2 is a front side elevational view thereof;
FIG. 3 is a back side elevational view thereof;
FIG. 4 is a side elevational view thereof;
FIG. 5 is another side elevational view thereof;
FIG. 6 is a top plan view thereof;
FIG. 7 is a bottom plan view thereof;
FIG. 8 is a perspective view of the handle of the spinner cap in an extended use position; and,
FIG. 9 is another perspective view of FIG. 8.

1 Claim, 5 Drawing Sheets



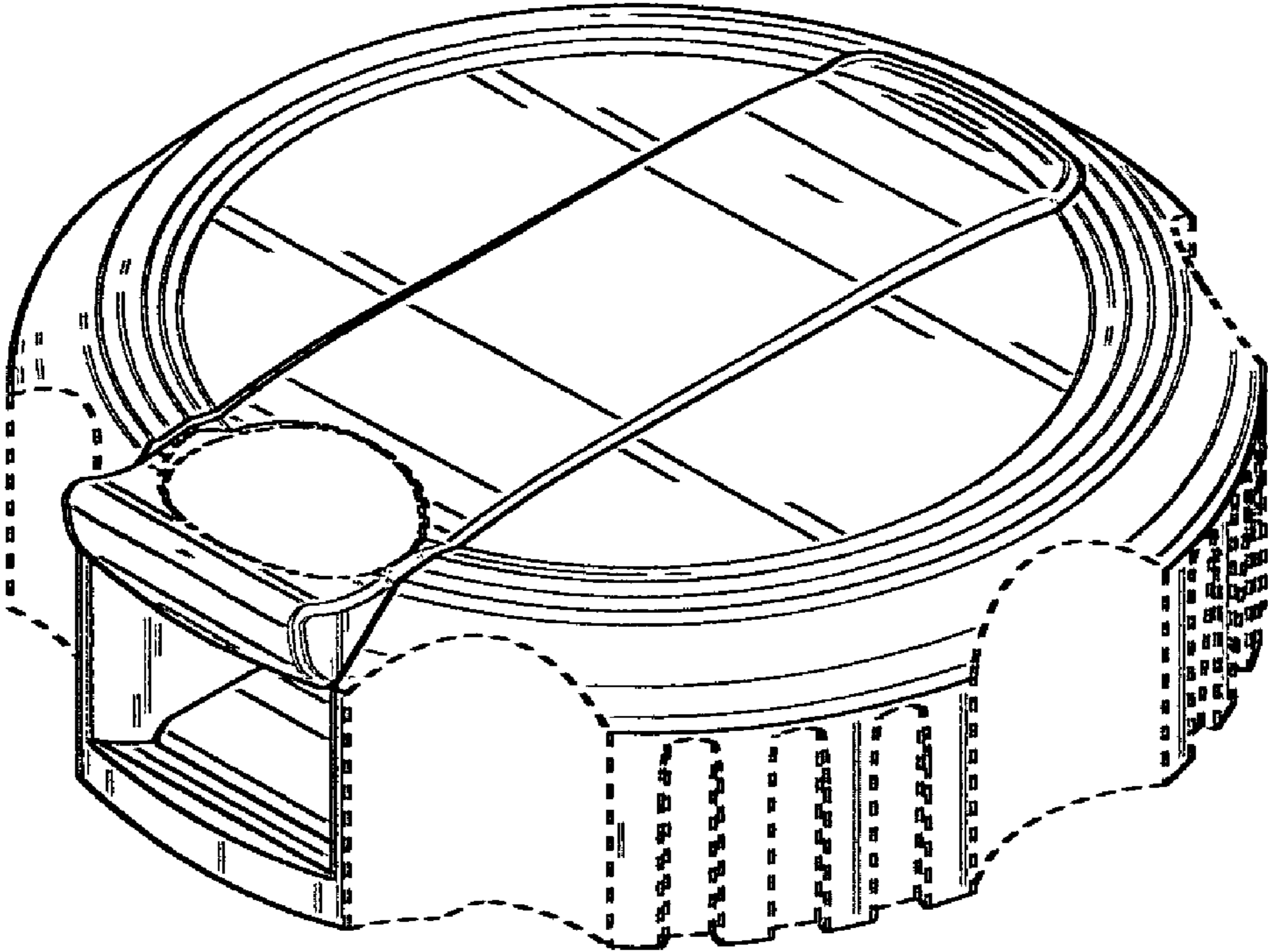


FIG. 1

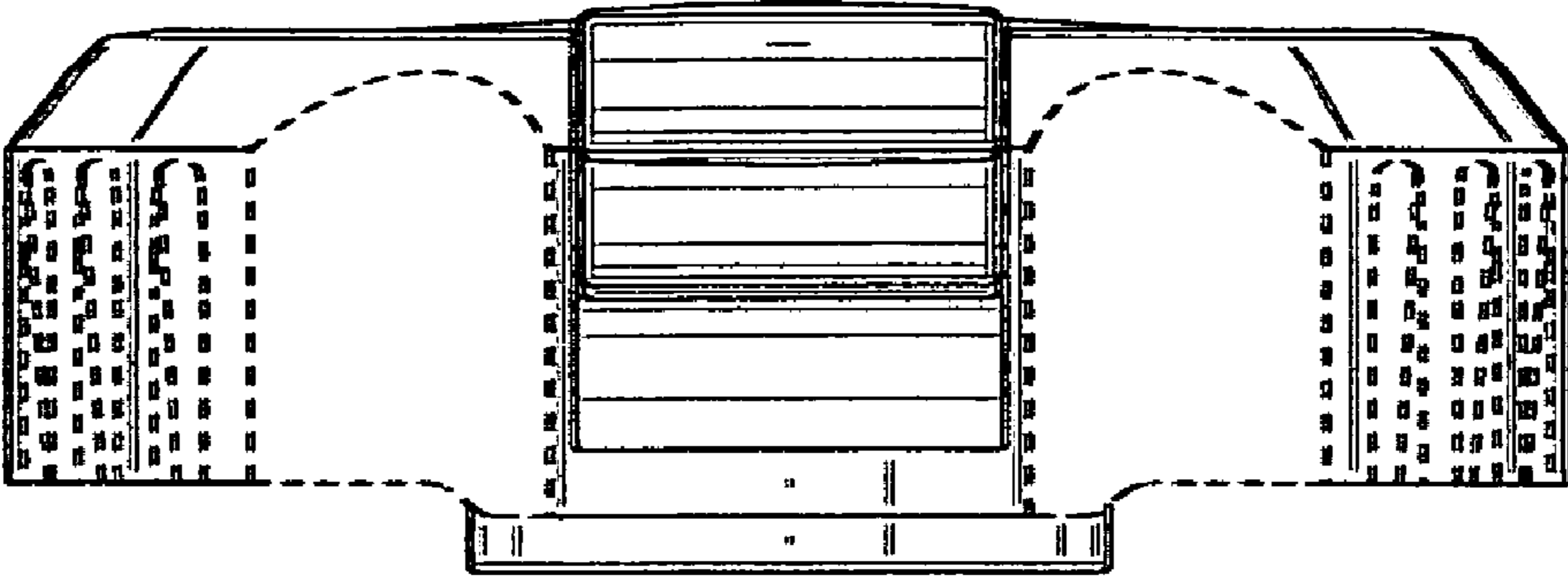


FIG. 2

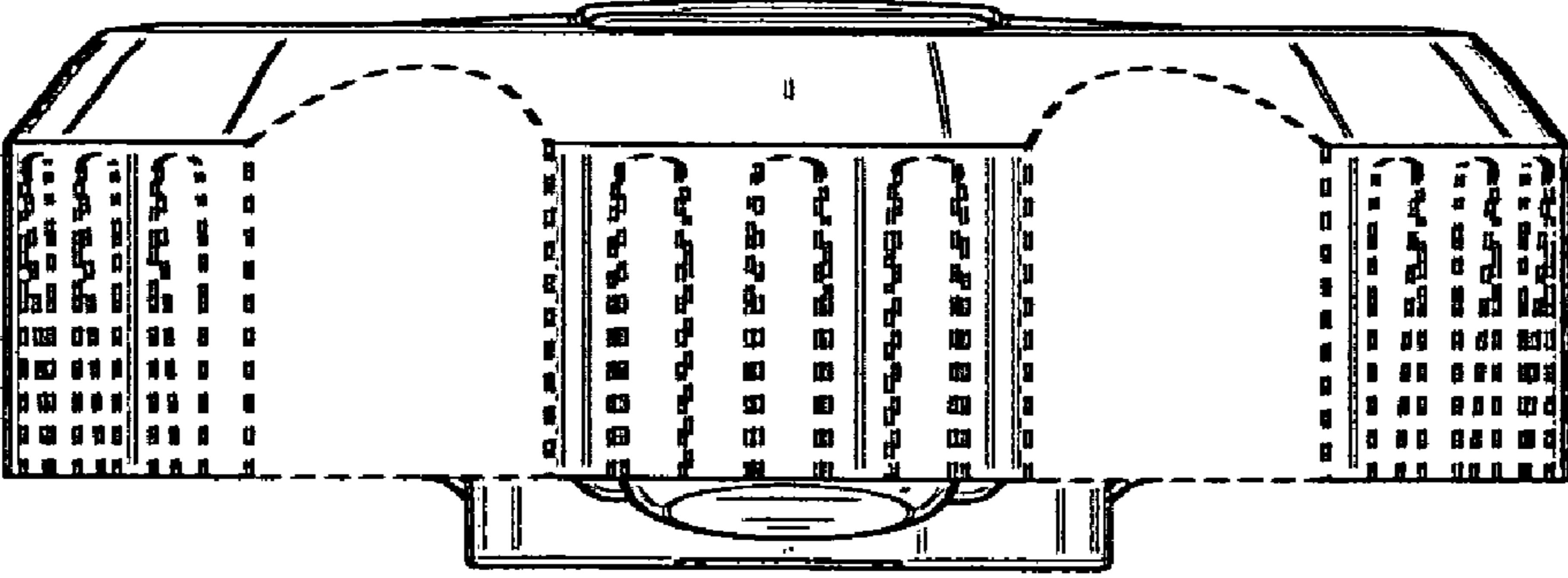


FIG. 3

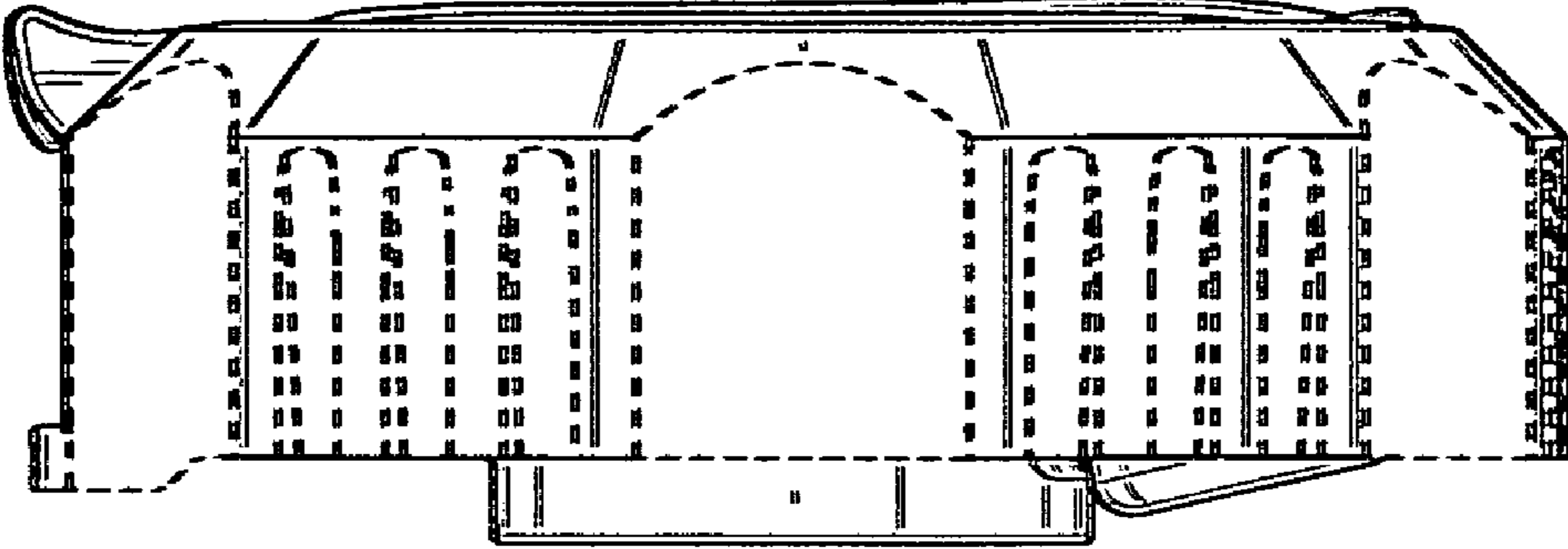


FIG. 4

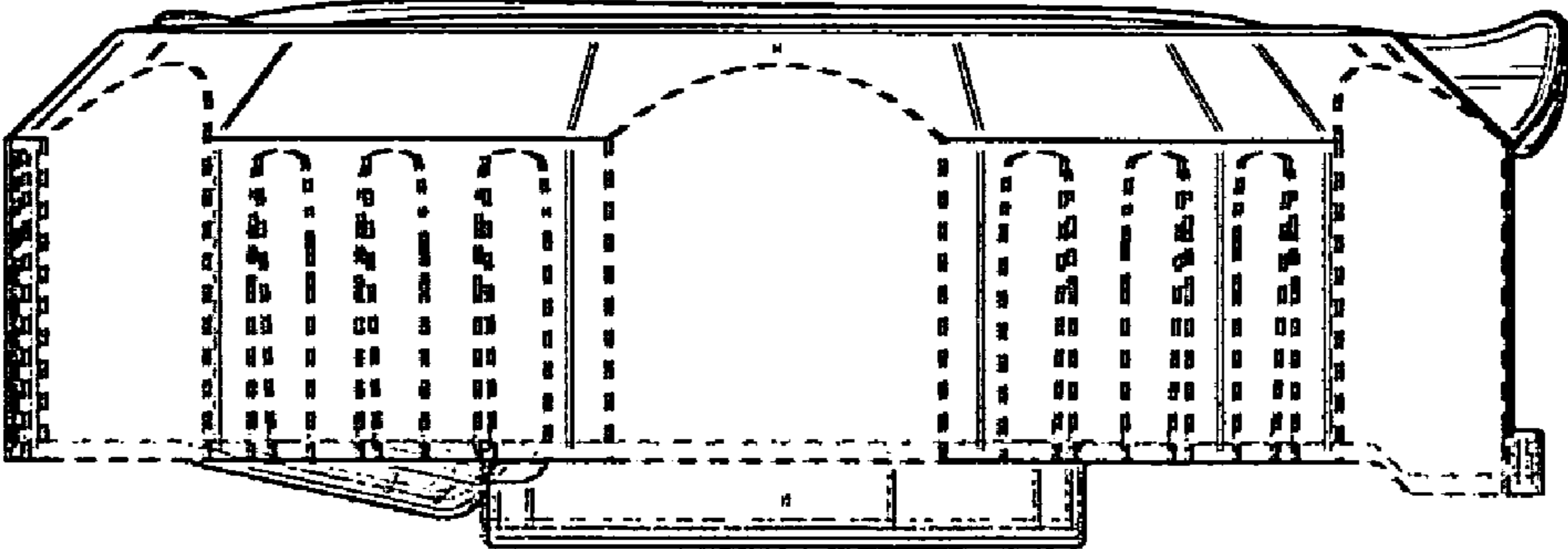


FIG. 5

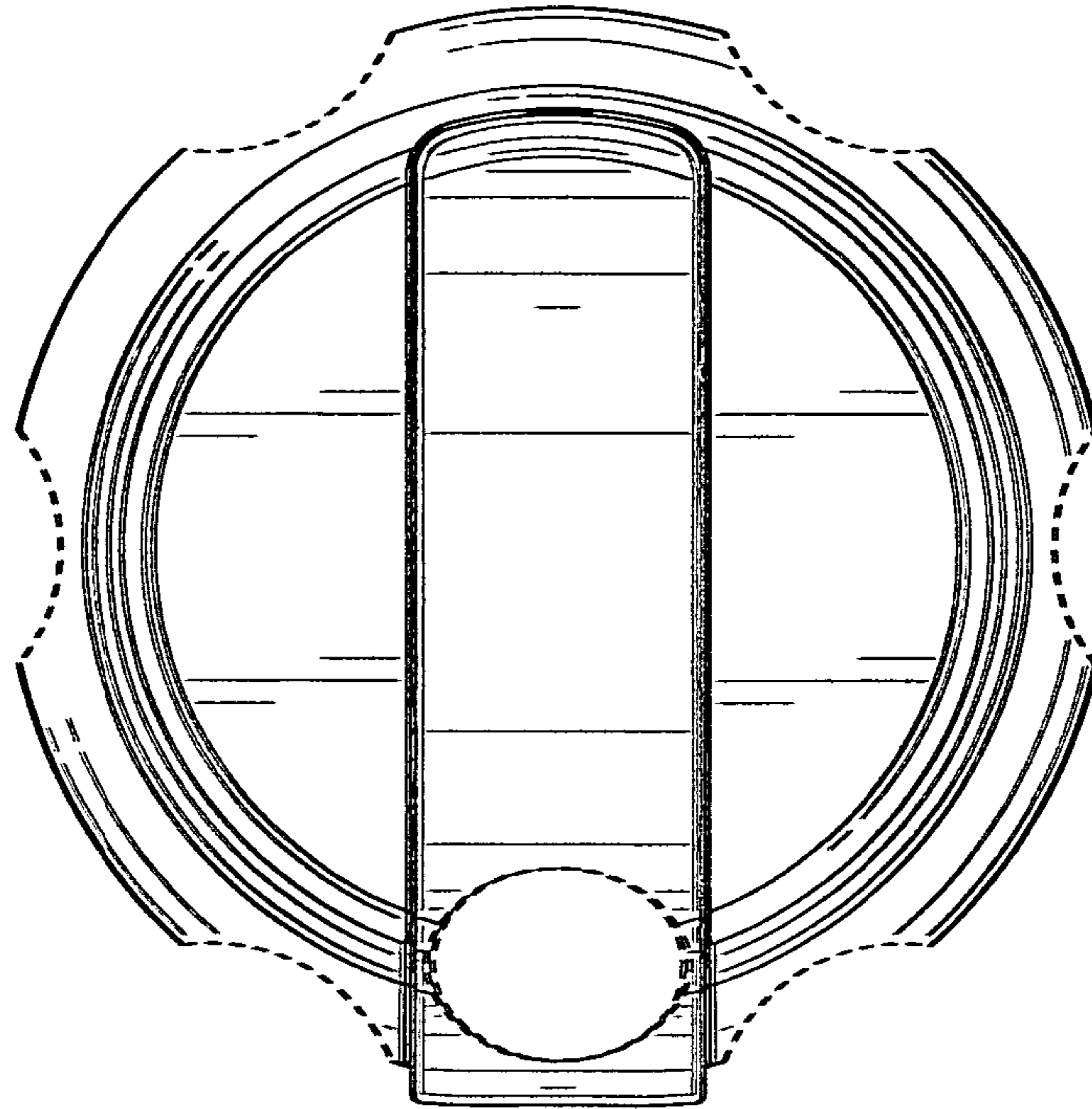


FIG. 6

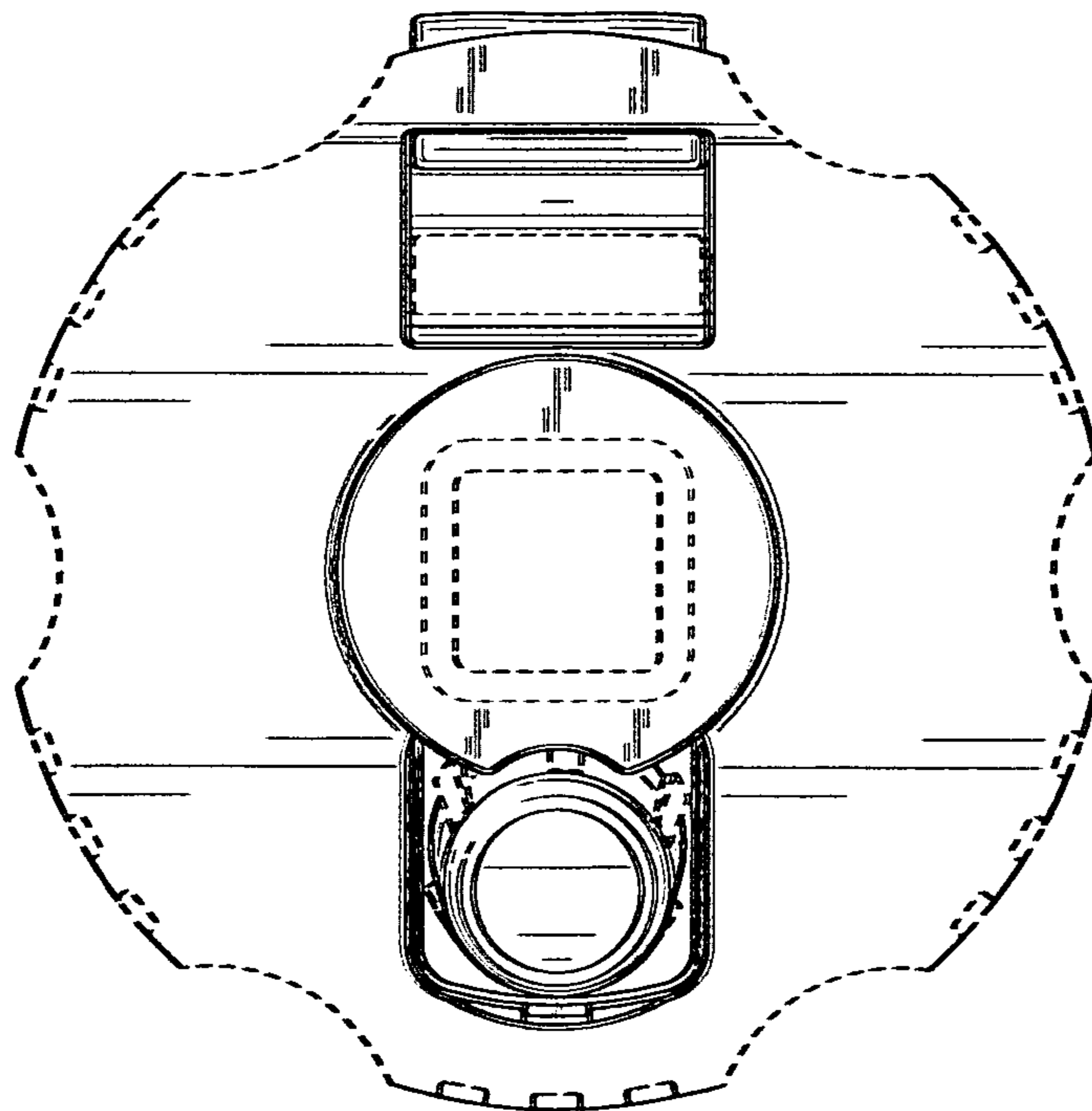


FIG. 7

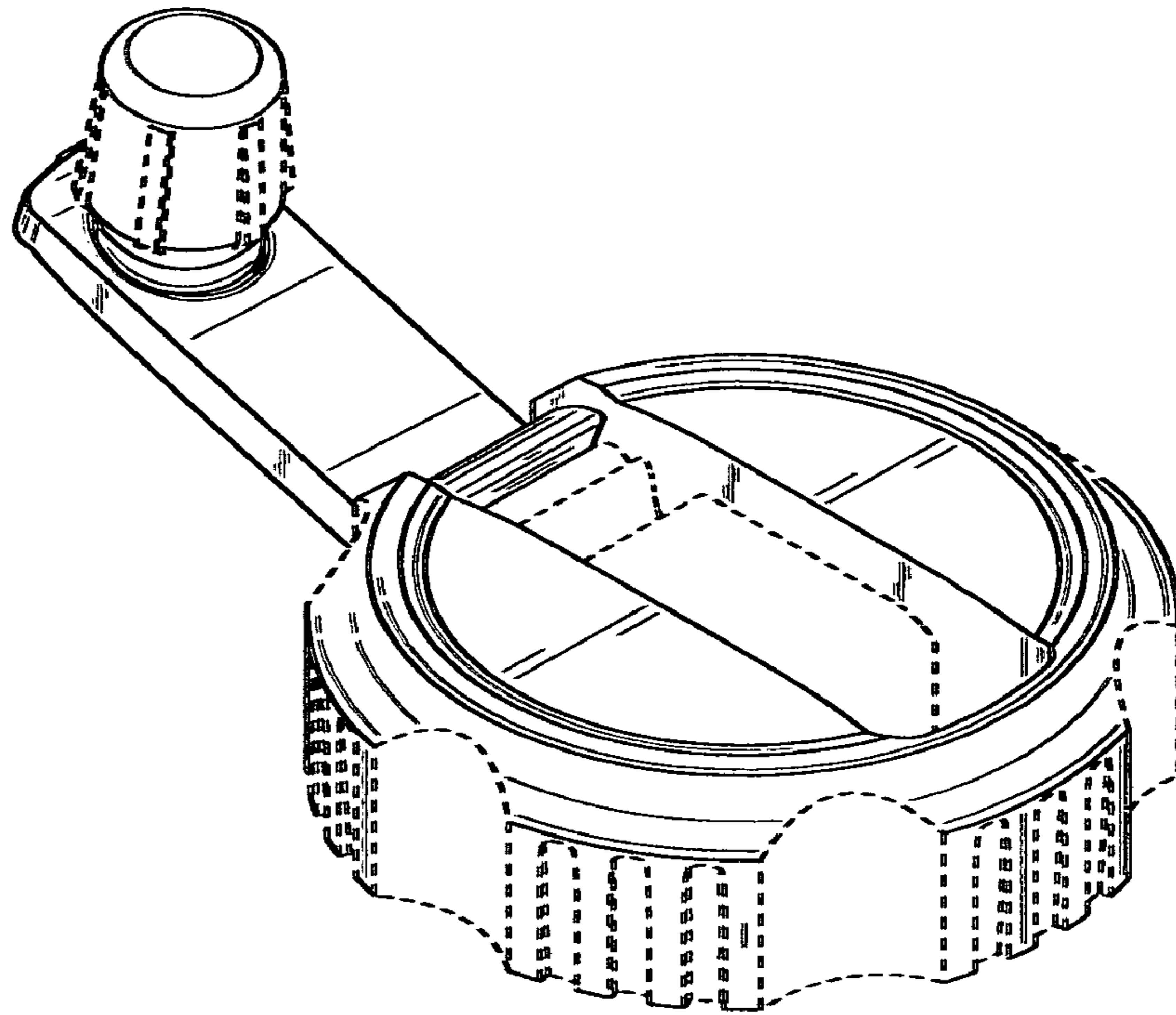


FIG. 8

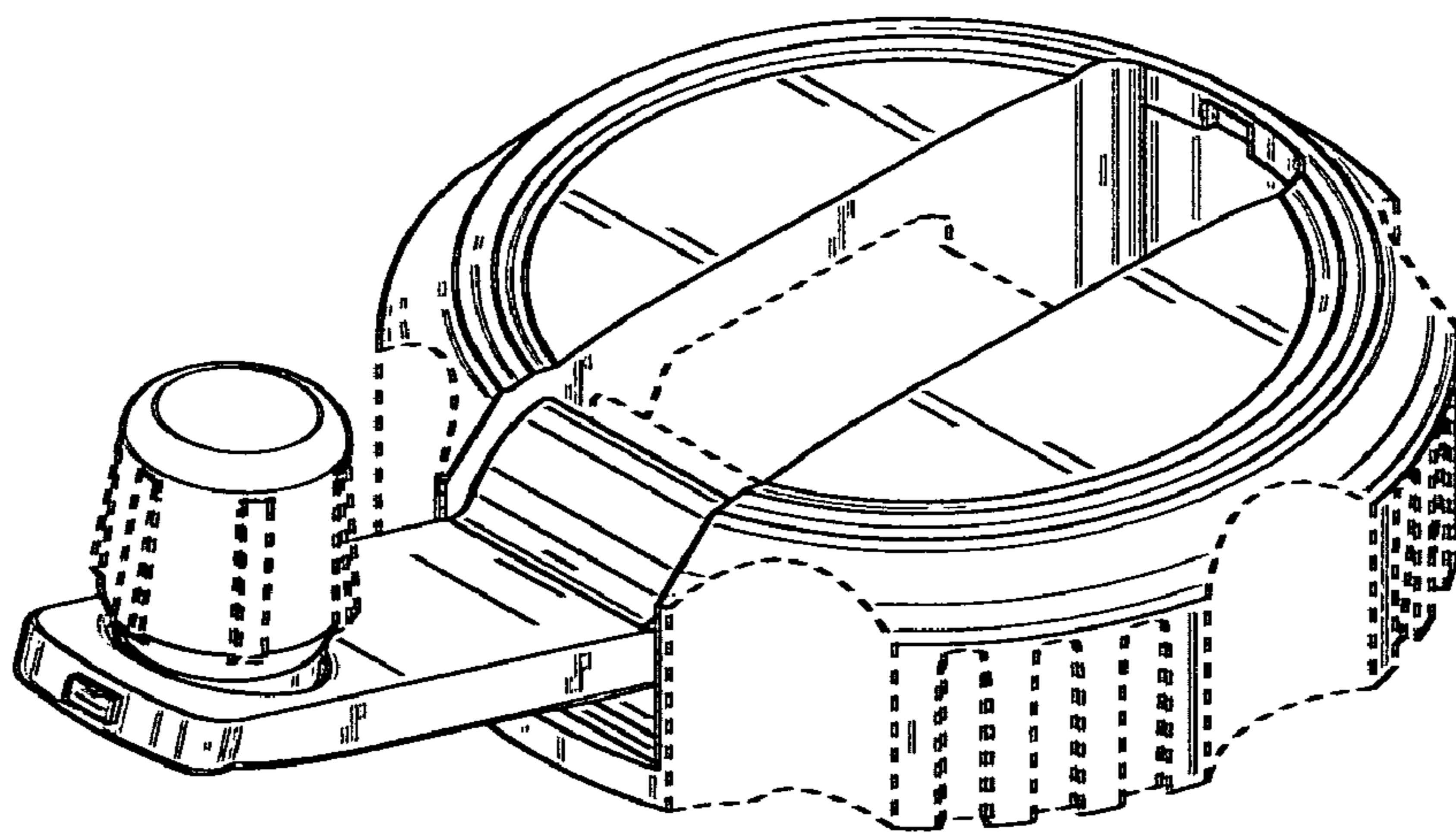


FIG. 9