



US00D655602S

(12) **United States Design Patent**
Hablutzel et al.

(10) **Patent No.:** **US D655,602 S**
(45) **Date of Patent:** **** Mar. 13, 2012**

(54) **PACKAGING CONTAINER HAVING SURFACE ORNAMENTATION**

(75) Inventors: **Molly Ann Hablutzel**, Burlington, KY (US); **Jennifer Merchant**, Cincinnati, OH (US); **Jean Martin Campbell**, Cincinnati, OH (US); **Scott Cunningham**, Cincinnati, OH (US)

(73) Assignee: **The Procter & Gamble Company**, Cincinnati, OH (US)

(**) Term: **14 Years**

(21) Appl. No.: **29/369,717**

(22) Filed: **Sep. 13, 2010**

(51) **LOC (9) Cl.** **09-07**

(52) **U.S. Cl.** **D9/434**

(58) **Field of Classification Search** D9/682, D9/600, 457, 454, 441, 434, 432, 430, 415, D9/414, 418, 704, 552, 551, 669, 750; D11/95; D5/56; D20/40, 36, 28, 27, 26, 22, 11; D14/492, D14/489, 486; 715/976, 840, 764, 715; 229/923, 229/922, 87.19, 116.5, 116.1, 100; 220/694, 220/376

See application file for complete search history.

(56) **References Cited**

U.S. PATENT DOCUMENTS

D79,888 S *	11/1929	MacMillan	D9/432
D259,471 S *	6/1981	Grodin	D9/432
D259,860 S *	7/1981	Grodin	D9/432
D554,500 S *	11/2007	Bone et al.	D9/432
D566,545 S *	4/2008	Bone et al.	D9/432
D587,111 S *	2/2009	Seol et al.	D9/432
D590,250 S *	4/2009	Seol	D9/432
D590,251 S *	4/2009	Seol et al.	D9/432
D590,252 S *	4/2009	Seol et al.	D9/432
D590,253 S *	4/2009	Seol et al.	D9/432
D599,201 S *	9/2009	Seol et al.	D9/432
D599,657 S *	9/2009	Bruno et al.	D9/434
D600,548 S *	9/2009	Seol et al.	D9/432

D603,701 S *	11/2009	Seol et al.	D9/432
D608,636 S *	1/2010	Seol	D9/432
D610,003 S *	2/2010	Gardner	D9/434
D636,667 S *	4/2011	Barclay et al.	D9/432

* cited by examiner

Primary Examiner — Susan Bennett Hattan

(74) *Attorney, Agent, or Firm* — Amanda T. Barry; Alexandra S. Anoff

(57) **CLAIM**

The ornamental design for a packaging container having surface ornamentation, as shown and described.

DESCRIPTION

The patent or application file contains at least one drawing executed in color. Copies of this patent or patent application publication with color drawing(s) will be provided by the Office upon request and payment of the necessary fee.

FIG. 1 is a perspective view of a packaging container having surface ornamentation embodying our new design;

FIG. 2 is a front view thereof;

FIG. 3 is a rear view thereof;

FIG. 4 is a left side view thereof;

FIG. 5 is a right side view thereof;

FIG. 6 is a top view thereof;

FIG. 7 is a bottom view thereof;

FIG. 8 is a perspective view of a fourth embodiment of a packaging container having surface ornamentation embodying our new design;

FIG. 9 is a front view thereof;

FIG. 10 is a rear view thereof;

FIG. 11 is a left side view thereof;

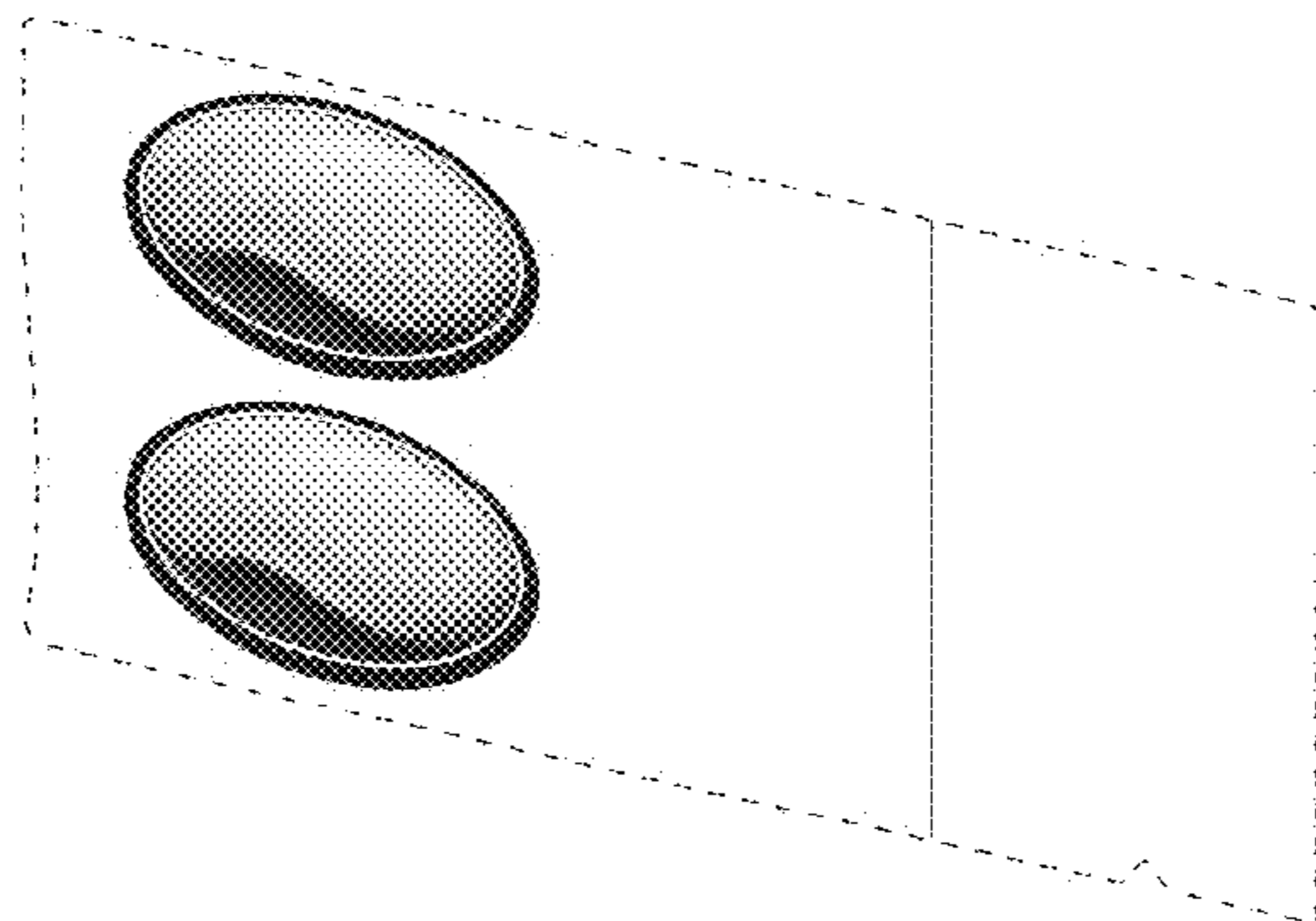
FIG. 12 is a right side view thereof;

FIG. 13 is a top view thereof; and,

FIG. 14 is a bottom view thereof.

The broken lines in the drawings are for illustrative purposes only and do not form a part of the claimed design. In FIGS. 8-9 the stippling indicates color, but not a particular color.

1 Claim, 2 Drawing Sheets
(1 of 2 Drawing Sheet(s) Filed in Color)



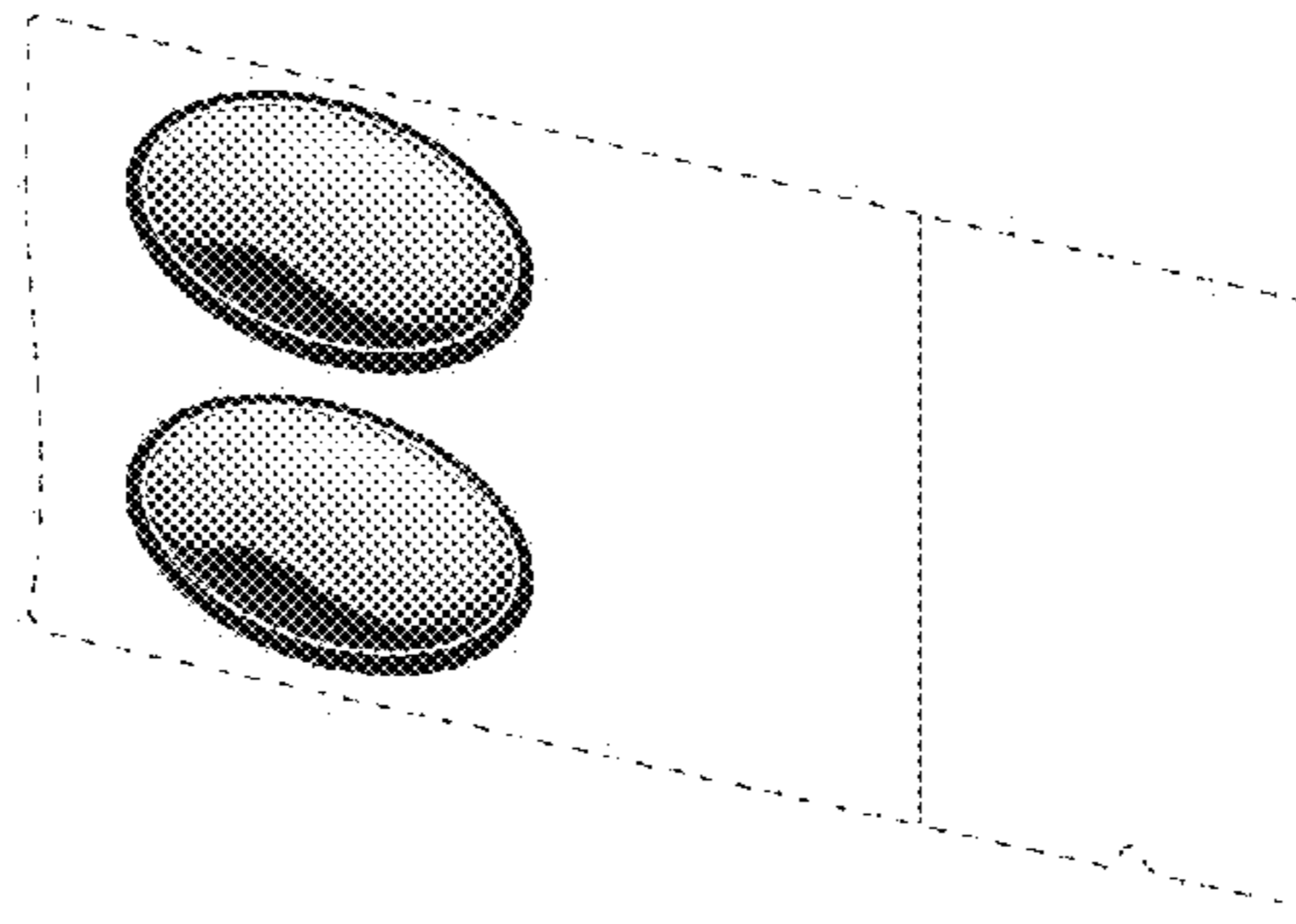


Fig. 1

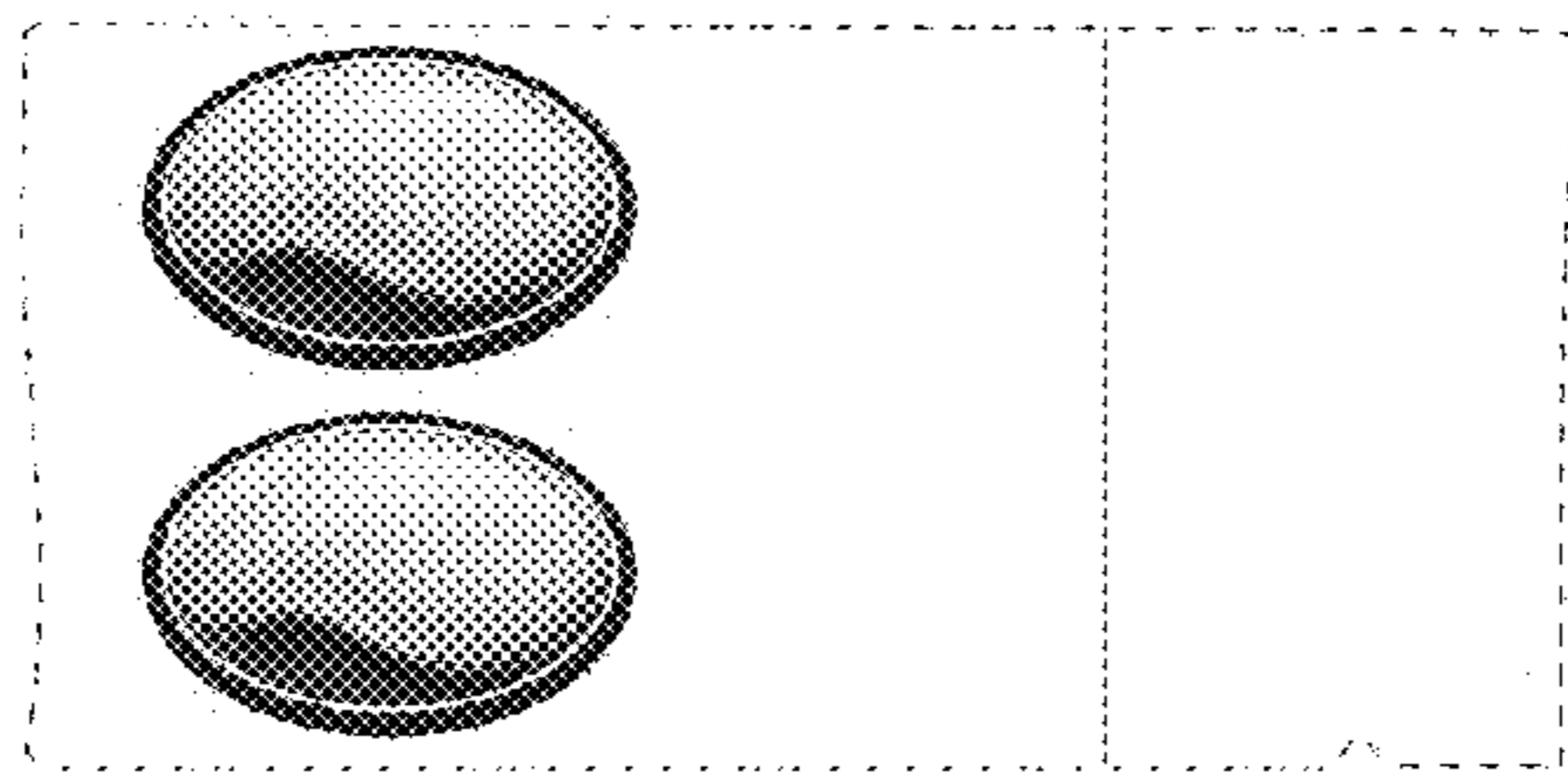


Fig. 2



Fig. 3

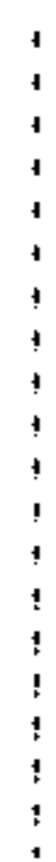


Fig. 4

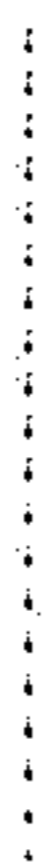


Fig. 5

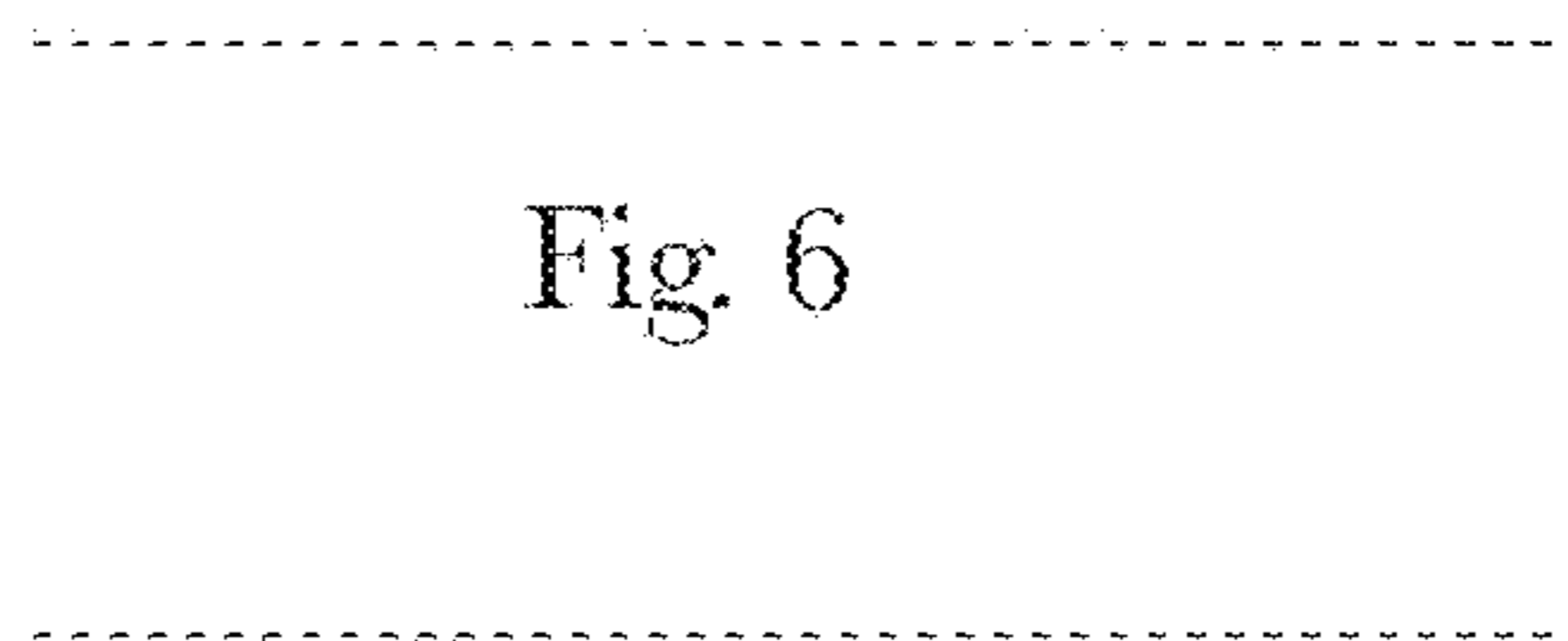


Fig. 6



Fig. 7

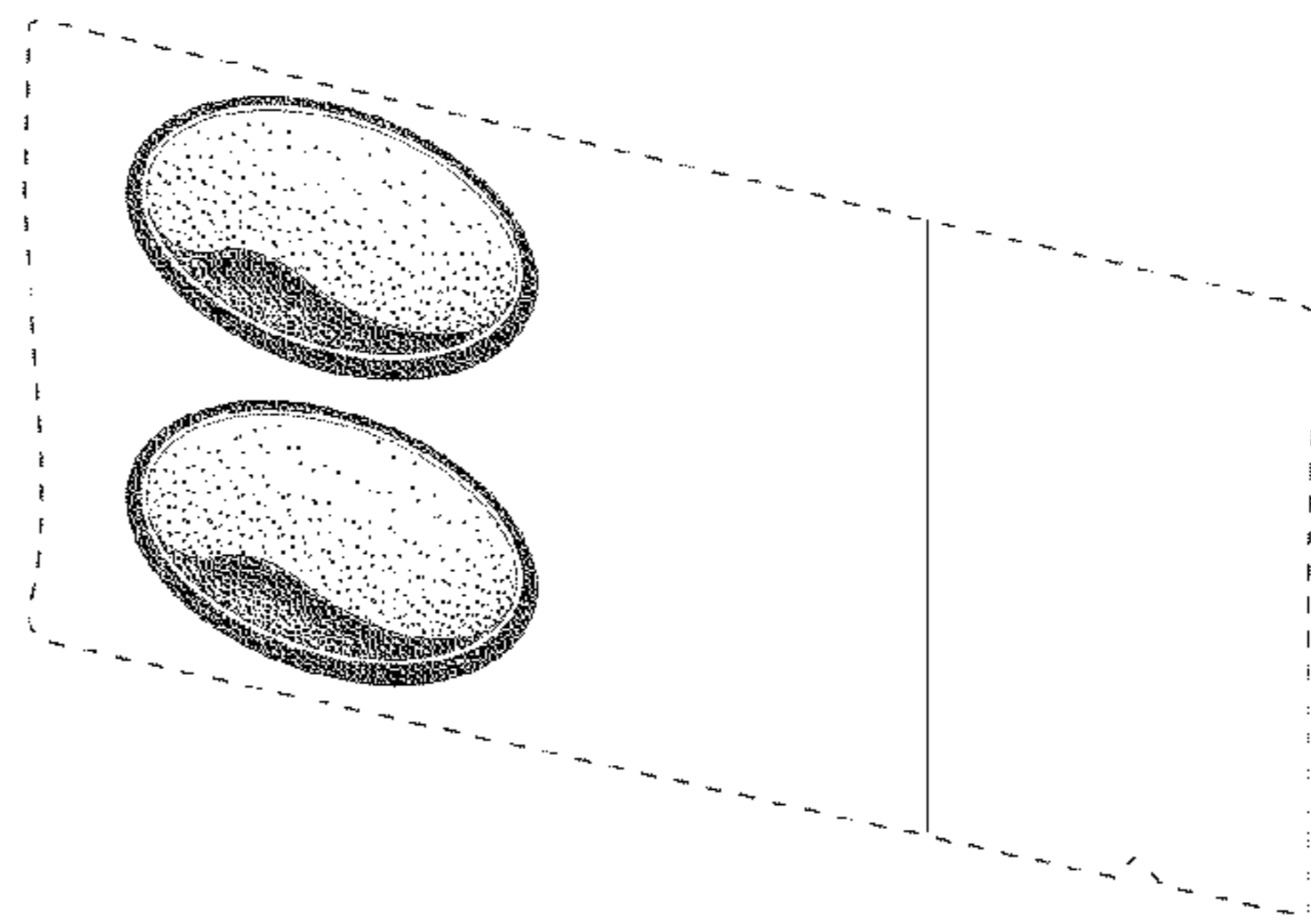


Fig. 8

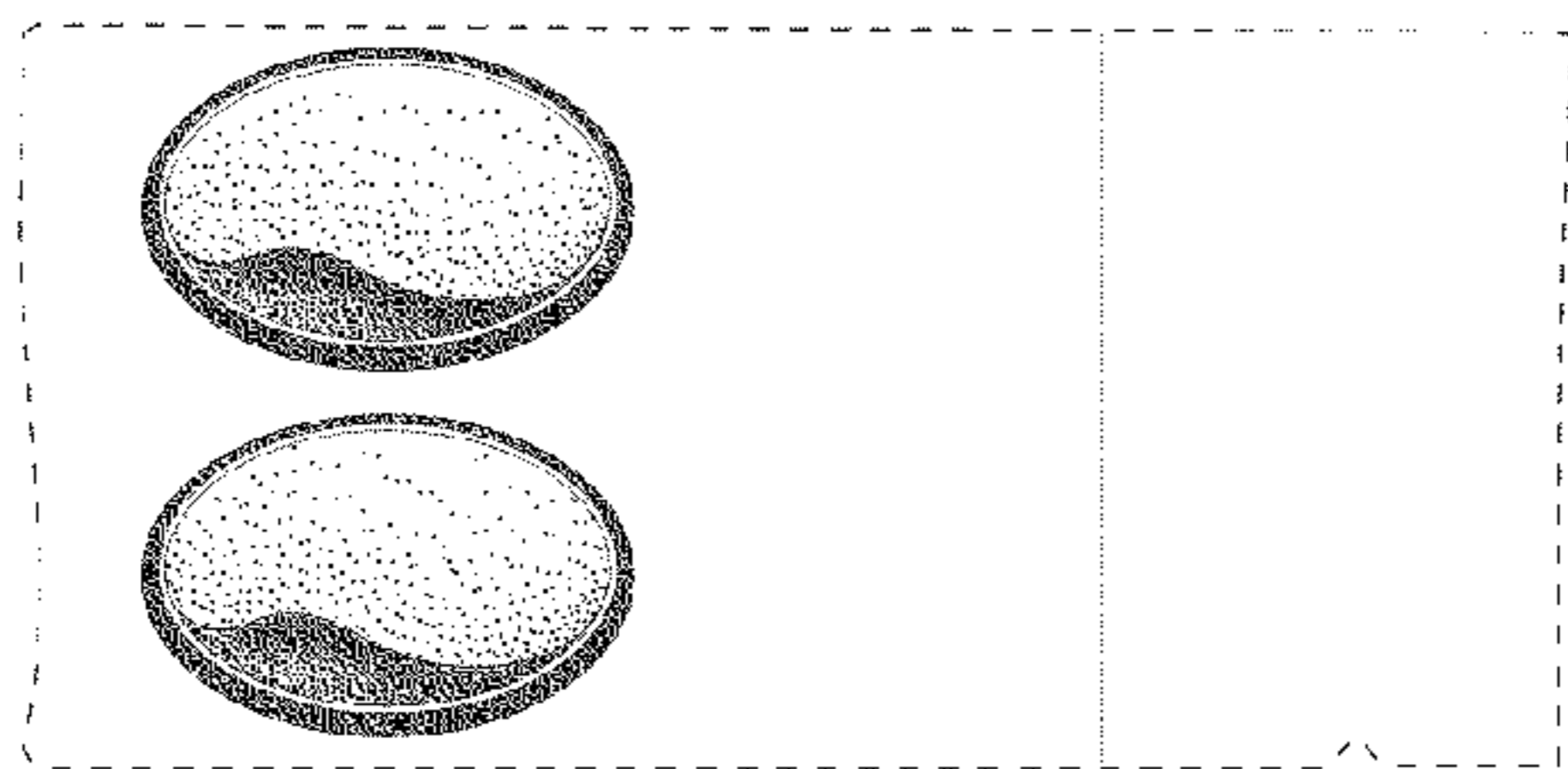


Fig. 9



Fig. 10

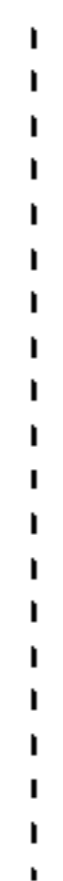


Fig. 11



Fig. 12

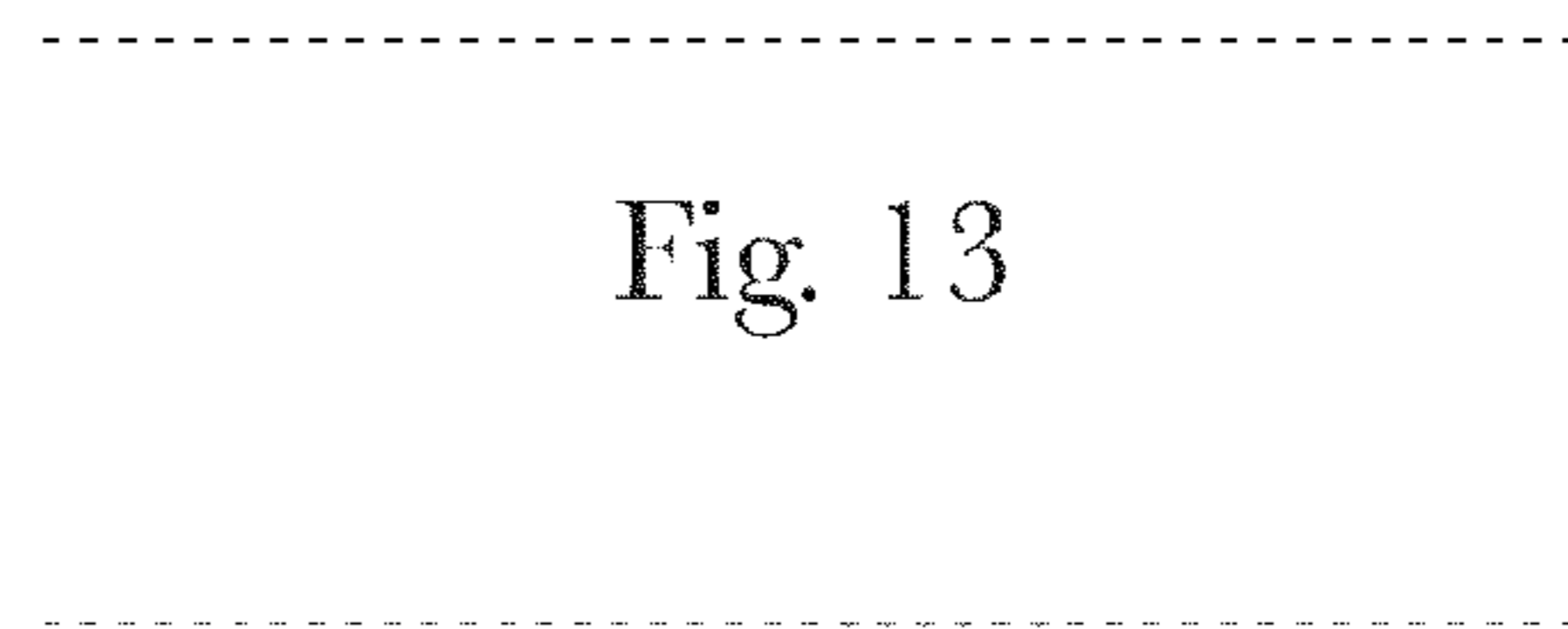


Fig. 13

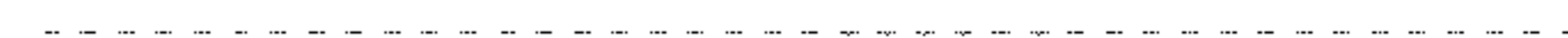


Fig. 14