



US00D655600S

(12) **United States Design Patent**
Work et al.

(10) **Patent No.:** **US D655,600 S**
(45) **Date of Patent:** **** Mar. 13, 2012**

(54) **CONTAINER WINDOW DESIGN**
(75) Inventors: **Jeffrey Alan Work**, Independence, KY (US); **Catherine Suzanne Sonnett**, Norwood, OH (US); **Thomas Abram Adams**, Walton, KY (US)

(73) Assignee: **The Procter & Gamble Company**, Cincinnati, OH (US)

(**) Term: **14 Years**

(21) Appl. No.: **29/401,006**

(22) Filed: **Sep. 6, 2011**

Related U.S. Application Data

(62) Division of application No. 29/344,524, filed on Sep. 30, 2009, now Pat. No. Des. 628,882.

(51) **LOC (9) Cl.** **09-03**

(52) **U.S. Cl.** **D9/418**

(58) **Field of Classification Search** D9/414-418, D9/420-426, 430-433; D7/357, 629, 602, D7/553.1-553.8, 538, 591, 615; 206/315.9, 206/485, 521.1, 539, 564, 541, 546, 588, 206/766, 779, 822; 220/23.8, 23.83, 315, 220/324, 326, 367, 556, 4.21, 4.23, 835, 220/839; 229/406, 902-904, 906, 407, 110; D6/470, 397, 441

See application file for complete search history.

(56) **References Cited**

U.S. PATENT DOCUMENTS

D297,415 S	8/1988	Gavin	
D329,376 S	9/1992	Burd	
D396,329 S	7/1998	Litton	
D462,264 S	9/2002	Barr	
D488,062 S	4/2004	Shannon	
D543,450 S	5/2007	Wätzig	
D543,451 S	5/2007	Timmermans	
D562,126 S	2/2008	Kienemund-Paroll	
D576,483 S	9/2008	Wintmolders	
D628,882 S *	12/2010	Work et al. D9/418

D636,663 S *	4/2011	Work et al. D9/418
D639,652 S *	6/2011	Abdalkhani et al. D9/418
D644,922 S *	9/2011	Smith et al. D9/418
D646,157 S *	10/2011	Work et al. D9/418

OTHER PUBLICATIONS

Procter & Gamble, Olay Regenerist Advanced Anti-Aging, DNA Superstructure UV Cream SPF 25, Jul. 2009, www.gnpd.com, 3 pages.

Procter & Gamble, Olay Regenerist Reversal Treatment Foam, Nov. 2008, www.gnpd.com, 3 pages.

http://oami.europa.eu/RCDOOnline/RequestManager; design No. 000527270-0014; filing date: Nov. 5, 2006; 2 pages.

http://oami.europa.eu/RCDOOnline/RequestManager; design No. 000527270-0015; filing date: Nov. 5, 2006; 2 pages.

http://oami.europa.eu/RCDOOnline/RequestManager; design No. 000527270-0016; filing date: Nov. 5, 2006; 2 pages.

http://oami.europa.eu/RCDOOnline/RequestManager; design No. 000527270-0017; filing date: Nov. 5, 2006; 2 pages.

* cited by examiner

Primary Examiner — Thomas Johannes

(74) *Attorney, Agent, or Firm* — S. Robert Chuey; Eric T. Addington

(57) **CLAIM**

The ornamental design for a container window design, as shown and described.

DESCRIPTION

FIG. 1 is a perspective view of a container window design, showing our new design;

FIG. 2 is front elevation view thereof;

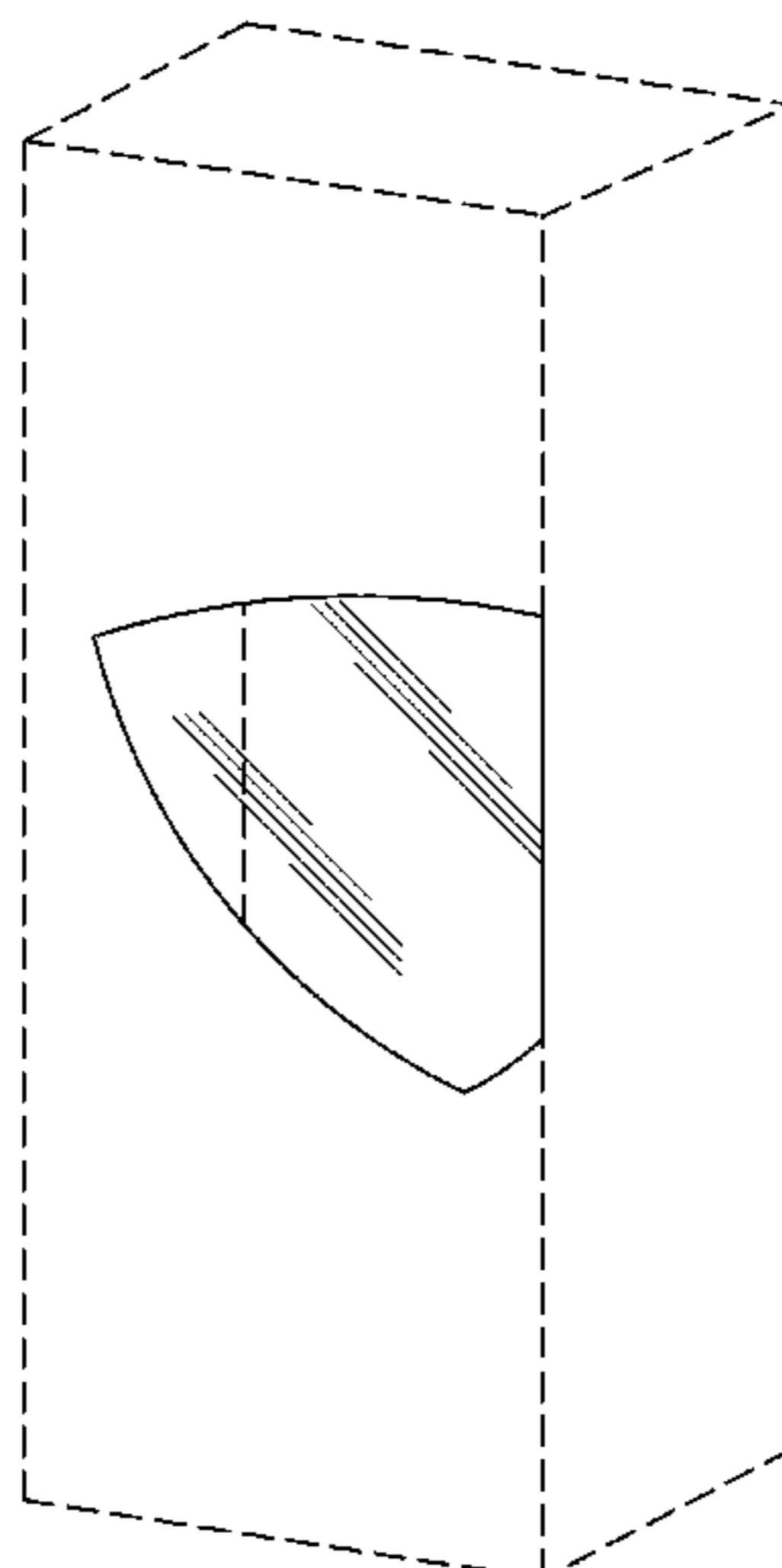
FIG. 3 is a rear elevation view thereof;

FIG. 4 is a left side elevation view thereof; with the right side elevation being identical thereto; and,

FIG. 5 is a top plan view thereof; with the bottom plan view being identical thereto.

The broken line portion of the figure drawings is included to show unclaimed subject matter only and forms no part of the claimed design.

1 Claim, 5 Drawing Sheets



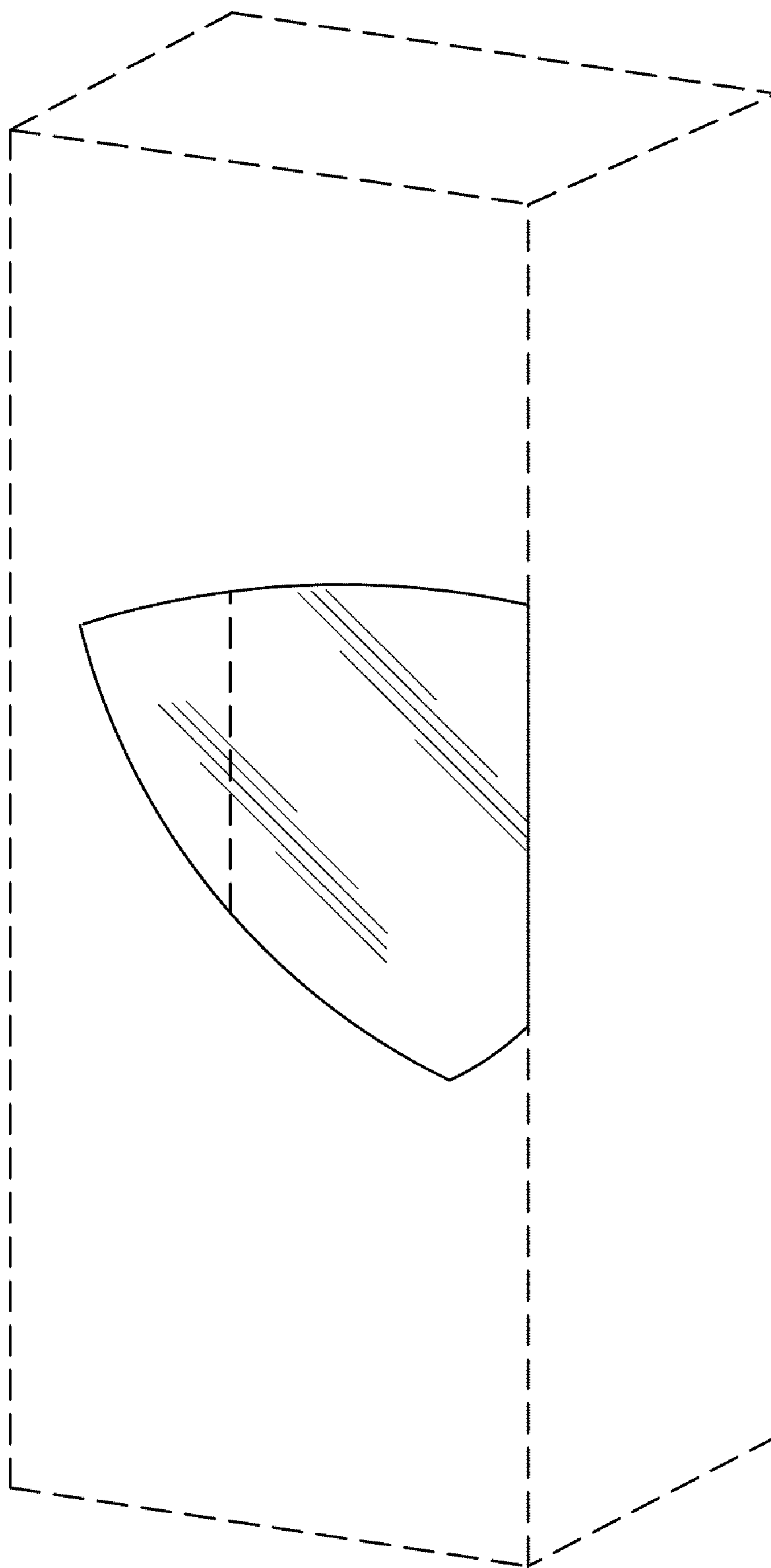


Fig. 1

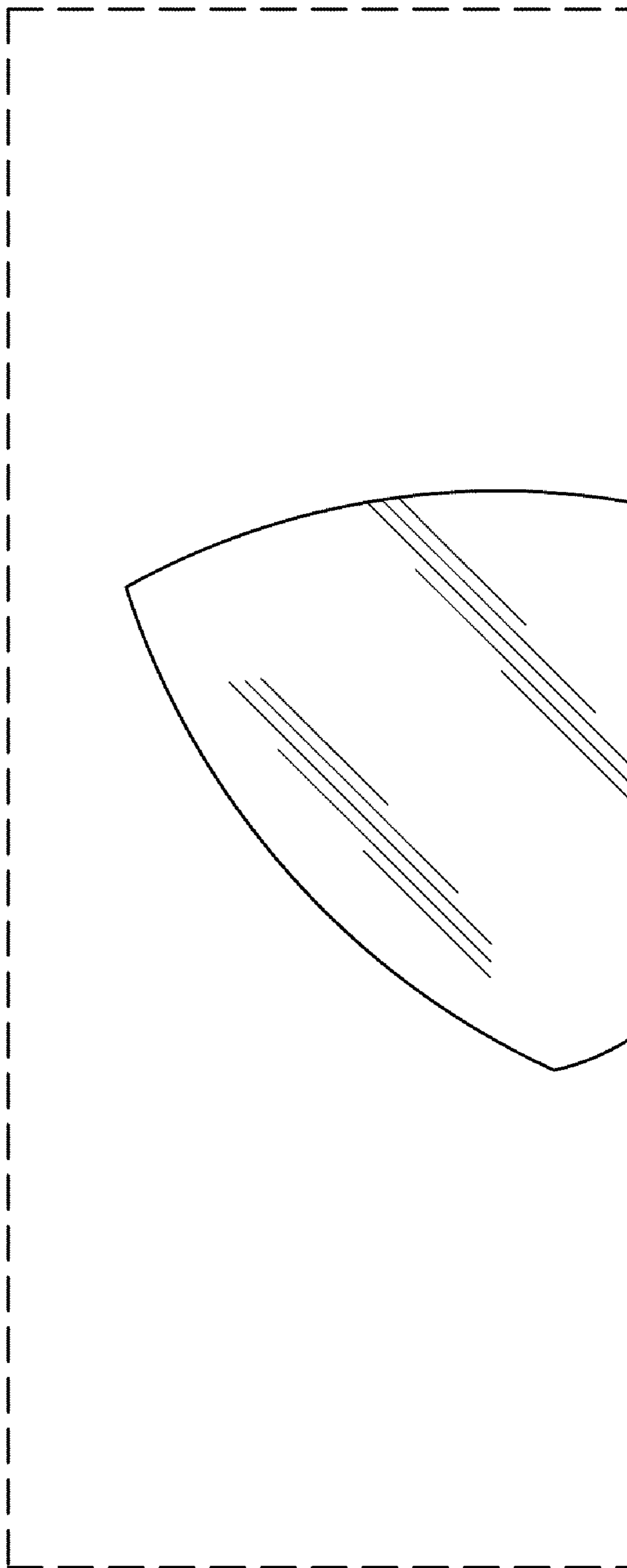


Fig. 2



Fig. 3

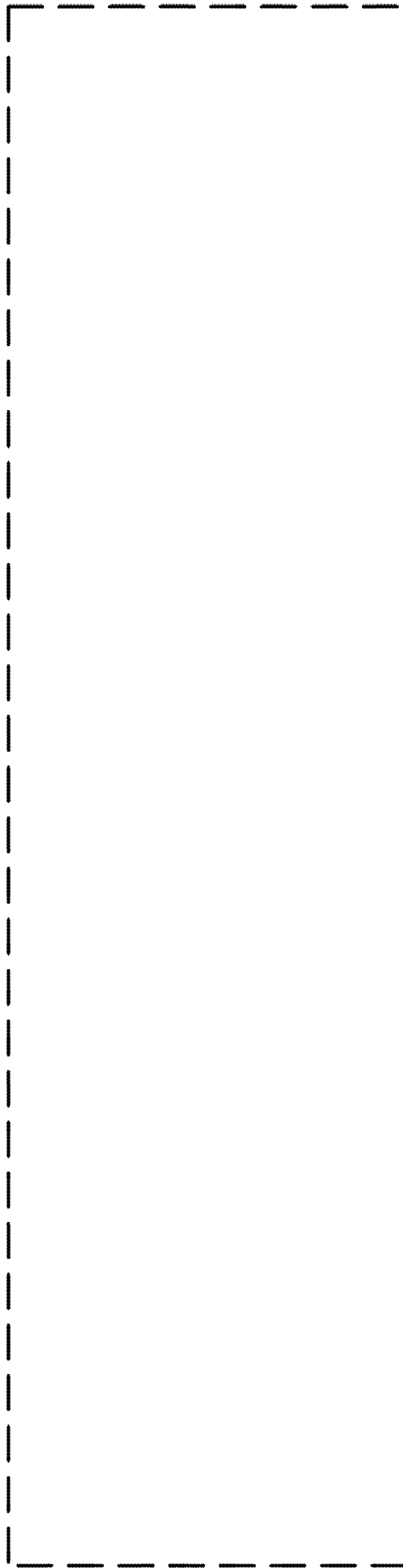


Fig. 4



Fig. 5