



US00D655599S

(12) **United States Design Patent**  
**Durham**

(10) **Patent No.:** **US D655,599 S**

(45) **Date of Patent:** **\*\* Mar. 13, 2012**

(54) **WALL OR DOOR MOUNTABLE HOLDER**

(76) Inventor: **Bill Durham**, Chandler, AZ (US)

(\*\*) Term: **14 Years**

(21) Appl. No.: **29/382,145**

(22) Filed: **Dec. 29, 2010**

(51) **LOC (9) Cl.** ..... **08-05**

(52) **U.S. Cl.** ..... **D8/367; D8/355**

(58) **Field of Classification Search** ..... D8/367,  
D8/371, 373, 354, 349, 355; D6/323; 248/215,  
248/301, 339; 160/349.1, 349.2; 24/265 H,  
24/265 R, 599.1, 599.8, 113 R; 294/82.18;  
29/525.1, 45.3; D3/24; 223/106

See application file for complete search history.

(56) **References Cited**

**U.S. PATENT DOCUMENTS**

3,391,419	A *	7/1968	Thorne-Thomsen	.....	16/441
D442,073	S *	5/2001	Lyndon	.....	D8/367
D455,948	S *	4/2002	Zetsche	.....	D8/367
D523,251	S *	6/2006	Parpala	.....	D6/352
D541,634	S *	5/2007	Schmidhauser	.....	D8/354
D545,664	S *	7/2007	Fields	.....	D8/310
7,278,809	B2 *	10/2007	Aukzemas et al.	.....	411/432
D554,469	S *	11/2007	Sato	.....	D8/310
D569,219	S *	5/2008	Sjogren	.....	D8/310
D575,141	S *	8/2008	Goodman et al.	.....	D8/367

7,465,136	B2 *	12/2008	Nagayama	.....	411/178
D594,735	S *	6/2009	Hofer	.....	D8/349
D623,868	S *	9/2010	Schiestl	.....	D6/323
D623,926	S *	9/2010	Esjunin	.....	D8/354
D625,170	S *	10/2010	McGrath	.....	D8/355
D635,011	S *	3/2011	Fortier	.....	D8/355

\* cited by examiner

*Primary Examiner* — Cynthia Underwood

(74) *Attorney, Agent, or Firm* — Venable, Campillo, Logan & Meaney, PC

(57) **CLAIM**

The ornamental design for an wall or door mountable holder, as shown and described.

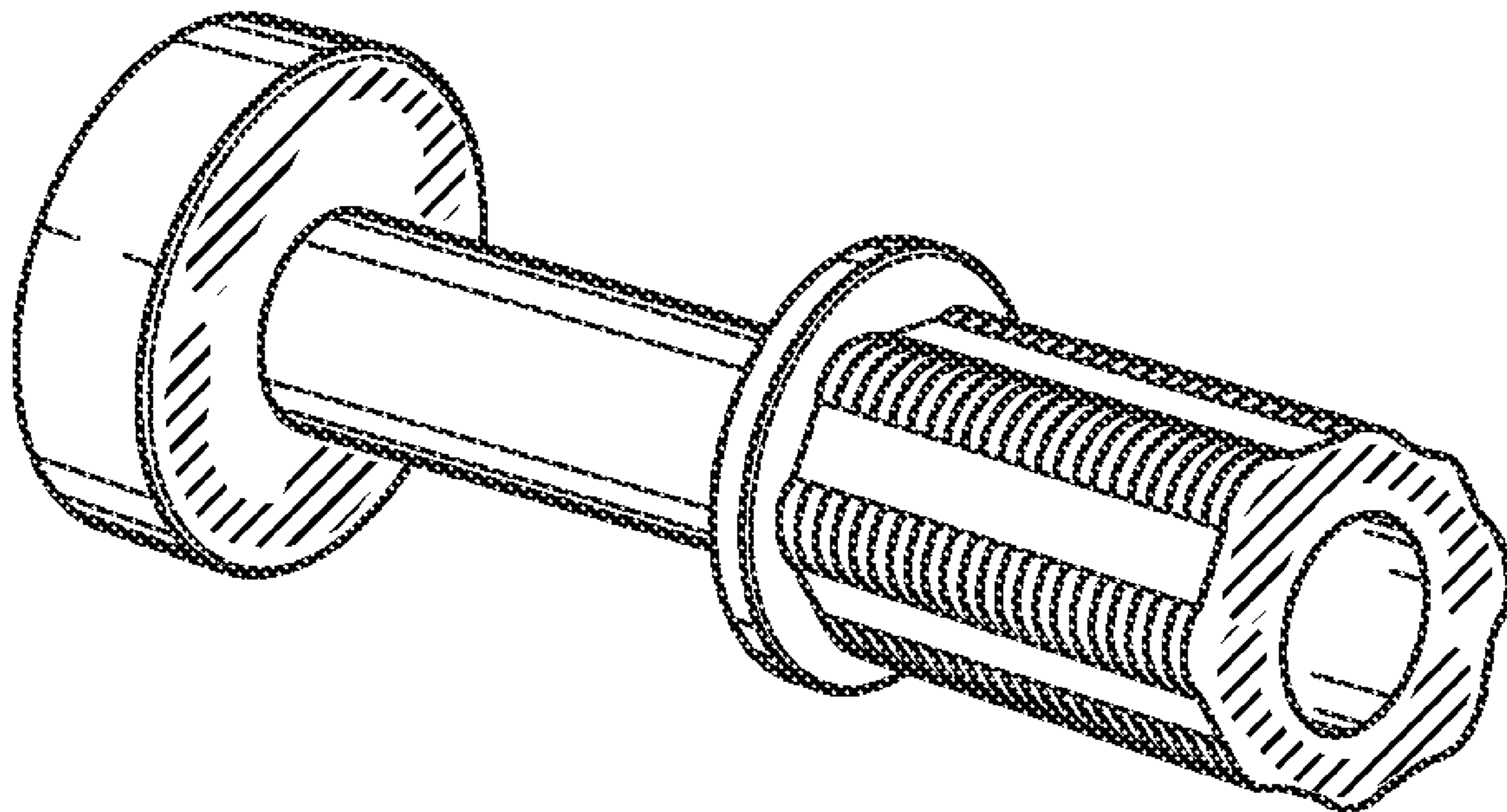
**DESCRIPTION**

FIG. 1 is a right side exploded view of a wall or door mountable holder embodying the new design; FIG. 2 is a right side partially assembled view; FIG. 3 is a right side assembled view; FIG. 4 is a right, top, front, perspective view; and, FIG. 5 is a left, rear, top perspective view.

The opposite side of each figure is a mirror image of that figure.

The broken line representations of the mounting receptacle and screw are for purposes of illustration, and form no part of the claimed design.

**1 Claim, 1 Drawing Sheet**



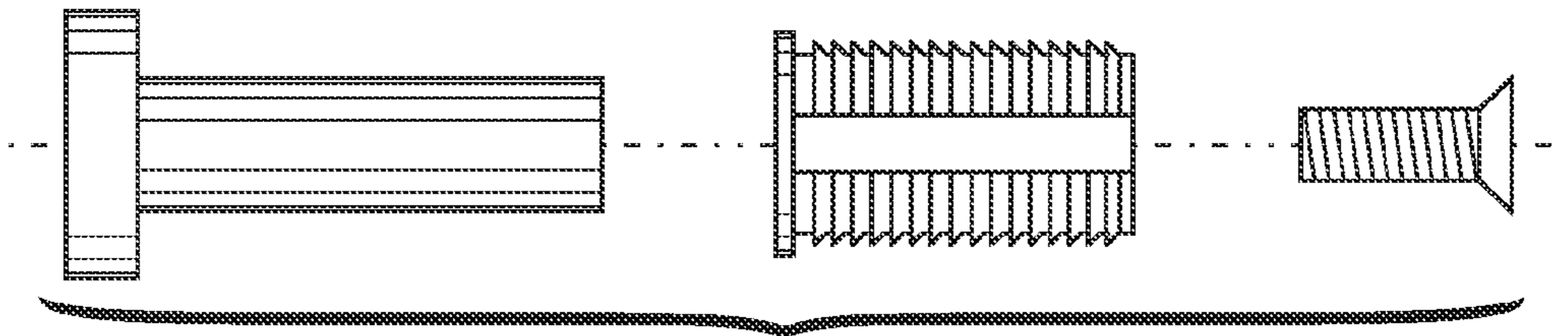


Fig. 1

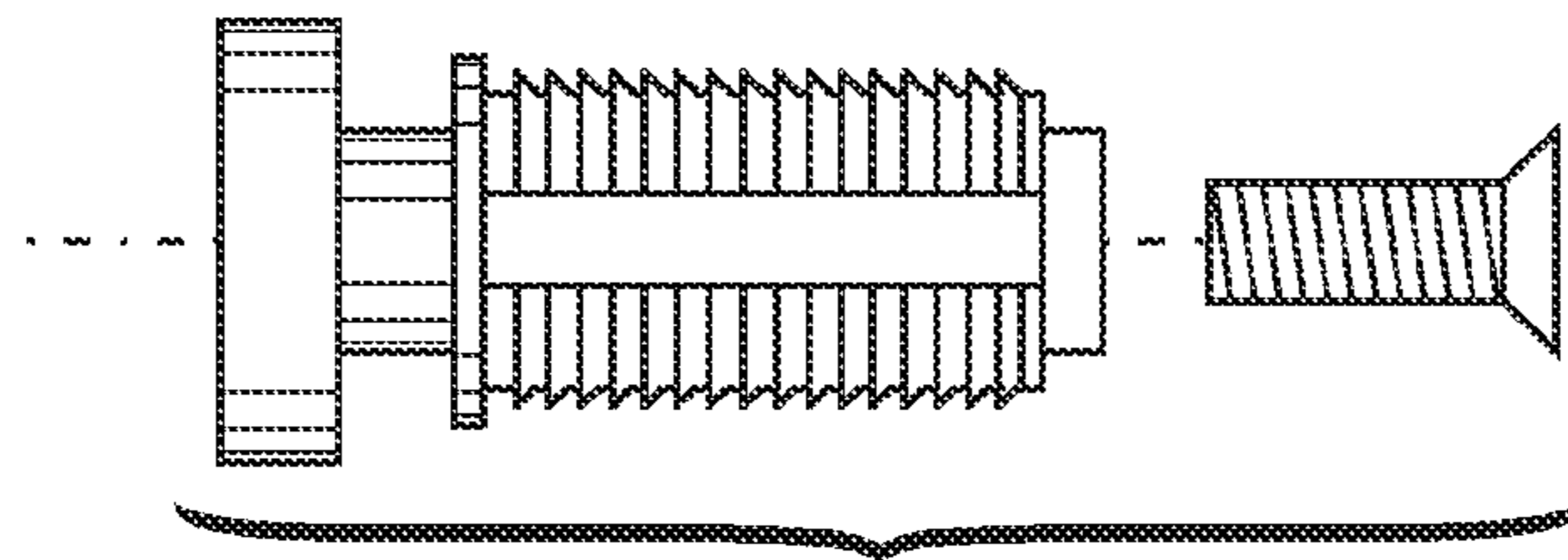


Fig. 2

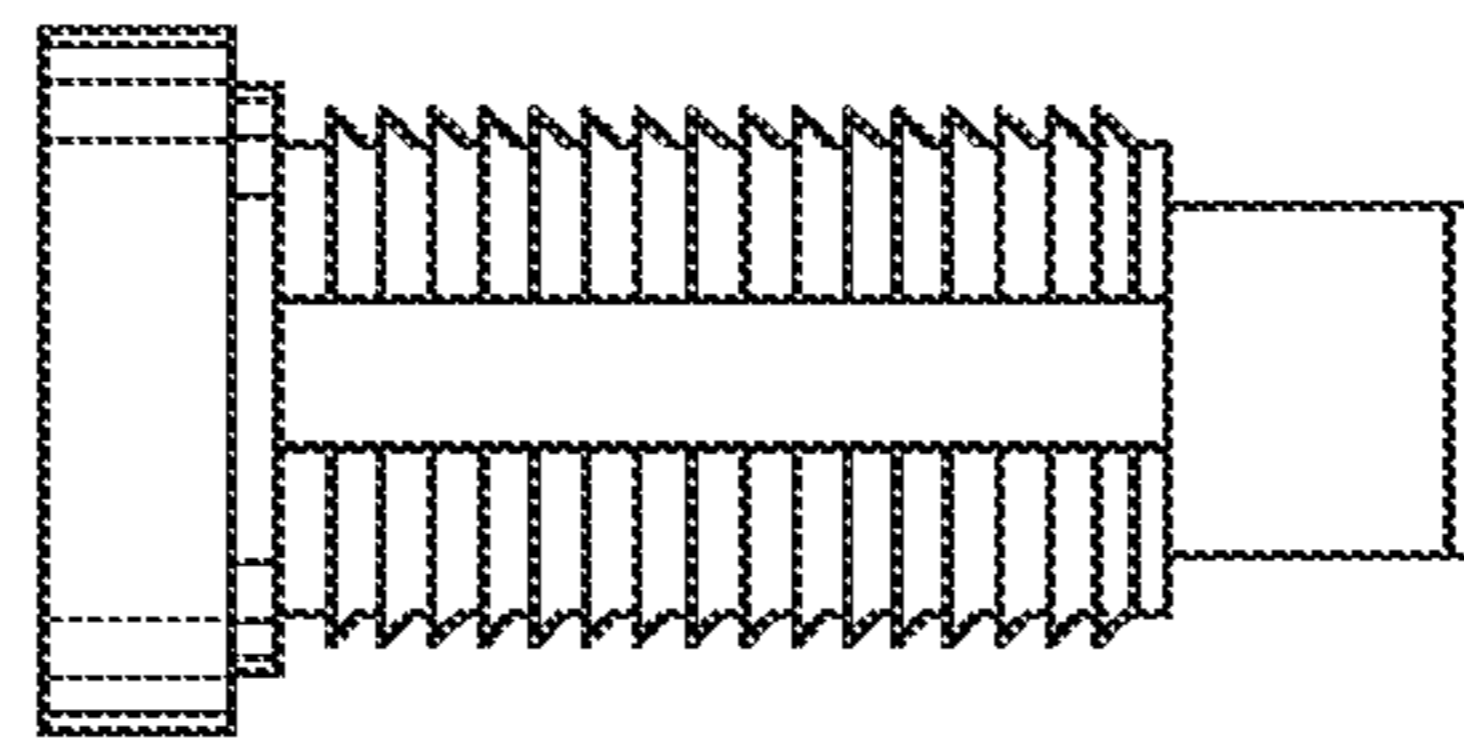


Fig. 3

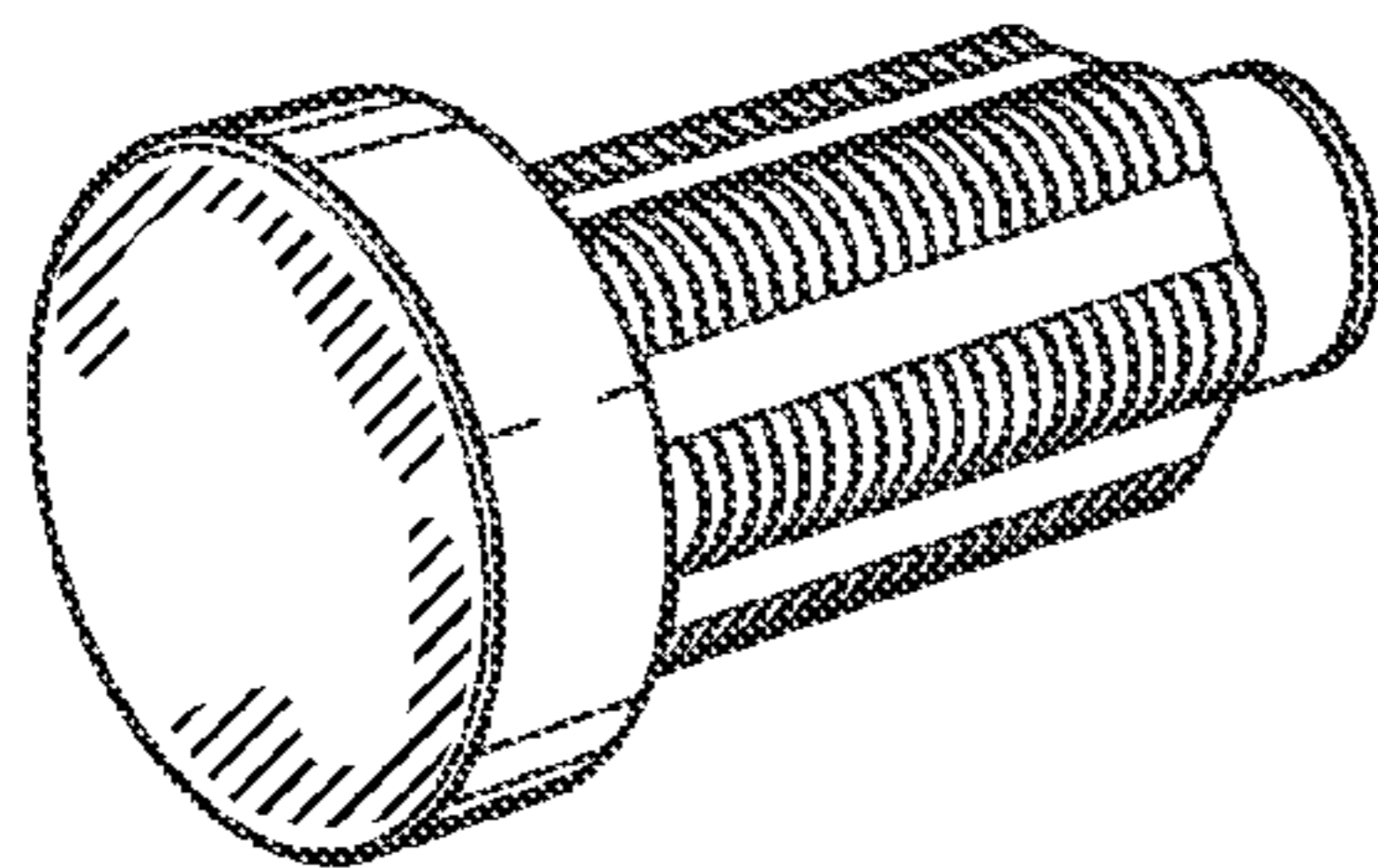


Fig. 4

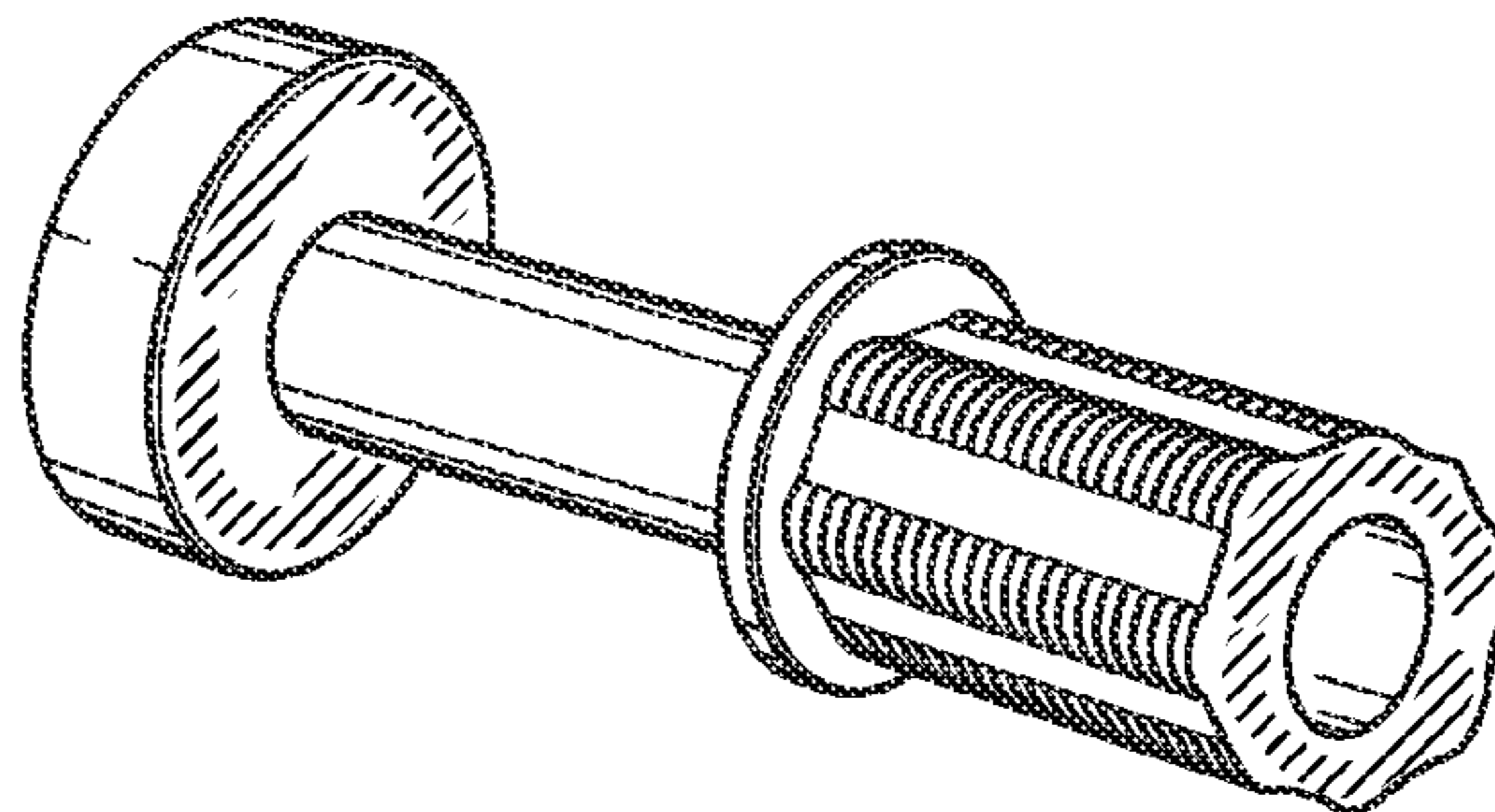


Fig. 5