



US00D655597S

(12) **United States Design Patent**
Matzek et al.

(10) **Patent No.:** **US D655,597 S**
(45) **Date of Patent:** **** Mar. 13, 2012**

(54) **STEP DEVICE**

(75) Inventors: **Jared Matzek**, Hager City, WI (US); **Ed Jacobs**, Germantown, TN (US)

(73) Assignee: **Thomas & Betts International, Inc.**,
Wilmington, DE (US)

(**) Term: **14 Years**

(21) Appl. No.: **29/370,451**

(22) Filed: **Jul. 19, 2010**

(51) **LOC (9) Cl.** **08-05**

(52) **U.S. Cl.** **D8/349; D8/380; D25/69**

(58) **Field of Classification Search** D8/349,
D8/354, 356, 363, 364, 380-383, 394, 397,
D8/399, 395, 303; D12/203; 248/218.4;
182/92; D25/69

See application file for complete search history.

(56) **References Cited**

U.S. PATENT DOCUMENTS

338,528	A	3/1886	Hyde	
459,844	A *	9/1891	Thomas	182/92
601,849	A *	4/1898	Aiken	182/92
614,177	A *	11/1898	McBride	182/92
770,205	A *	9/1904	Warren	182/92
907,483	A	12/1908	Ette	
D42,598	S *	6/1912	White	D25/69
1,211,992	A	1/1917	Winter	
1,588,566	A *	6/1926	Wismer	182/92
1,630,293	A *	5/1927	Fish	182/92
2,332,477	A	10/1943	Thornley	304/14
2,957,538	A *	10/1960	Pottmeyer et al.	182/90
D198,197	S *	5/1964	Utz	D8/303
3,399,746	A	9/1968	Wood	182/92
D230,719	S *	3/1974	Gouch	D12/106
4,696,372	A *	9/1987	Fields	182/92
D297,169	S *	8/1988	Trani, Sr.	D25/69
4,830,143	A	5/1989	Fisher	182/135
D323,284	S *	1/1992	Thompson	D8/363
D330,849	S *	11/1992	Stubbersfield et al.	D8/364
5,279,388	A *	1/1994	Laughlin et al.	182/92
D351,030	S *	9/1994	Laughlin et al.	D25/69
5,544,717	A	8/1996	White et al.	182/90
5,806,628	A *	9/1998	Fullam et al.	182/134
D401,281	S *	11/1998	Huerta	D19/69
D406,906	S *	3/1999	Kinoshita	D25/69
D411,097	S *	6/1999	Brousseau et al.	D8/349

5,941,485	A	8/1999	Davidson et al.	248/218.4
D427,895	S *	7/2000	Morton	D8/382
6,378,822	B1	4/2002	Franks	248/218.4
6,484,981	B1 *	11/2002	Perrault	248/218.4
6,484,982	B1	11/2002	Barry et al.	248/218.4
6,491,272	B1	12/2002	Franks	248/218.4
D474,436	S *	5/2003	Richardson	D12/203
6,595,323	B2	7/2003	Lindsey et al.	182/92
7,066,298	B1	6/2006	Mackinnon	182/92
D546,733	S *	7/2007	Tanaka	D12/114
D626,816	S *	11/2010	Claxton	D8/303
2001/0006113	A1 *	7/2001	Mori	174/72 A
2002/0066620	A1 *	6/2002	Lindsey et al.	182/92
2004/0129496	A1 *	7/2004	Clark	182/92
2007/0089928	A1 *	4/2007	Evans	182/92

* cited by examiner

Primary Examiner — Jeffrey D Asch

(74) *Attorney, Agent, or Firm* — G. Andrew Barger; Robbie Elaine Gooch

(57) **CLAIM**

The ornamental design for a step device, as shown and described.

DESCRIPTION

FIG. 1 is a top perspective view of the step device of the present invention;

FIG. 2 is a bottom perspective view thereof;

FIG. 3 is a side elevation view thereof;

FIG. 4 is a back elevation view thereof;

FIG. 5 is a side elevation view thereof;

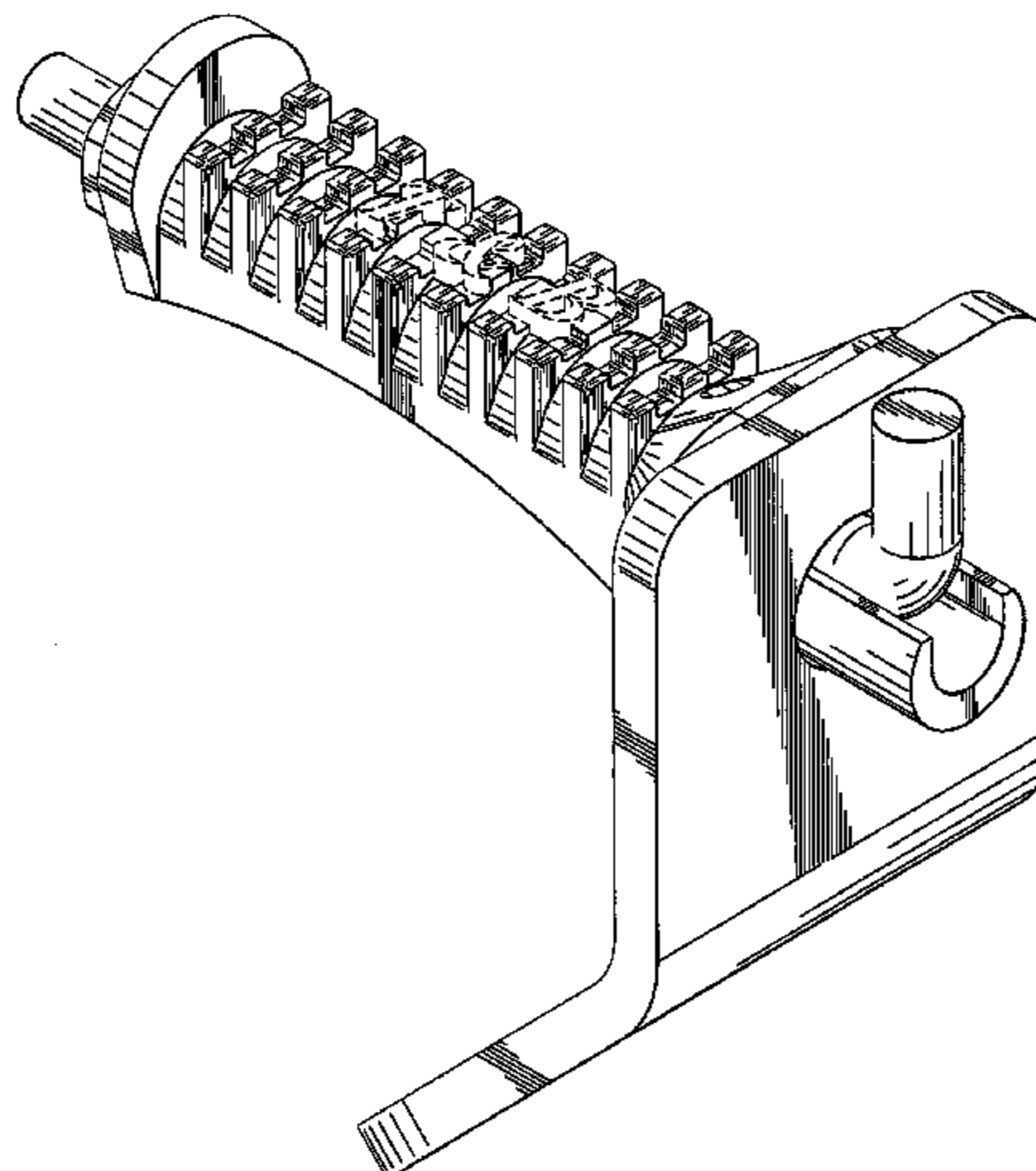
FIG. 6 is a front elevation view thereof;

FIG. 7 is a top plan view thereof; and,

FIG. 8 is a bottom plan view thereof.

The broken lines shown throughout the views, which are immediately adjacent to the shaded areas and define unshaded regions, represent the bounds of the claimed design, while all other broken lines are directed to environment and are for illustrative purposes only; the broken lines form no part of the claimed design. The broken line, non-claimed, subject matter showing "T&B" is a registered trademark of Thomas & Betts International, Inc.

1 Claim, 6 Drawing Sheets



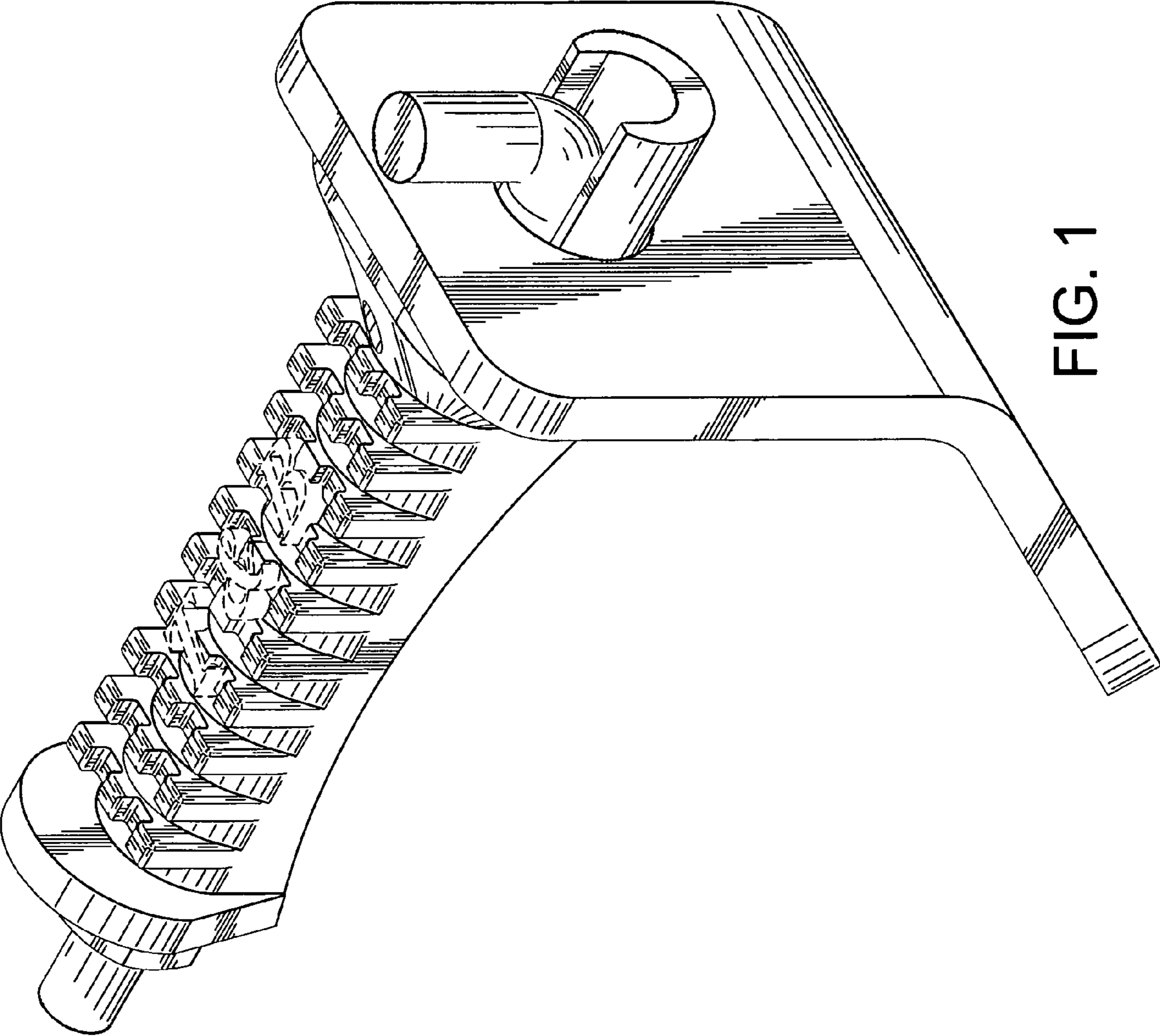


FIG. 1

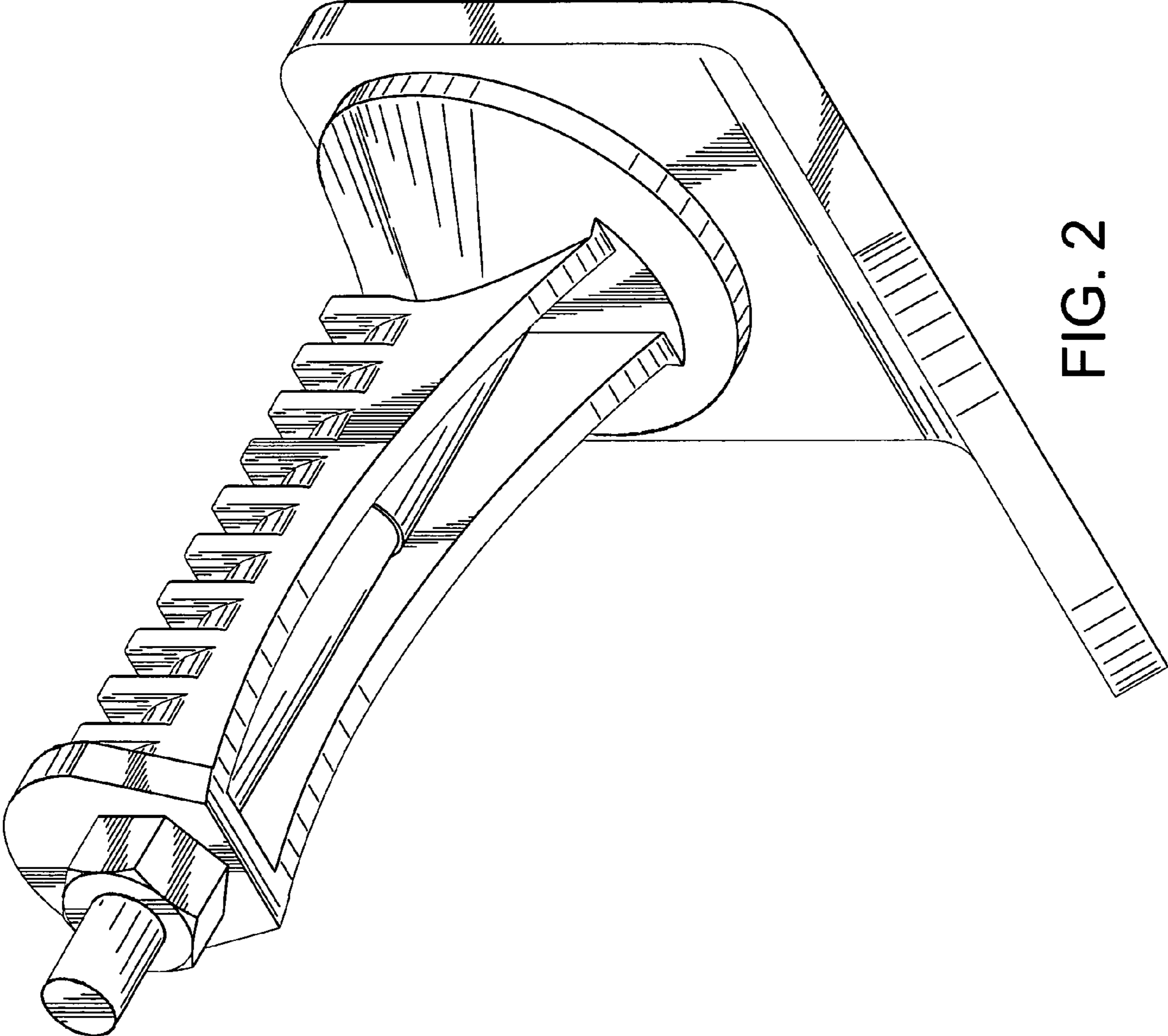


FIG. 2

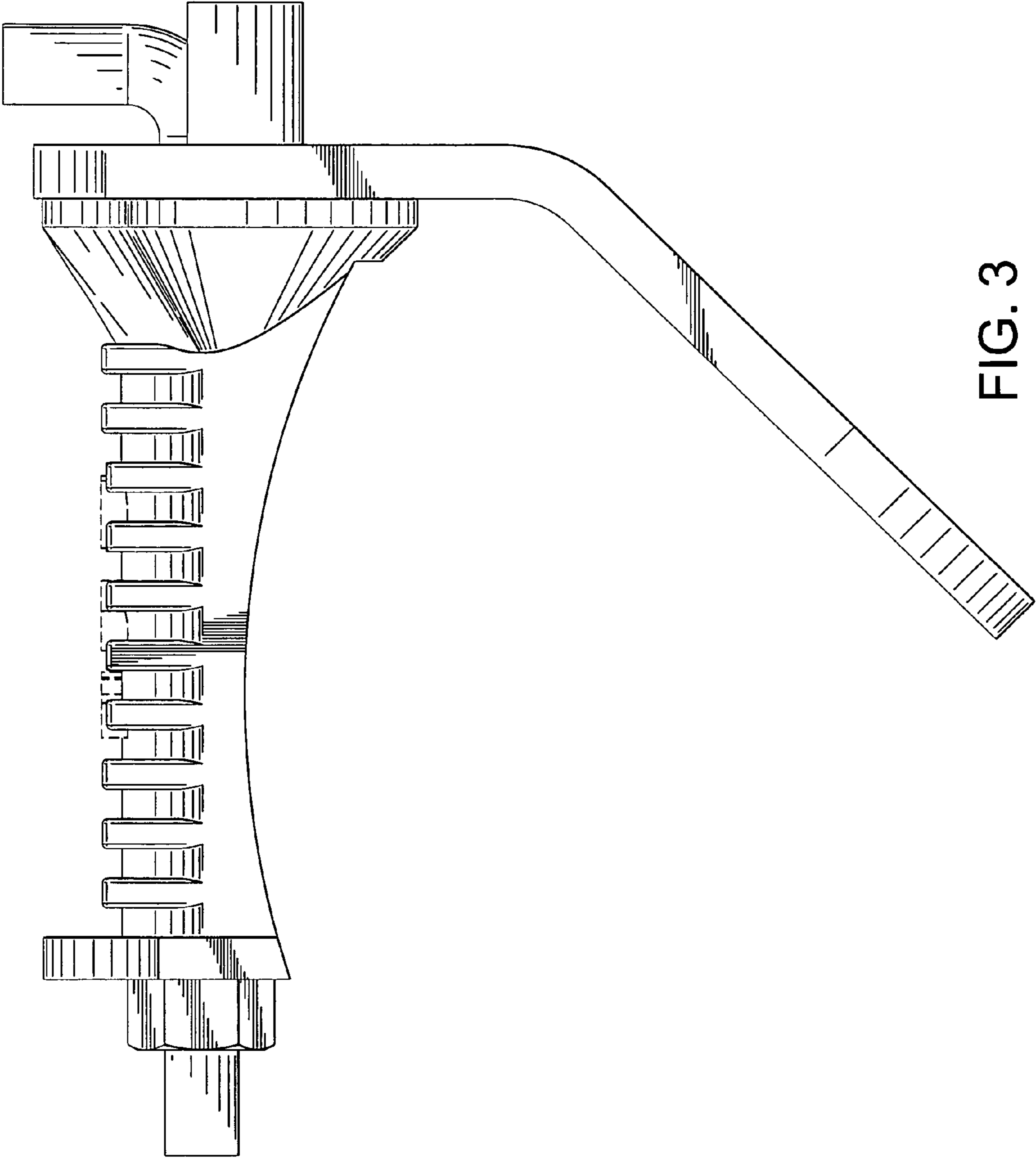


FIG. 3

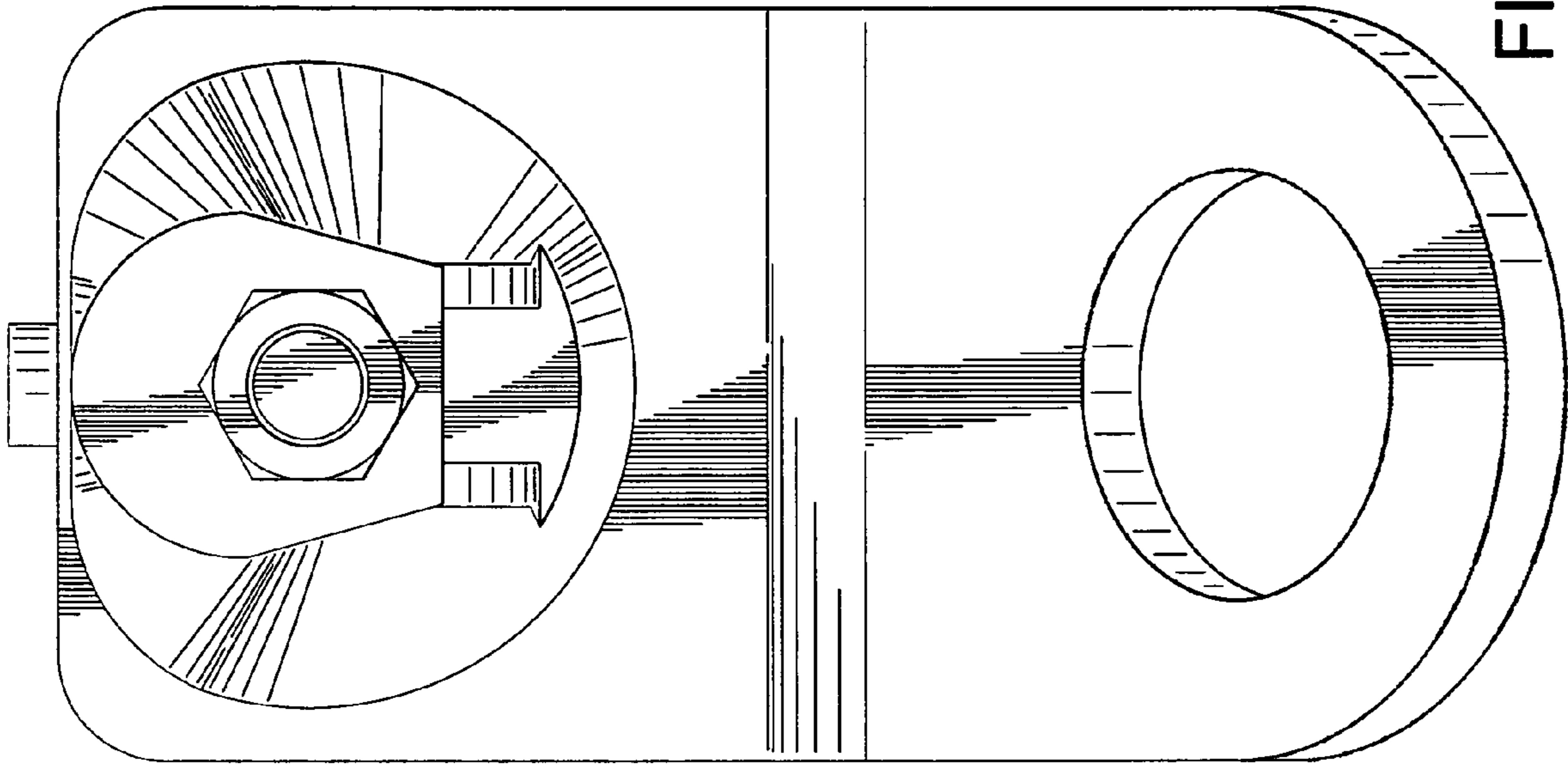


FIG. 6

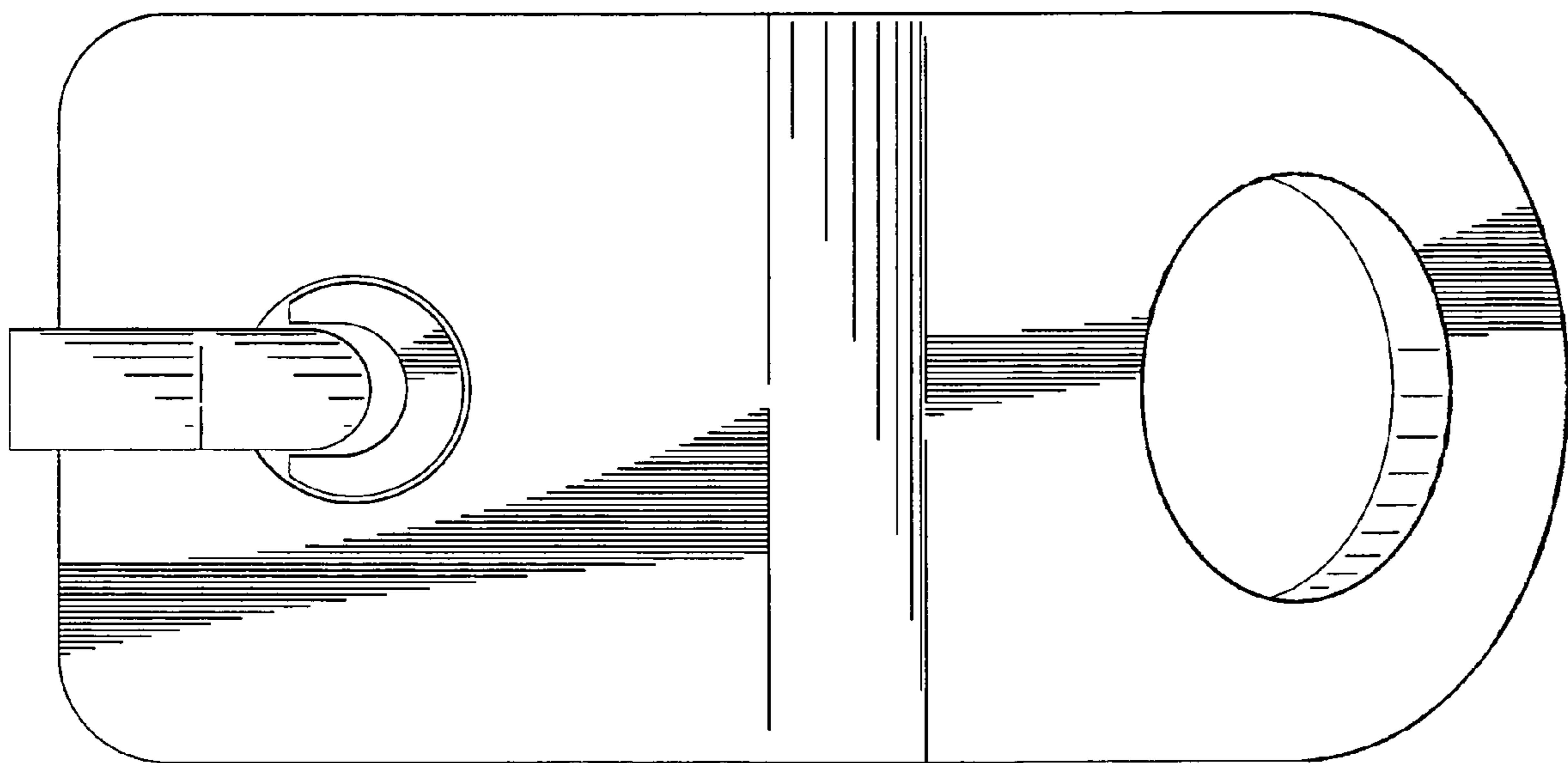


FIG. 4

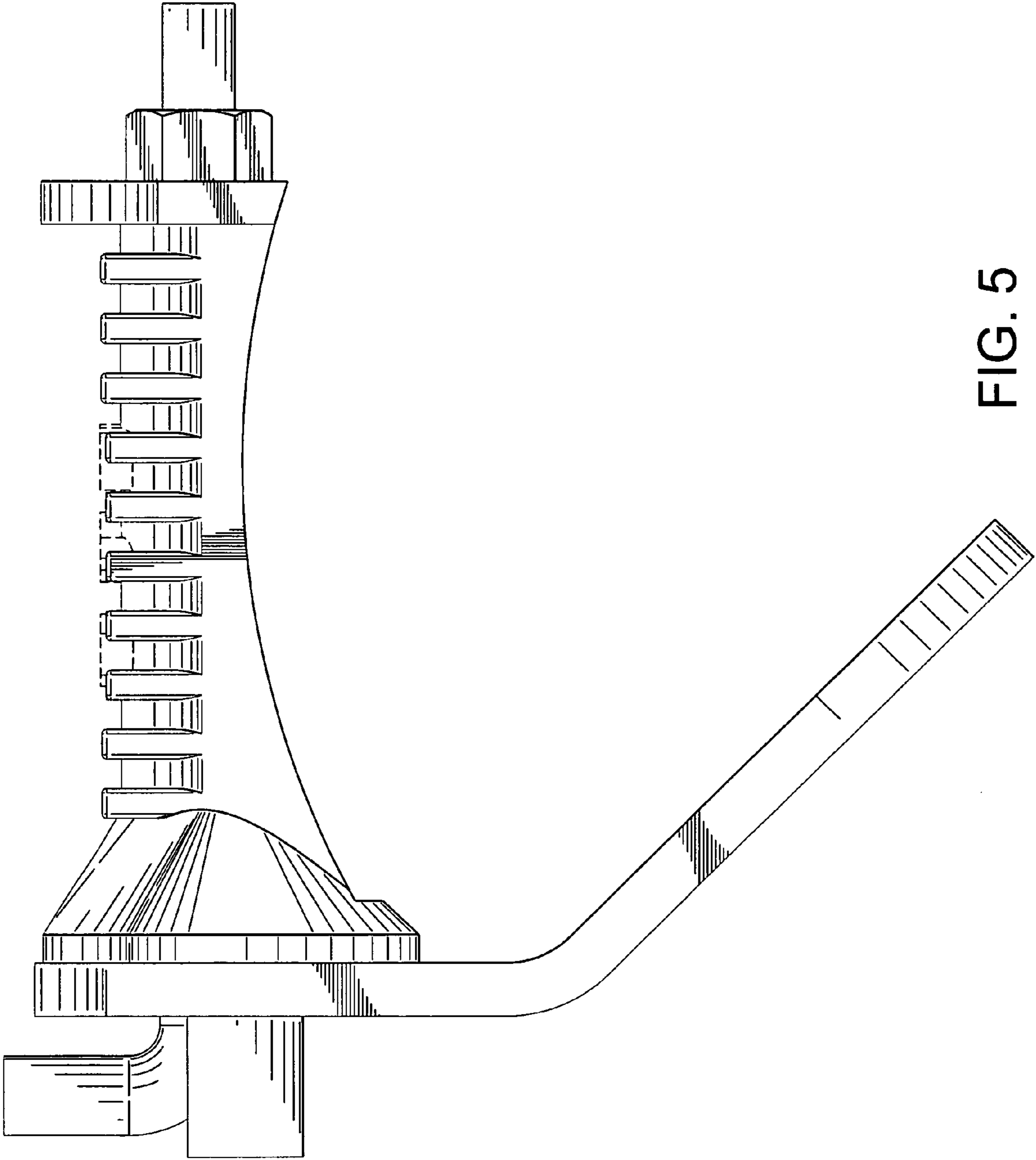


FIG. 5

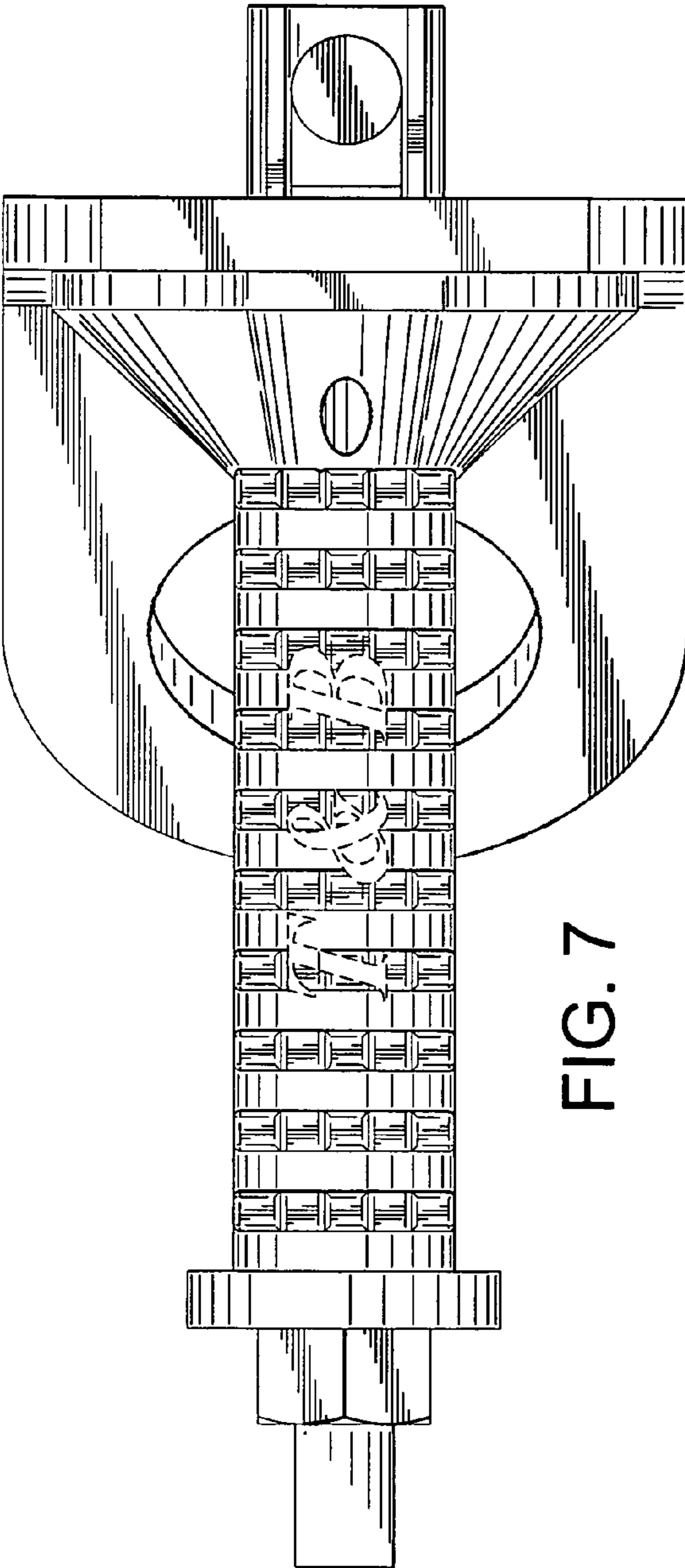


FIG. 7

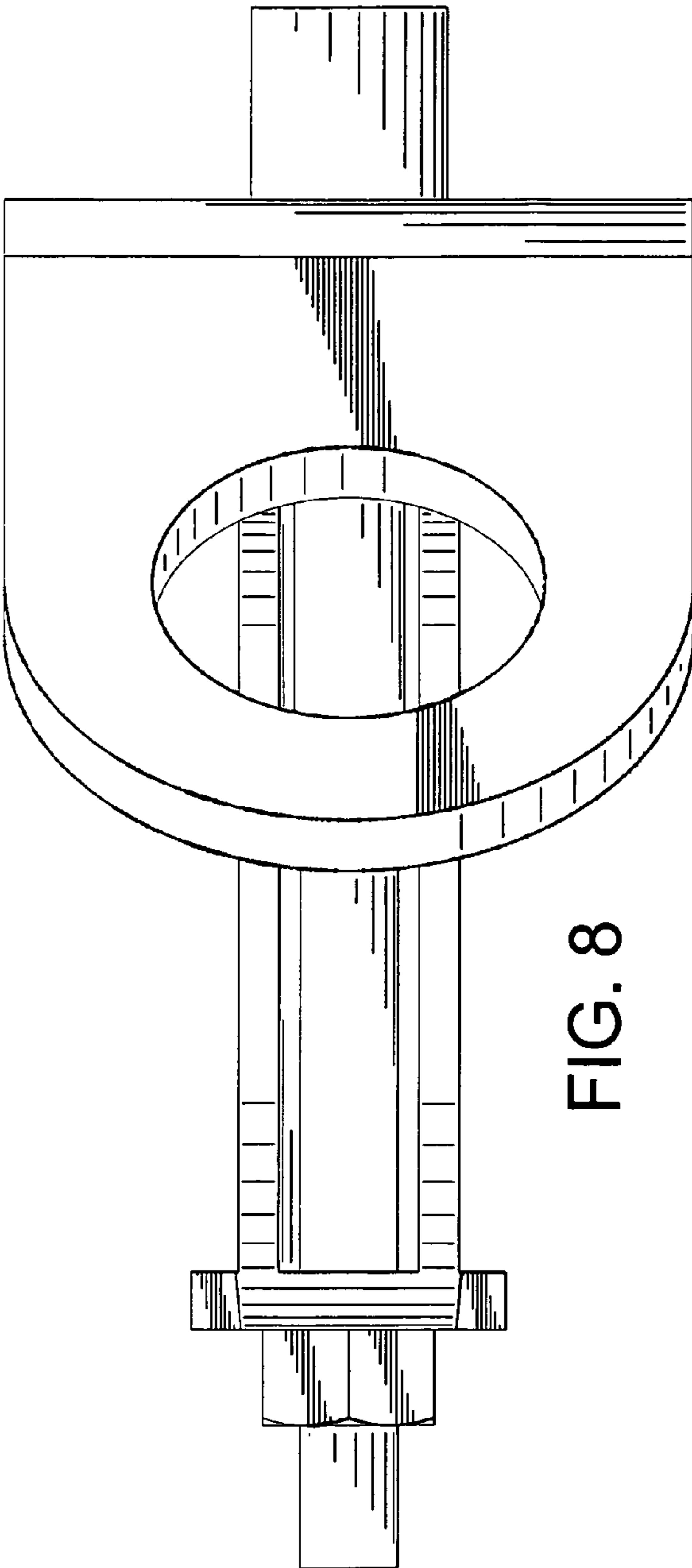


FIG. 8