



US00D655596S

(12) **United States Design Patent**
Le et al.

(10) **Patent No.:** **US D655,596 S**
(45) **Date of Patent:** **** Mar. 13, 2012**

(54) **FLUSH TRIGGER LATCH**

(75) Inventors: **Tam Thanh Le**, Santa Ana, CA (US);
Larry Mirick, Manhattan Beach, CA (US)

(73) Assignee: **S. P. E. P. Acquisition Corp.**, Rancho Dominguez, CA (US)

(**) Term: **14 Years**

(21) Appl. No.: **29/390,754**

(22) Filed: **Apr. 28, 2011**

(51) **LOC (9) Cl.** **08-07**

(52) **U.S. Cl.** **D8/331**

(58) **Field of Classification Search** D8/330,
D8/331, 341-343, 344, 349, 301, 302, 308,
D8/313; 70/141, 208, 448, 206, 210, 224,
70/431, 369, 371, 421; 292/336.3, DIG. 30,
292/DIG. 31

See application file for complete search history.

(56) **References Cited**

U.S. PATENT DOCUMENTS

2,840,407	A *	6/1958	Sellon, Jr.	292/169
2,971,048	A *	2/1961	Lawrence	348/815
5,046,340	A *	9/1991	Weinerman et al.	70/208
5,983,682	A *	11/1999	Parikh	70/208
6,145,352	A *	11/2000	Vickers et al.	70/208
D465,400	S *	11/2002	Moore et al.	D8/331
D483,430	S *	12/2003	Teskey	D22/108
7,013,689	B2 *	3/2006	Graham et al.	70/208
D567,064	S *	4/2008	Samhammer et al.	D8/331
D570,192	S *	6/2008	Beckner	D8/331
D570,669	S *	6/2008	Le et al.	
D577,277	S *	9/2008	Samhammer et al.	D8/331

D585,725 S * 2/2009 Le et al. D8/331

* cited by examiner

Primary Examiner — Prabhakar Deshmukh

(74) *Attorney, Agent, or Firm* — Christie, Parker & Hale, LLP

(57) **CLAIM**

The ornamental design for flush trigger latch, as shown and described.

DESCRIPTION

FIG. 1 is front top right perspective view of the flush trigger latch of the invention in its closed position.

FIG. 2 is rear top right perspective view of the flush trigger latch of FIG. 1.

FIG. 3 is a top view of the flush trigger latch of FIG. 1.

FIG. 4 is a right side view of the flush trigger latch of FIG. 1.

FIG. 5 is a front view of the flush trigger latch of FIG. 1.

FIG. 6 is a rear view of the flush trigger latch of FIG. 1.

FIG. 7 is front top right perspective view of the flush trigger latch of the invention but in its opened position.

FIG. 8 is rear top right perspective view of the flush trigger latch of FIG. 7.

FIG. 9 is a top view of the flush trigger latch of FIG. 7.

FIG. 10 is a right side view of the flush trigger latch of FIG. 7.

FIG. 11 is a front view of the flush trigger latch of FIG. 7; and, FIG. 12 is a rear view of the flush trigger latch of FIG. 7.

The left side views of the flush trigger latch of FIGS. 1 and 7 are mirror images of the right side views FIGS. 4 and 10, respectively. The broken lines shown in the drawings disclosure are for illustrative purposes only and form no part of the claimed design.

1 Claim, 10 Drawing Sheets

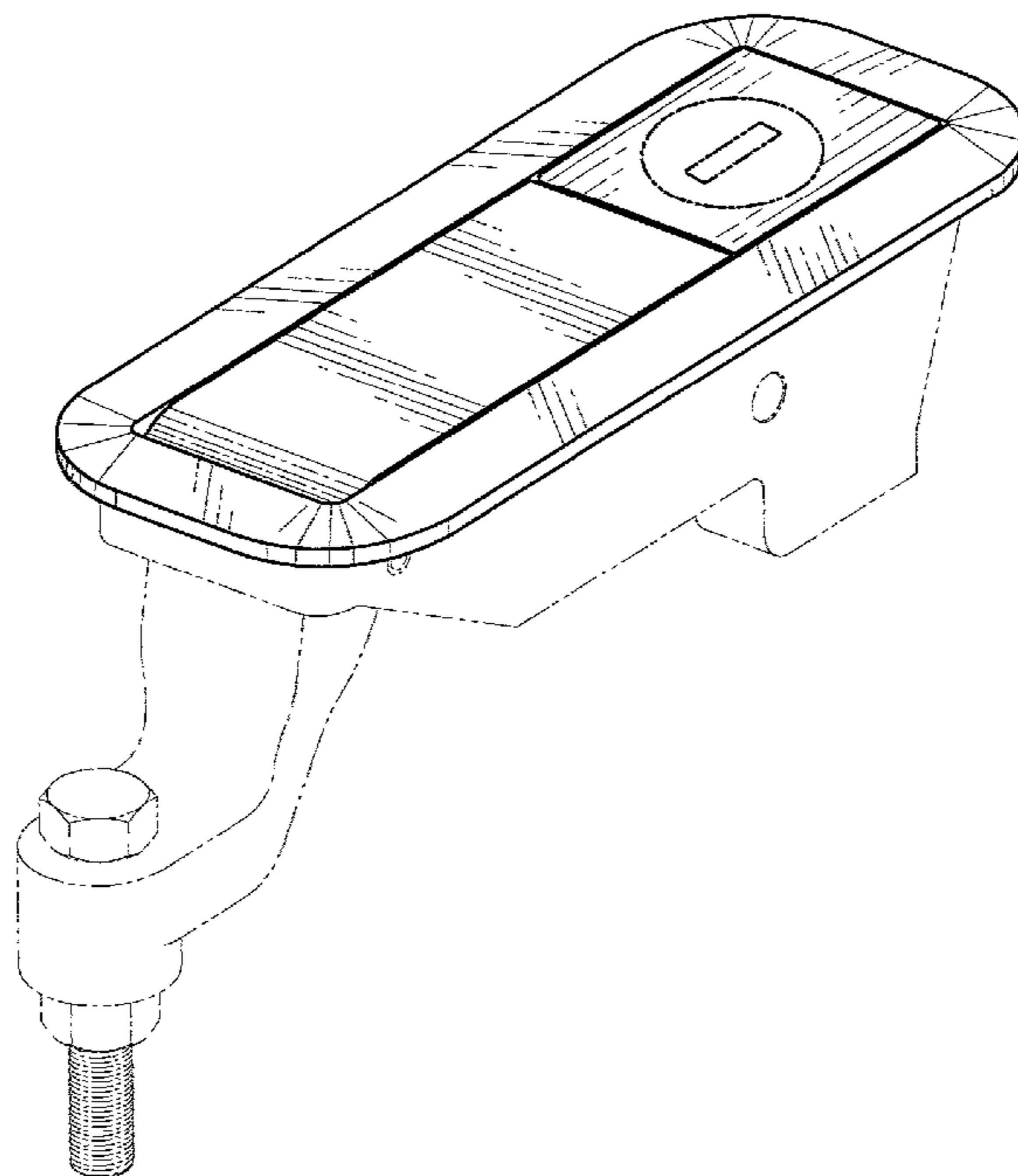


FIG. 1

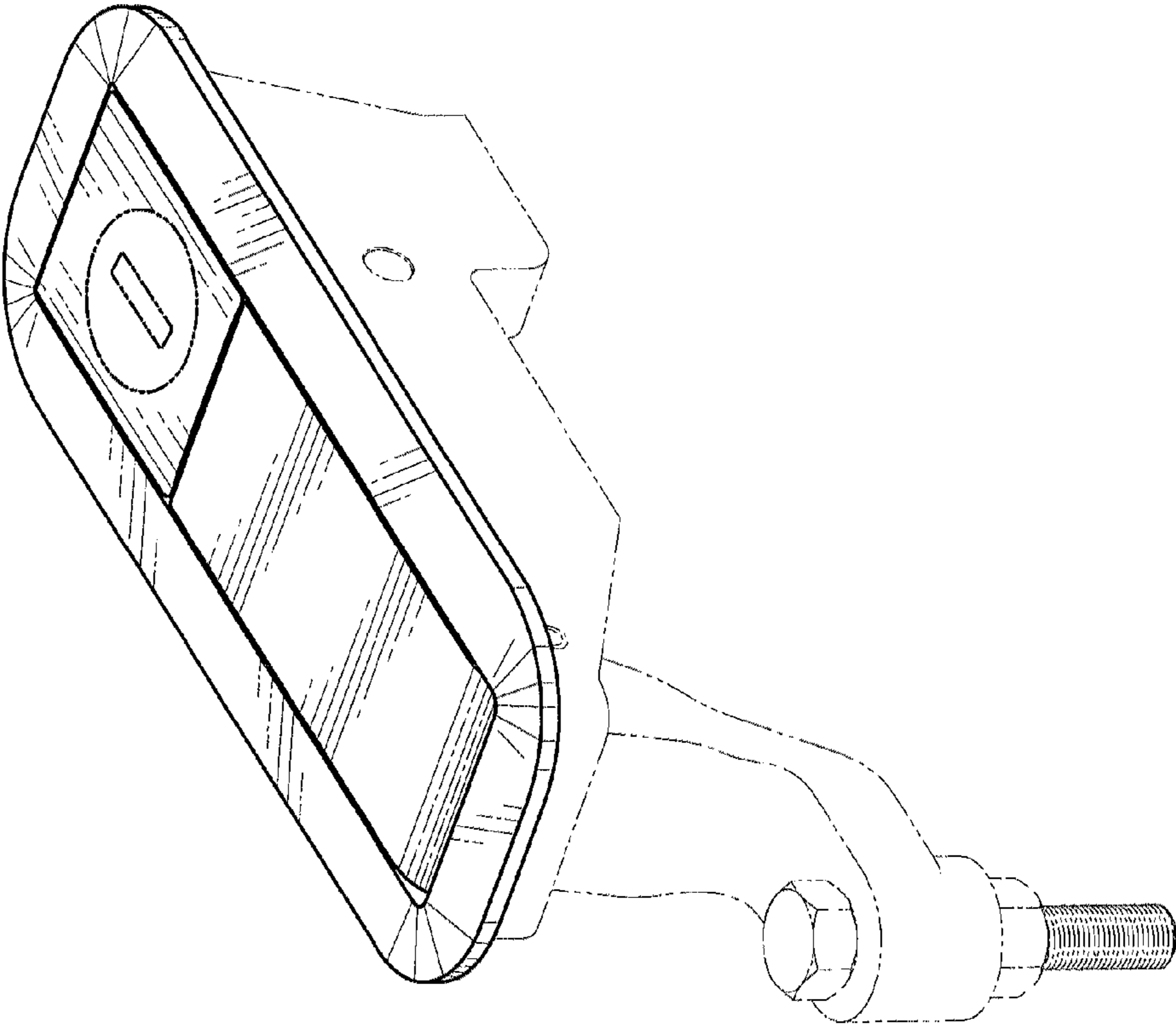


FIG. 2

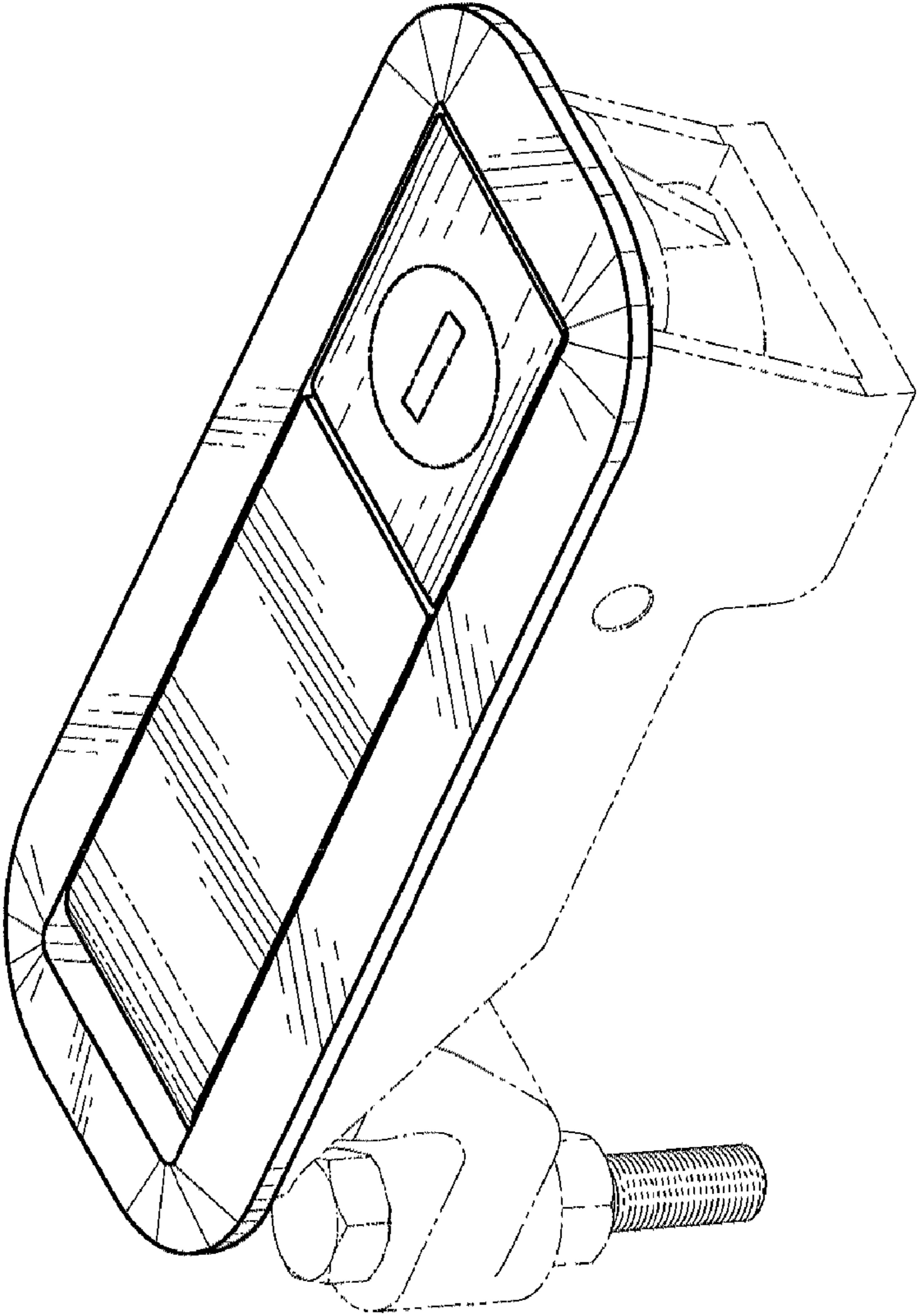


FIG. 3

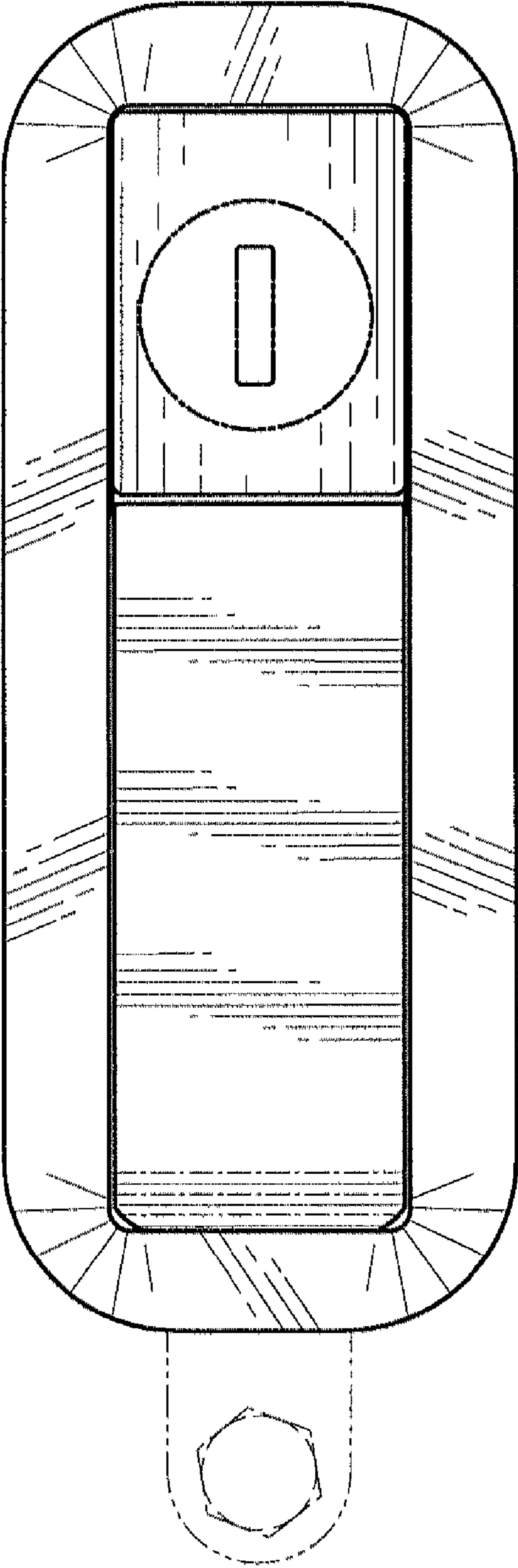


FIG. 4

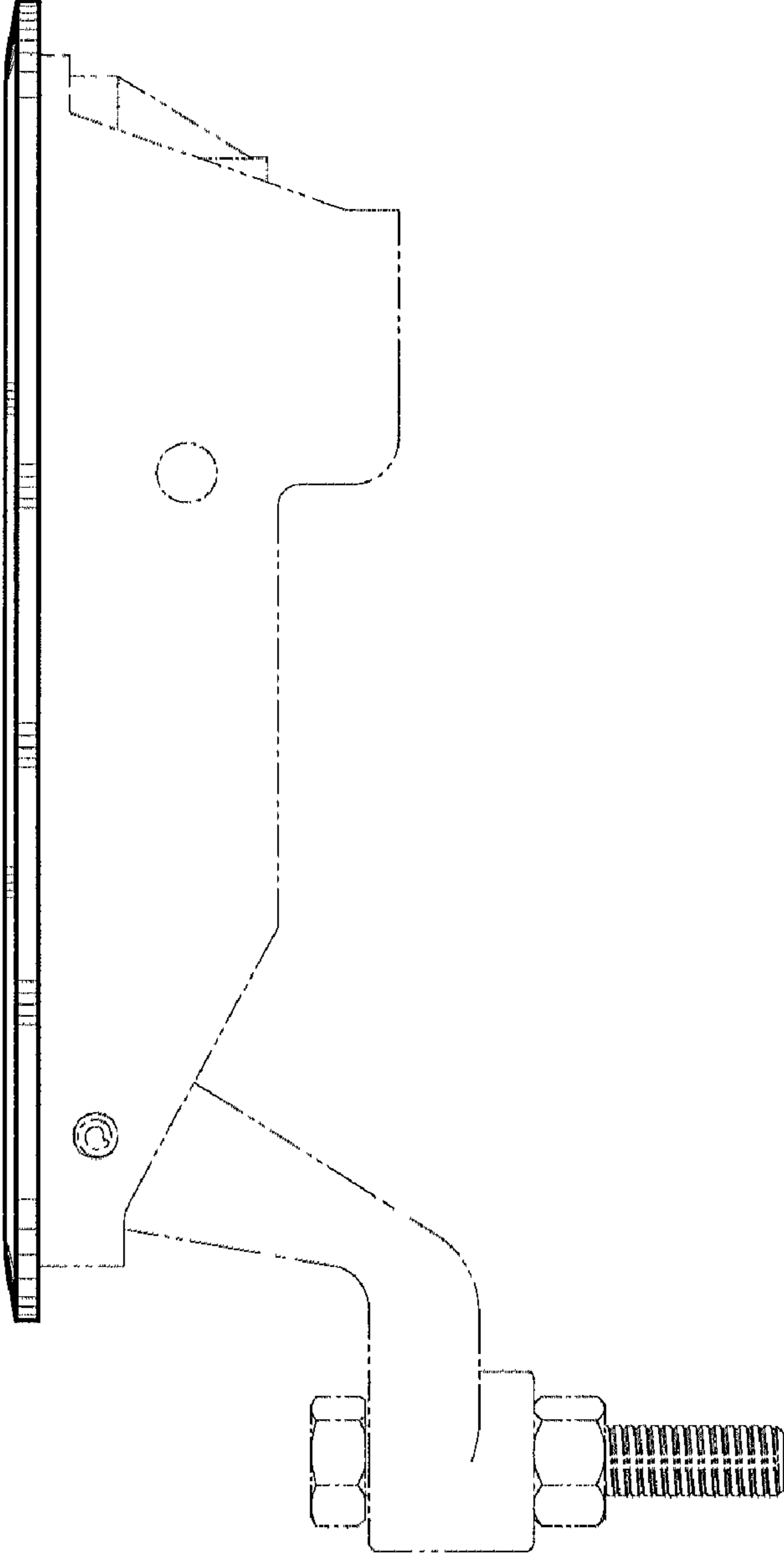


FIG. 6

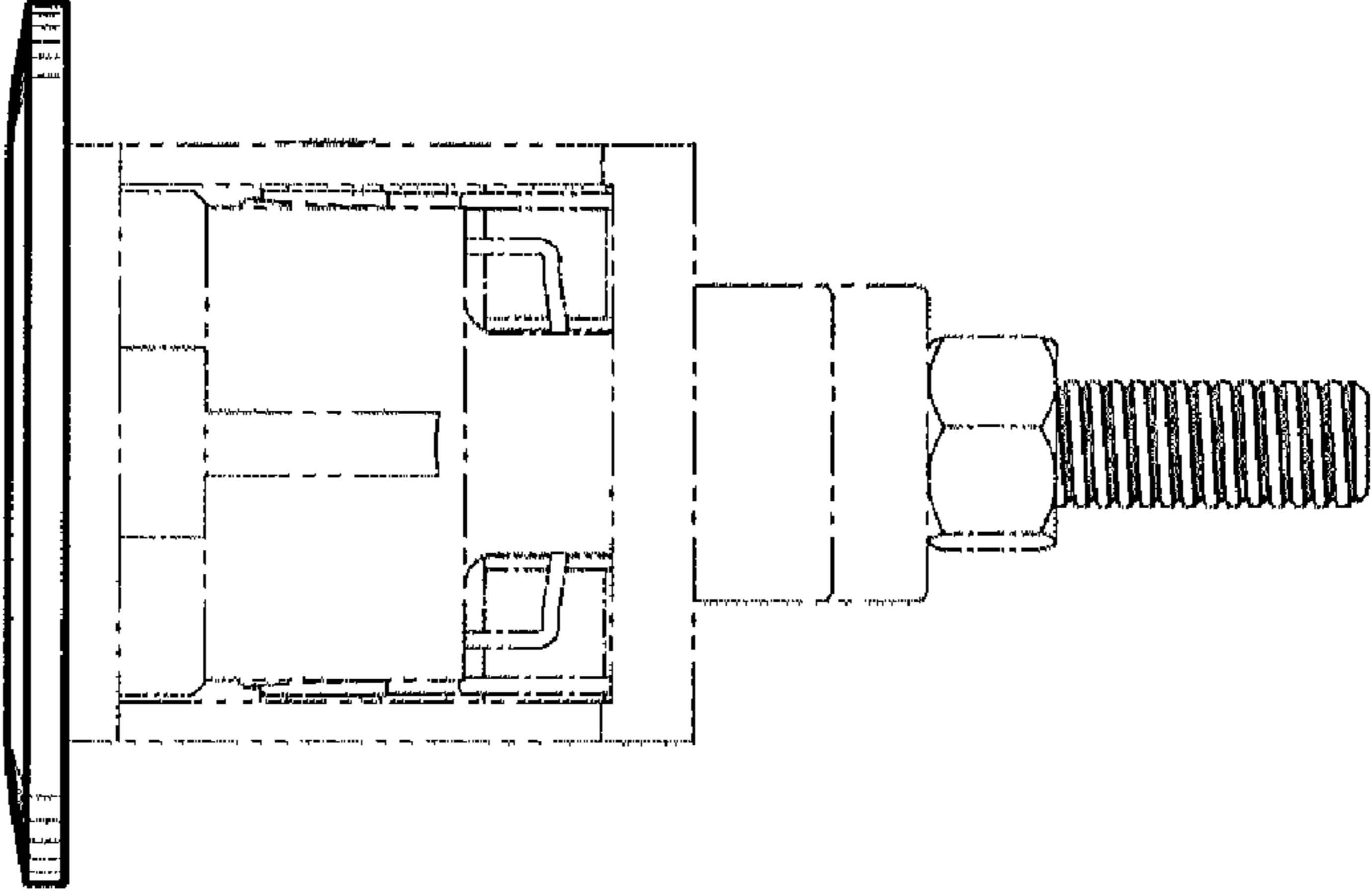


FIG. 5

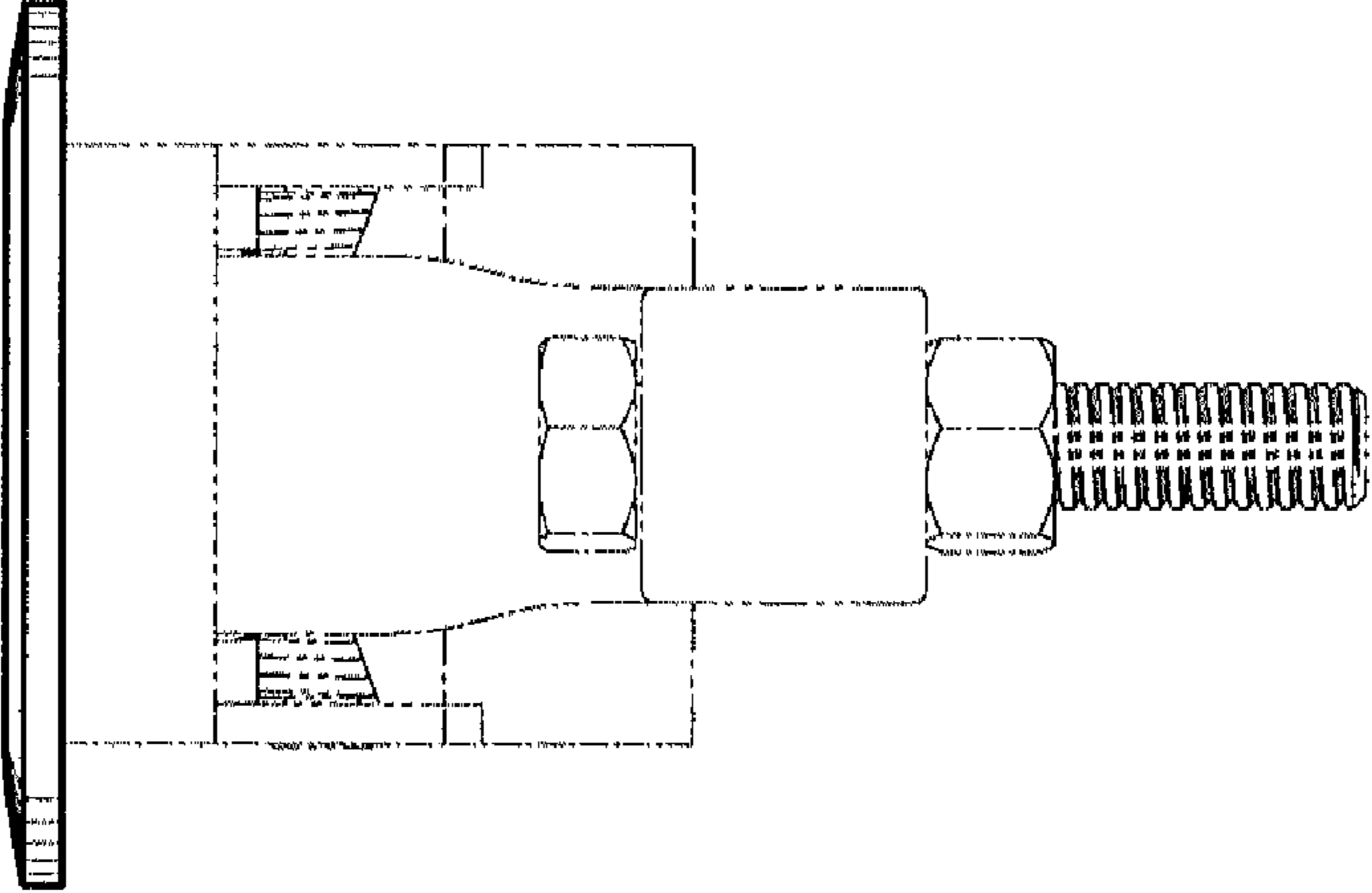


FIG. 7

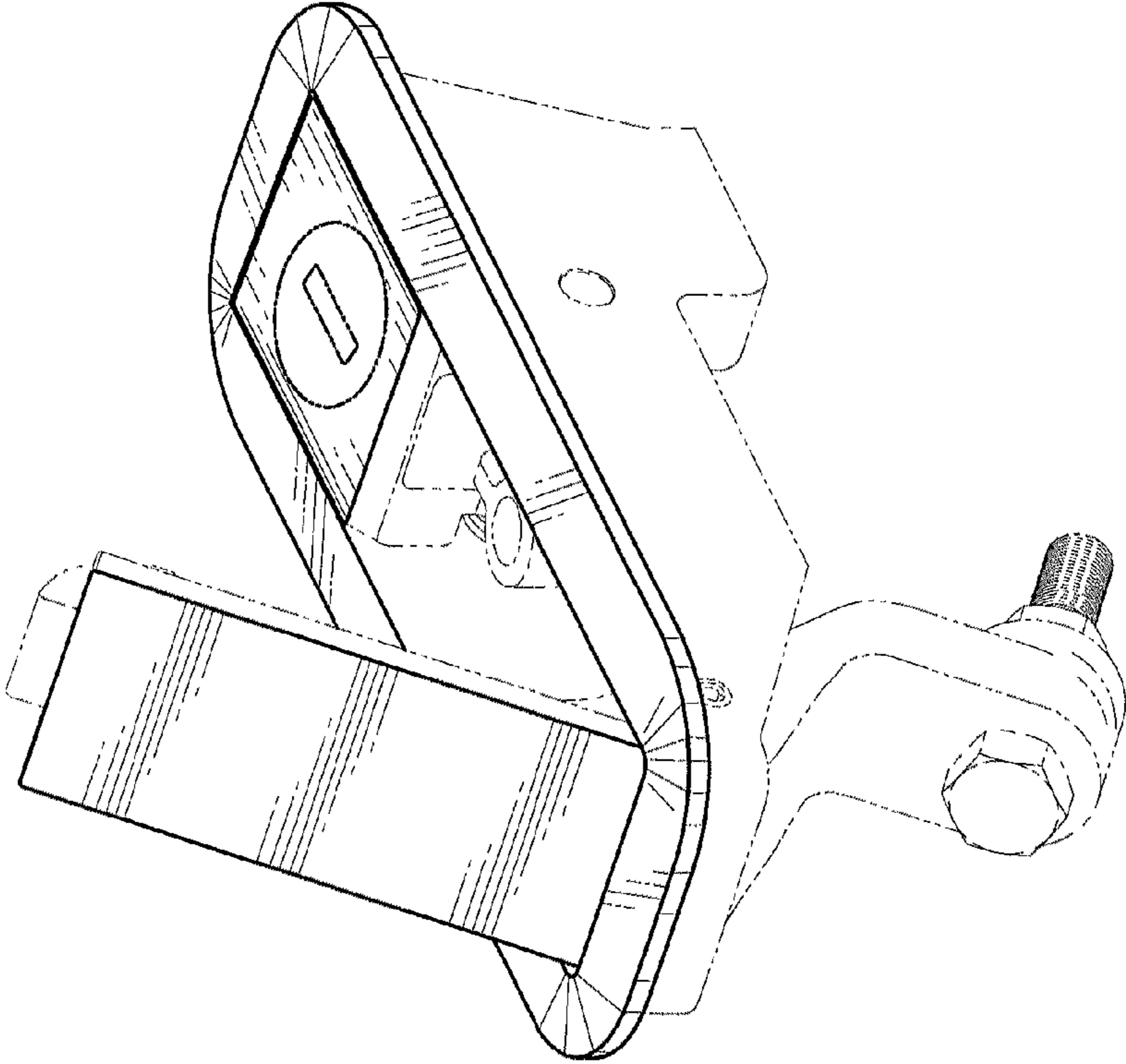


FIG. 8

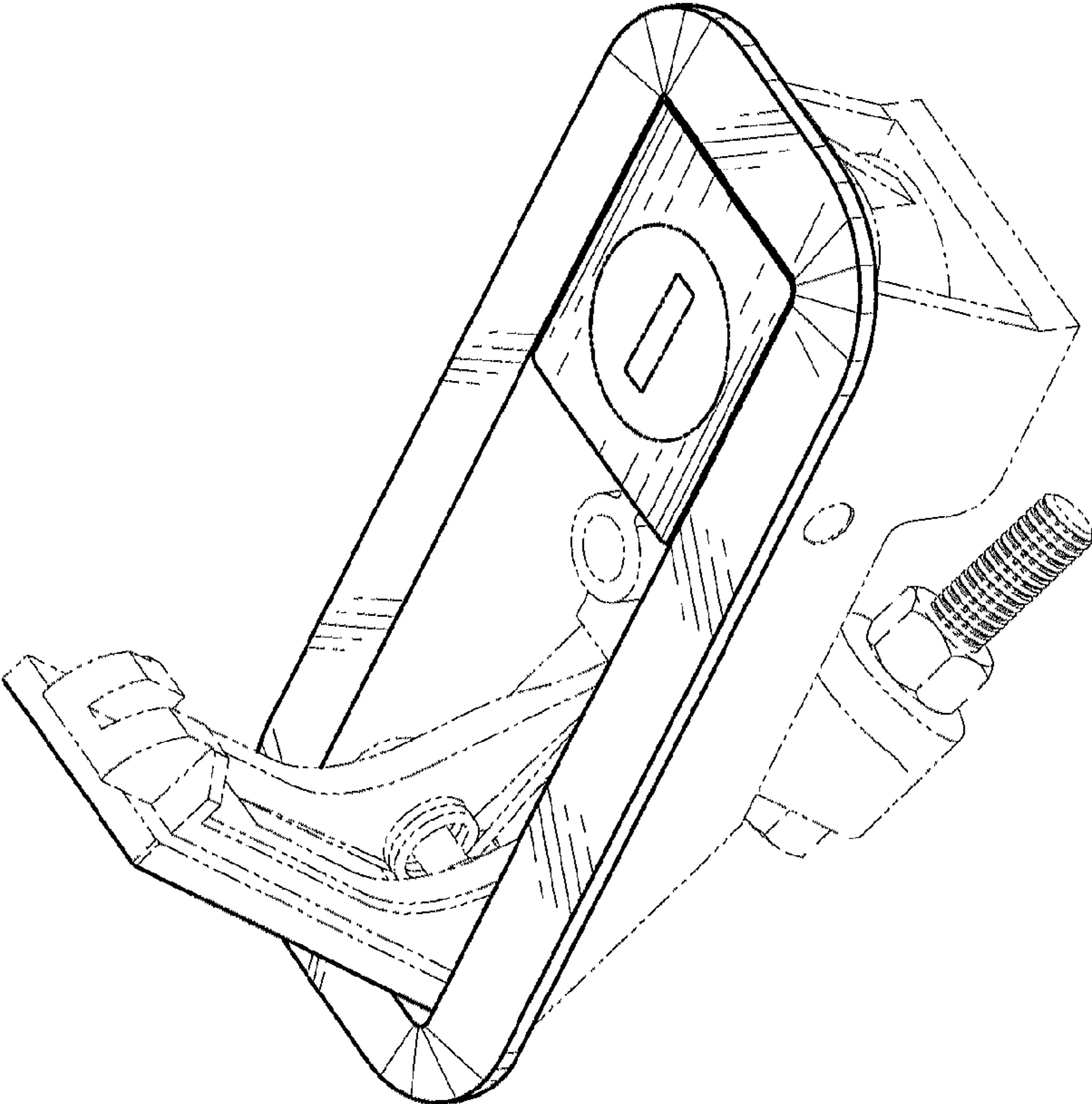


FIG. 9

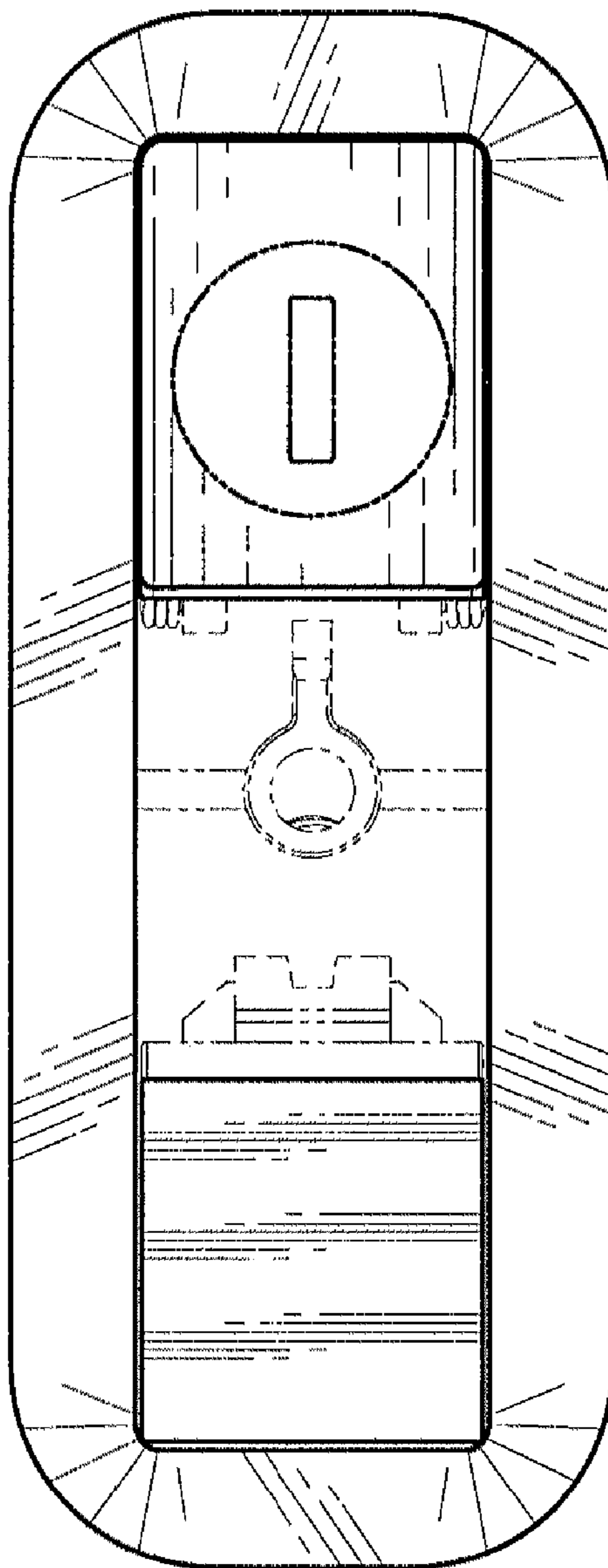


FIG. 10

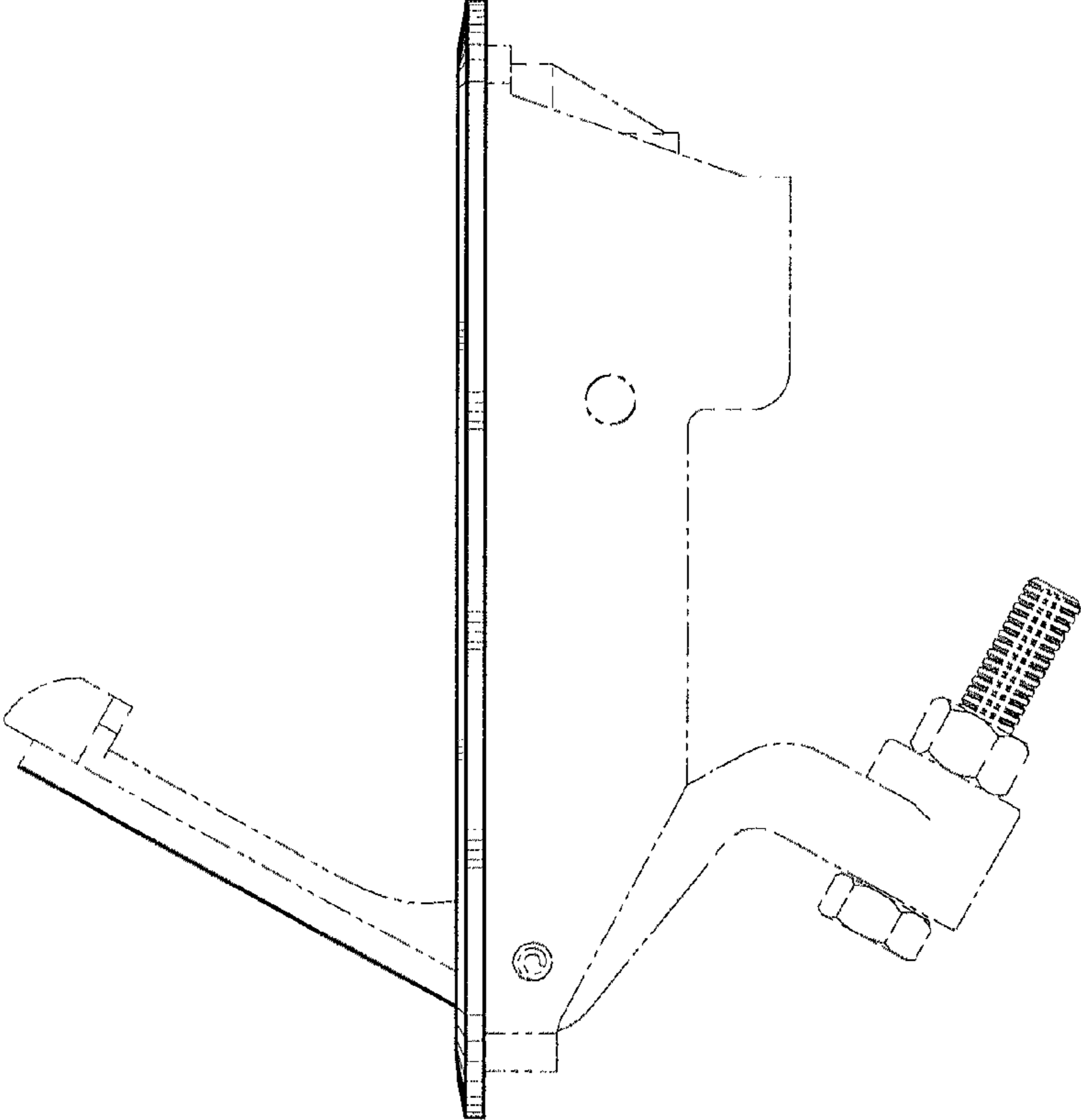


FIG. 12

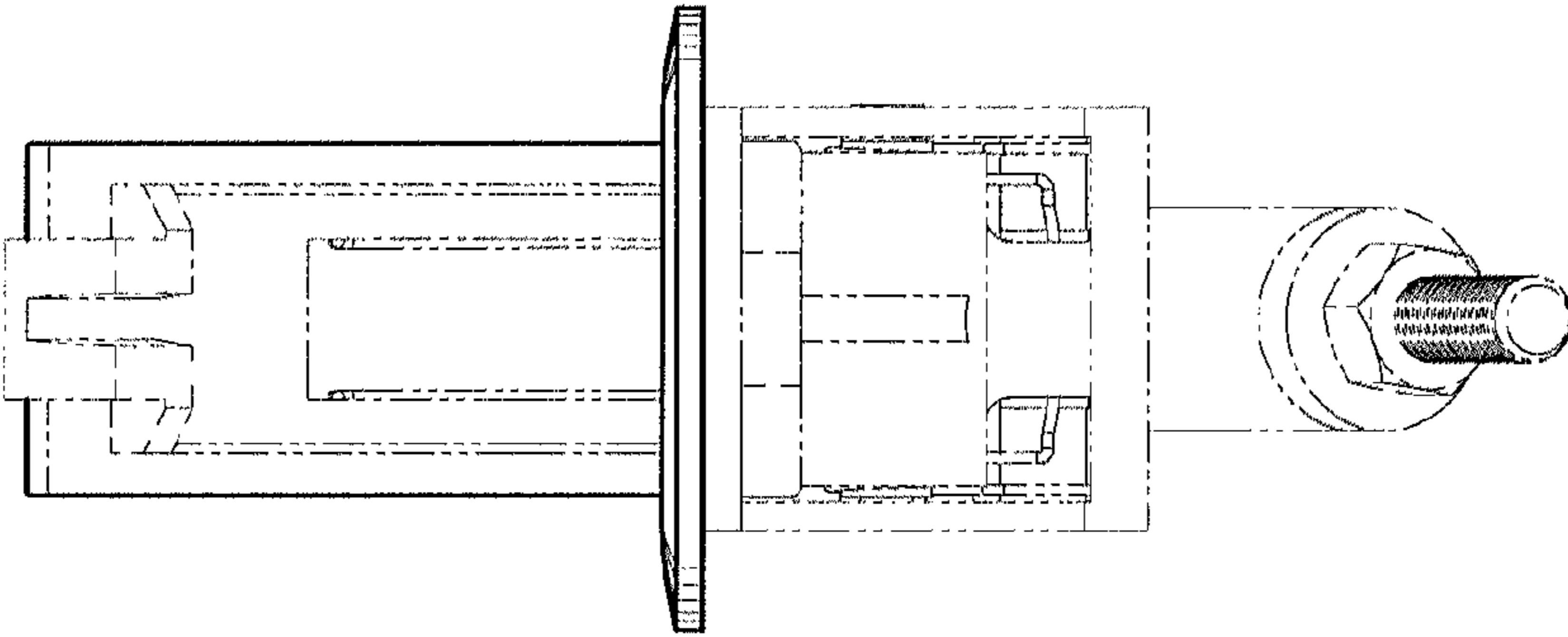


FIG. 11

