



US00D655593S

(12) **United States Design Patent**
Wagner, III et al.

(10) **Patent No.:** **US D655,593 S**
(45) **Date of Patent:** **** Mar. 13, 2012**

(54) **MANUALLY OPERATED TOOL STAND**
(76) Inventors: **Fred A. Wagner, III**, Ophir, CO (US);
Heyward Moore, Charlotte, NC (US)
(**) Term: **14 Years**
(21) Appl. No.: **29/368,699**
(22) Filed: **Aug. 27, 2010**
(51) **LOC (9) Cl.** **08-05**
(52) **U.S. Cl.** **D8/71**
(58) **Field of Classification Search** D8/71;
248/911-913, 354.1, 354.3, 654.5, 354.6,
248/357, 405, 407, 188.5, 205.1, 207; 52/127.2;
182/129
See application file for complete search history.

Primary Examiner — Antoine D Davis
(74) *Attorney, Agent, or Firm* — Scott T. Griggs; Griggs
Bergen LLP

(57) **CLAIM**
The ornamental design for a manually operated tool stand, as
shown and described.

DESCRIPTION

FIG. 1 is a first perspective view of a manually operated tool
stand showing our new design;
FIG. 2 is a second perspective view of the manually operated
tool stand;
FIG. 3 is a third perspective view of the manually operated
tool stand;
FIG. 4 is a right side elevation view of the manually operated
tool stand depicted in FIG. 1;
FIG. 5 is a left side elevation view;
FIG. 6 a front elevation view;
FIG. 7 is a rear elevation view;
FIG. 8 is a top plan view; and,
FIG. 9 is a bottom plan view.

(56) **References Cited**

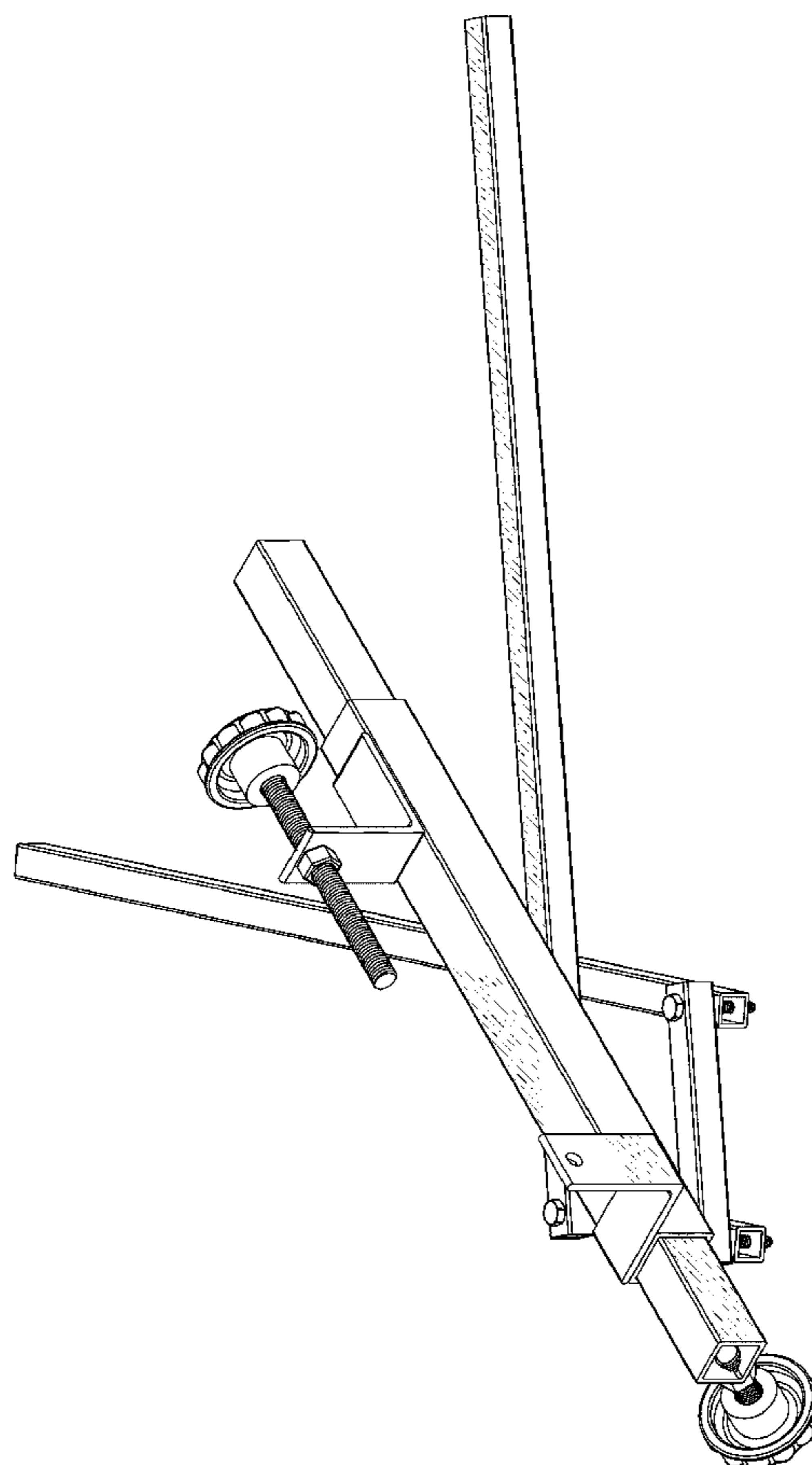
U.S. PATENT DOCUMENTS
D55,387 S 6/1920 Leckinger
D158,021 S 4/1950 Stanland
D454,479 S 3/2002 Kolpin
D511,667 S 11/2005 Jones
D640,113 S * 6/2011 Krohmer et al. D8/71

OTHER PUBLICATIONS

Ken Elkins, Lots of ideas lead Charlotte inventor to launch patent
company, Charlotte Business Journal, May 5, 2010.

* cited by examiner

1 Claim, 9 Drawing Sheets



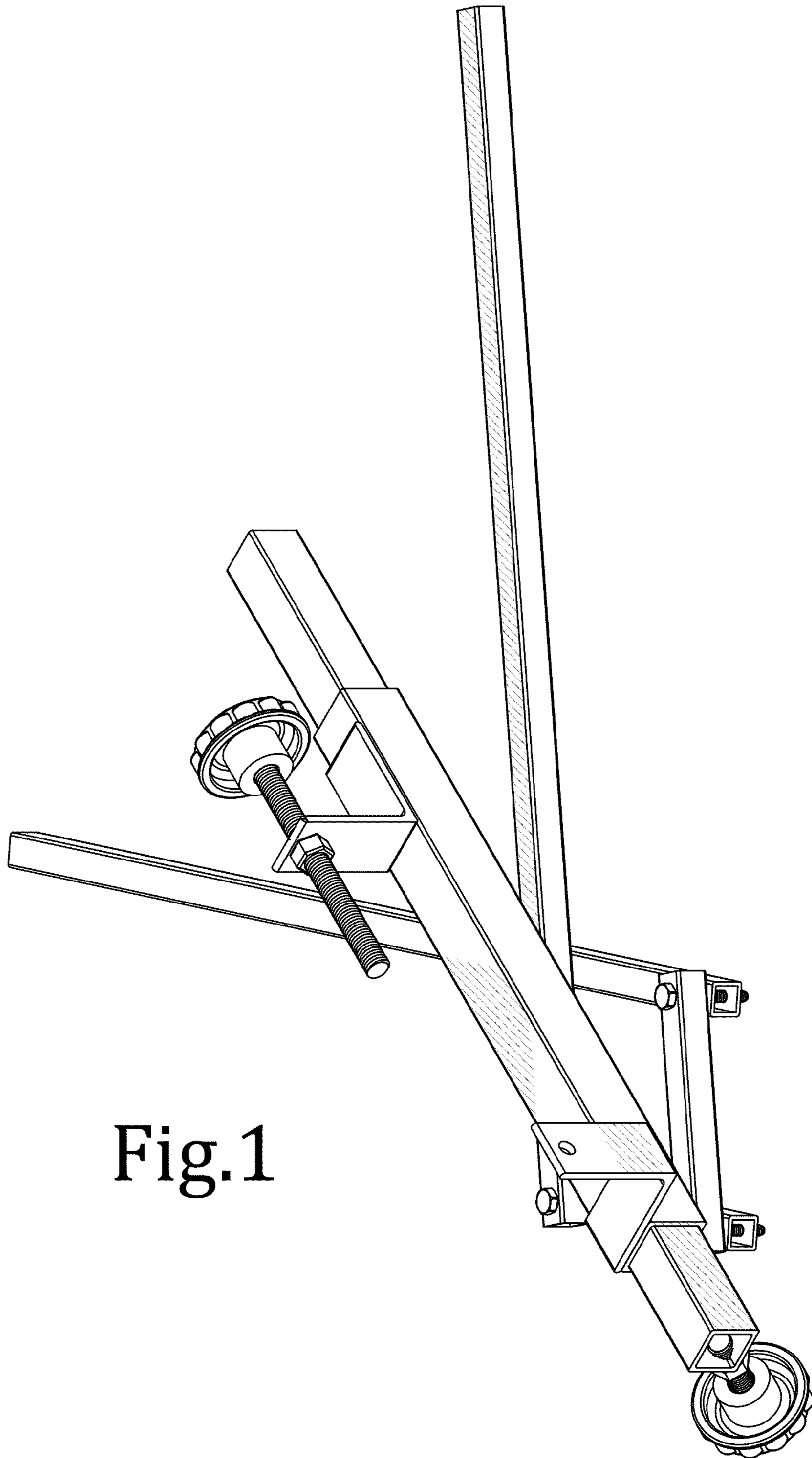


Fig.1

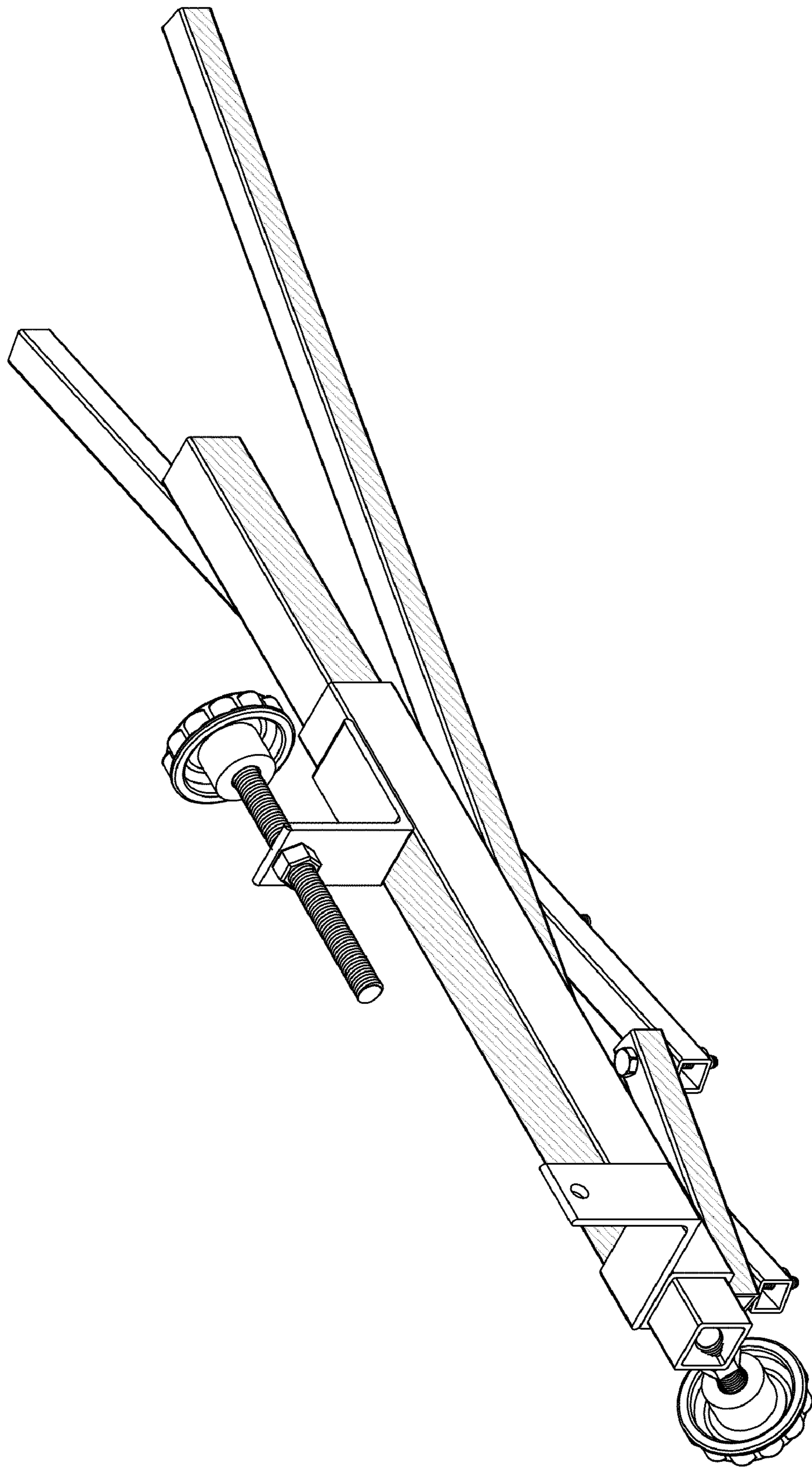


Fig. 2

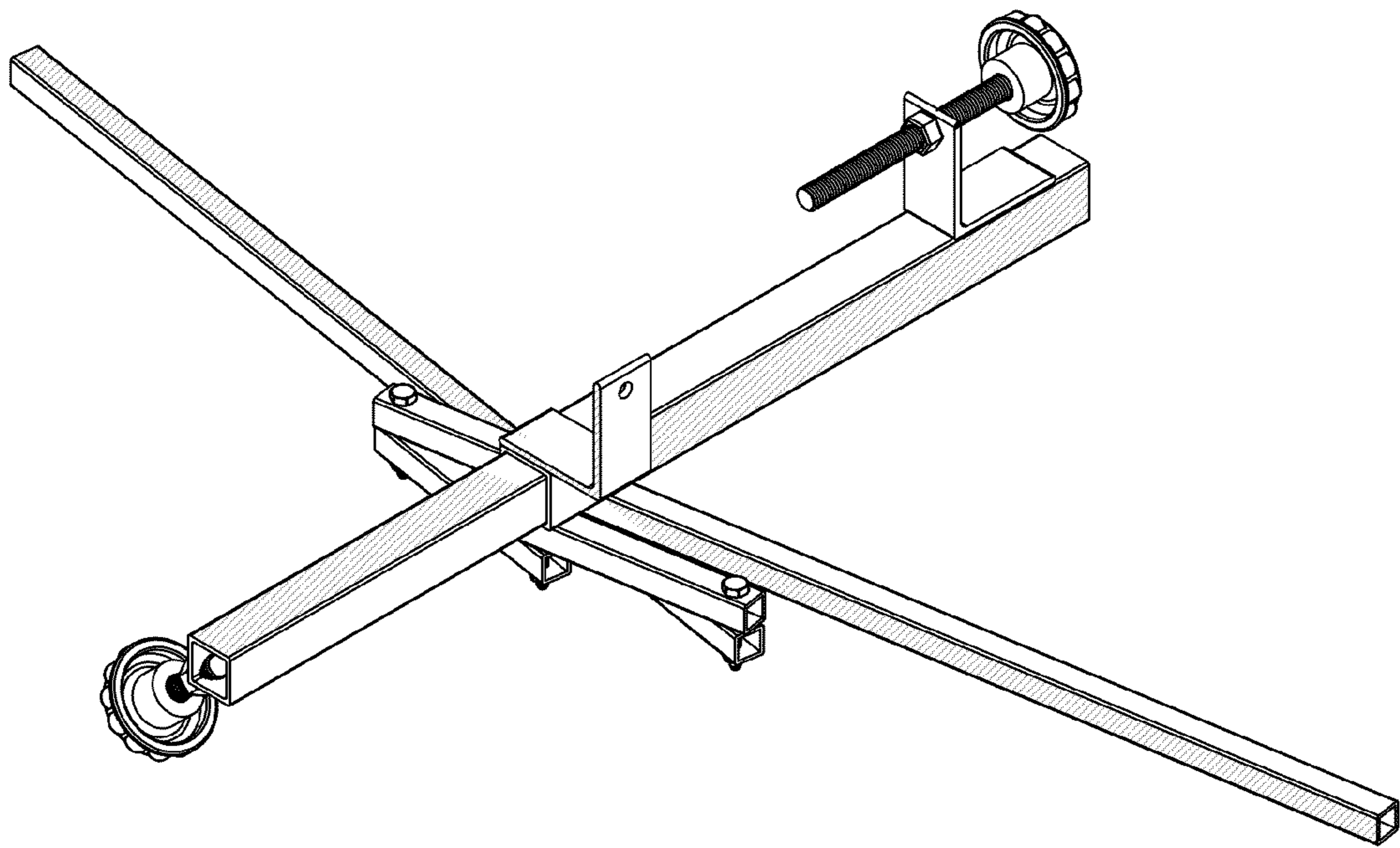


Fig. 3

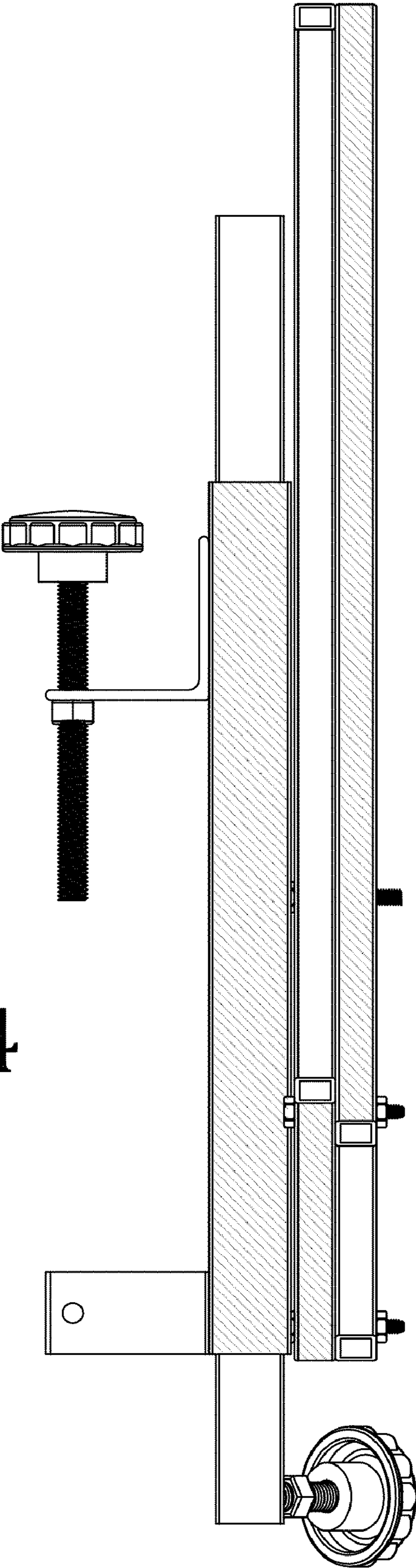


Fig. 4

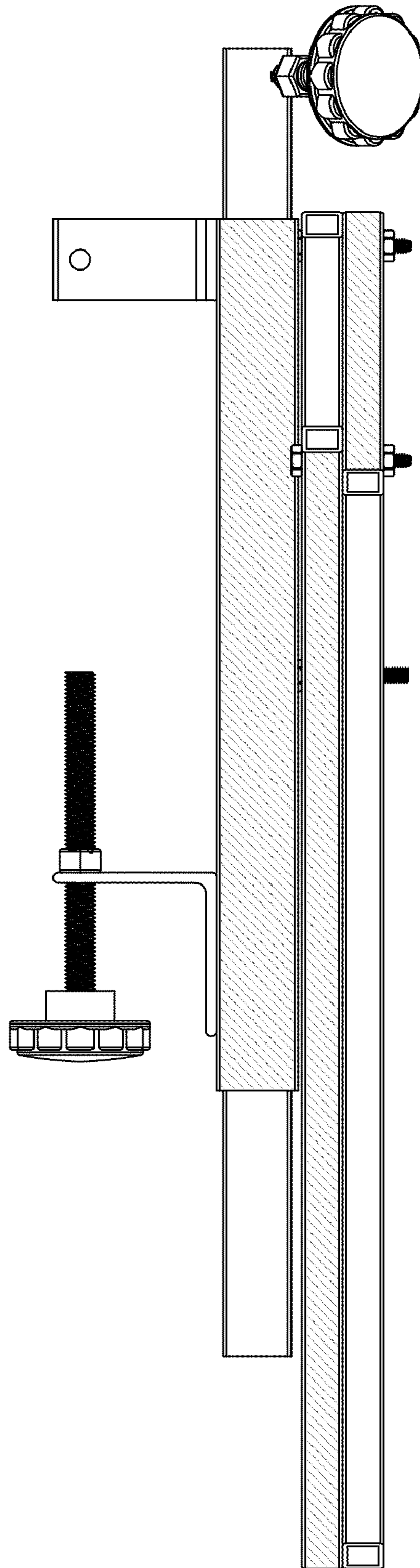


Fig. 5

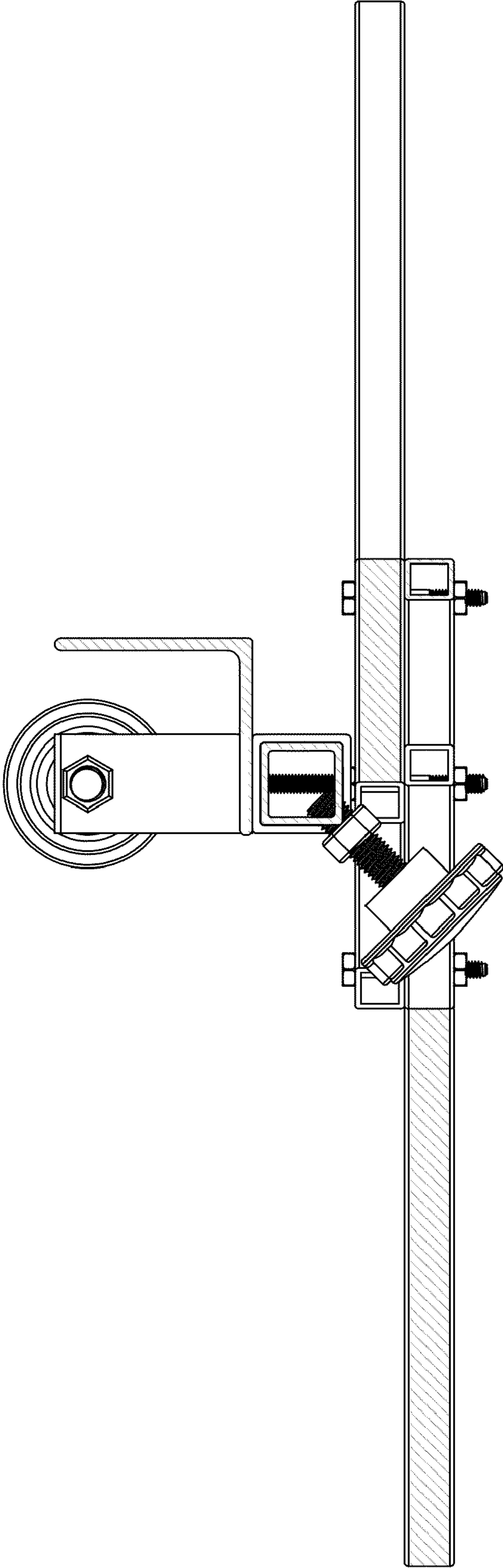


Fig. 6

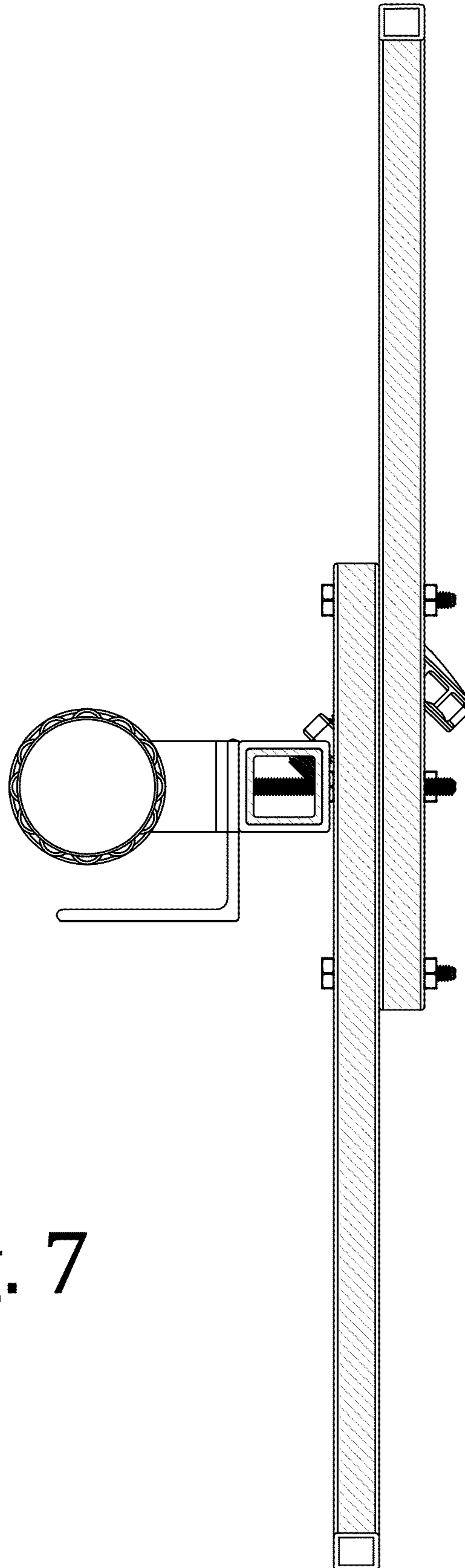


Fig. 7

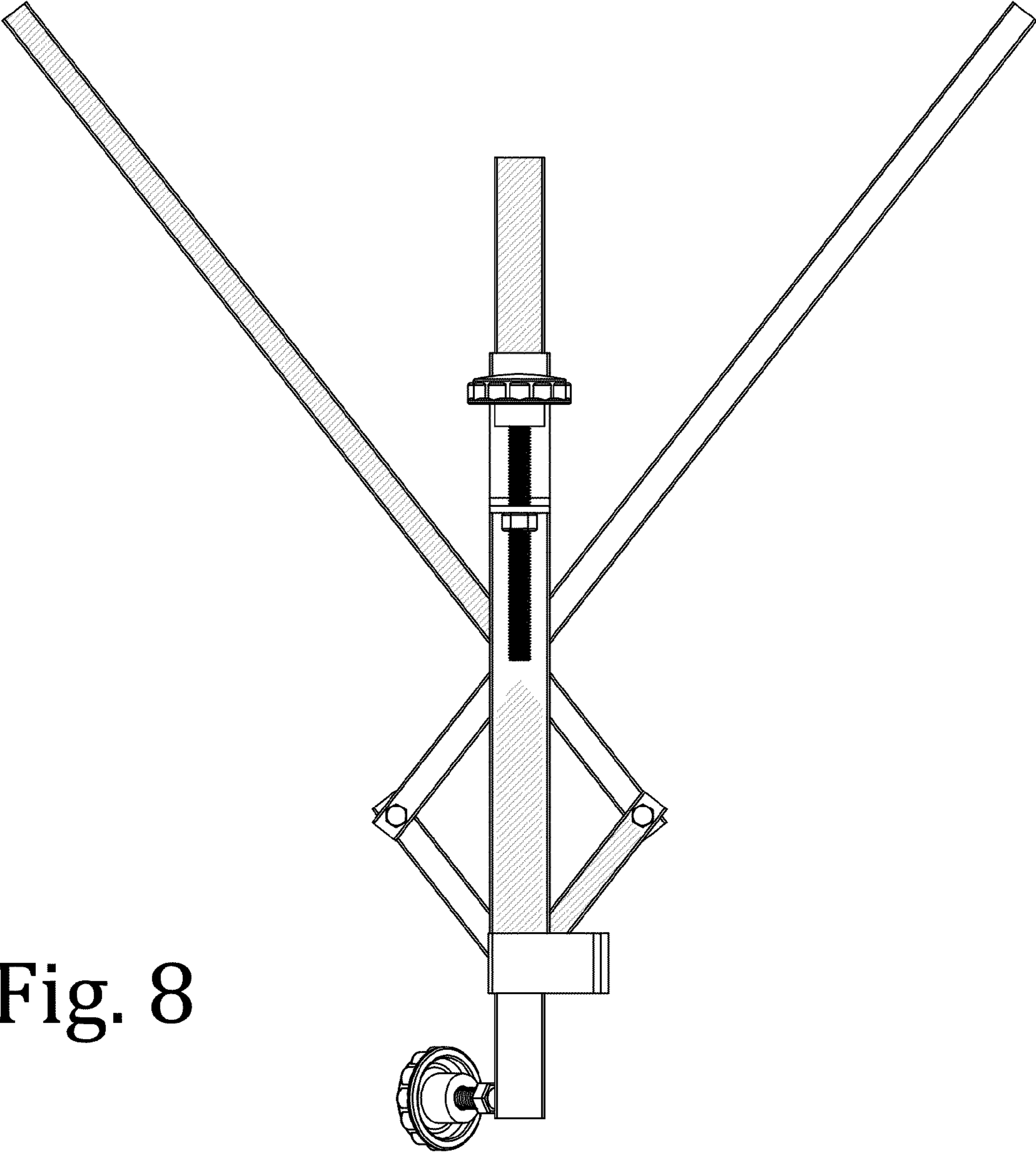


Fig. 8

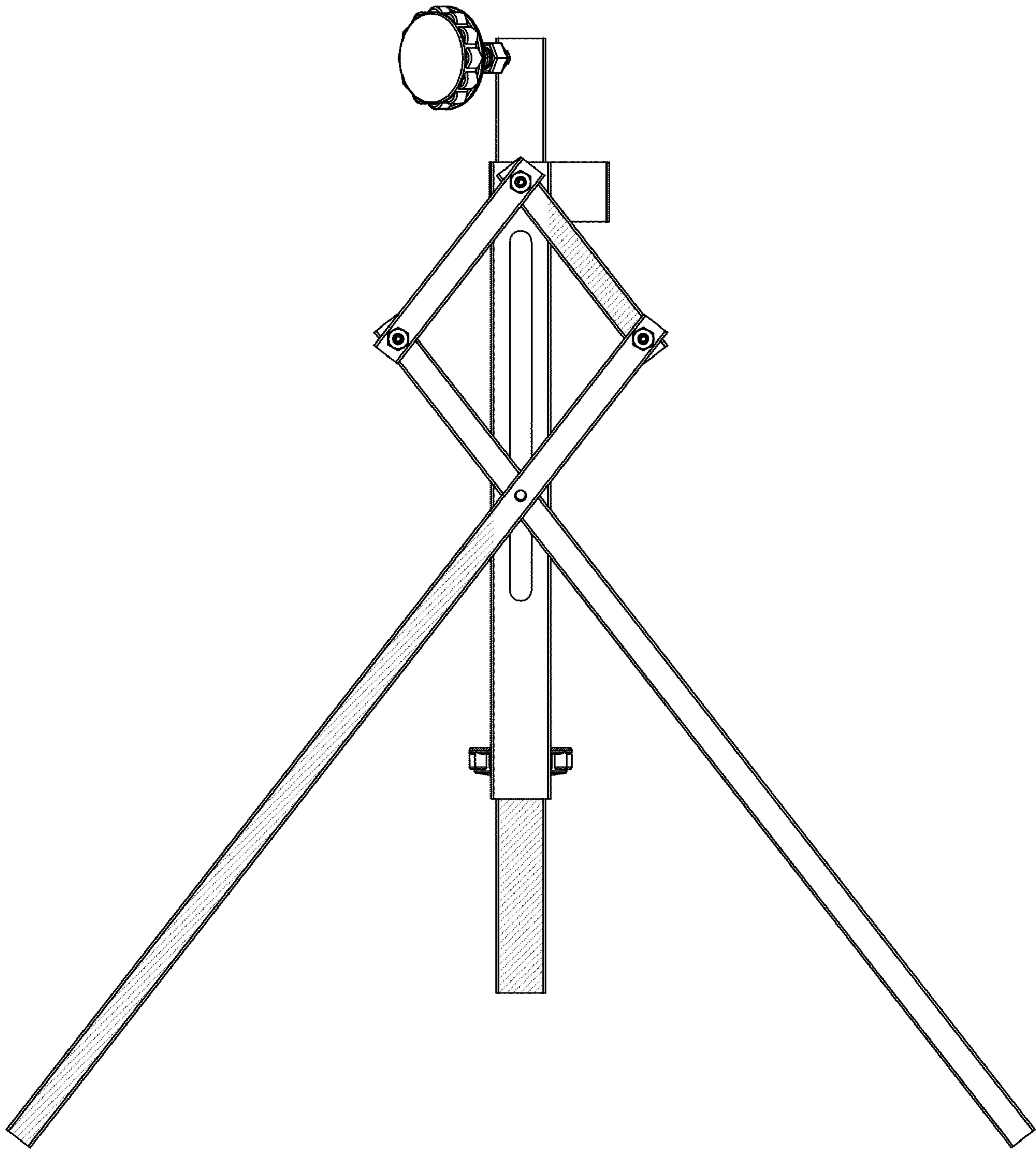


Fig. 9