

US00D655591S

(12) **United States Design Patent**
Willard et al.

(10) **Patent No.:** **US D655,591 S**
(45) **Date of Patent:** **** Mar. 13, 2012**

(54) **COAXIAL CABLE CONNECTOR
INSTALLATION TOOL**

(75) Inventors: **Matt Willard**, Olive Branch, MS (US);
Paul Bartholomew, Somerville, TN
(US); **Mathieu Turpault**, Berwyn, PA
(US)

(73) Assignee: **Belden Inc.**, St. Louis, MI (US)

(**) Term: **14 Years**

(21) Appl. No.: **29/372,012**

(22) Filed: **Oct. 1, 2010**

(51) **LOC (9) Cl.** **08-05**

(52) **U.S. Cl.** **D8/56**

(58) **Field of Classification Search** D8/99,
D8/98, 93, 63, 61, 58, 57, 56, 55, 53, 5, 107,
D8/104, 105, 52, 51, 29.1; D24/148, 149;
D21/532; 7/106, 107; 81/427.5, 9.44, 9.43;
30/90.1, 90.6

See application file for complete search history.

(56) **References Cited**

U.S. PATENT DOCUMENTS

3,781,932	A	1/1974	Baker et al.	
4,379,665	A	4/1983	Hendershot et al.	
4,932,091	A	6/1990	Krzyzanski	
4,980,962	A	1/1991	Wiebe	
5,109,591	A *	5/1992	Hung	29/566.4
5,724,871	A *	3/1998	Wall	81/9.43
5,743,131	A *	4/1998	Holliday et al.	72/409.1
5,934,137	A	8/1999	Tarpill	
5,992,002	A *	11/1999	Hung	29/566.4
6,230,387	B1 *	5/2001	Gritters et al.	29/566.4
6,427,275	B1	8/2002	Hung	
6,671,944	B2 *	1/2004	Holliday et al.	29/564.4
6,820,326	B1	11/2004	Tarpill et al.	

6,948,234	B1 *	9/2005	Steiner	29/751
7,120,997	B2	10/2006	Islam et al.	
7,188,507	B2	3/2007	Holliday et al.	
7,210,327	B1	5/2007	Tarpill et al.	
7,216,431	B2 *	5/2007	Holliday et al.	30/90.7
D594,722	S *	6/2009	Hedrick et al.	D8/56
7,596,860	B2	10/2009	Sutter et al.	
D625,980	S *	10/2010	Liu	D8/56
7,979,980	B2 *	7/2011	Westley et al.	29/755
2010/0071528	A1	3/2010	Viereck et al.	

OTHER PUBLICATIONS

Web site http://www.datasharktools.com/view_tool.php?id=535&pid=263.

* cited by examiner

Primary Examiner — Austin Murphy

(74) *Attorney, Agent, or Firm* — Foley & Lardner LLP

(57) **CLAIM**

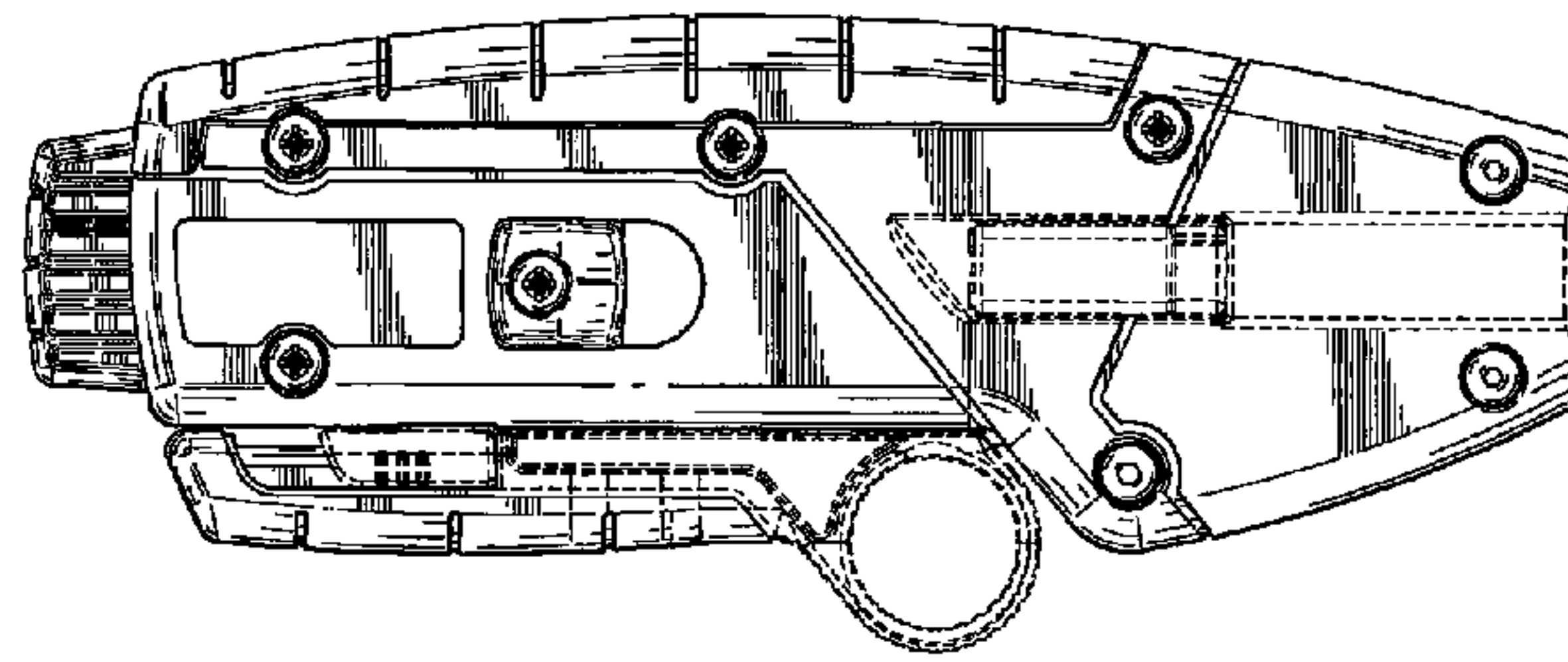
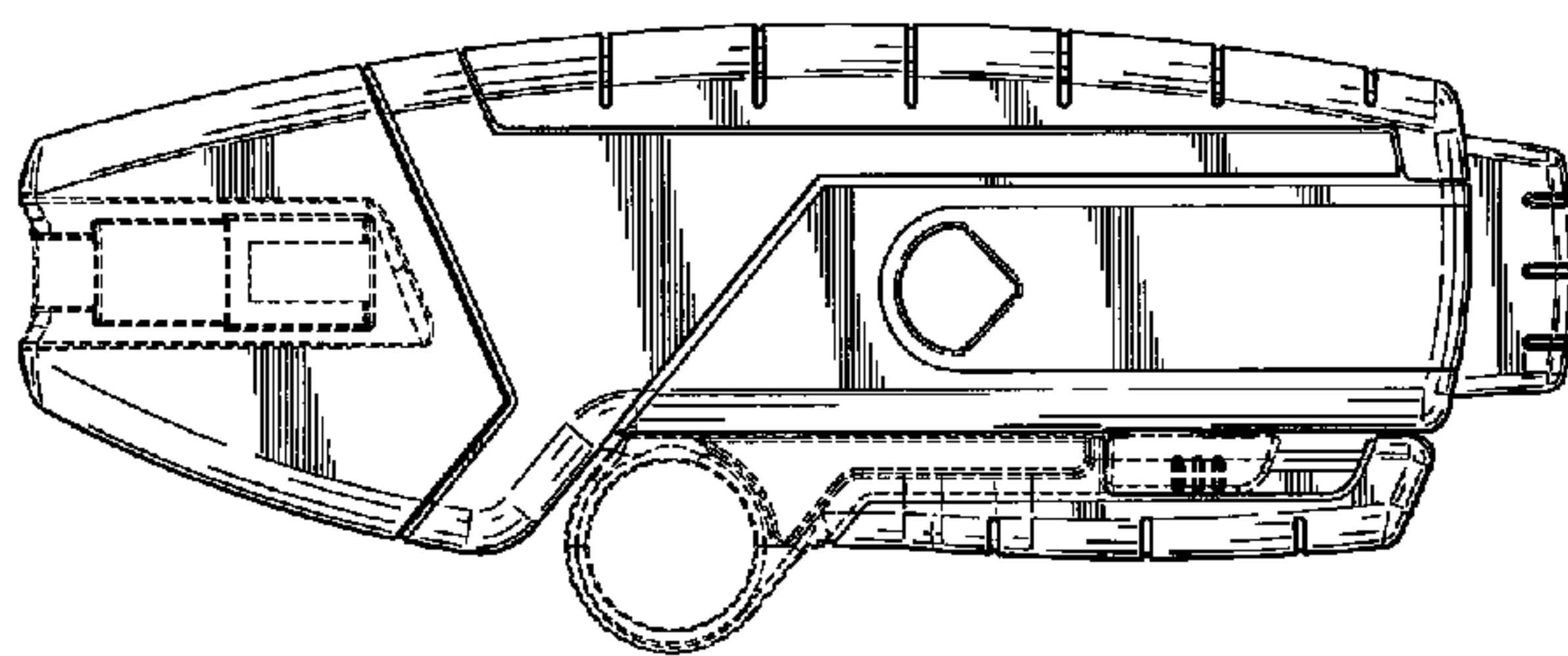
The ornamental design for a coaxial cable connector installation tool, as shown and described.

DESCRIPTION

FIG. 1 is a front perspective view of the coaxial cable connector installation tool of the present invention; FIG. 2 is a rear perspective view thereof; FIG. 3 is a side elevation view thereof; FIG. 4 is a rear elevation view thereof; FIG. 5 is a side elevation view thereof; FIG. 6 is a front elevation view thereof; FIG. 7 is a top plan view thereof; and, FIG. 8 is a bottom plan view thereof.

The broken lines shown in the drawings represent unclaimed portions of the coaxial cable connector installation tool and form no part of the claimed design.

1 Claim, 5 Drawing Sheets



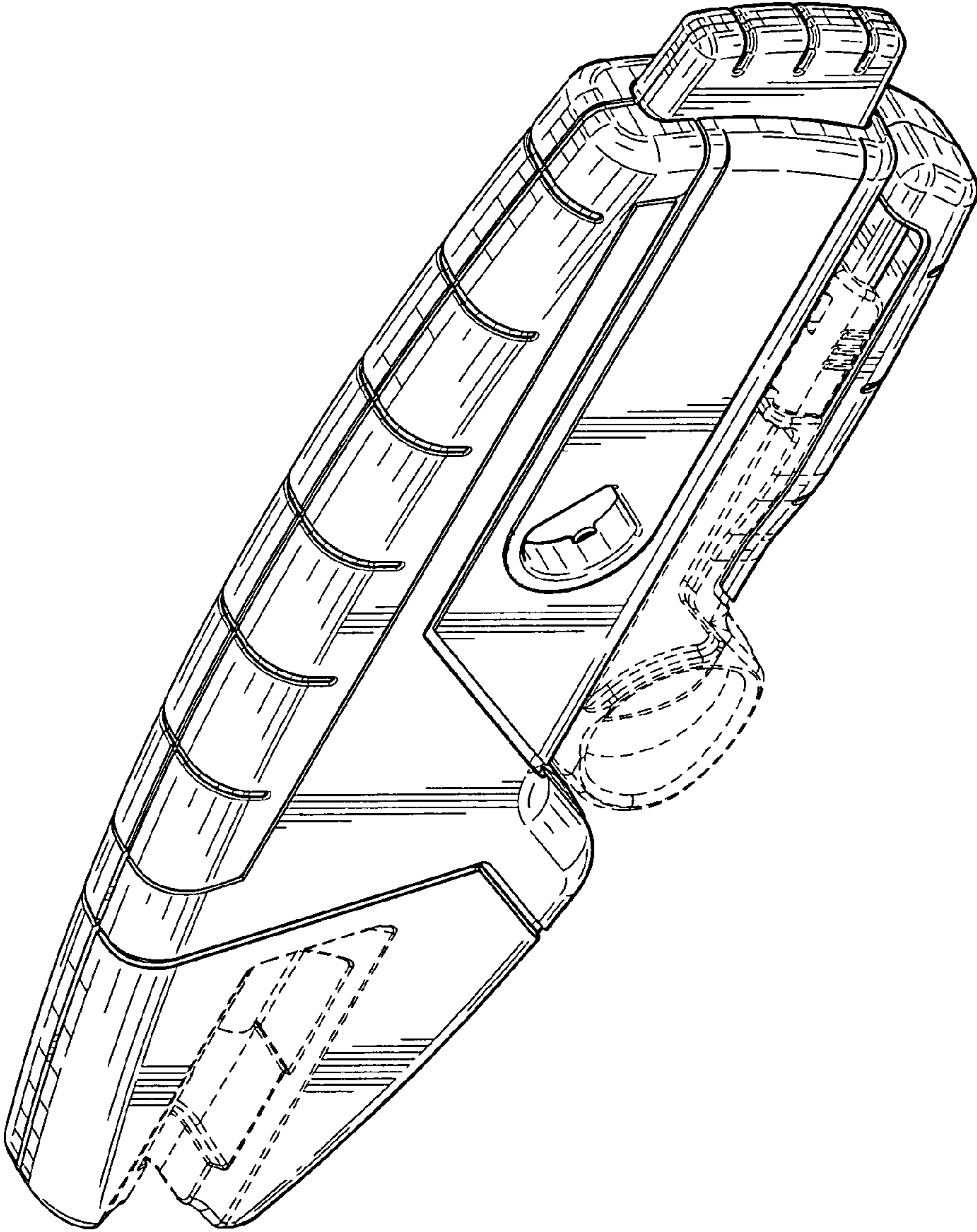


FIG. 1

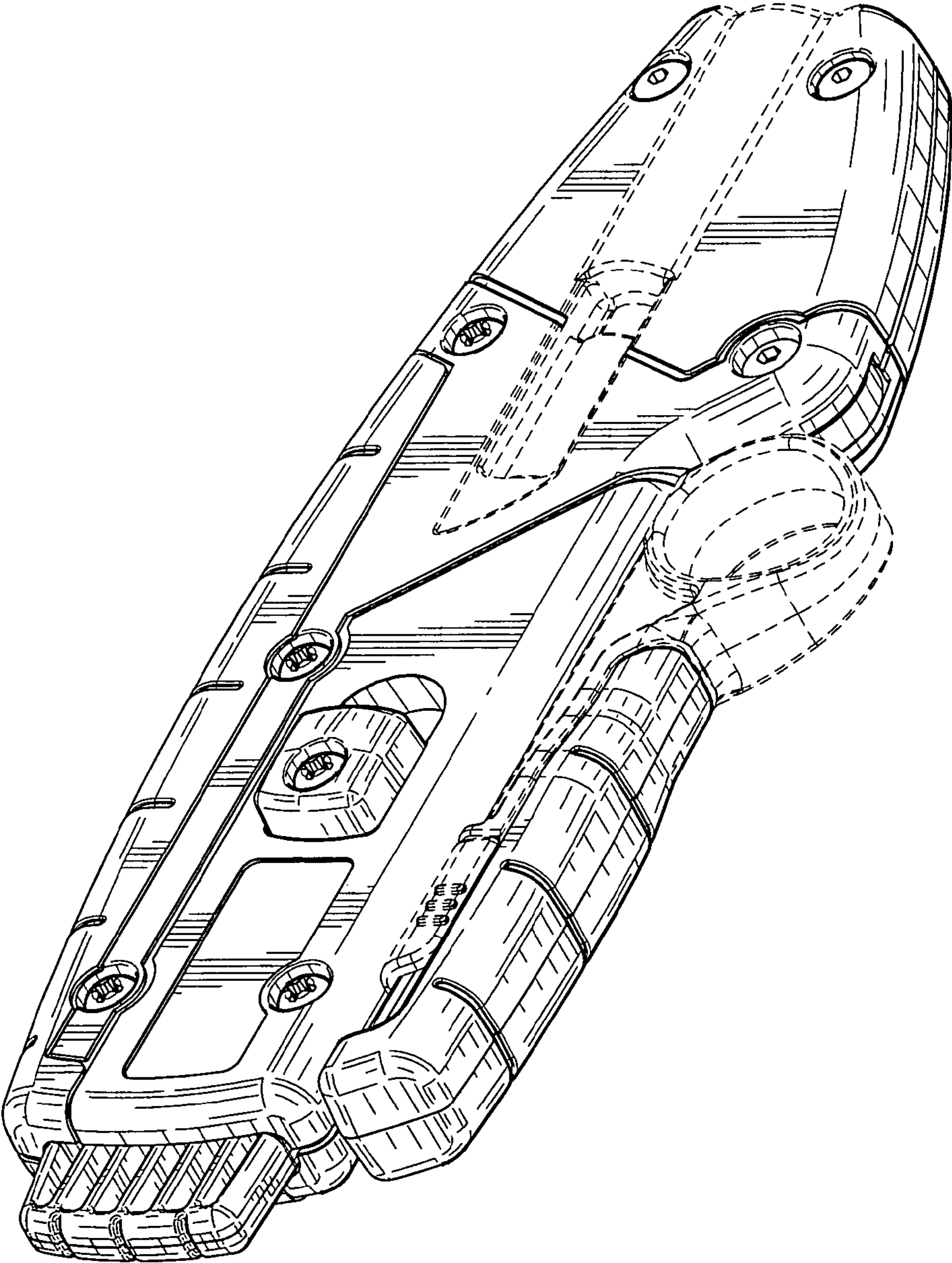


FIG. 2

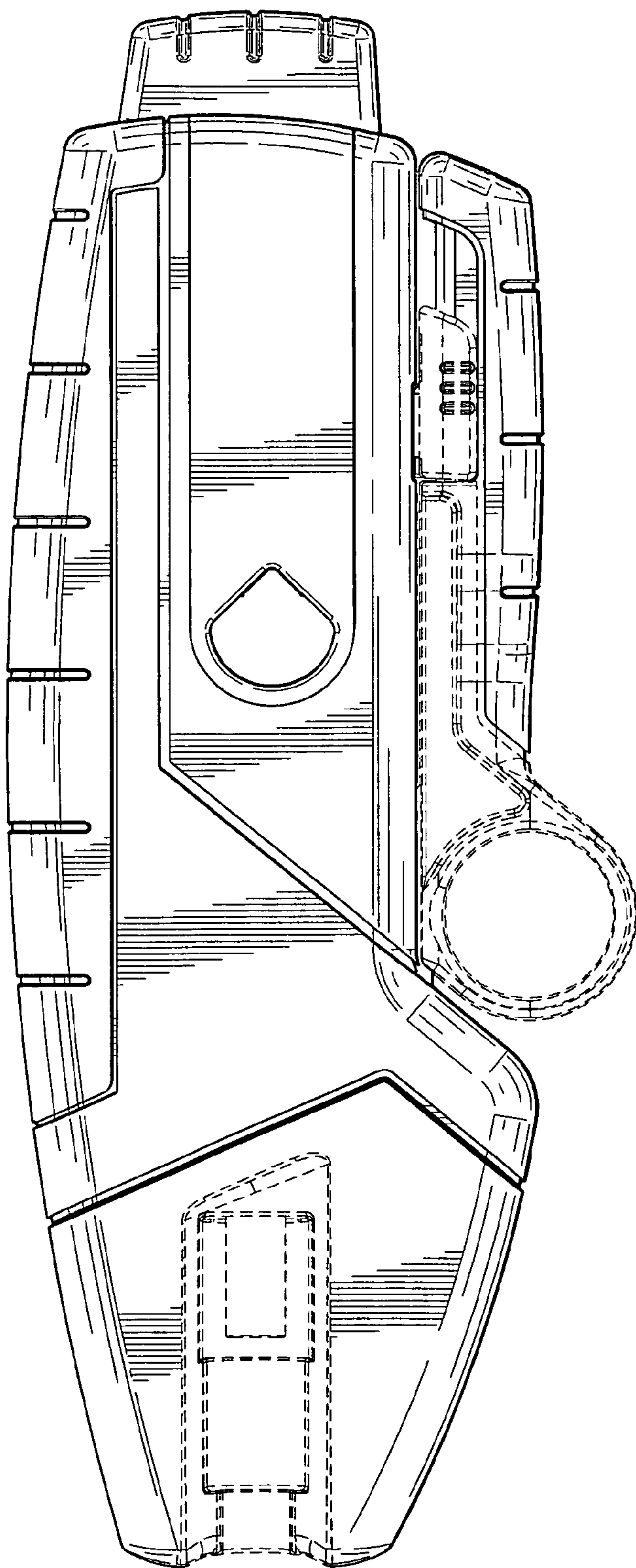


FIG. 3

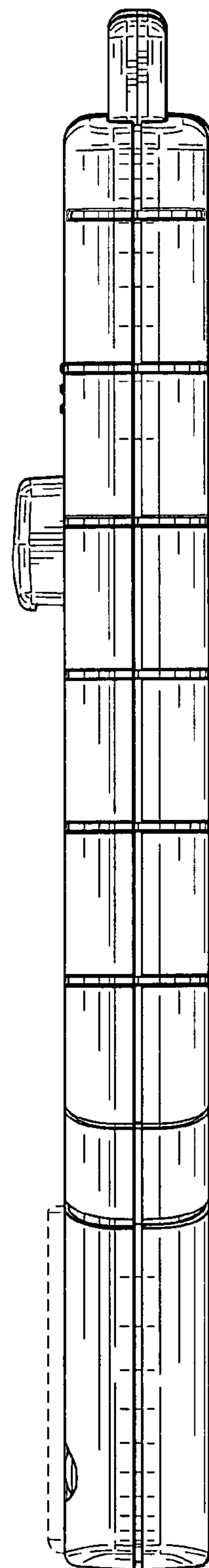


FIG. 7

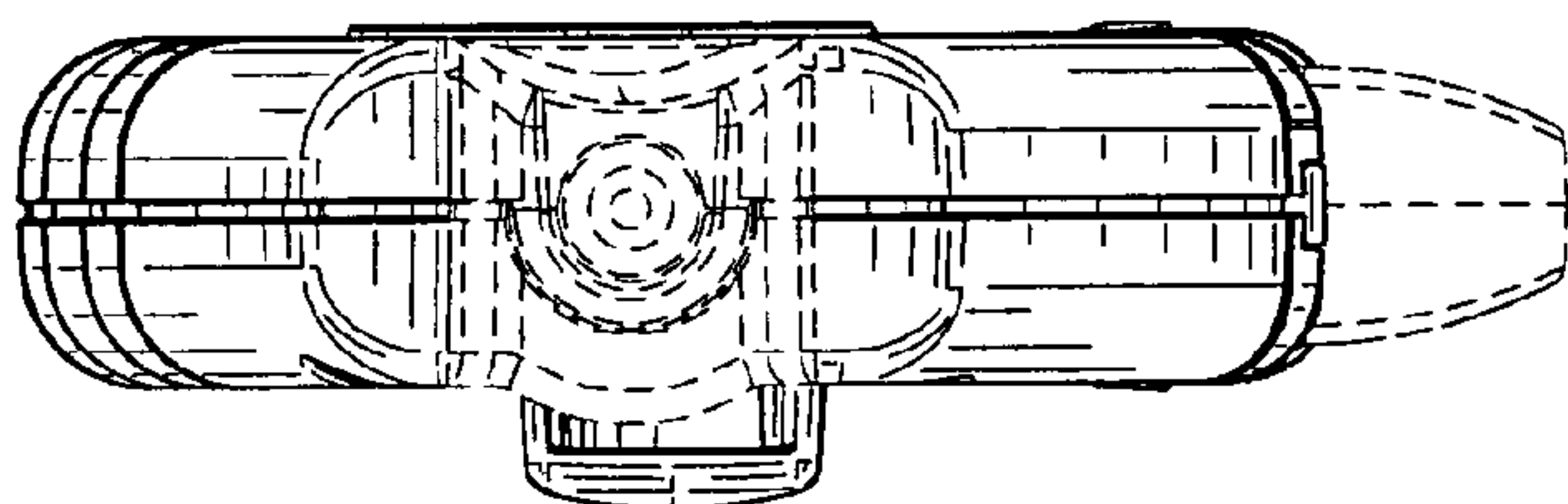


FIG. 4

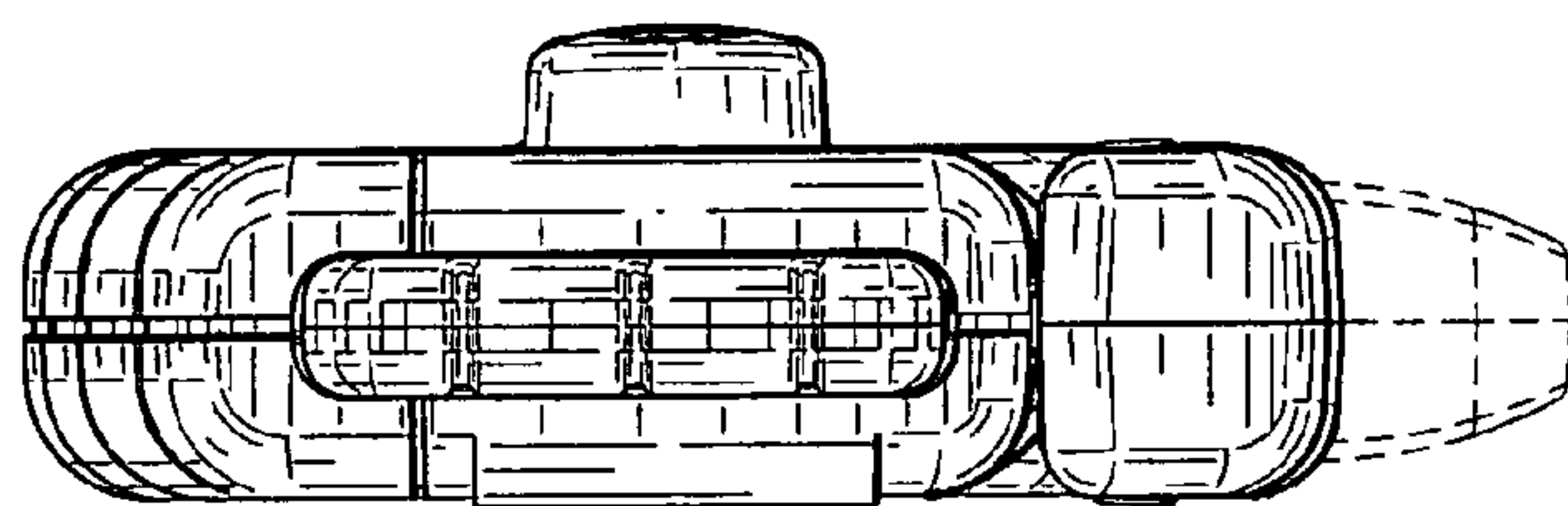


FIG. 6

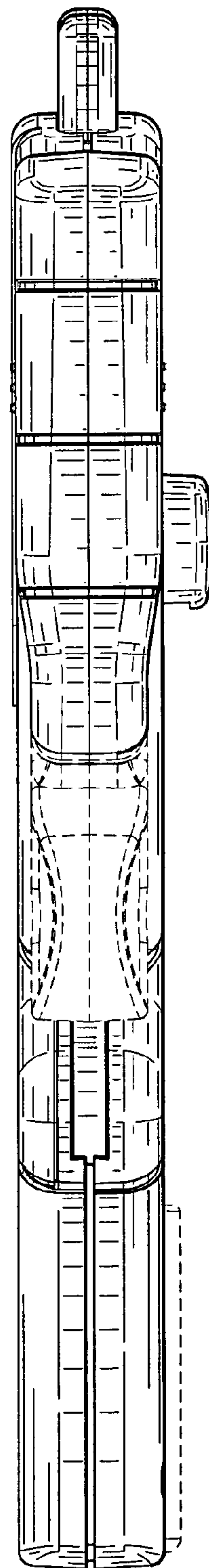


FIG. 8

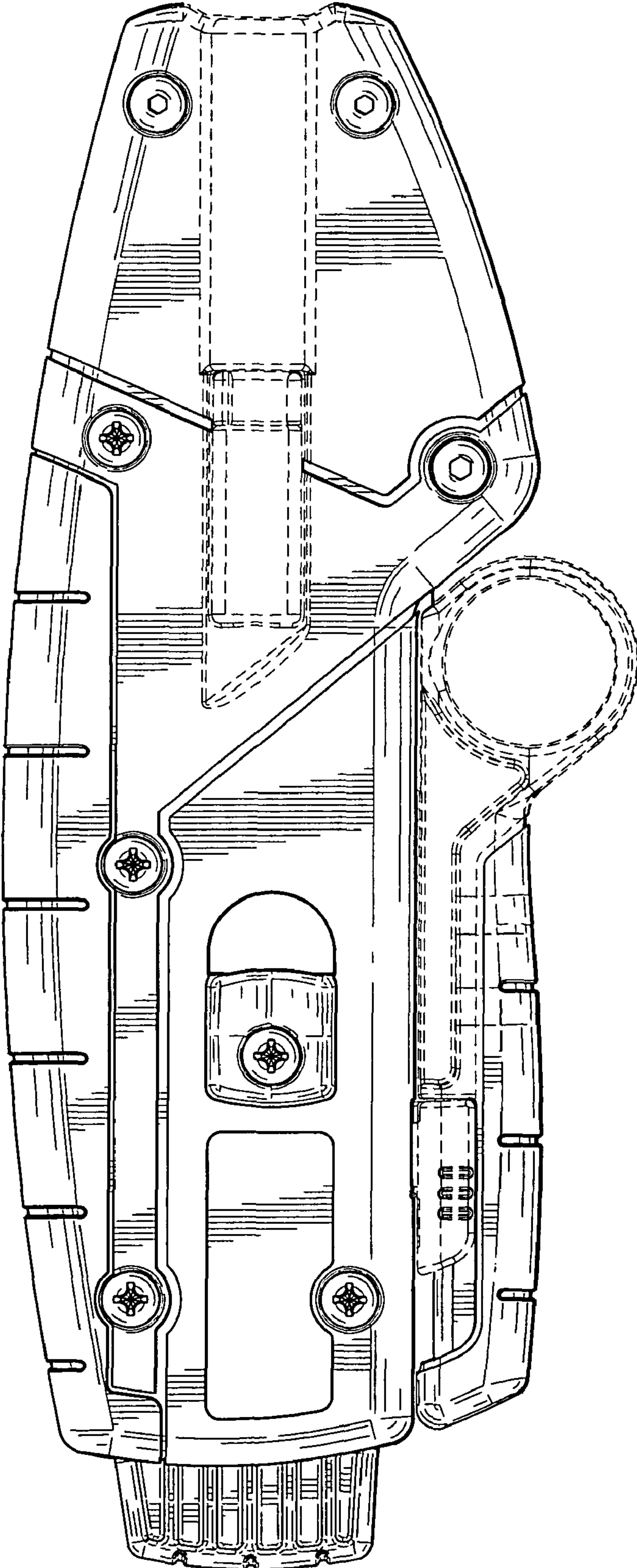


FIG. 5