



US00D655590S

(12) **United States Design Patent**
Edwards, Jr.

(10) **Patent No.:** **US D655,590 S**
(45) **Date of Patent:** **** Mar. 13, 2012**

(54) **DOOR HINGE PIN REMOVER**

(76) Inventor: **Richard E. Edwards, Jr.**, Oakland, MD
(US)

(**) Term: **14 Years**

(21) Appl. No.: **29/372,311**

(22) Filed: **Nov. 8, 2010**

(51) **LOC (9) Cl.** **08-05**

(52) **U.S. Cl.** **D8/51**

(58) **Field of Classification Search** D8/51,
D8/52, 1, 4, 14, 57, 58; D34/28; 294/19.1,
294/3, 11, 28, 50.9, 104, 50, 1.4, 111, 275,
294/253; 81/418, 427.5, 324, 381; 223/111;
269/231; D15/13

See application file for complete search history.

(56) **References Cited**

U.S. PATENT DOCUMENTS

776,591	A *	12/1904	Hower	294/11
2,359,677	A *	10/1944	Reeves	269/231
3,689,977	A *	9/1972	Crabbe	29/253
4,188,701	A *	2/1980	Ludwig	29/275
D267,074	S *	11/1982	Feighery	D8/13

5,603,543	A *	2/1997	Ratte	294/11
D402,669	S *	12/1998	Chapman et al.	D15/13
D510,241	S *	10/2005	McAnally	D8/14
D532,661	S *	11/2006	Wood	D8/14
D558,547	S *	1/2008	Gildemeister et al.	D8/51
D568,124	S *	5/2008	Stevens, Sr.	D8/14
D573,424	S *	7/2008	Mitchell	D8/14
7,971,329	B1 *	7/2011	Brohard	29/275

* cited by examiner

Primary Examiner — Austin Murphy

(74) *Attorney, Agent, or Firm* — Richard L. Mikesell

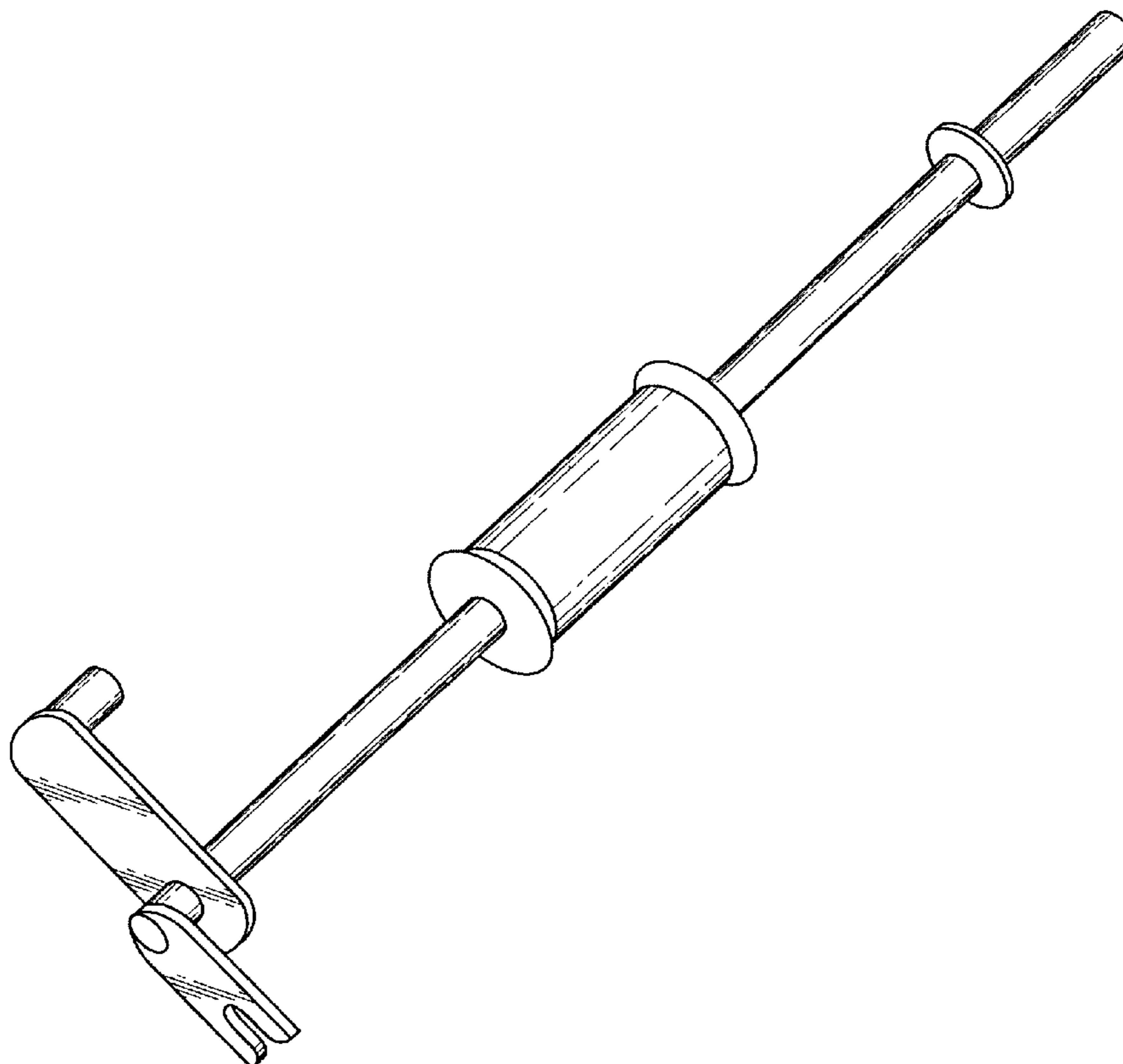
(57) **CLAIM**

The ornamental design for a door hinge pin remover, as shown and described.

DESCRIPTION

- FIG. 1: Top left perspective view;
- FIG. 2: Left side elevation;
- FIG. 3: Right side elevation;
- FIG. 4: Top plan view;
- FIG. 5: Bottom plan view;
- FIG. 6: Rear elevation; and,
- FIG. 7: Front elevation.

1 Claim, 4 Drawing Sheets



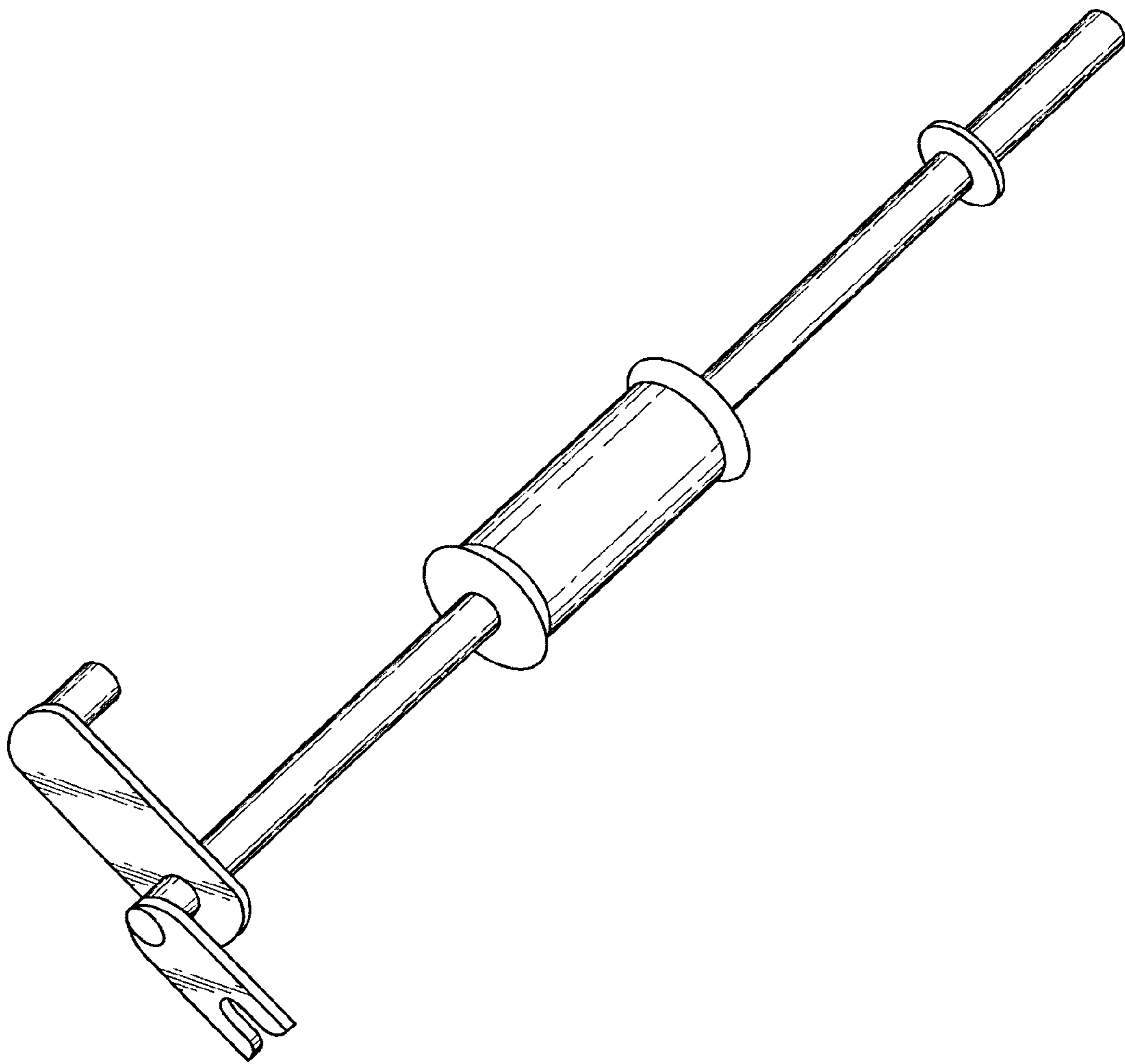


Fig. 1

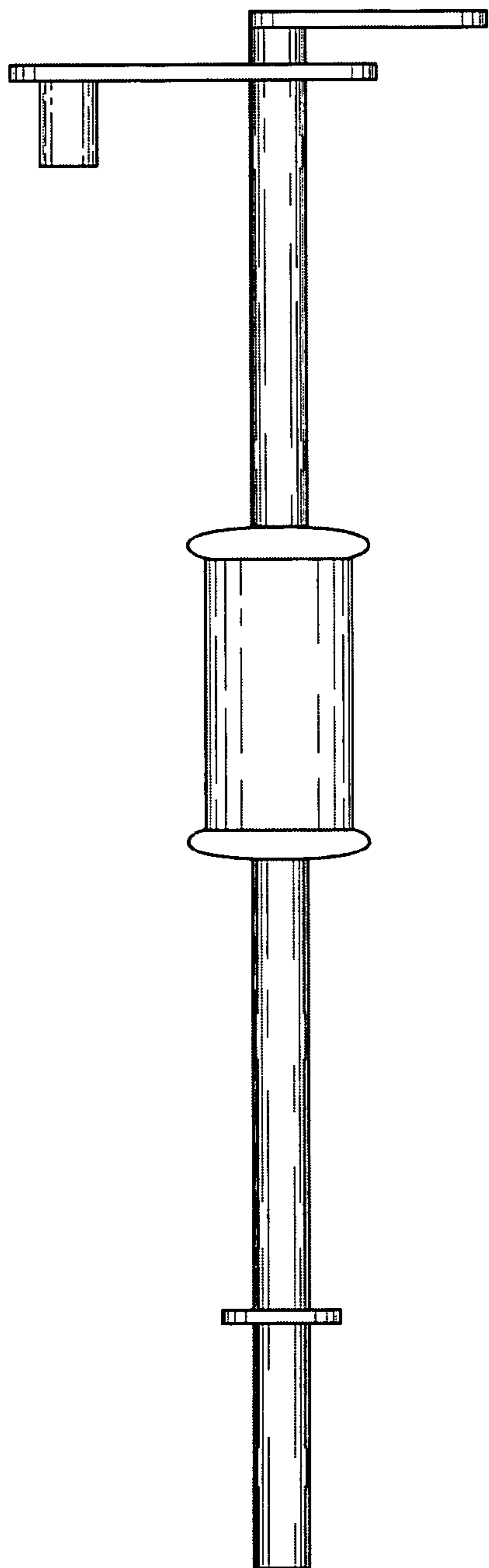


Fig. 2

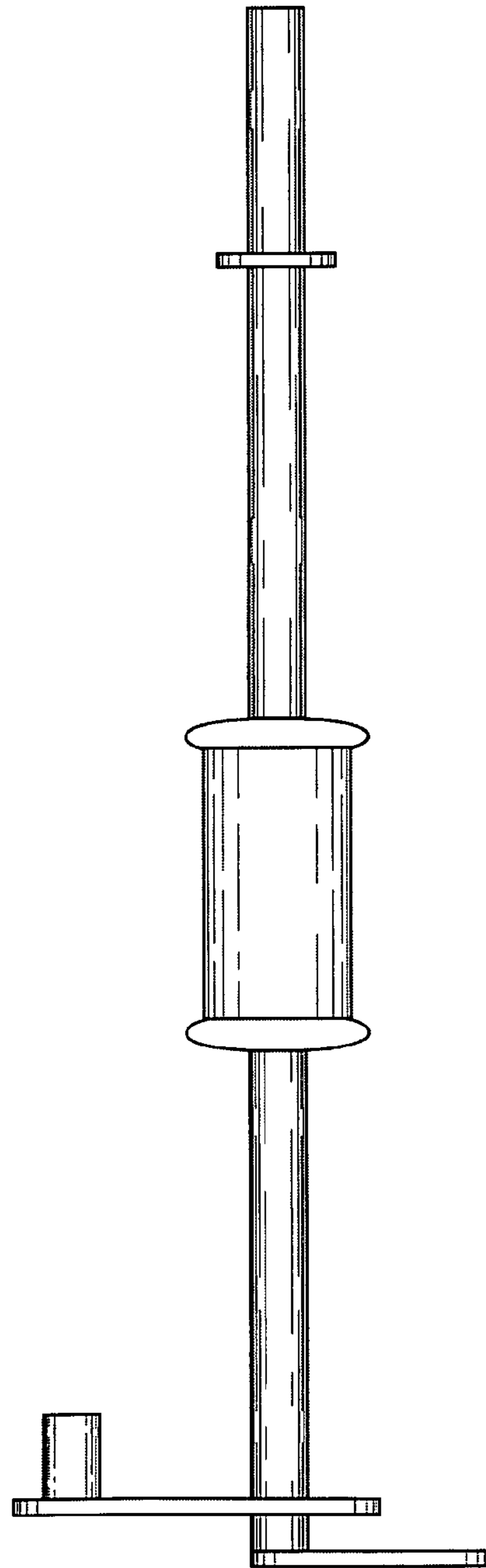


Fig. 3

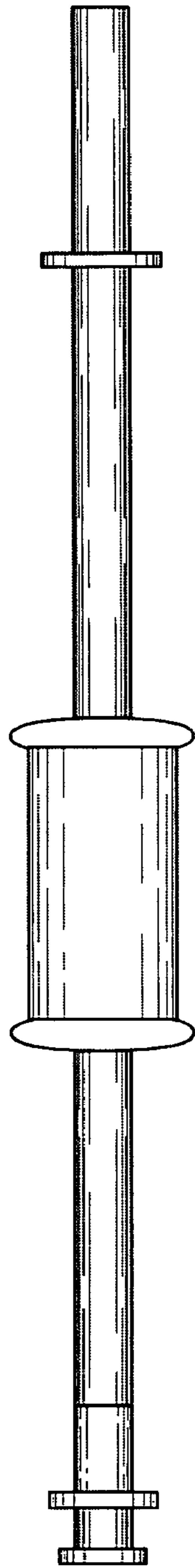


Fig. 4

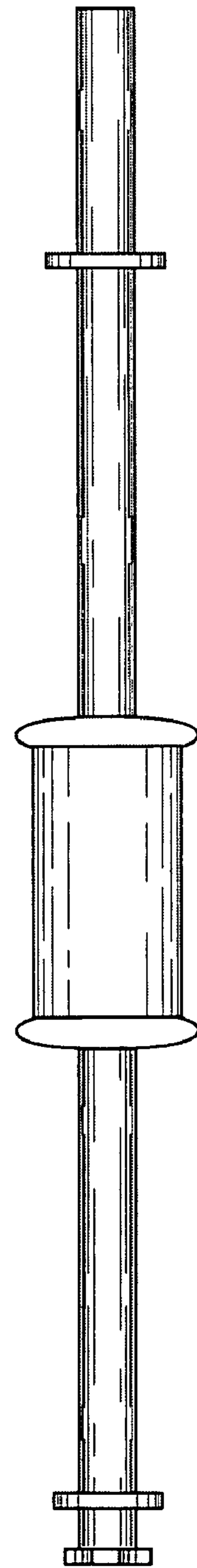


Fig. 5

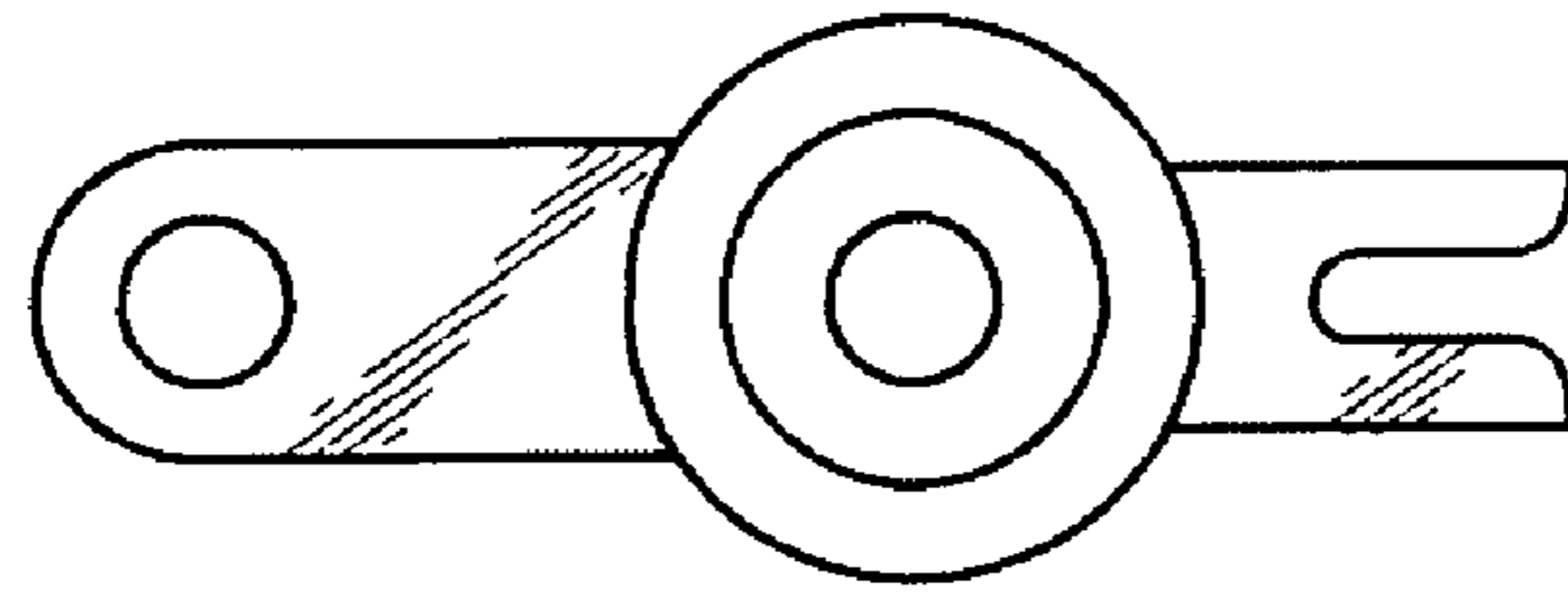


Fig. 6

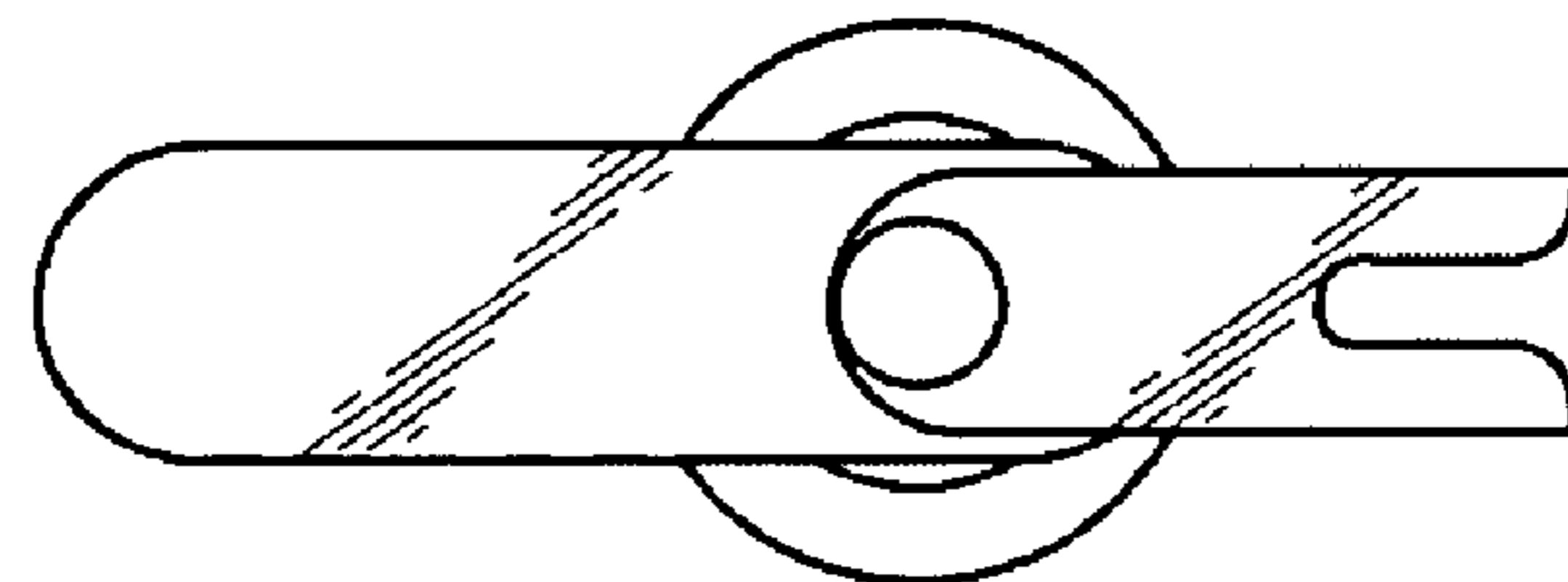


Fig. 7