



US00D655588S

(12) **United States Design Patent**  
**Pennington et al.**

(10) **Patent No.:** **US D655,588 S**  
(45) **Date of Patent:** **\*\* Mar. 13, 2012**

(54) **FASTENING TOOL**

(75) Inventors: **Stephen Craig Pennington**, Chicago, IL (US); **Kyle Walters**, Chicago, IL (US); **Ryan Alan Heiser**, Chicago, IL (US); **Christian Freissler**, Portland, OR (US); **Hannah Rose May**, Portland, OR (US); **Robert Christopher Frost**, Portland, OR (US)

(73) Assignee: **Arrow Fastener Co., LLC**, Saddle Brook, NJ (US)

(\*\*) Term: **14 Years**

(21) Appl. No.: **29/403,802**

(22) Filed: **Oct. 11, 2011**

(51) **LOC (9) Cl.** ..... **19-02**

(52) **U.S. Cl.** ..... **D8/49**

(58) **Field of Classification Search** ..... D8/48, D8/49, 50, 61, 68, 69, 70; D19/72, 73, 65, D19/69; D21/532; D24/145; 7/158, 160; 227/4, 5, 6, 7, 8, 120, 127, 128, 131, 132, 227/134, 144, 156, 175.1; 606/139, 143, 606/153, 219

See application file for complete search history.

(56) **References Cited**

**U.S. PATENT DOCUMENTS**

|           |     |         |               |       |       |
|-----------|-----|---------|---------------|-------|-------|
| 4,450,998 | A * | 5/1984  | Ruskin        | ..... | 227/8 |
| D319,762  | S * | 9/1991  | Chi           | ..... | D8/49 |
| 5,107,390 | A   | 4/1992  | Goldner       |       |       |
| 5,165,587 | A   | 11/1992 | Marks         |       |       |
| 5,328,075 | A   | 7/1994  | Marks         |       |       |
| 5,407,118 | A   | 4/1995  | Marks         |       |       |
| D360,119  | S * | 7/1995  | Fealey        | ..... | D8/49 |
| D360,566  | S * | 7/1995  | Marks et al.  | ..... | D8/49 |
| 5,497,932 | A   | 3/1996  | Brewer et al. |       |       |

|           |     |         |                 |       |       |
|-----------|-----|---------|-----------------|-------|-------|
| 5,511,716 | A   | 4/1996  | Marks           |       |       |
| 5,622,258 | A   | 4/1997  | Baublitz et al. |       |       |
| D384,257  | S   | 9/1997  | Marks et al.    |       |       |
| D384,258  | S   | 9/1997  | Marks et al.    |       |       |
| 5,664,722 | A   | 9/1997  | Marks           |       |       |
| 5,699,949 | A   | 12/1997 | Marks           |       |       |
| 5,735,444 | A   | 4/1998  | Wingert         |       |       |
| 5,765,742 | A   | 6/1998  | Marks           |       |       |
| 5,816,470 | A   | 10/1998 | Plato et al.    |       |       |
| 5,884,829 | A   | 3/1999  | Wingert         |       |       |
| D411,422  | S * | 6/1999  | Juhlin et al.   | ..... | D8/49 |
| D415,668  | S * | 10/1999 | Elie            | ..... | D8/49 |
| 5,988,478 | A   | 11/1999 | Marks           |       |       |
| D432,883  | S   | 10/2000 | Wingert         |       |       |

(Continued)

**OTHER PUBLICATIONS**

U.S. Appl. No. 29/384,882, "Fastening Tool", filed Feb. 4, 2011, 7 pages.

(Continued)

*Primary Examiner* — Austin Murphy

(74) *Attorney, Agent, or Firm* — Brooks Kushman P.C.

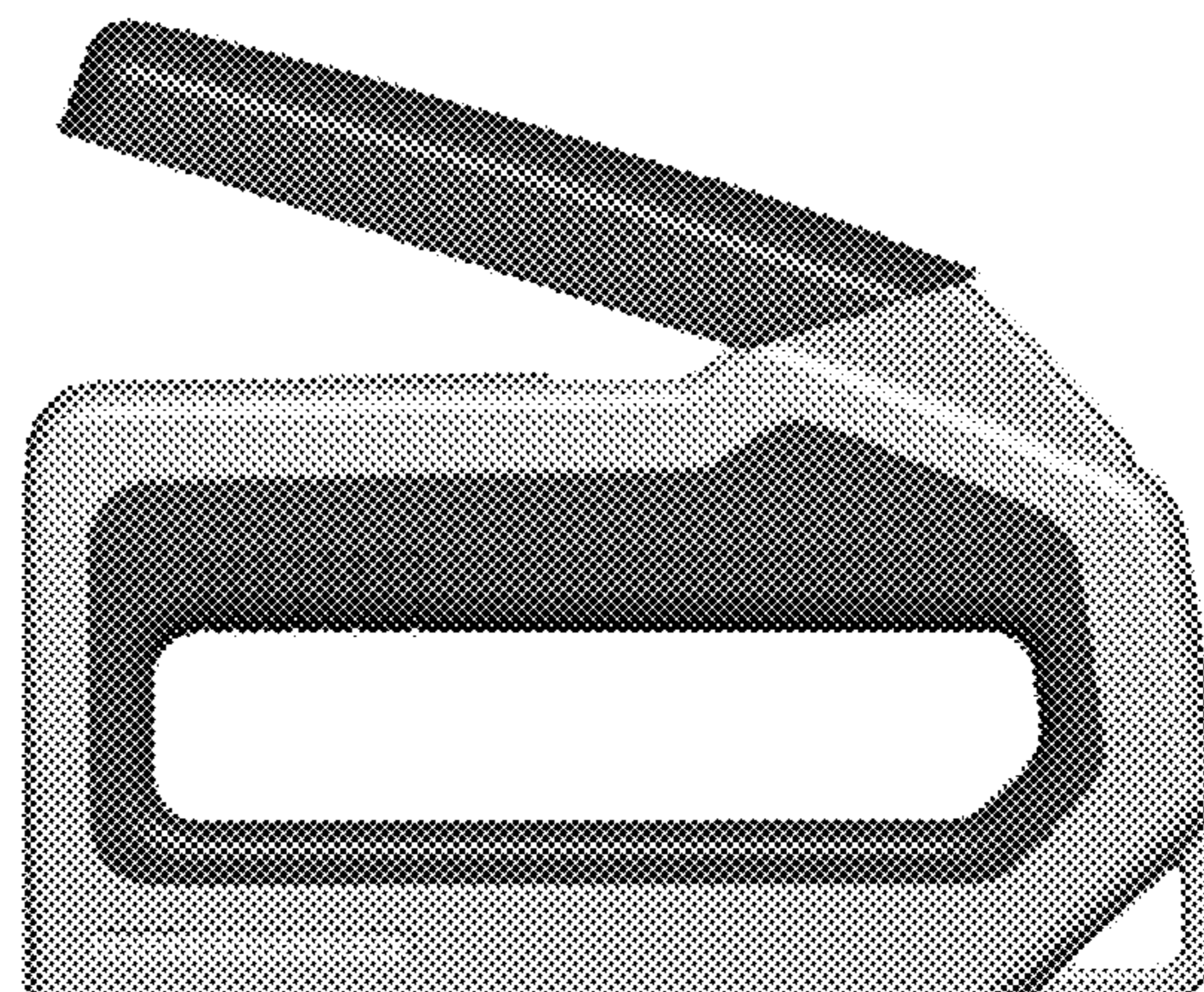
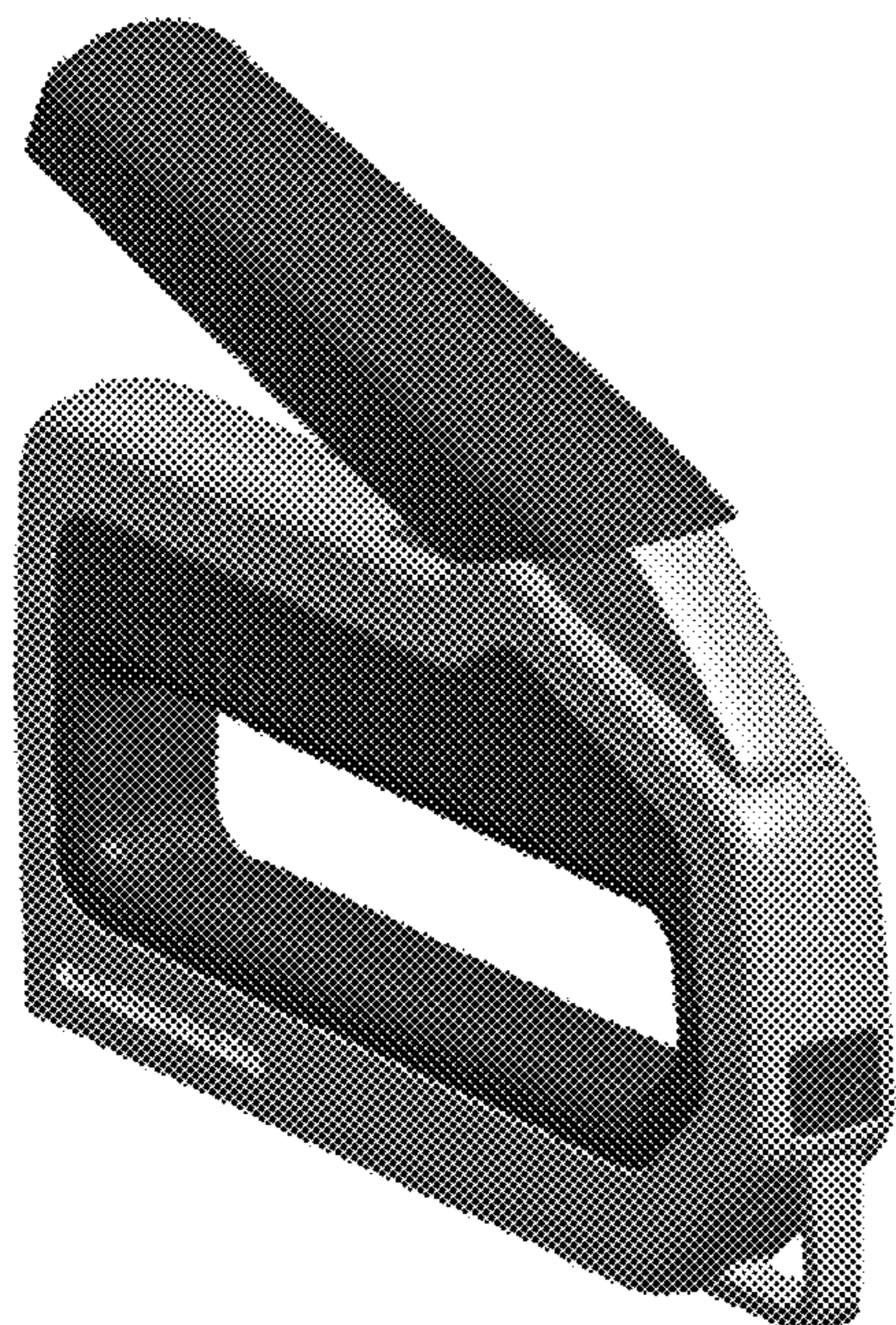
(57) **CLAIM**

The ornamental design for a fastening tool, as shown and described.

**DESCRIPTION**

FIG. 1 is a front perspective view of a fastening tool; FIG. 2 is a rear perspective view of the fastening tool of FIG. 1; FIG. 3 is a left side view of the fastening tool of FIG. 1, wherein a right side view is a mirror image thereof; FIG. 4 is a top view of the fastening tool of FIG. 1; FIG. 5 is a rear view of the fastening tool of FIG. 1; and, FIG. 6 is a front view of the fastening tool of FIG. 1.

**1 Claim, 4 Drawing Sheets**



# US D655,588 S

Page 2

## U.S. PATENT DOCUMENTS

6,131,788 A 10/2000 Marks  
6,145,728 A 11/2000 Marks  
6,173,877 B1 1/2001 Wingert  
D454,289 S \* 3/2002 Huang ..... D8/49  
6,355,892 B1 3/2002 Marks  
D466,773 S \* 12/2002 Lin ..... D8/49  
6,789,719 B2 9/2004 Shor  
D517,385 S \* 3/2006 Arns ..... D8/49  
D518,695 S \* 4/2006 Hu ..... D8/49  
7,097,088 B2 8/2006 Shor  
D531,469 S \* 11/2006 Osberg et al. .... D8/49  
D534,402 S \* 1/2007 Murray ..... D8/49  
D552,951 S 10/2007 Shor  
D553,459 S 10/2007 Shor  
D553,460 S 10/2007 Shor  
D560,987 S 2/2008 Krushlin et al.  
D561,550 S 2/2008 Krushlin et al.  
7,344,026 B2 3/2008 Melgaard  
D568,129 S \* 5/2008 Arns ..... D8/49  
D568,130 S \* 5/2008 Arns ..... D8/49  
D573,089 S 7/2008 Mandel et al.  
D574,205 S 8/2008 Krushlin et al.  
D576,545 S 9/2008 Mandel et al.

D578,365 S 10/2008 Mandel et al.  
D580,246 S 11/2008 Mandel et al.  
7,503,400 B2 3/2009 Llewellyn  
7,506,789 B2 3/2009 Shor  
D600,085 S 9/2009 Mandel et al.  
D600,986 S 9/2009 Betsalel et al.  
D604,576 S 11/2009 Betsalel et al.  
7,637,407 B2 12/2009 Shor  
7,699,202 B2 4/2010 Shor  
D620,330 S 7/2010 Krumpe et al.  
D620,331 S 7/2010 Krumpe et al.  
7,815,089 B2 10/2010 Shor  
D630,071 S 1/2011 Krumpe et al.  
D630,072 S 1/2011 Krumpe et al.  
D630,073 S 1/2011 Krumpe et al.  
D631,316 S 1/2011 Krumpe et al.  
D631,317 S 1/2011 Krumpe et al.  
D631,318 S 1/2011 Krumpe et al.

## OTHER PUBLICATIONS

U.S. Appl. No. 29/403,799, "Fastening Tool", filed Oct. 11, 2011, 5 pages.

\* cited by examiner



FIG. 1



FIG. 2

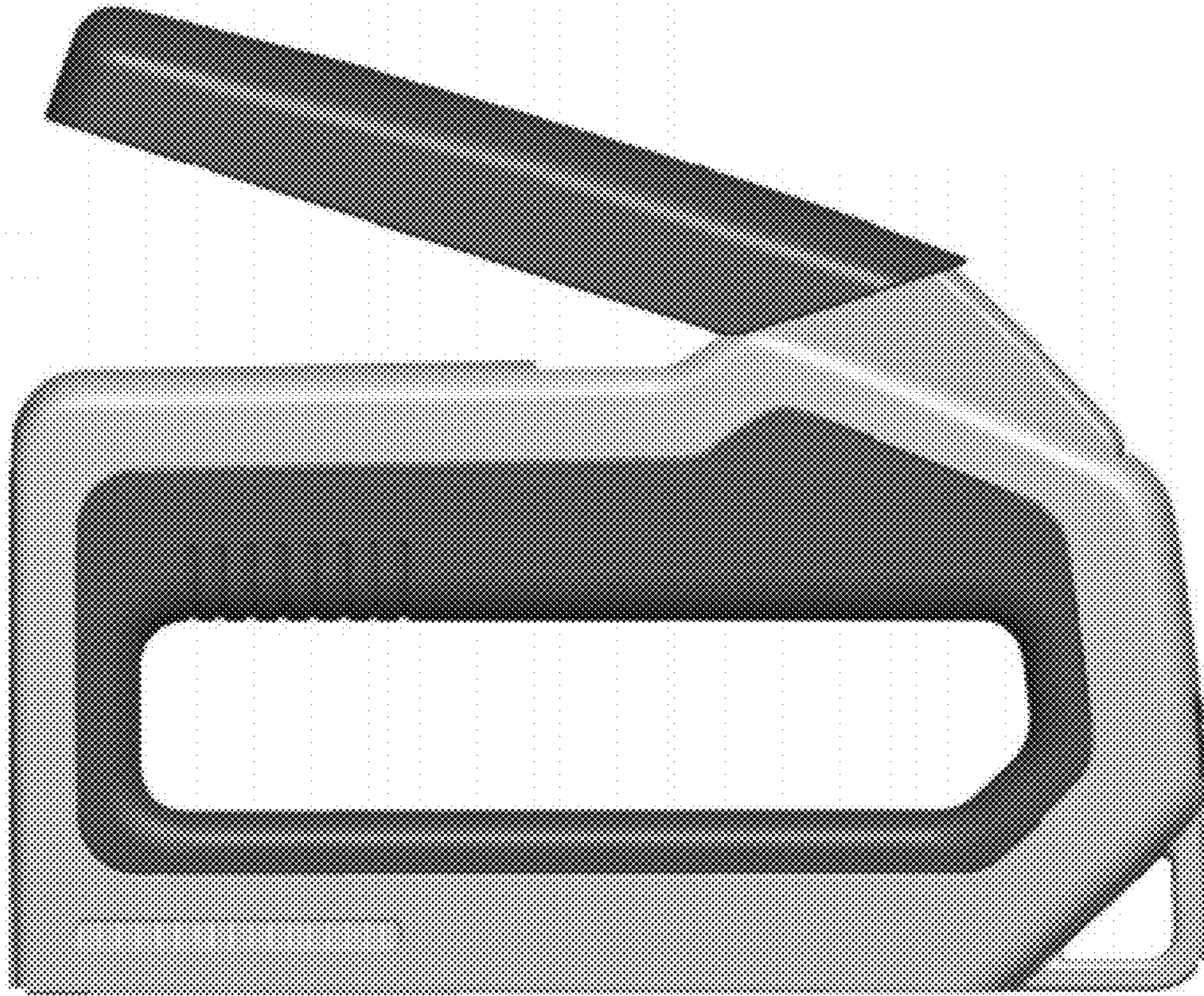


FIG. 3

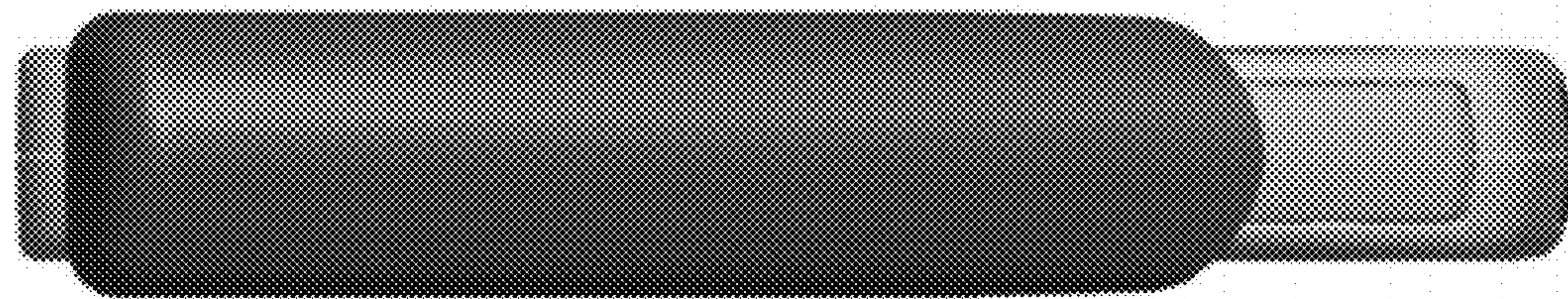


FIG. 4

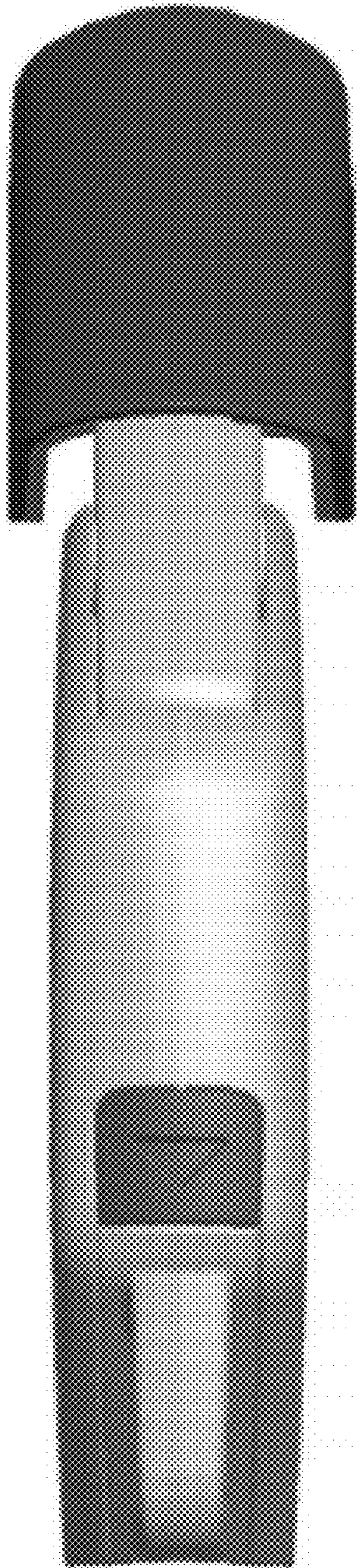


FIG. 5

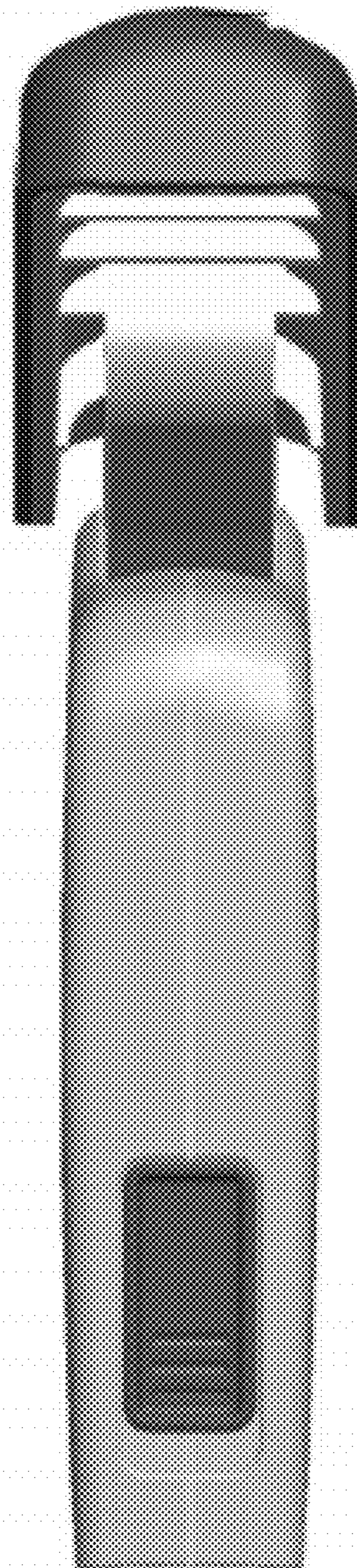


FIG. 6