



US00D655586S

(12) **United States Design Patent**  
**Robledo**

(10) **Patent No.:** **US D655,586 S**  
(45) **Date of Patent:** **\*\* Mar. 13, 2012**

(54) **DRIVER ADAPTER FOR HEXAGONAL SOCKET HEAD FASTENERS**

(76) Inventor: **John Robledo**, Las Vegas, NV (US)

(\*\*) Term: **14 Years**

(21) Appl. No.: **29/401,849**

(22) Filed: **Sep. 16, 2011**

(51) **LOC (9) Cl.** ..... **08-05**

(52) **U.S. Cl.** ..... **D8/27**

(58) **Field of Classification Search** ..... D8/21-29;  
81/58.3-59.16, 177.1, 177.85, 121.1, 124.3,  
81/165-170, 110.1, 176.2, 124.6, 176.1,  
81/176.15, 177.2; 16/110.1; D15/144.1;  
219/75, 227, 229, 121.16, 121.18

See application file for complete search history.

(56) **References Cited**

U.S. PATENT DOCUMENTS

2,672,066	A	3/1954	Sandrock et al.	
3,269,228	A	8/1966	Mack	
3,289,503	A	12/1966	Klatt, Jr.	
3,875,829	A	4/1975	Evans et al.	
3,881,376	A	5/1975	Wright	
D245,395	S *	8/1977	Cognevich	D8/70
4,526,069	A	7/1985	Cecil	
4,750,750	A	6/1988	Batalorf, Jr.	
D316,363	S *	4/1991	Lisenbee	D8/70
5,282,638	A *	2/1994	Harper	279/144
5,438,894	A	8/1995	Pearce	
5,509,333	A	4/1996	Dion	

5,568,757	A	10/1996	Lewis	
D384,563	S *	10/1997	Robinson	D8/70
5,676,028	A *	10/1997	Jordan	81/177.2
D386,656	S	11/1997	Kyser	
D401,830	S *	12/1998	Schneider	D8/70
D416,267	S *	11/1999	Reilly	D15/139
D425,385	S	5/2000	Jarvis	
6,269,717	B1	8/2001	Bollinger	
6,332,382	B1 *	12/2001	Anderson et al.	81/438
6,550,358	B1	4/2003	Martin	
D517,383	S	3/2006	Walls, Jr.	
D588,887	S *	3/2009	Lehman	D8/29
2009/0151515	A1	6/2009	Veltri	

\* cited by examiner

*Primary Examiner* — Raphael Barkai  
*Assistant Examiner* — Randall Gholson  
(74) *Attorney, Agent, or Firm* — Montgomery Patent & Design, LLC; Robert C. Montgomery; Joseph T. Yaksich

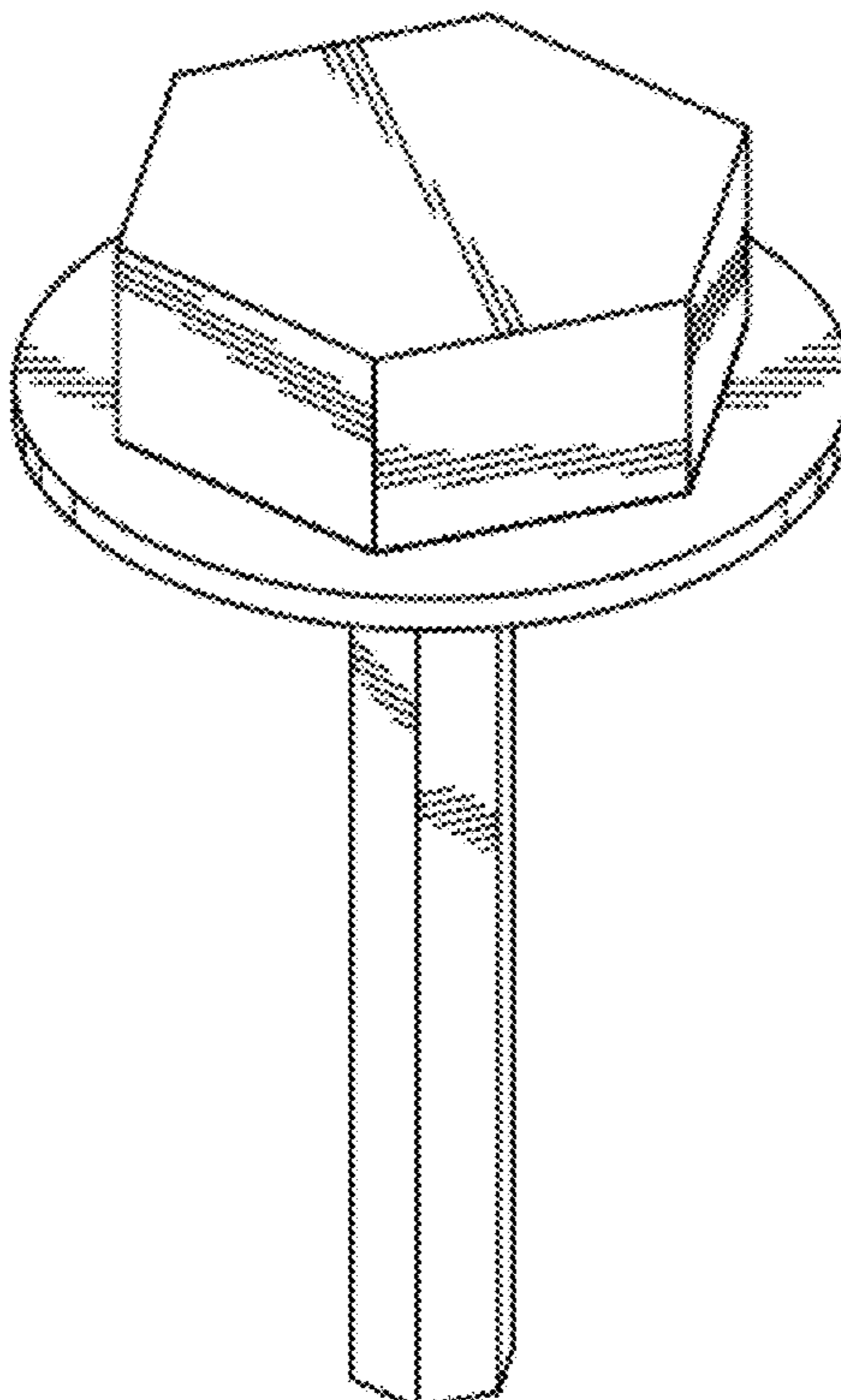
(57) **CLAIM**

The ornamental design for a driver adapter for hexagonal socket head fasteners, as shown and described.

**DESCRIPTION**

FIG. 1 is a perspective view of a driver adapter for hexagonal socket head fasteners, showing my new design;  
FIG. 2 is a front view thereof with a rear view being a mirror image;  
FIG. 3 is a left side view thereof with a right side view being a mirror image;  
FIG. 4 is a top view thereof; and,  
FIG. 5 is a bottom view thereof.

**1 Claim, 4 Drawing Sheets**



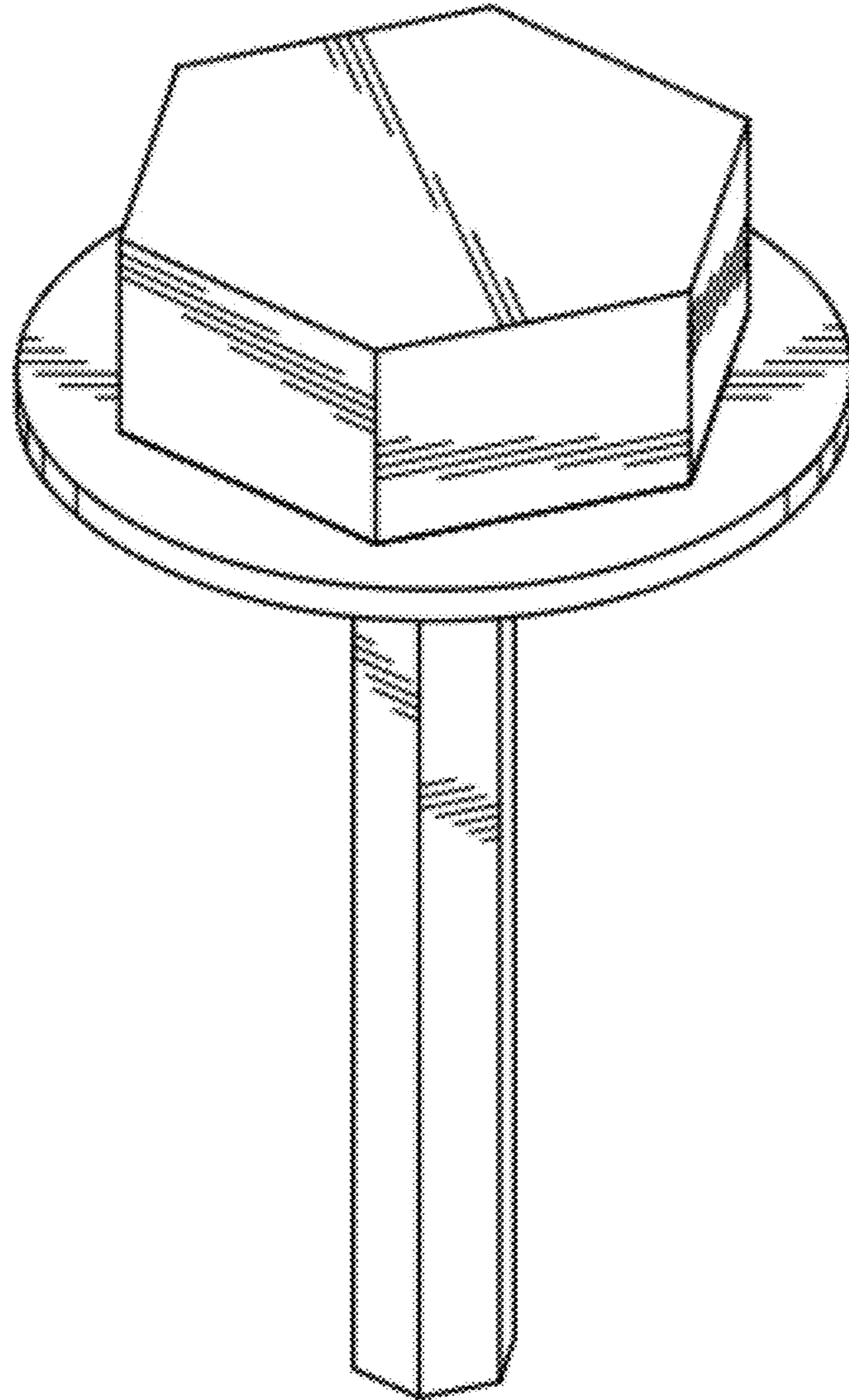


Fig. 1

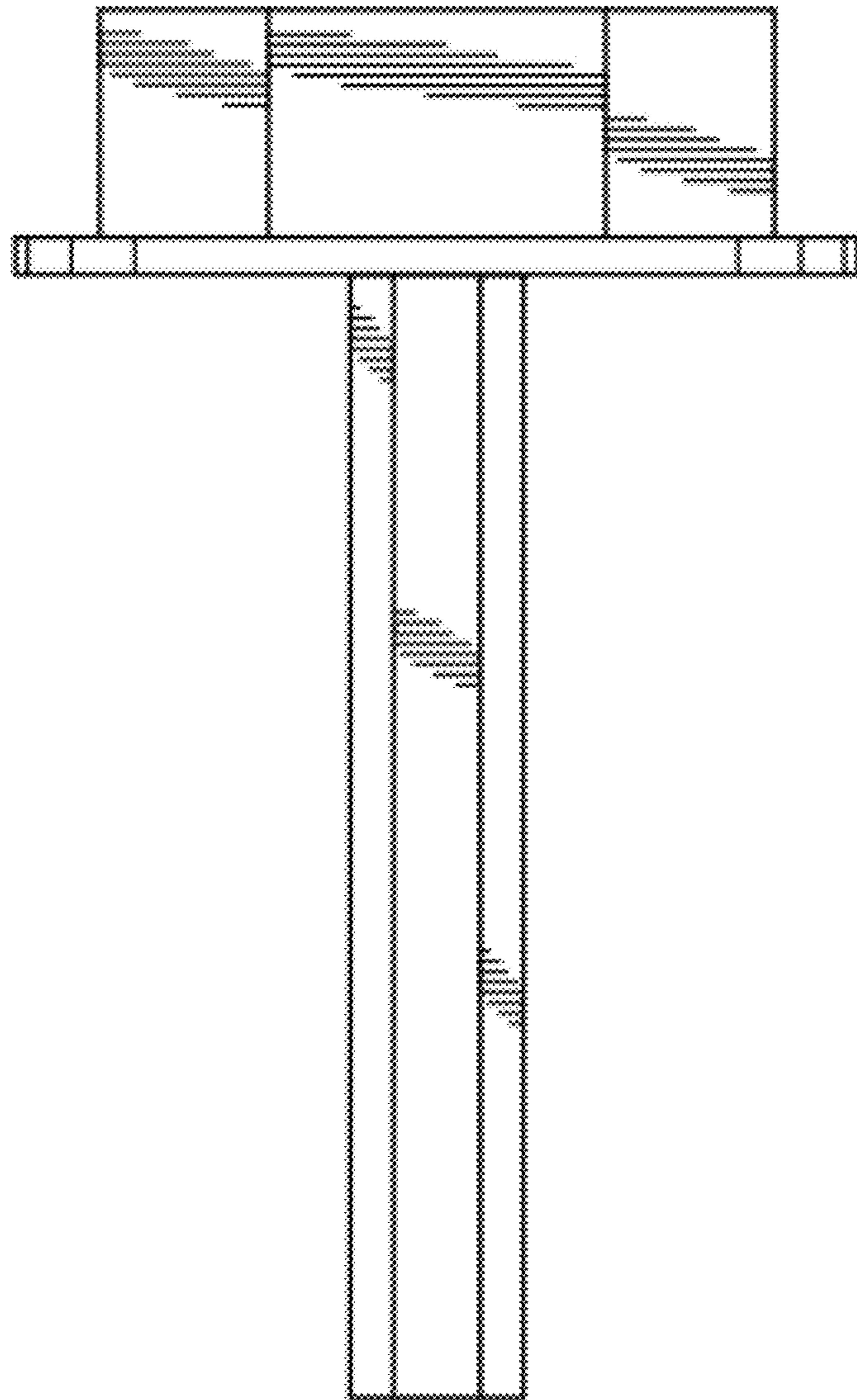


Fig. 2

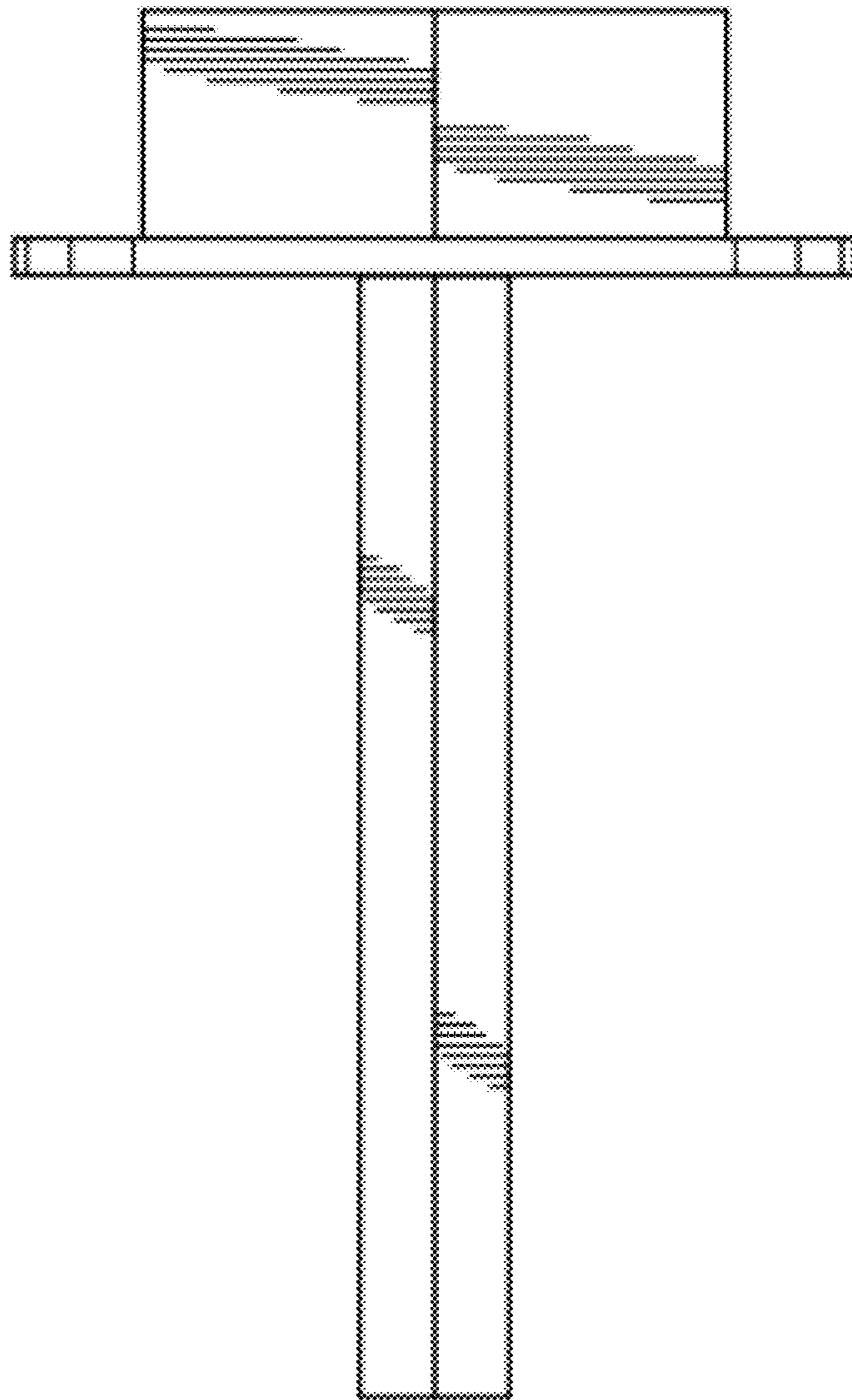


Fig. 3

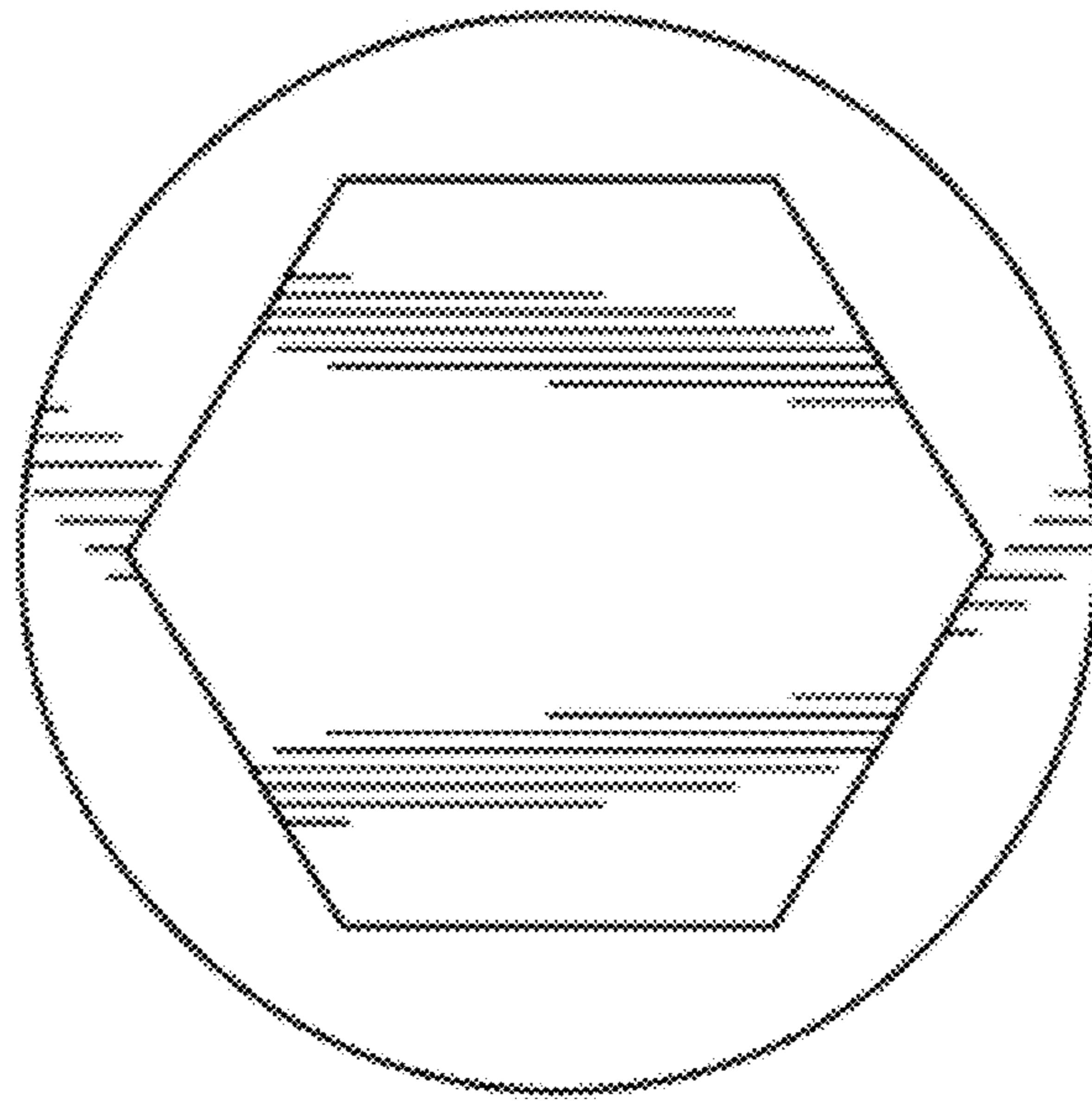


Fig. 4

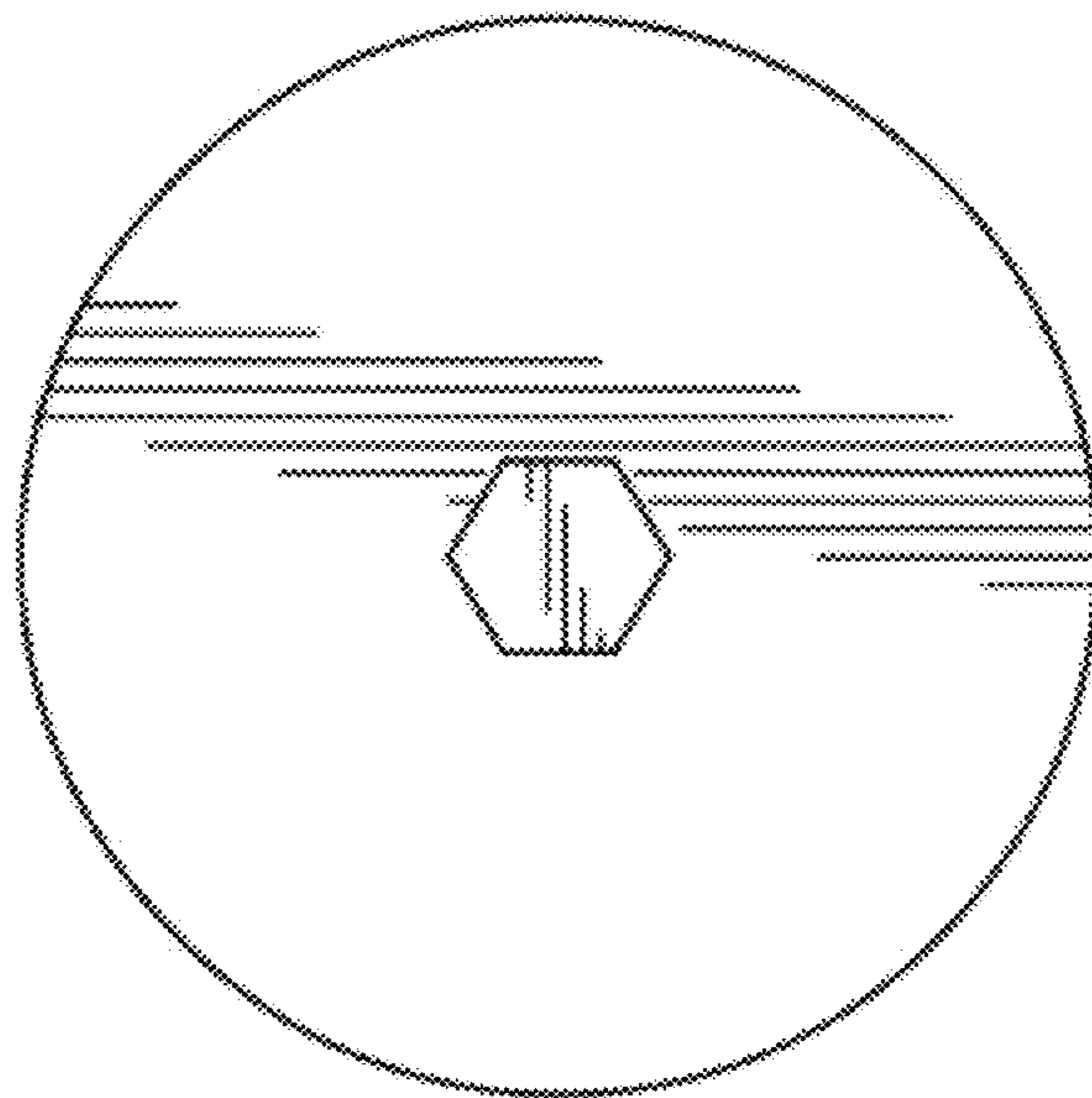


Fig. 5