



US00D655580S

(12) **United States Design Patent**
Kotani

(10) **Patent No.:** **US D655,580 S**
(45) **Date of Patent:** **** Mar. 13, 2012**

(54) **VACUUM BOTTLE**

D592,012 S * 5/2009 Carreno D7/510
D596,460 S * 7/2009 Nezu D7/510
D623,481 S * 9/2010 Moran D7/608

(75) Inventor: **Keito Kotani**, Osaka (JP)

(73) Assignee: **Zojirushi Corporation** (JP)

(**) Term: **14 Years**

(21) Appl. No.: **29/390,859**

(22) Filed: **Apr. 29, 2011**

(30) **Foreign Application Priority Data**

Nov. 2, 2010 (JP) 2010-026360

(51) **LOC (9) Cl.** **07-01**

(52) **U.S. Cl.** **D7/608**

(58) **Field of Classification Search** D7/605,
D7/608, 509-511; D9/516, 434, 549-559,
D9/575; 220/592.2, 592.21, 592.22, 592.23,
220/592.26, 592.27, 592.28; 215/12.1, 12.2,
215/13.1; 62/457.1-457.9, 371, 372

See application file for complete search history.

(56) **References Cited**

U.S. PATENT DOCUMENTS

D354,915 S * 1/1995 Schneider et al. D9/504
D422,455 S * 4/2000 Kato D7/608
D423,300 S * 4/2000 Matsuyama et al. D7/608
6,119,888 A * 9/2000 Goto et al. 220/592.27
D455,611 S * 4/2002 Kitamura et al. D7/608
D538,110 S * 3/2007 Kitamura et al. D7/608
D553,914 S * 10/2007 Wahl D7/608
D590,661 S * 4/2009 Kitamura et al. D7/510

FOREIGN PATENT DOCUMENTS

JP 1367883 8/2009
JP 1367884 8/2009

* cited by examiner

Primary Examiner — Terry Wallace

(74) *Attorney, Agent, or Firm* — SAIDMAN DesignLaw Group

(57) **CLAIM**

The ornamental design for a vacuum bottle, as shown and described.

DESCRIPTION

FIG. 1 is a perspective view of a vacuum bottle showing my/our new design;
FIG. 2 is a front view thereof;
FIG. 3 is a rear view thereof;
FIG. 4 is a left side elevation view thereof;
FIG. 5 is a right side elevation view thereof;
FIG. 6 is a top view thereof;
FIG. 7 is a bottom view thereof;
FIG. 8 is a front perspective view thereof, wherein the lock member is in the unlock position;
FIG. 9 is another front perspective view thereof, wherein the cap is opened; and,
FIG. 10 is rear perspective view thereof, wherein the cap is opened.

1 Claim, 10 Drawing Sheets

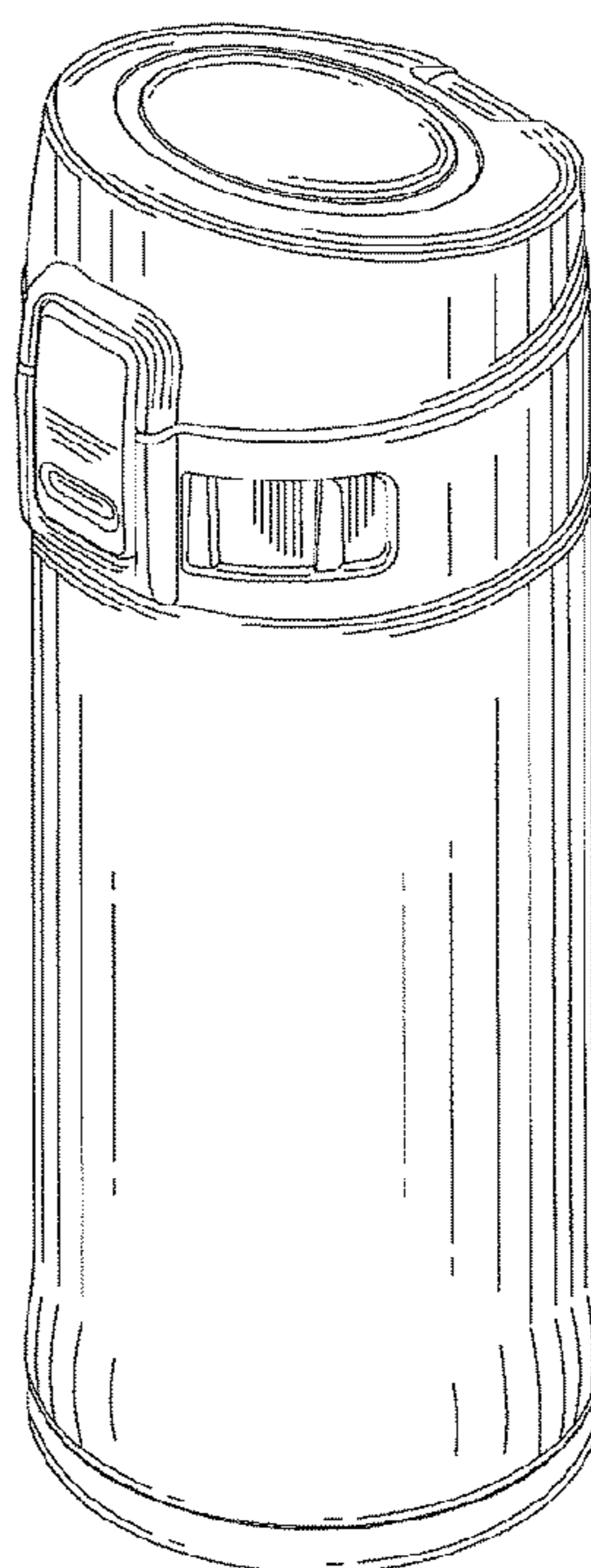


Fig. 1

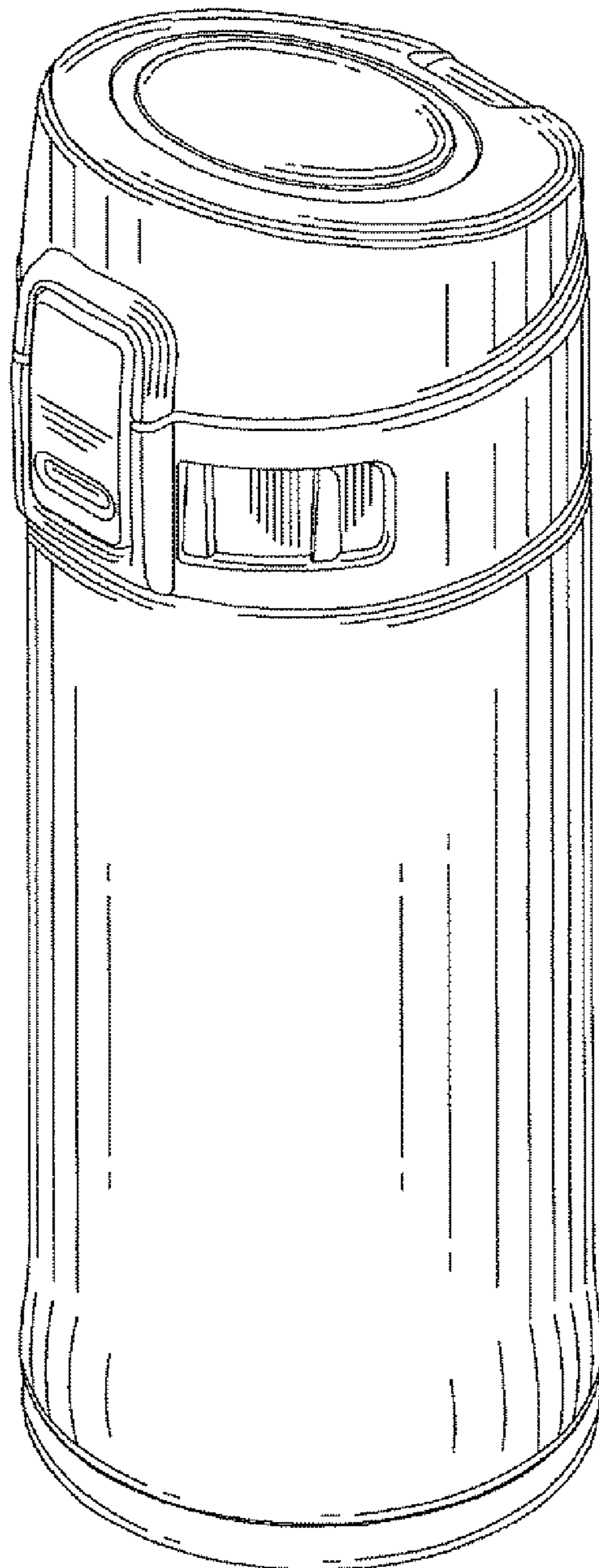


Fig. 2

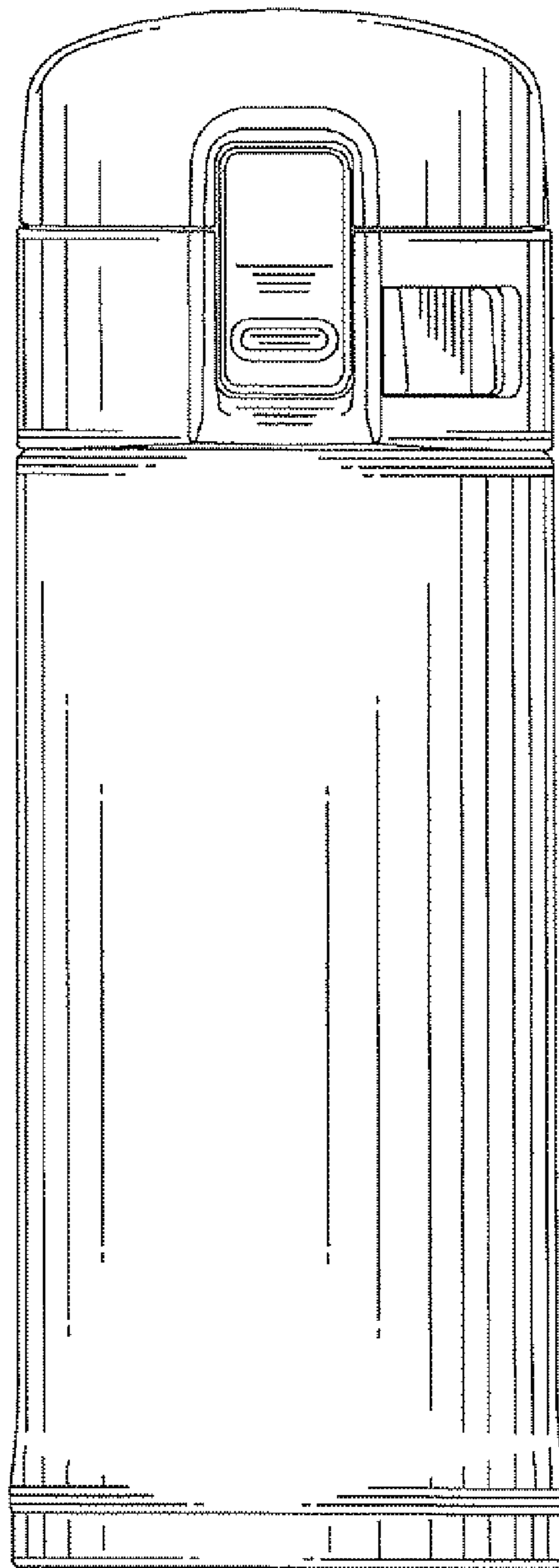


Fig. 3

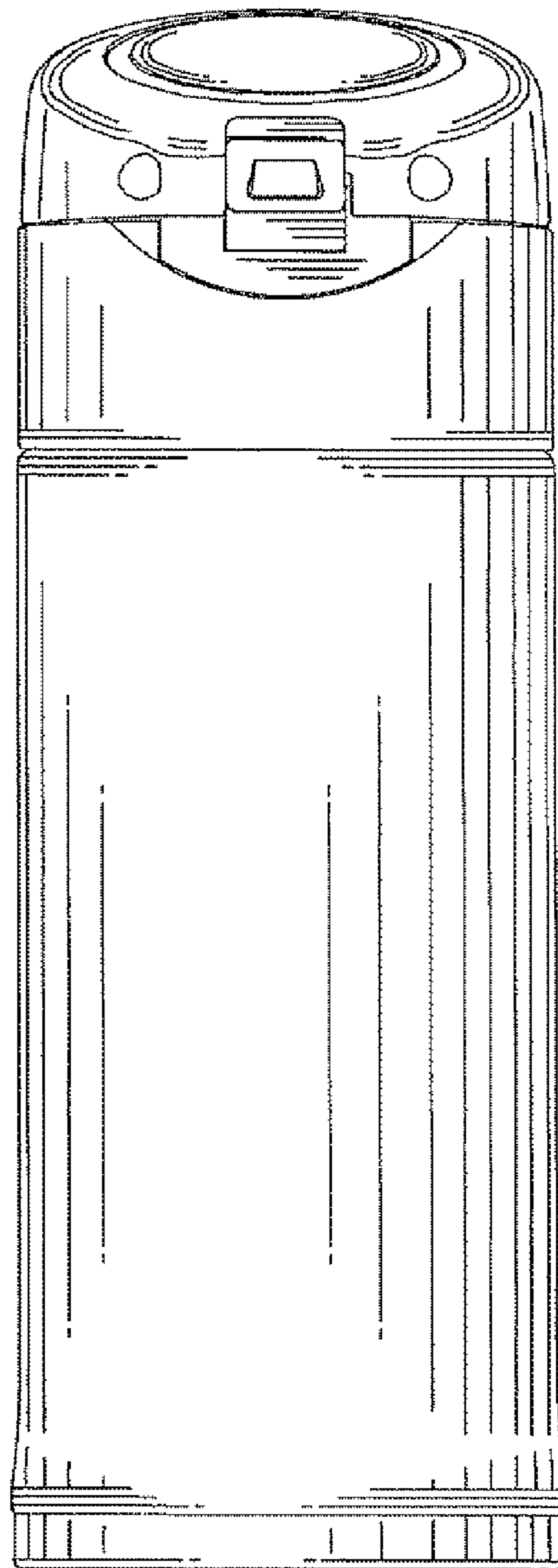


Fig. 4

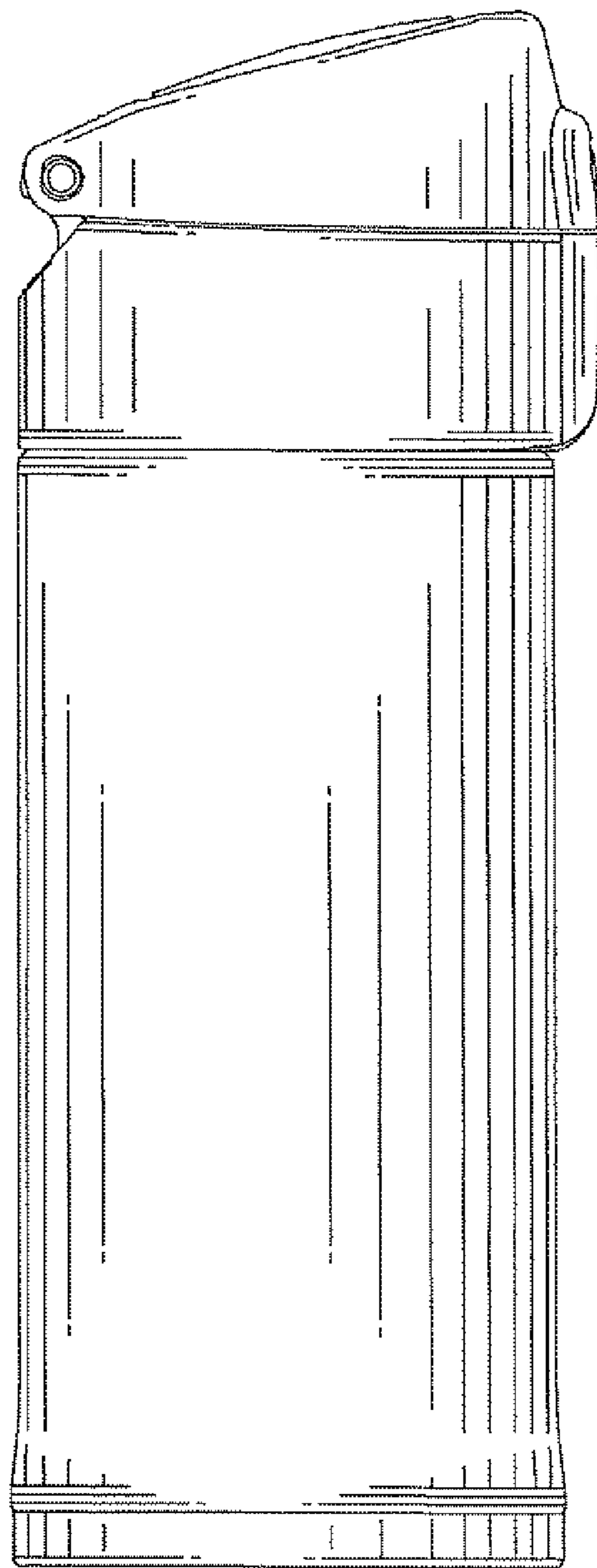


Fig. 5

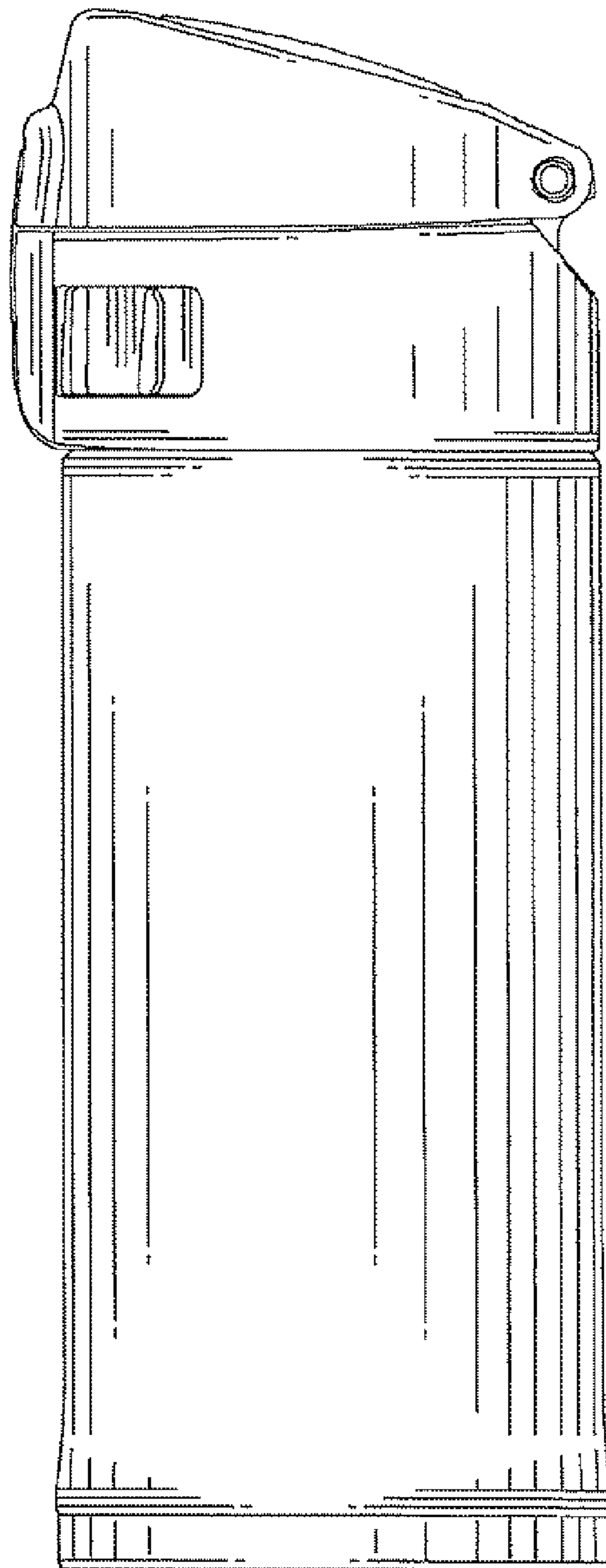


Fig. 6

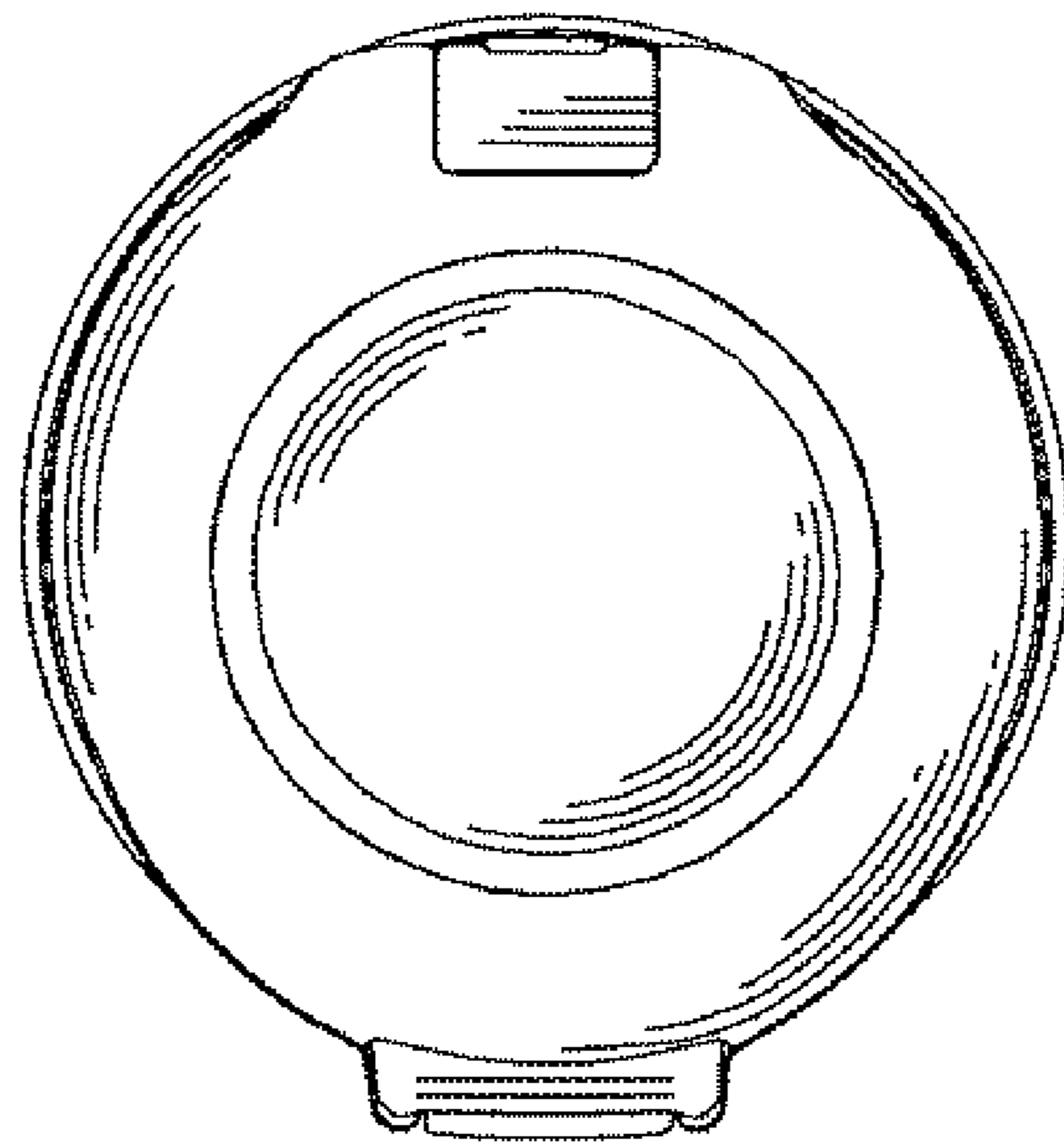


Fig. 7

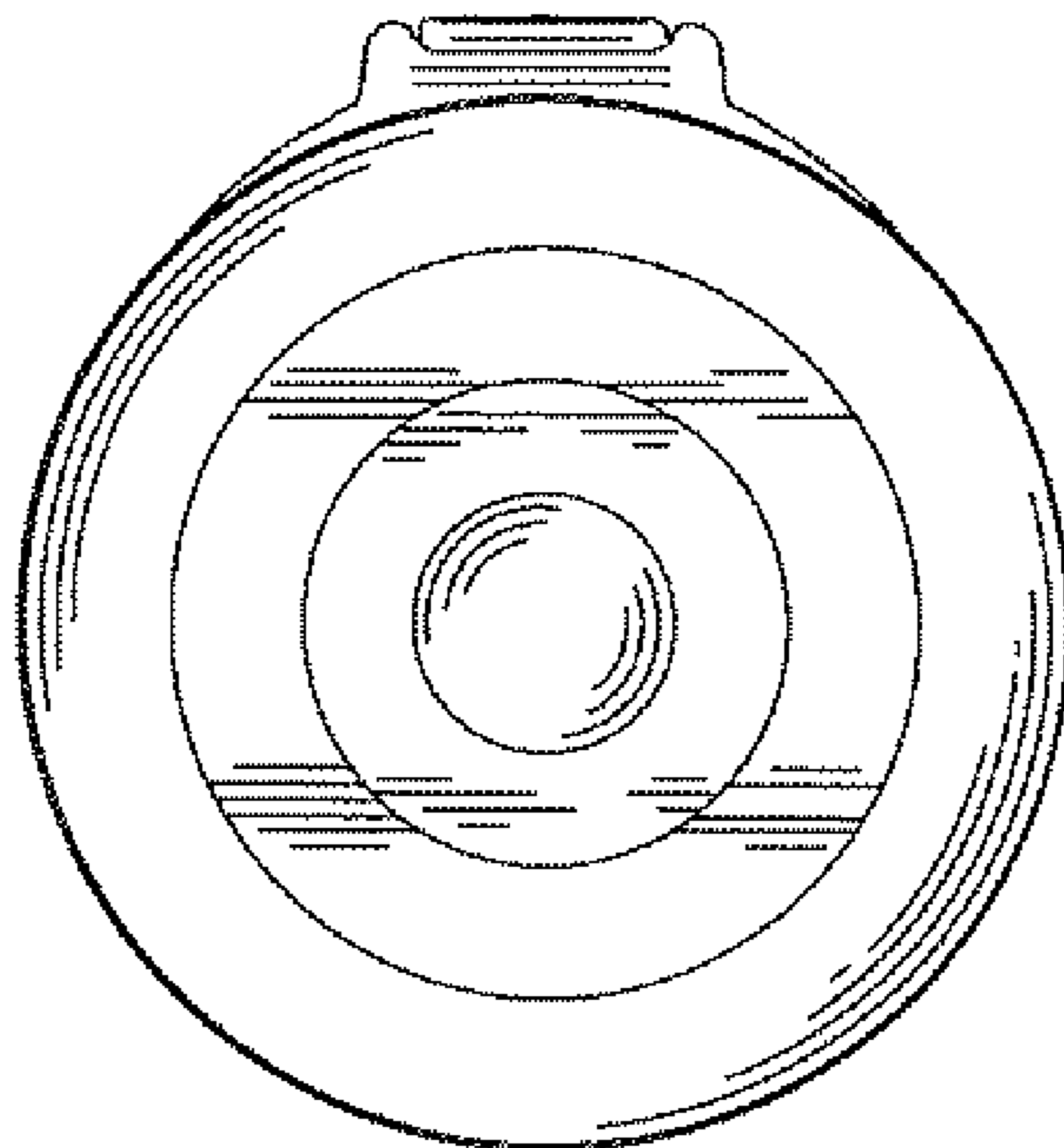


Fig. 8

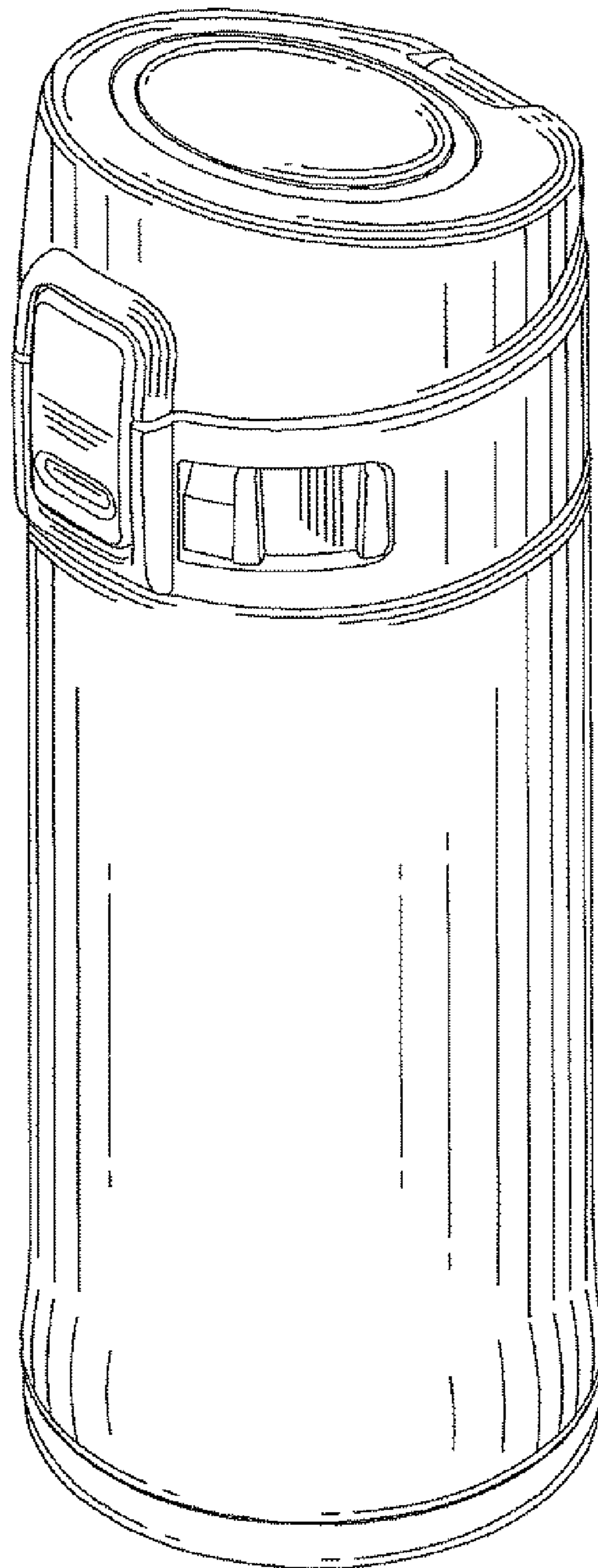


Fig. 9

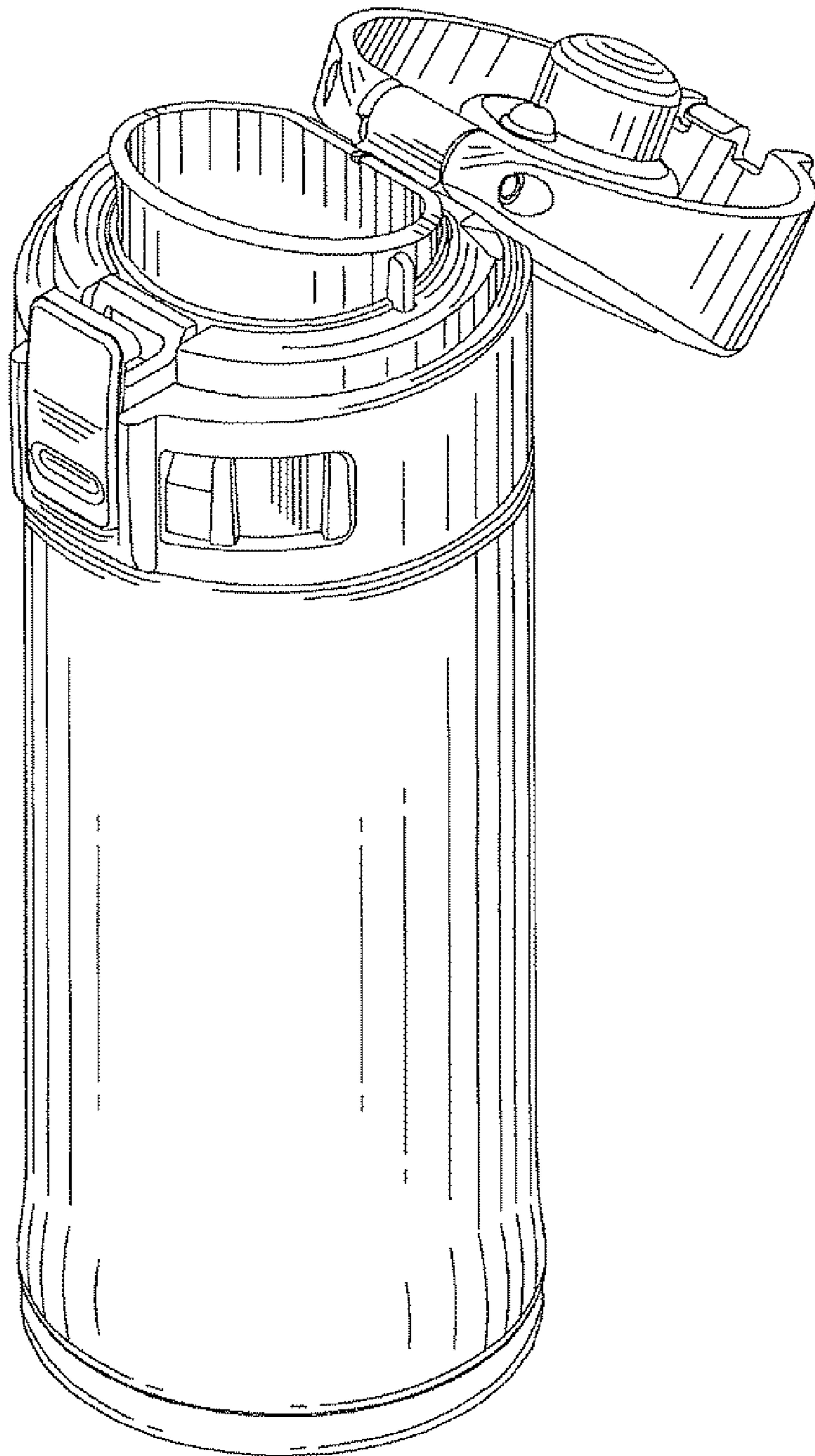


Fig. 10

