



US00D655579S

(12) **United States Design Patent**
Hassman et al.

(10) **Patent No.:** **US D655,579 S**
(45) **Date of Patent:** **** Mar. 13, 2012**

(54) **NON-WOVEN COOLER BAG WITH SPEAKER AND MP3 HOOKUP**

(75) Inventors: **Ellen Hassman**, Hollywood, FL (US);
Patty Luts, Hollywood, FL (US)

(73) Assignee: **Consumer Motivation Group, Inc.**,
New York, NY (US)

(**) Term: **14 Years**

(21) Appl. No.: **29/388,787**

(22) Filed: **Apr. 1, 2011**

(51) **LOC (9) Cl.** **07-01**

(52) **U.S. Cl.** **D7/607**

(58) **Field of Classification Search** D7/605,
D7/607, 709; D3/273, 274, 232, 240, 276;
62/457.1-457.9, 371, 372; 190/107; 383/40,
383/66, 81, 90, 2, 4, 6, 16, 121.1, 106, 110,
383/119; D14/168, 299

See application file for complete search history.

(56) **References Cited**

U.S. PATENT DOCUMENTS

5,403,095 A * 4/1995 Melk 383/110
5,472,279 A * 12/1995 Lin 383/2
D382,771 S * 8/1997 Mogil D7/607
D387,249 S * 12/1997 Mogil D7/607

D414,379 S * 9/1999 Haberkorn D7/607
6,068,402 A * 5/2000 Freese et al. 383/110
6,092,661 A * 7/2000 Mogil 206/579
6,247,328 B1 * 6/2001 Mogil 62/457.2
6,345,912 B1 * 2/2002 Ho 383/20
6,357,497 B1 * 3/2002 Frase 150/117
6,390,345 B1 * 5/2002 Brown et al. 224/578
D465,134 S * 11/2002 Joss D7/607
7,344,028 B2 * 3/2008 Hanson 206/545

* cited by examiner

Primary Examiner — Terry Wallace

(74) *Attorney, Agent, or Firm* — Robert M. Downey, PA

(57) **CLAIM**

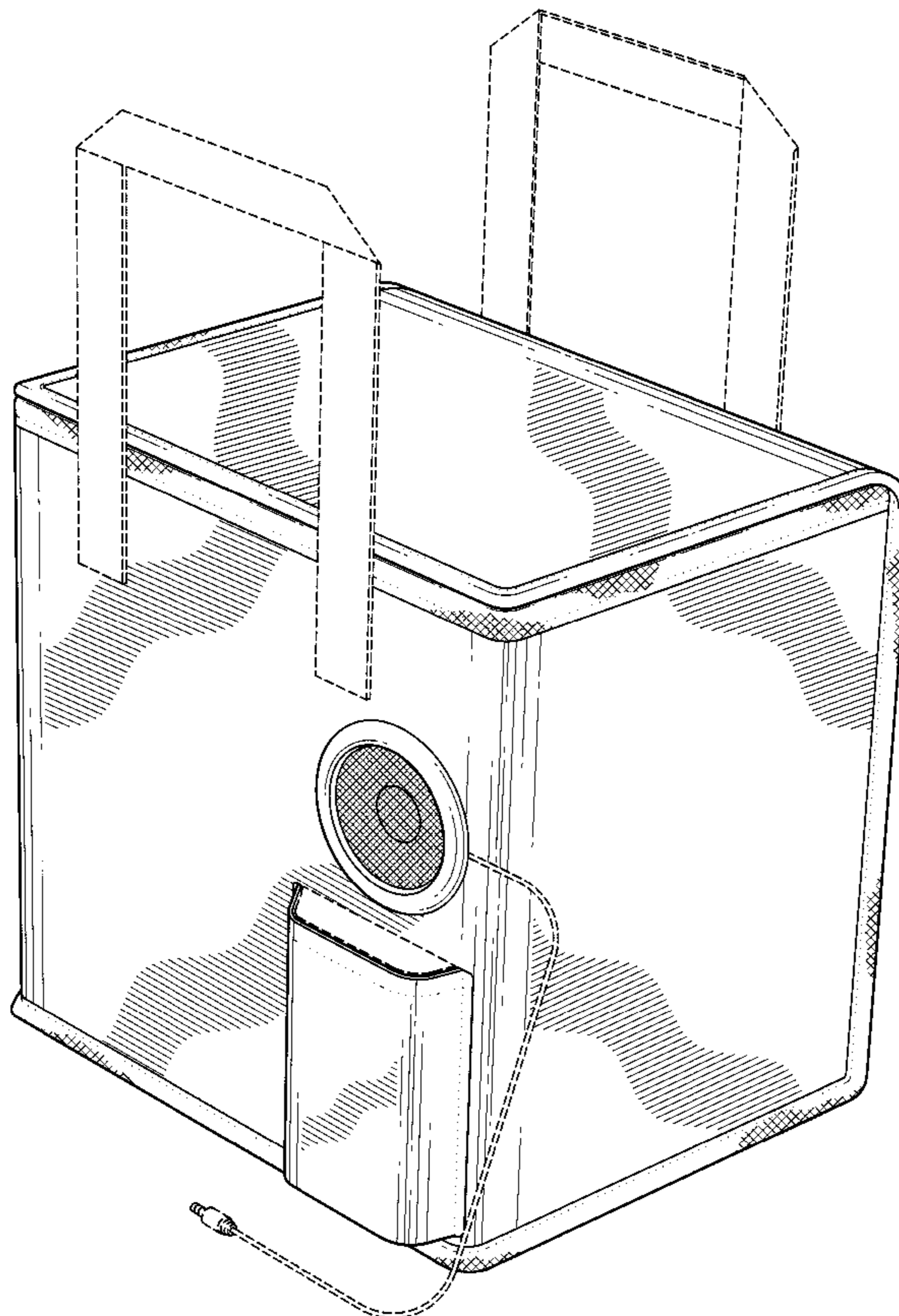
The ornamental design for a non-woven cooler bag with speaker and MP3 hookup, as shown and described.

DESCRIPTION

FIG. 1 is a front, top perspective view of a non-woven cooler bag with speaker and MP3 hookup showing our new design; FIG. 2 is a front elevational view thereof; FIG. 3 is a rear elevational view thereof; FIG. 4 is a right side elevational view thereof; FIG. 5 is a left side elevational view thereof; FIG. 6 is a top plan view thereof; and, FIG. 7 is a bottom plan view thereof.

The broken lines shown in FIGS. 1-7 are for illustrative purposes only and form no part of the claimed design.

1 Claim, 7 Drawing Sheets



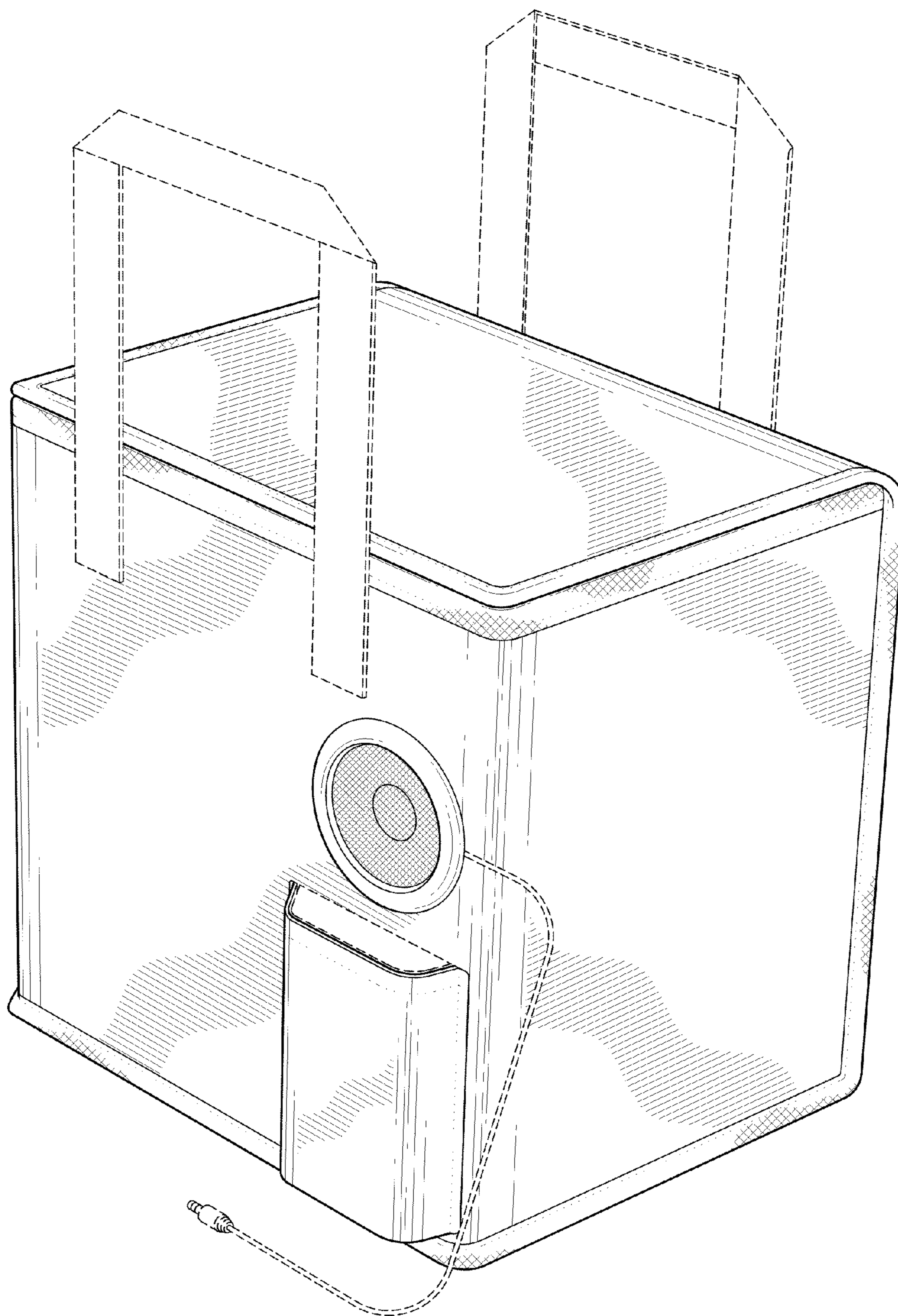


FIG. 1

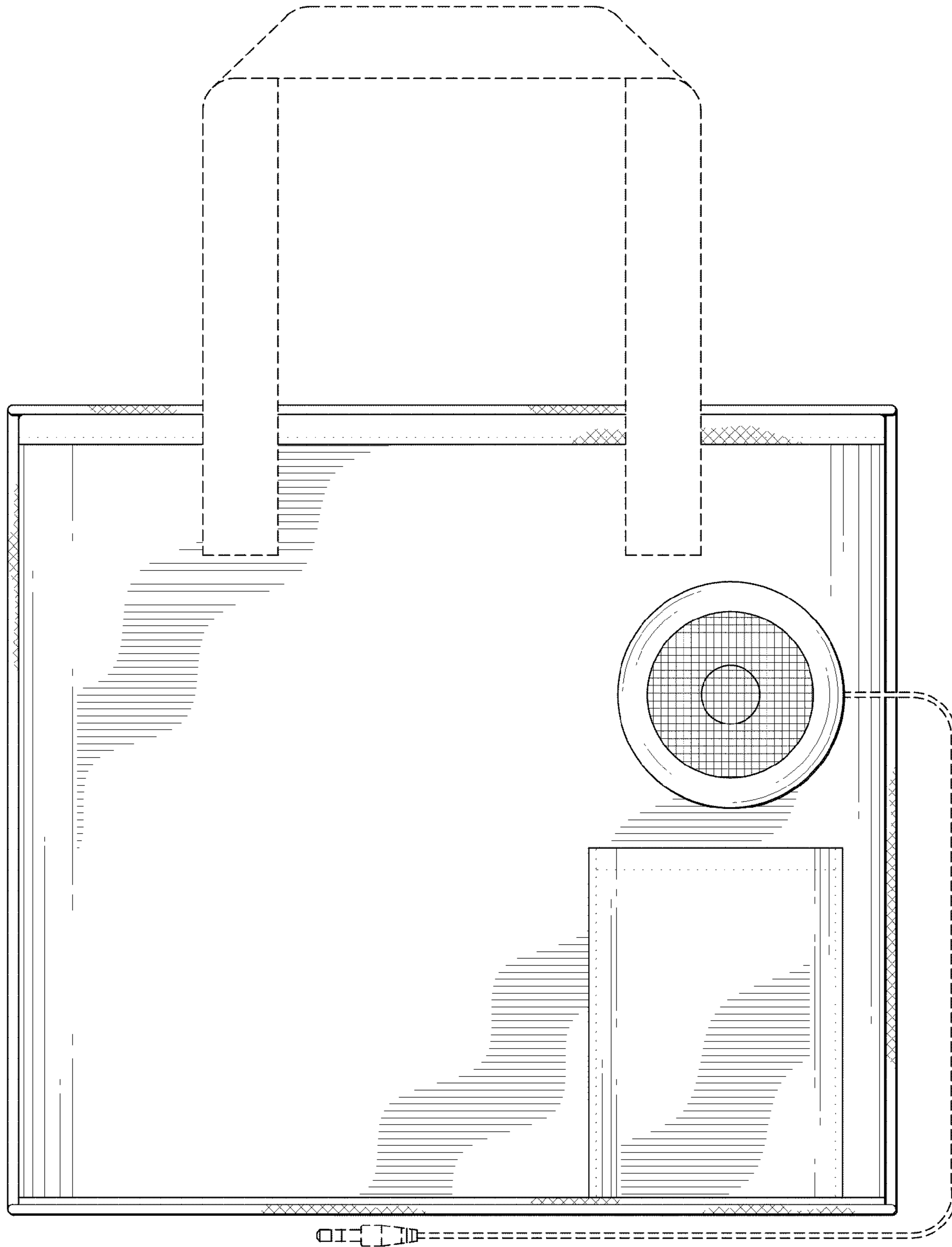


FIG. 2

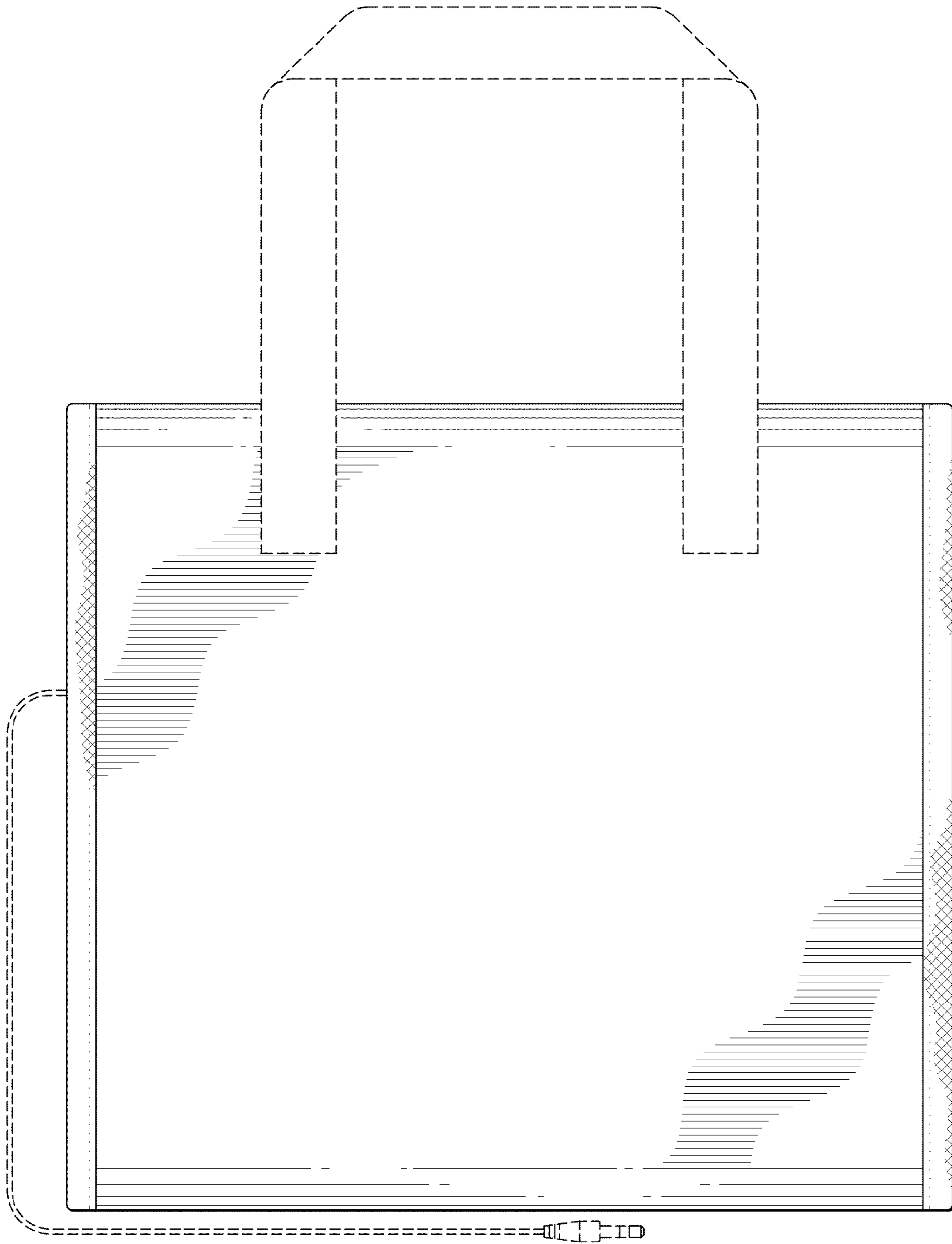


FIG. 3

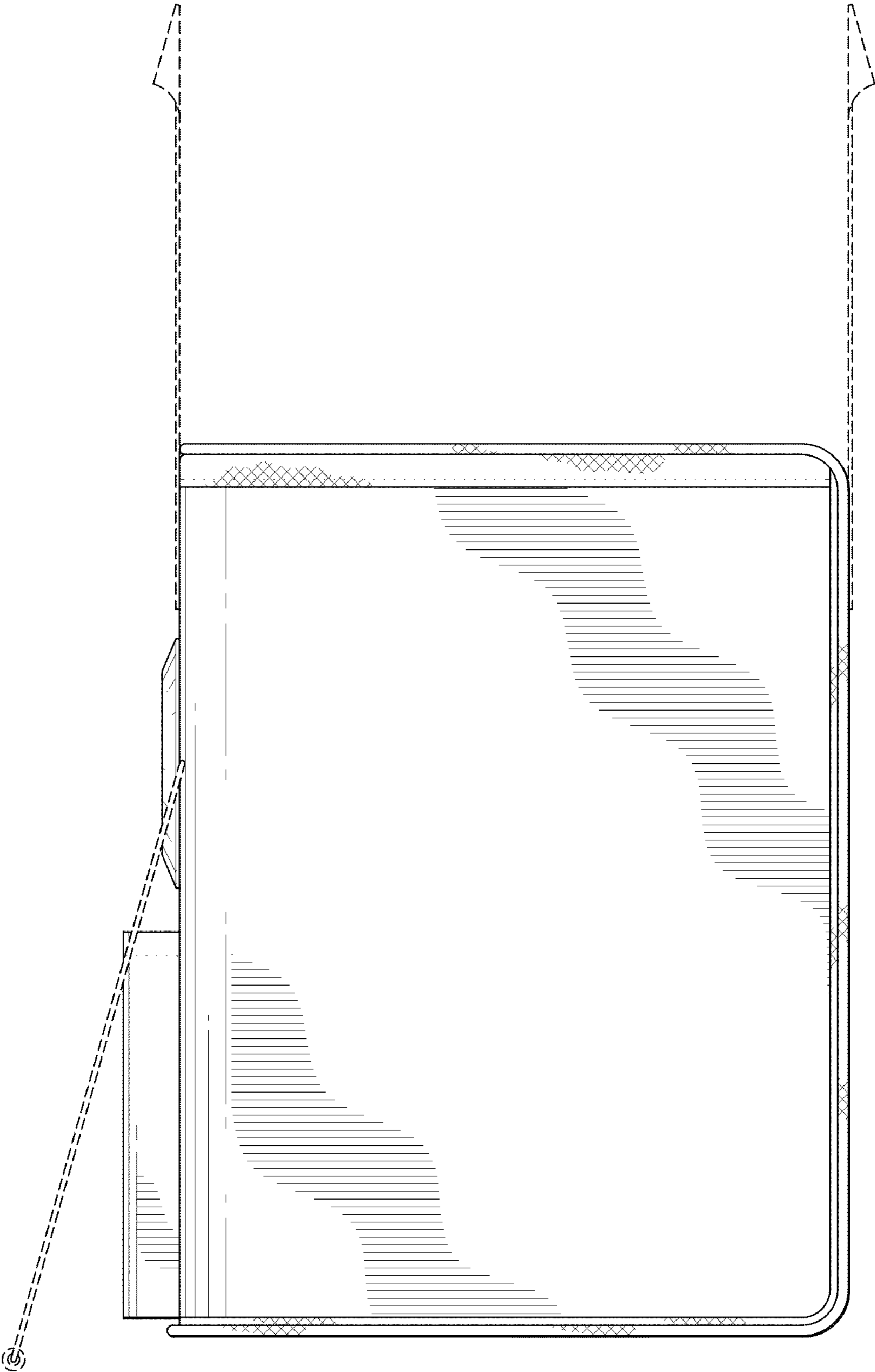


FIG. 4

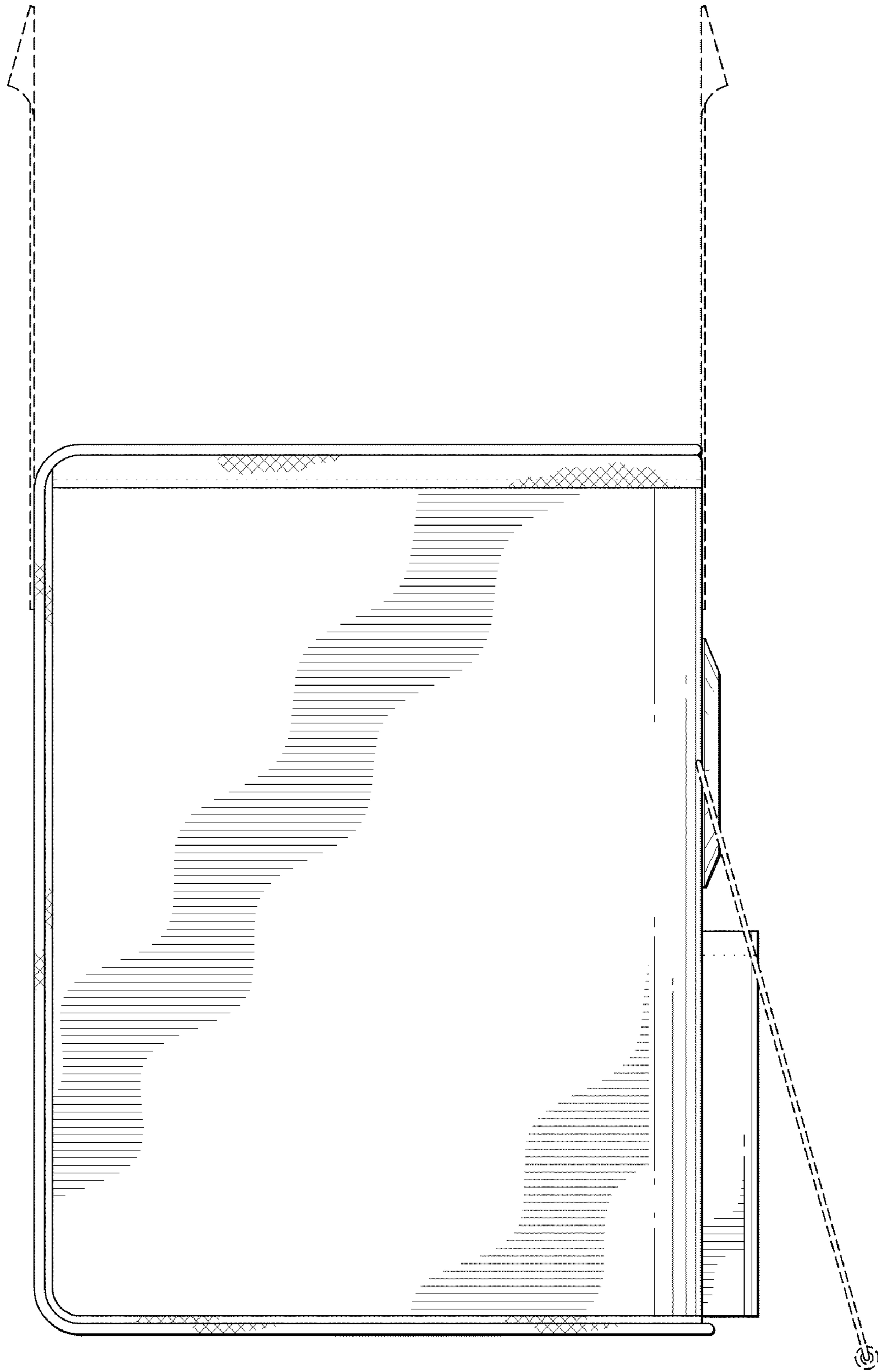


FIG. 5

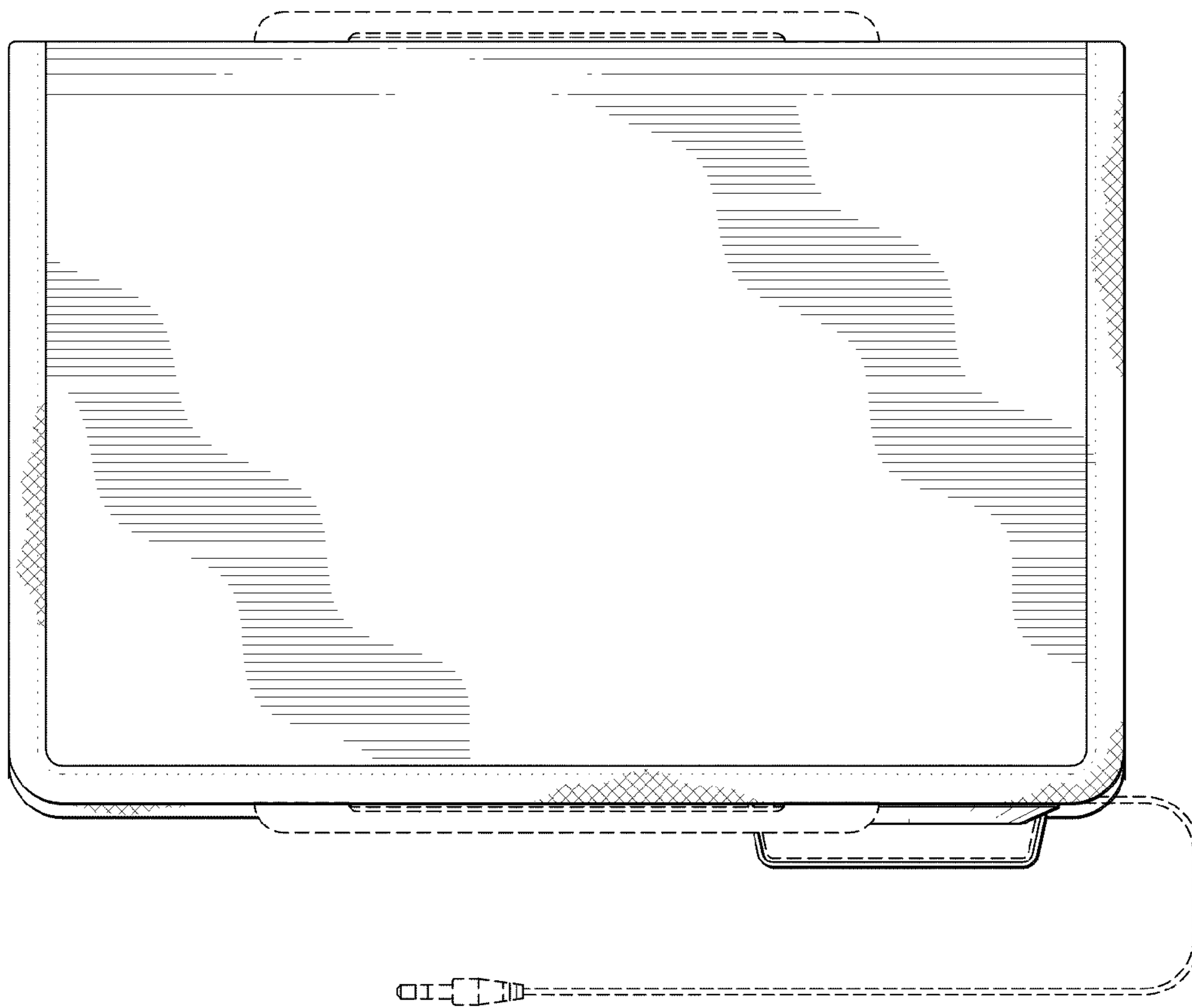


FIG. 6

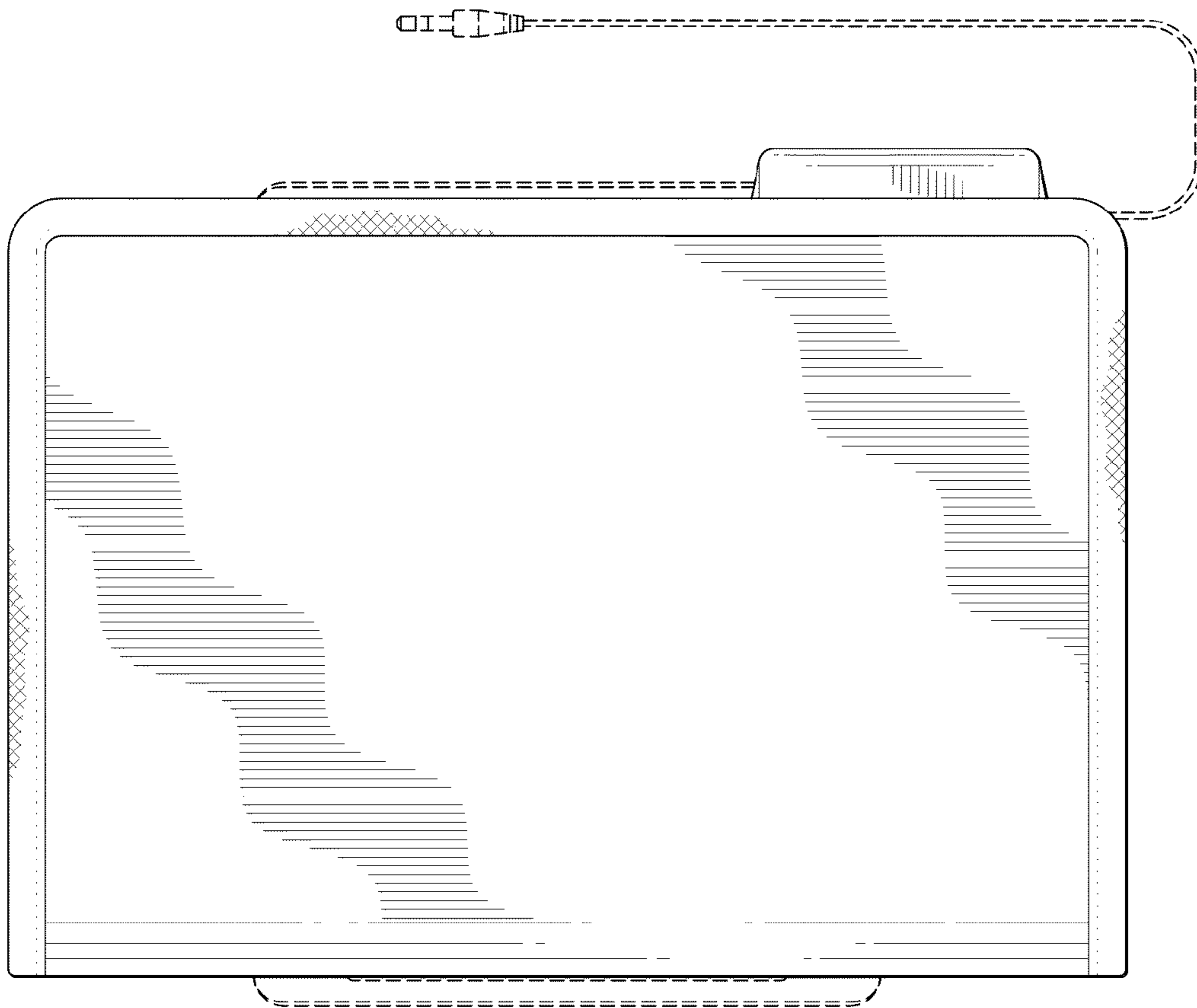


FIG. 7