



US00D655574S

(12) **United States Design Patent**
O'Connor

(10) **Patent No.:** **US D655,574 S**

(45) **Date of Patent:** **** Mar. 13, 2012**

(54) **SIDEWALL FOR A CUP**

(75) **Inventor:** **John D. O'Connor**, Griffith, IN (US)

(73) **Assignee:** **Pactiv LLC**, Lake Forest, IL (US)

(**) **Term:** **14 Years**

(21) **Appl. No.:** **29/391,890**

(22) **Filed:** **May 13, 2011**

(51) **LOC (9) Cl.** **07-01**

(52) **U.S. Cl.** **D7/532; D7/396.2; D7/509**

(58) **Field of Classification Search** D7/510,
D7/511, 500, 532, 900, 507, 509, 528, 396.2;
215/121, 382, 388, 387; 220/674, 715, 713,
220/718, 592.16, 592.17, 709, 708; D9/529,
D9/500, 539

See application file for complete search history.

(56) **References Cited**

U.S. PATENT DOCUMENTS

3,126,139	A *	3/1964	Schechter	229/403
D368,234	S *	3/1996	Dickinson et al.	D11/152
D448,976	S *	10/2001	McDonough et al.	D7/509
D471,064	S *	3/2003	Renz	D7/523
6,554,154	B1 *	4/2003	Chauhan et al.	220/671
D483,614	S *	12/2003	van de Wiel et al.	D7/532
D499,934	S *	12/2004	Smith et al.	D7/396.2
D570,159	S *	6/2008	McGill	D7/532

D612,202	S *	3/2010	Hillebrenner	D7/396.2
D617,144	S *	6/2010	O'Connor et al.	D7/396.2
D624,788	S *	10/2010	Koennecke	D7/509
D634,163	S *	3/2011	Holscher	D7/532
D635,399	S *	4/2011	DeVecchio	D7/523
D639,114	S *	6/2011	Swinford et al.	D7/532
2001/0050287	A1 *	12/2001	Namba et al.	220/592.17

OTHER PUBLICATIONS

U.S. Appl. No. 29/391,887, filed May 13, 2011.

* cited by examiner

Primary Examiner — Cynthia Underwood

(74) *Attorney, Agent, or Firm* — Baker Botts LLP

(57) **CLAIM**

The ornamental design for a sidewall for a cup, as shown and described.

DESCRIPTION

FIG. 1 is a perspective view of my design of a sidewall for a cup;

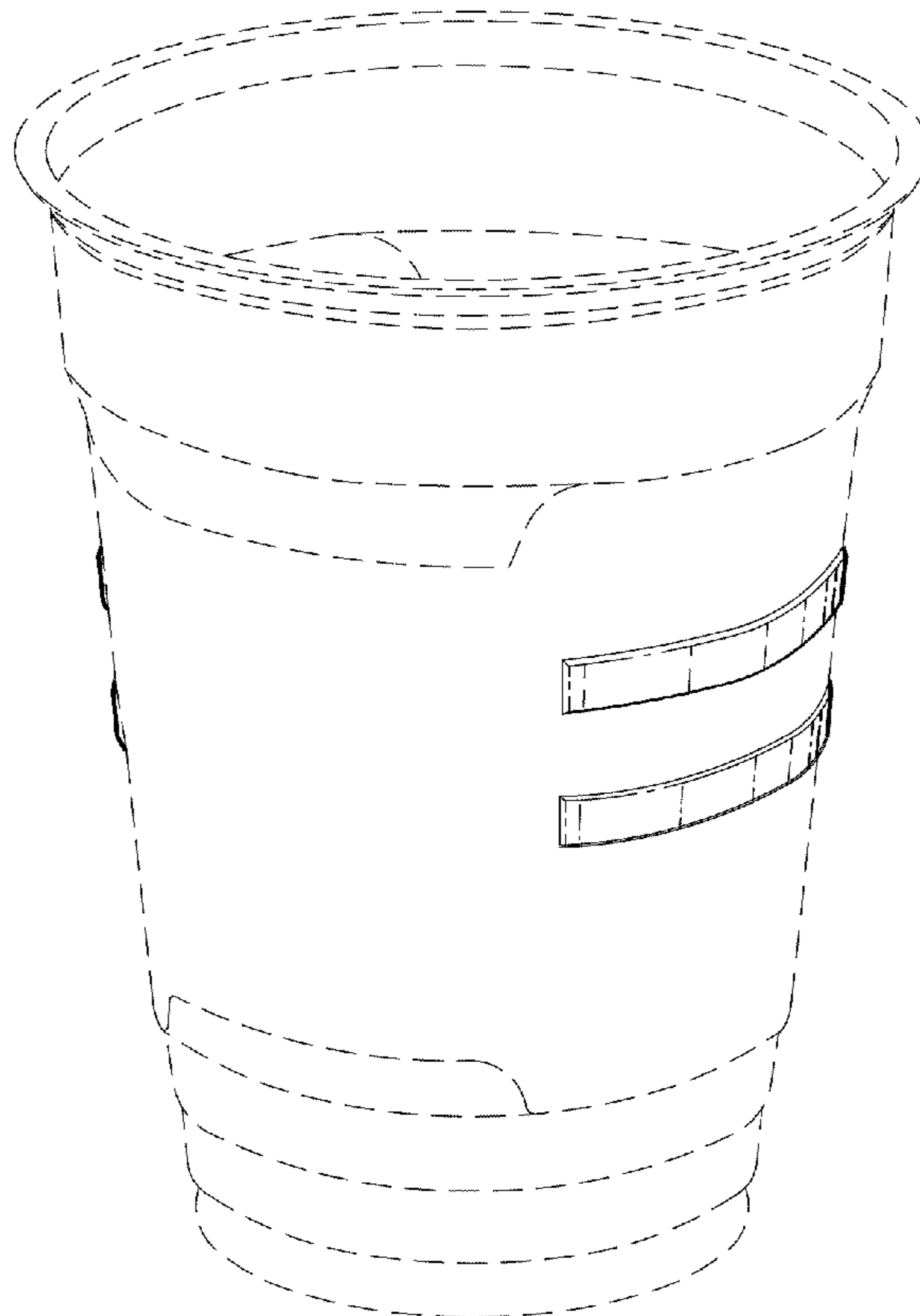
FIG. 2 is a front view of the sidewall for a cup of FIG. 1, the back view being identical to the front view;

FIG. 3 is a right side view of the sidewall for a cup of FIG. 1, the left side view being identical to the right side view;

FIG. 4 is a top view of the sidewall for a cup of FIG. 1; and, FIG. 5 is a bottom view of the sidewall for a cup of FIG. 1.

The broken lines shown in the Figures are included for the purpose of illustrating environmental structure of the cup and form no part of the claimed design.

1 Claim, 5 Drawing Sheets



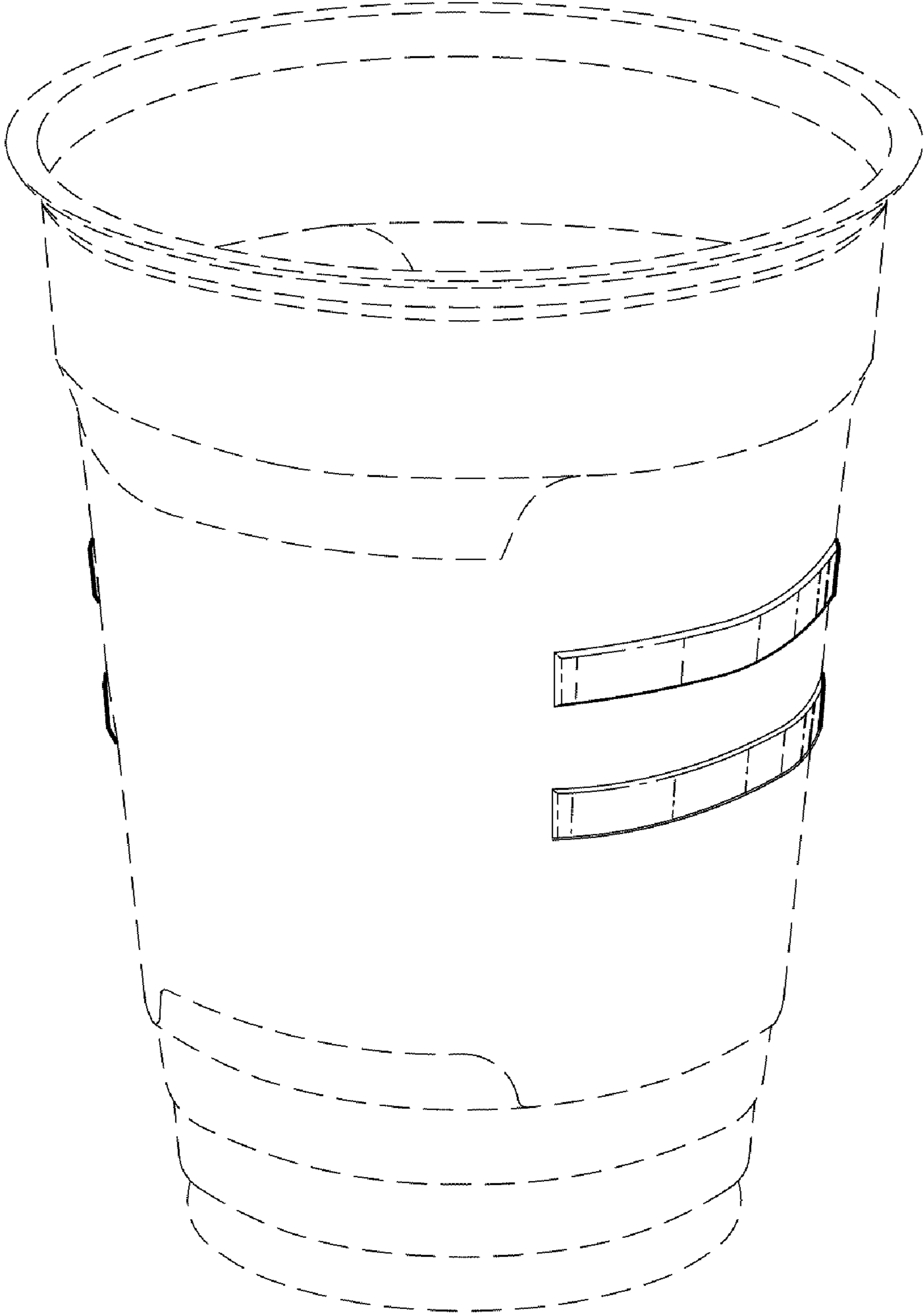


FIG. 1

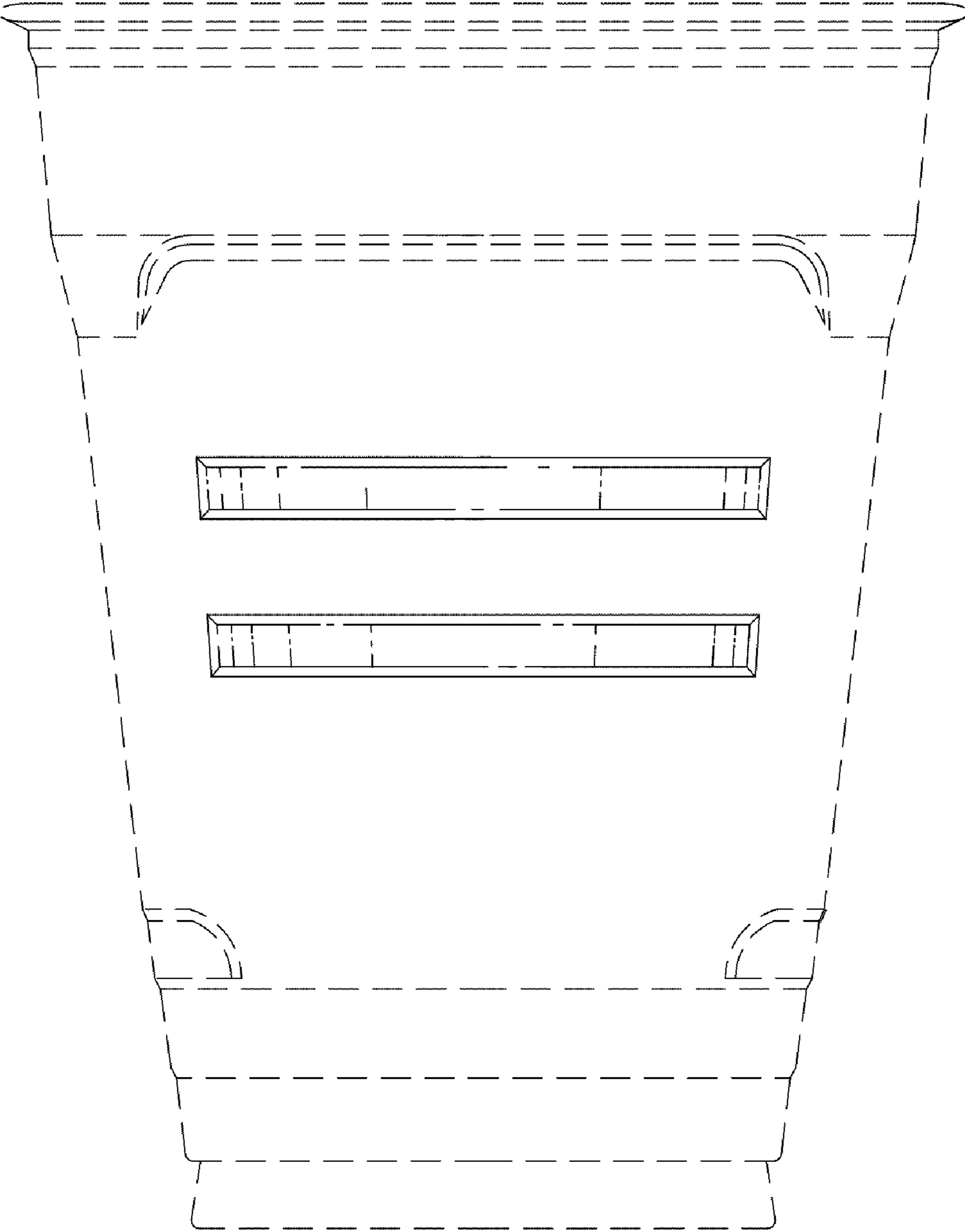


FIG. 2

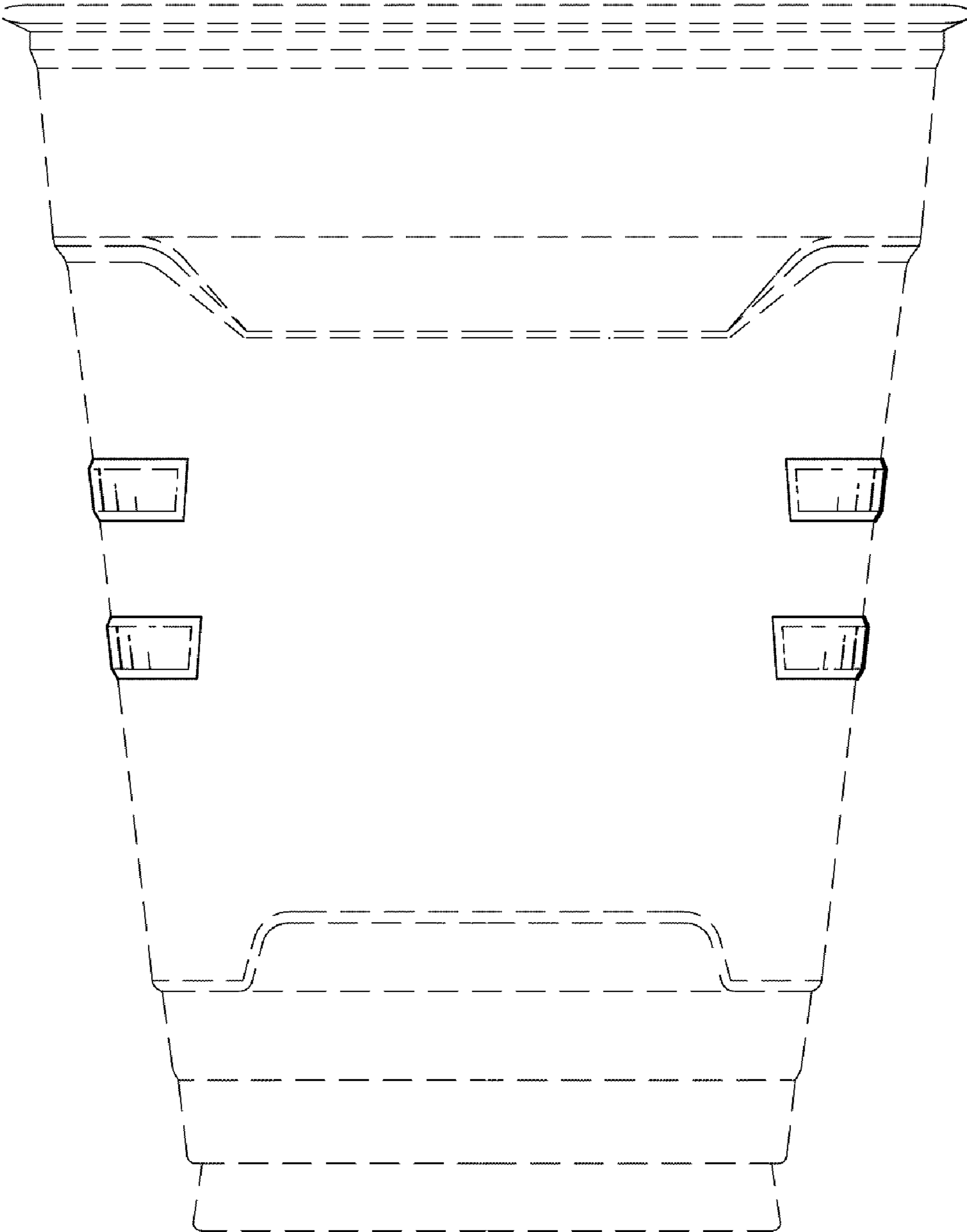


FIG. 3

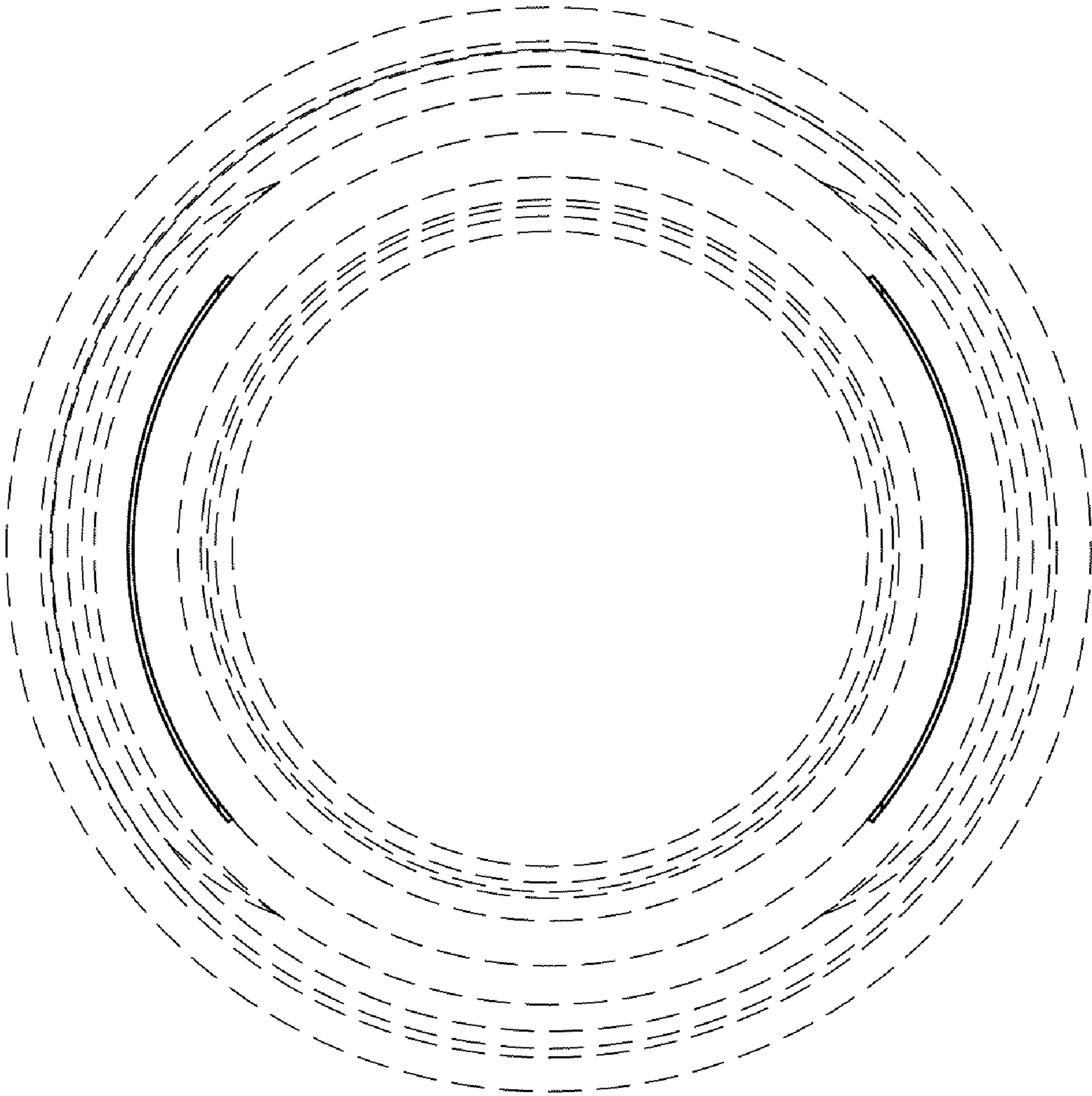


FIG. 4

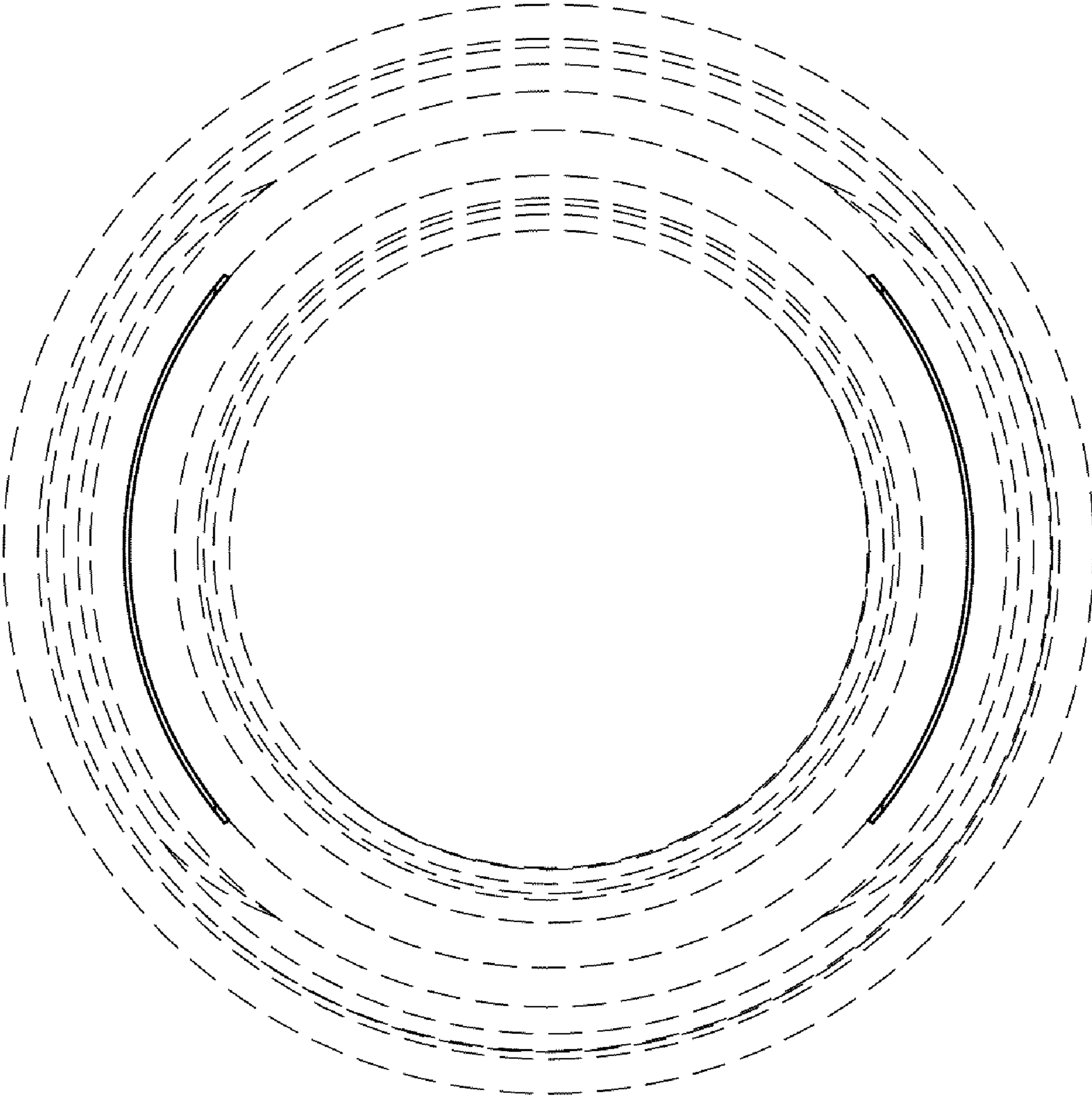


FIG. 5

UNITED STATES PATENT AND TRADEMARK OFFICE
CERTIFICATE OF CORRECTION

PATENT NO. : D655,574 S
APPLICATION NO. : 29/391890
DATED : March 13, 2012
INVENTOR(S) : John D. O'Connor

Page 1 of 1

It is certified that error appears in the above-identified patent and that said Letters Patent is hereby corrected as shown below:

ON THE TITLE PAGE:

--Item (73) Assignee: Pactiv LLC, Lake Forest, IL (US)

should read

--Item (73) Assignee: Reynolds Consumer Products Inc., Lake Forest, IL (US)

Signed and Sealed this
Twenty-fourth Day of July, 2012

A handwritten signature in black ink that reads "David J. Kappos". The signature is written in a cursive style with a large initial "D".

David J. Kappos
Director of the United States Patent and Trademark Office