



US00D655570S

(12) **United States Design Patent**
Meehan

(10) **Patent No.:** **US D655,570 S**
(45) **Date of Patent:** **** Mar. 13, 2012**

- (54) **BEVERAGE MUG**
- (75) Inventor: **Brian G. Meehan**, Fairfield, CT (US)
- (73) Assignee: **TimeMug, LLC**, Spring Valley, NY (US)
- (**) Term: **14 Years**
- (21) Appl. No.: **29/366,093**
- (22) Filed: **Jul. 20, 2010**
- (51) **LOC (9) Cl.** **07-01**
- (52) **U.S. Cl.** **D7/510; D7/511**
- (58) **Field of Classification Search** **D7/510, D7/511, 509, 523; 220/703, 592.16, 592.17**
See application file for complete search history.

(56) **References Cited**

U.S. PATENT DOCUMENTS

2,399,040 A 4/1946 Karle
(Continued)

FOREIGN PATENT DOCUMENTS

WO 2006101728 A2 9/2006
(Continued)

Primary Examiner — Marianne Pandozzi

(74) *Attorney, Agent, or Firm* — Wood, Herron & Evans, LLP

(57) **CLAIM**

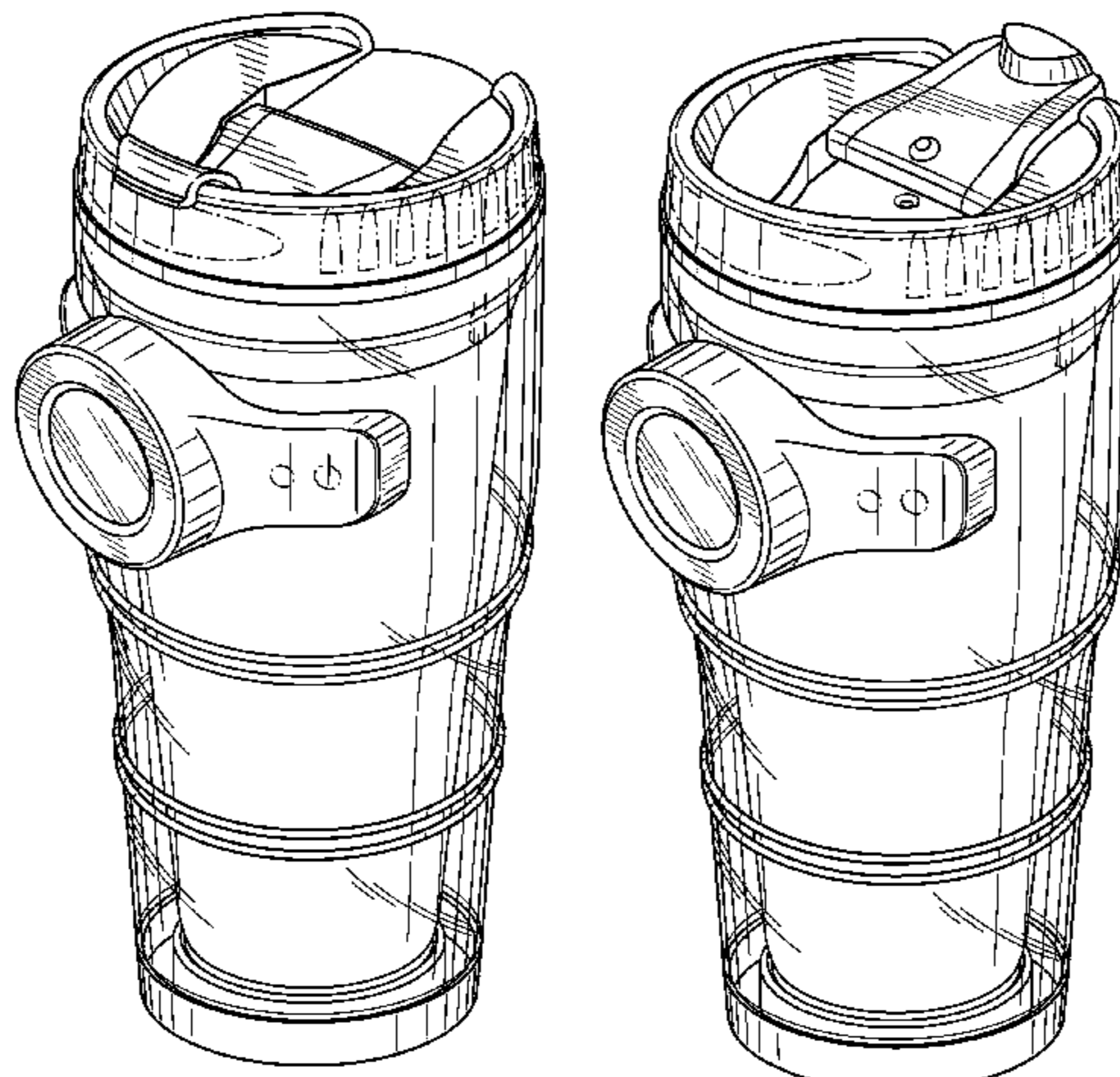
The ornamental design for a beverage mug, as shown and described.

DESCRIPTION

FIG. 1 is an isometric view of a beverage mug showing my new design with environment on the closure and mug shown in broken lines, depicting the closure in a closed position;
 FIG. 2 is an isometric view of the beverage mug shown in FIG. 1, with environment on the closure and mug removed;
 FIG. 3 is a front view of the beverage mug shown in FIG. 1, with environment on the closure and mug shown in broken lines;
 FIG. 4 is a front view of the beverage mug shown in FIG. 3, with environment on the closure and mug removed;
 FIG. 5 is a right side view of the beverage mug shown in FIG. 1, with environment on the closure and mug shown in broken lines;

FIG. 6 is a right side view of the beverage mug shown in FIG. 5, with environment on the closure and mug removed;
 FIG. 7 is a cross-sectional view taken along line 7-7 of FIG. 4;
 FIG. 8 is a rear view of the beverage mug shown in FIG. 1, with environment of the closure shown in broken lines;
 FIG. 9 is a rear view of the beverage mug shown in FIG. 8, with environment on the closure removed;
 FIG. 10 is a left side view of the beverage mug shown in FIG. 1, with environment of the closure and mug shown in broken lines;
 FIG. 11 is a left side view of the beverage mug shown in FIG. 10, with environment on the closure and mug removed;
 FIG. 12 is a top view of the beverage mug shown in FIG. 1;
 FIG. 13 is a bottom view of the beverage mug shown in FIG. 1;
 FIG. 14 is an isometric view of the beverage mug with environment on the closure and mug shown in broken lines, depicting the closure in an open alternate position;
 FIG. 15 is an isometric view of the beverage mug shown in FIG. 14, with environment on the closure and mug removed;
 FIG. 16 is a front view of the beverage mug shown in FIG. 14, with environment on the closure and mug shown in broken lines;
 FIG. 17 is a front view of the beverage mug shown in FIG. 16, with environment on the closure and mug removed;
 FIG. 18 is a right side view of the beverage mug shown in FIG. 14, with environment on the closure and mug shown in broken lines;
 FIG. 19 is a right side view of the beverage mug shown in FIG. 18, with environment on the closure and mug removed;
 FIG. 20 is a cross-sectional view taken along line 20-20 of FIG. 17;
 FIG. 21 is a rear view of the beverage mug shown in FIG. 14, with environment of the closure shown in broken lines;
 FIG. 22 is a rear view of the beverage mug shown in FIG. 21, with environment on the closure removed;
 FIG. 23 is a left side view of the beverage mug shown in FIG. 14, with environment of the closure and mug shown in broken lines;
 FIG. 24 is a left side view of the beverage mug shown in FIG. 23, with environment on the closure and mug removed;
 FIG. 25 is a top view of the beverage mug shown in FIG. 14; and
 FIG. 26 is a bottom view of the beverage mug shown in FIG. 14.
 The features of the beverage mug shown in broken lines are for illustrative purposes only and form no part of the claimed design.

1 Claim, 24 Drawing Sheets



US D655,570 S

Page 2

U.S. PATENT DOCUMENTS

4,293,015 A 10/1981 McGough
5,456,380 A 10/1995 Ito et al.
5,678,925 A 10/1997 Garmaise et al.
5,839,599 A 11/1998 Lin
6,216,376 B1 4/2001 Alvern
6,467,644 B1 10/2002 Yeh
D471,764 S * 3/2003 Janky D7/510
D494,010 S * 8/2004 Yuen D7/511
6,793,075 B1 9/2004 Jeter
D523,692 S * 6/2006 Meehan D7/507
D542,093 S 5/2007 Meehan
D544,301 S * 6/2007 Tien D7/510
D548,524 S 8/2007 Meehan
D551,022 S * 9/2007 Meehan D7/510

D560,435 S 1/2008 Meehan
D572,531 S * 7/2008 Romandy et al. D7/510
D580,226 S * 11/2008 Homma D7/510
D587,969 S * 3/2009 Gilbert D7/510
D598,242 S * 8/2009 Kuser D7/507
D602,741 S * 10/2009 Xiurong et al. D7/510
7,878,365 B1 * 2/2011 Meehan 220/737
2002/0144914 A1 10/2002 Woskoski
2004/0035875 A1 2/2004 Pollack
2004/0108237 A1 6/2004 McClintock
2006/0207907 A1 9/2006 Meehan

FOREIGN PATENT DOCUMENTS

WO 2006101728 A3 9/2006

* cited by examiner

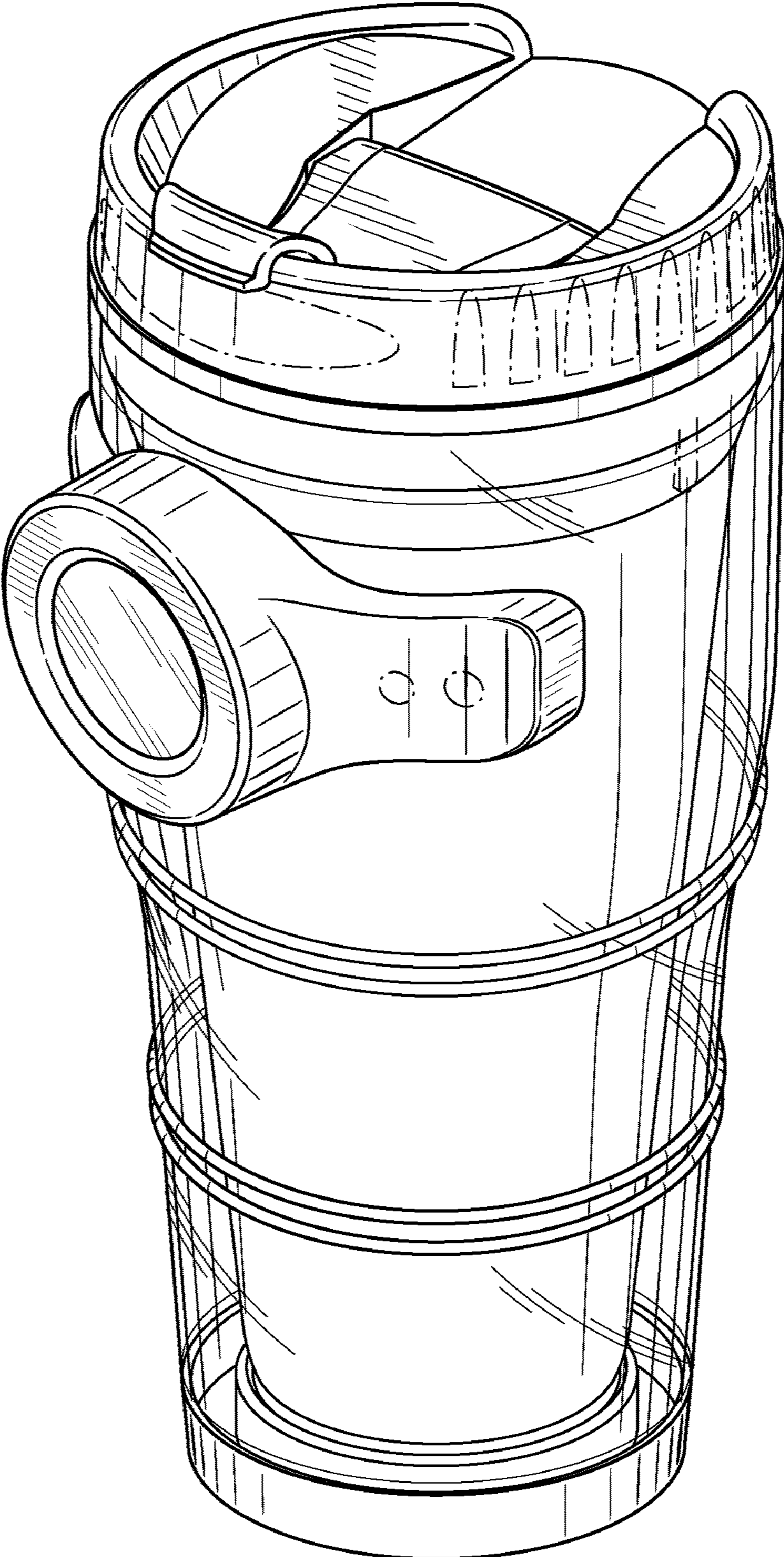


FIG. 1

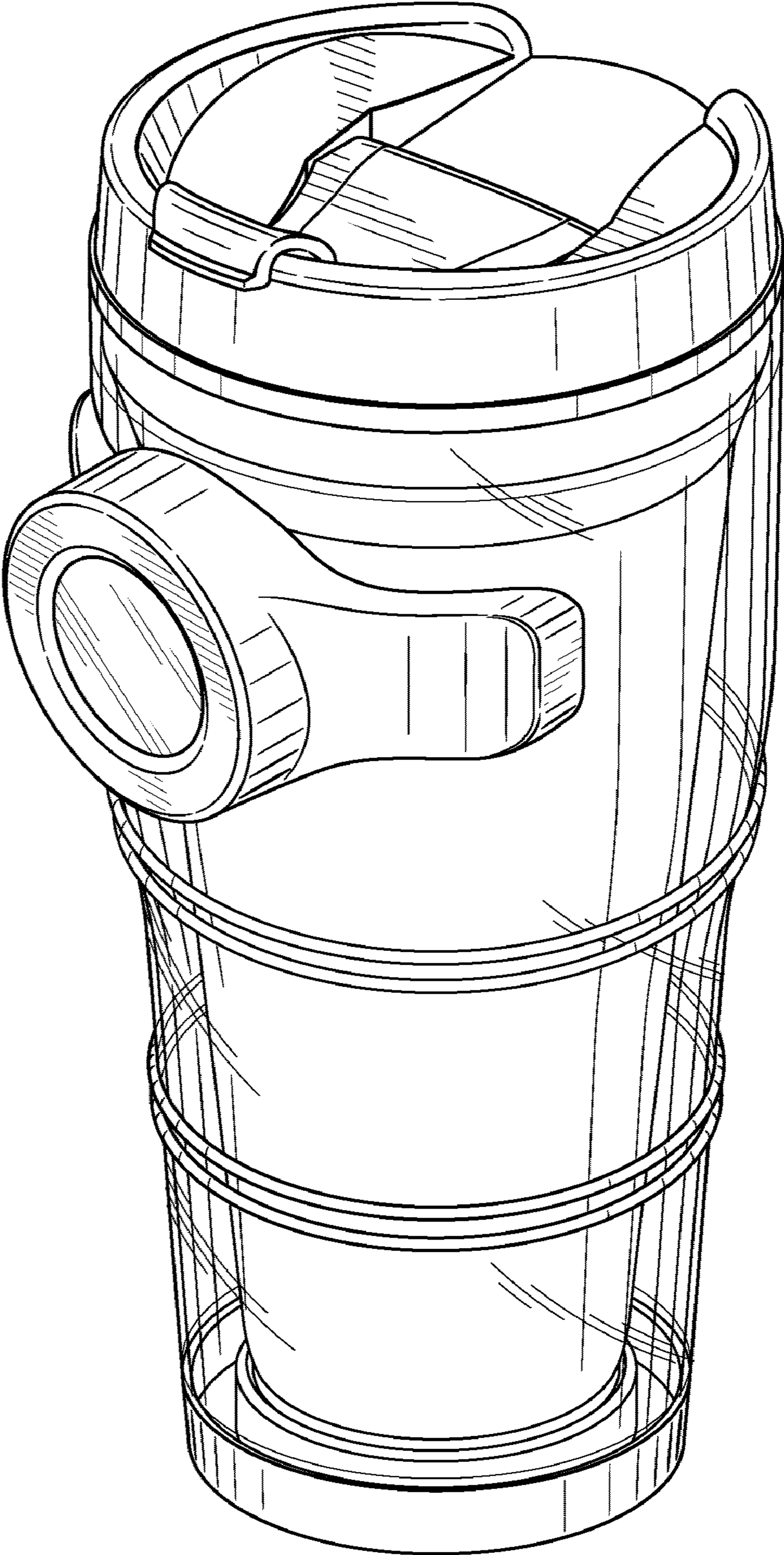


FIG. 2

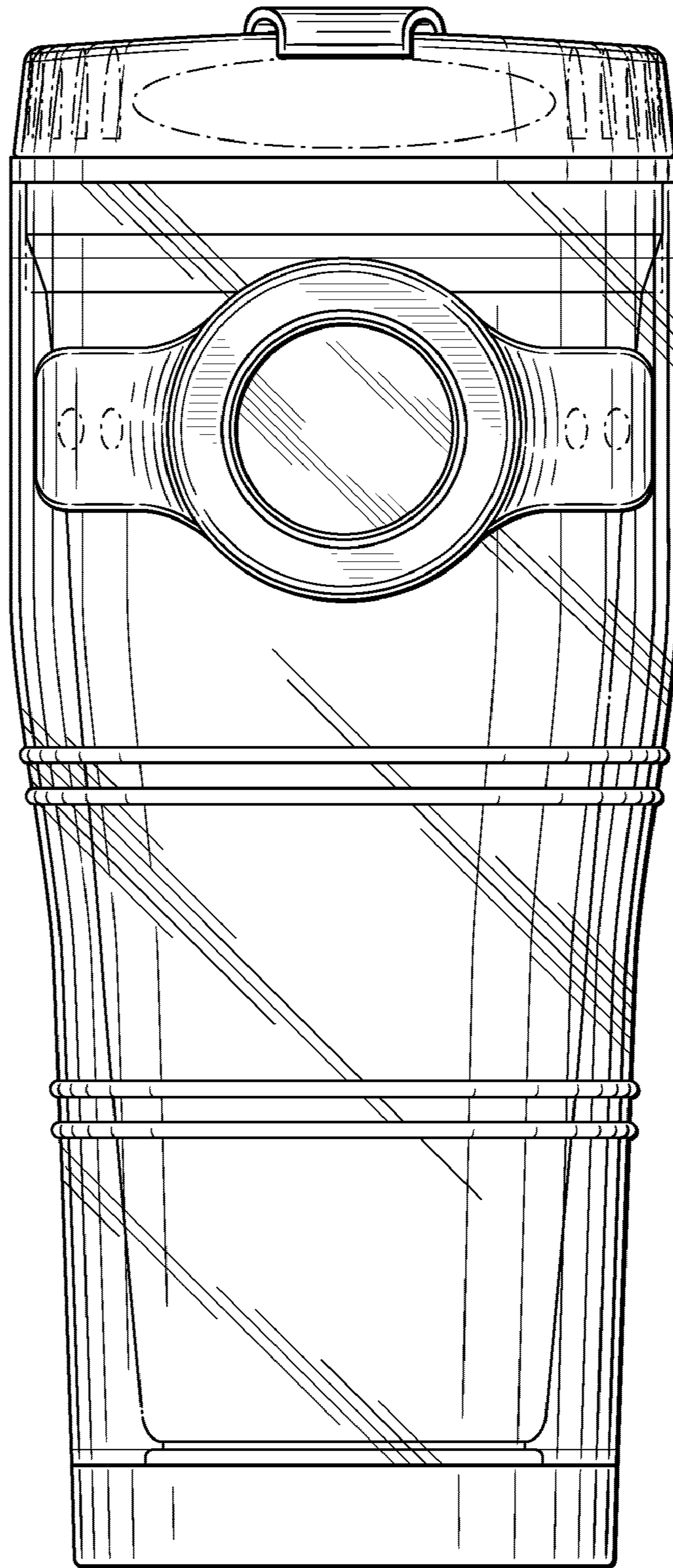


FIG. 3

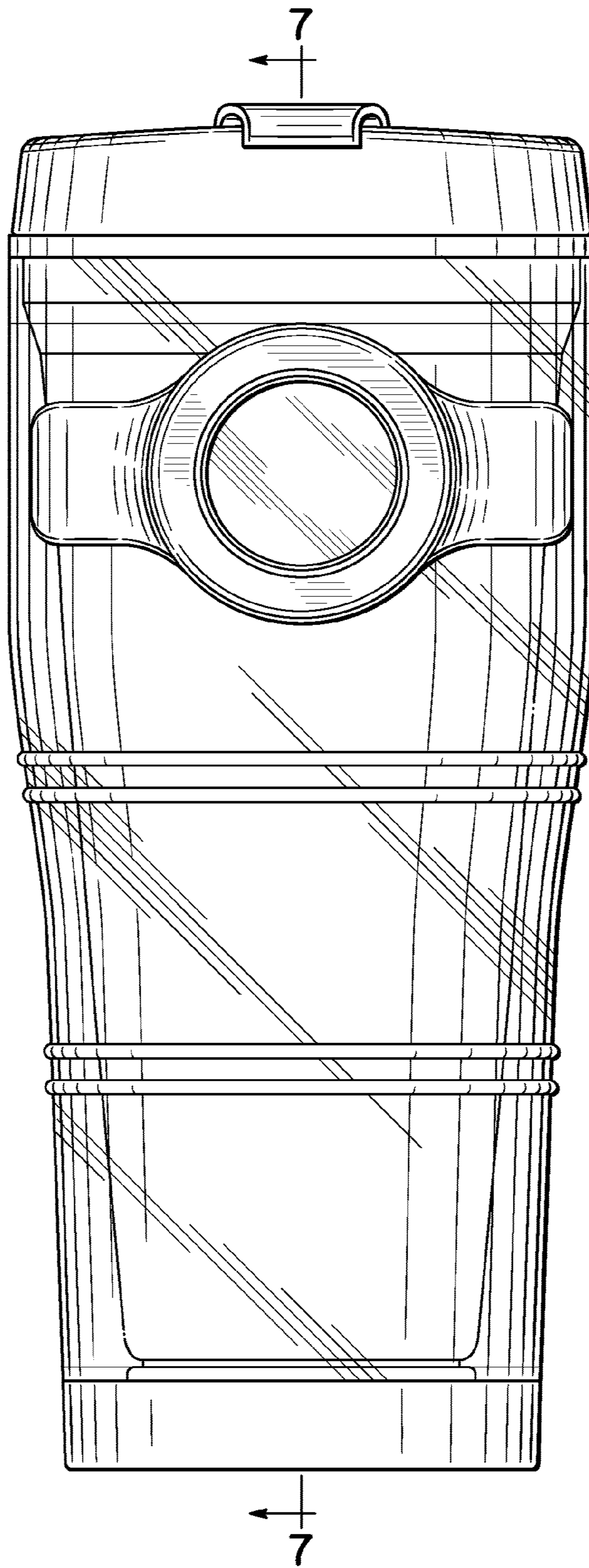


FIG. 4

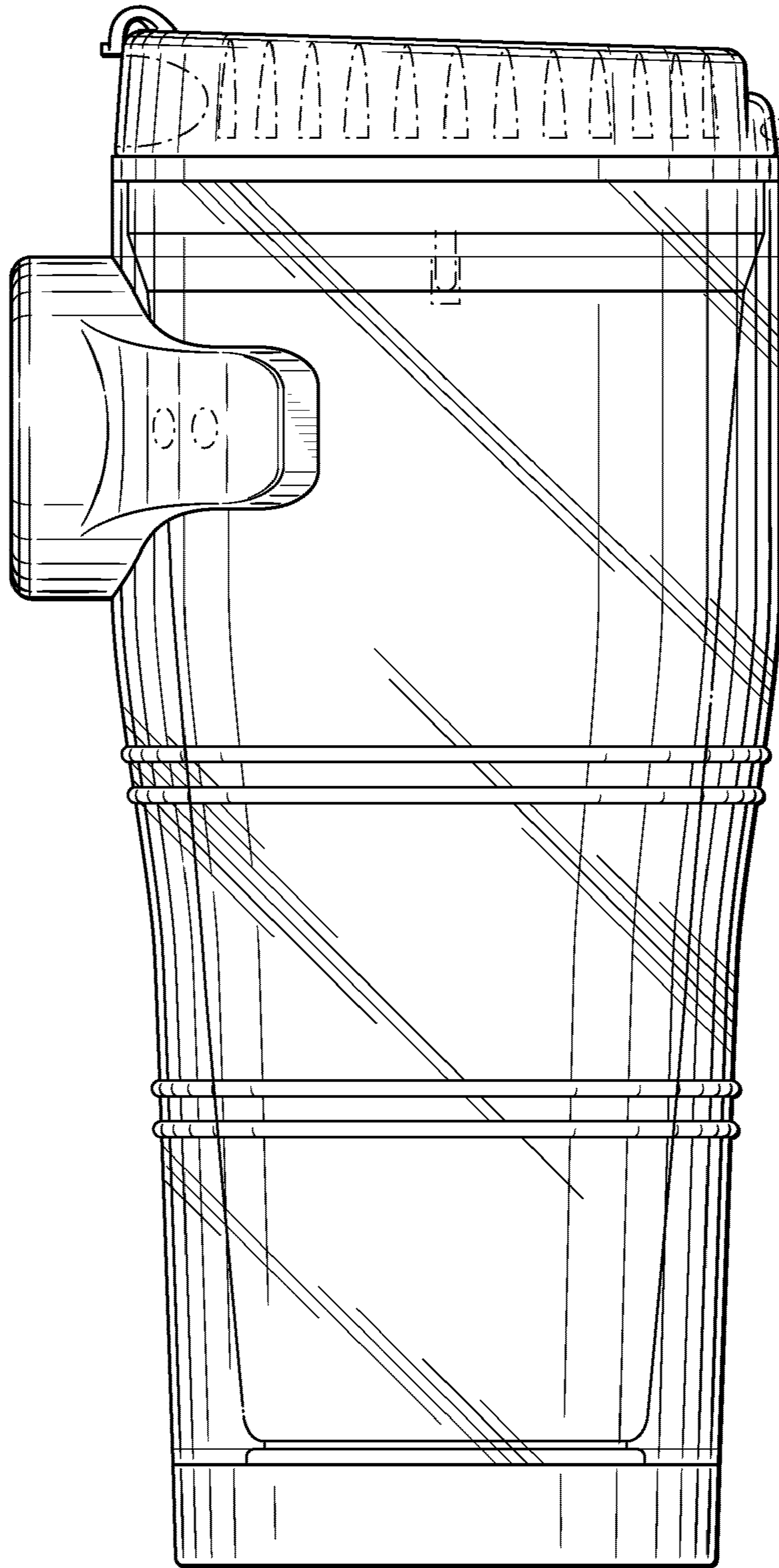


FIG. 5

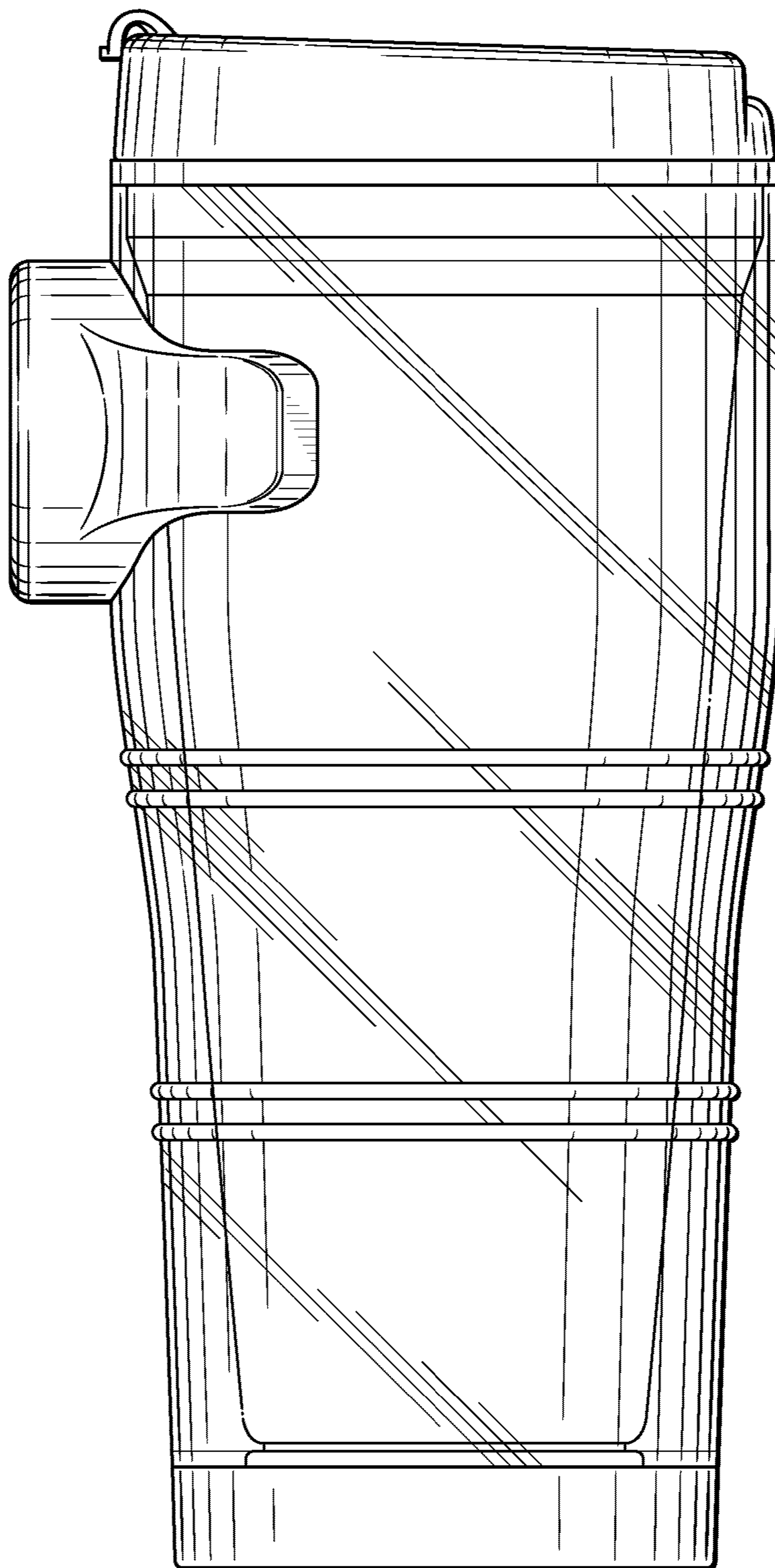


FIG. 6

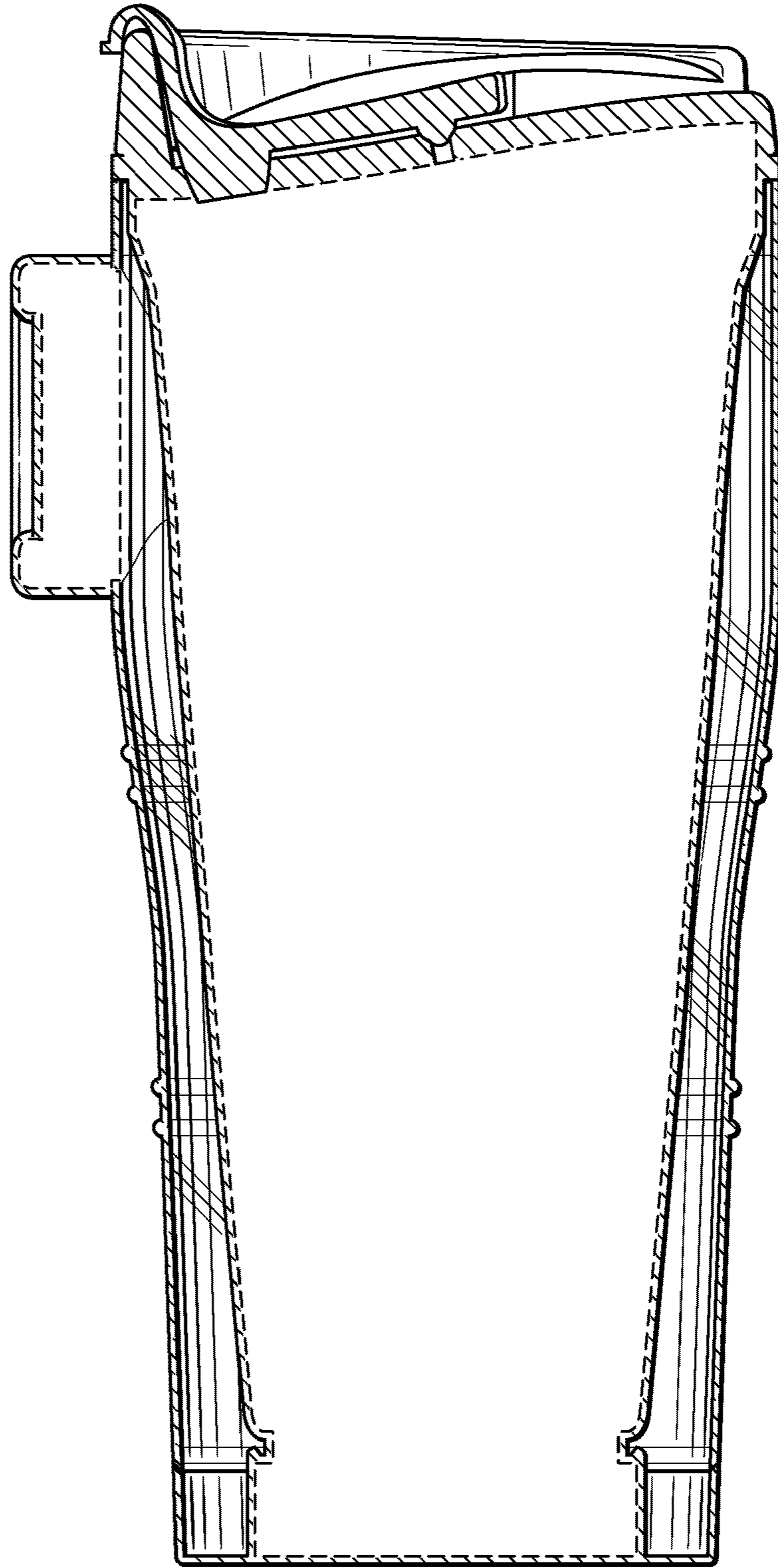


FIG. 7

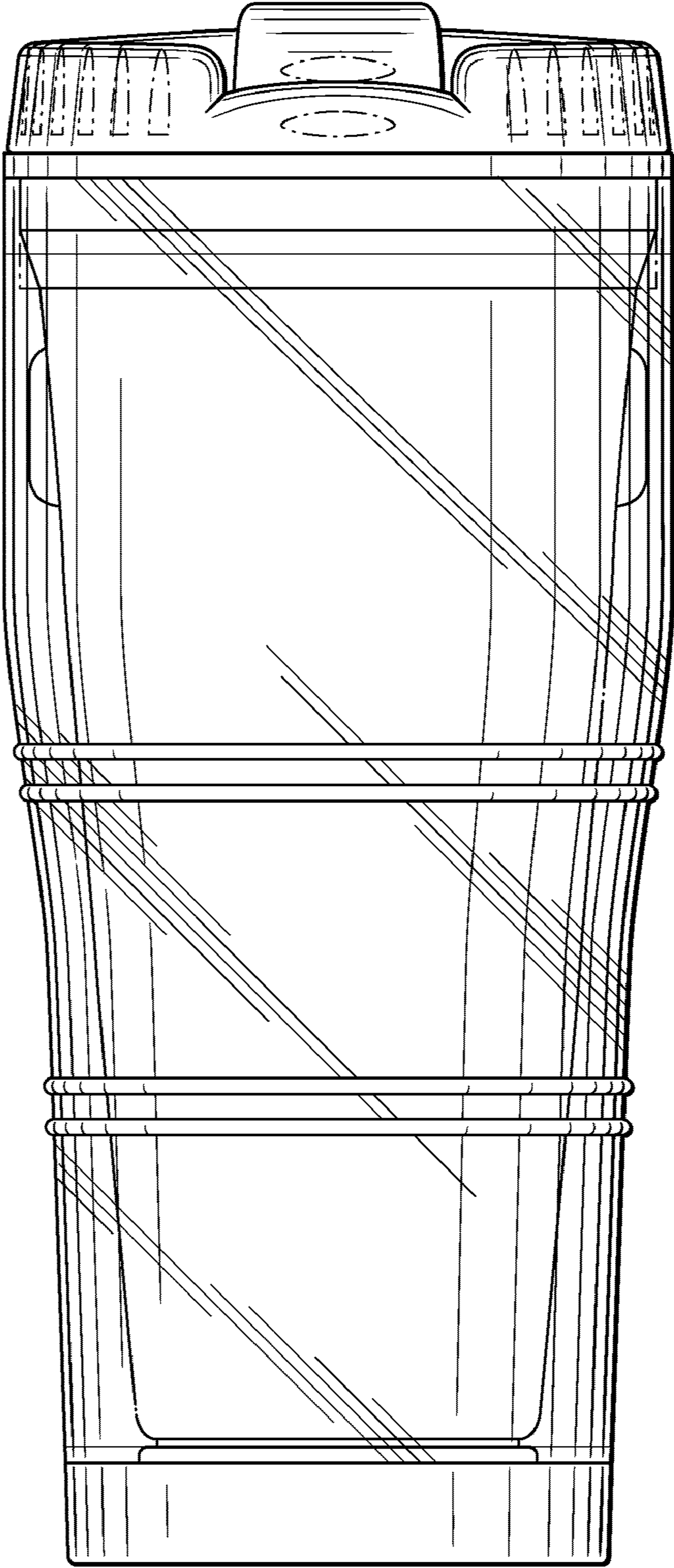


FIG. 8

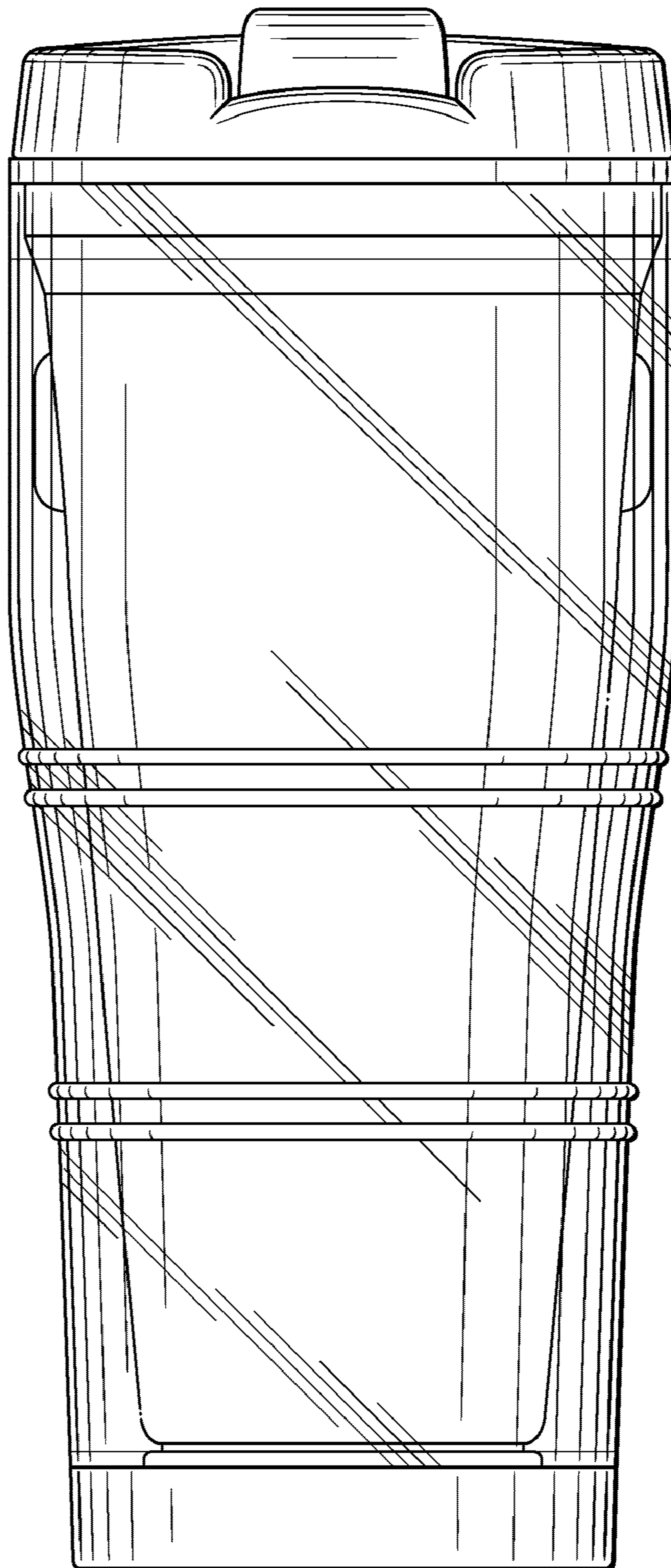


FIG. 9

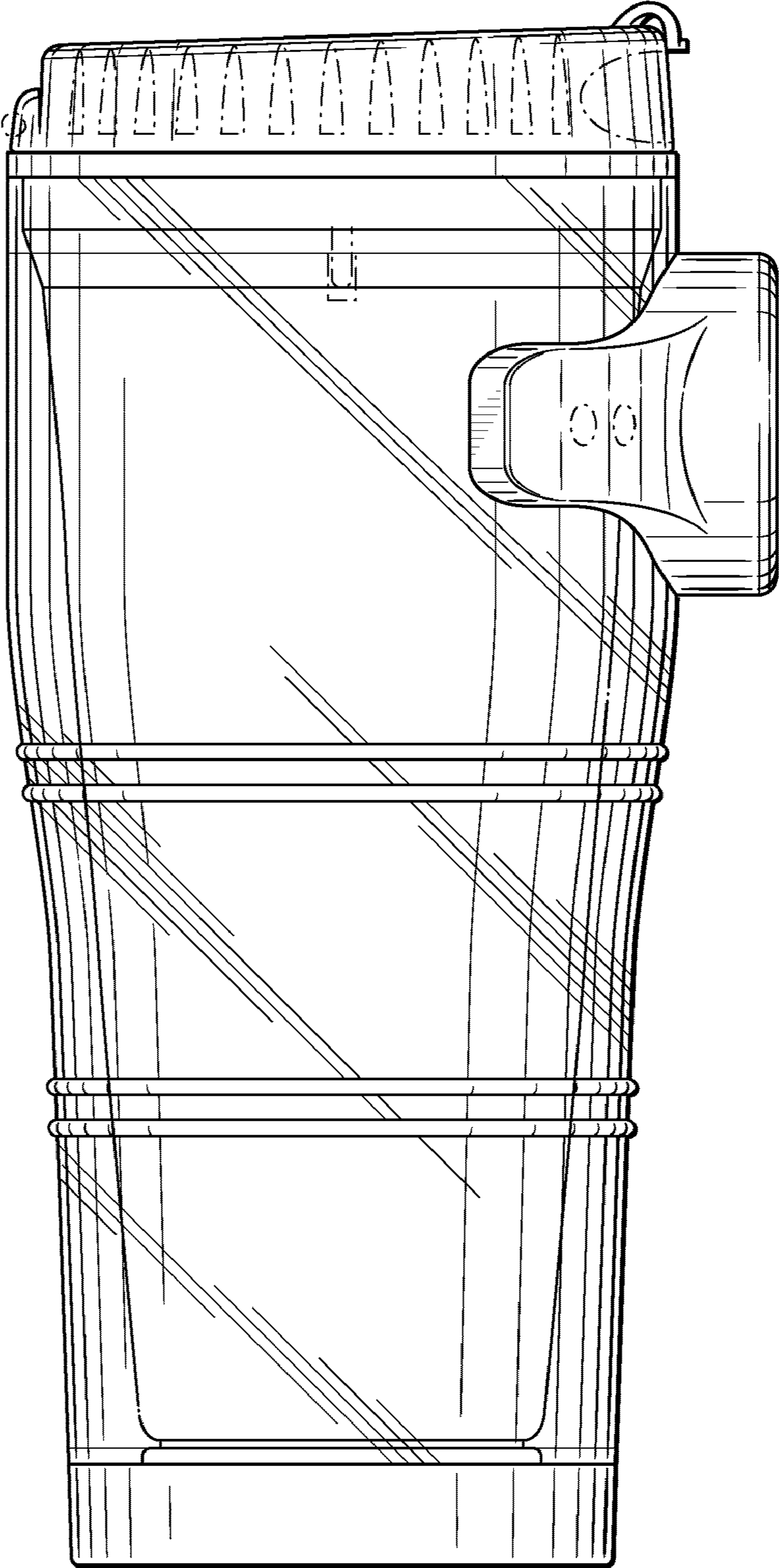


FIG. 10

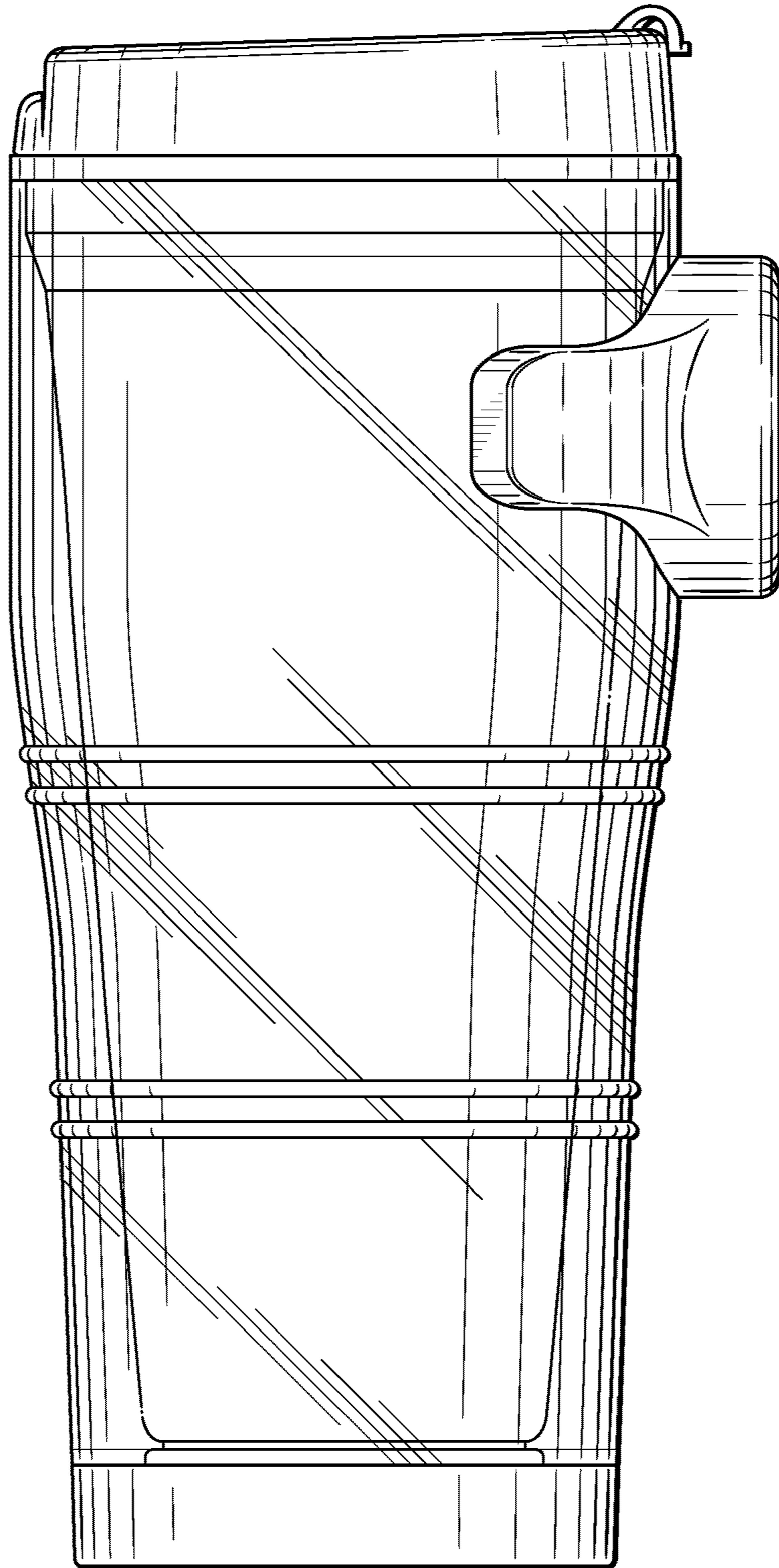


FIG. 11

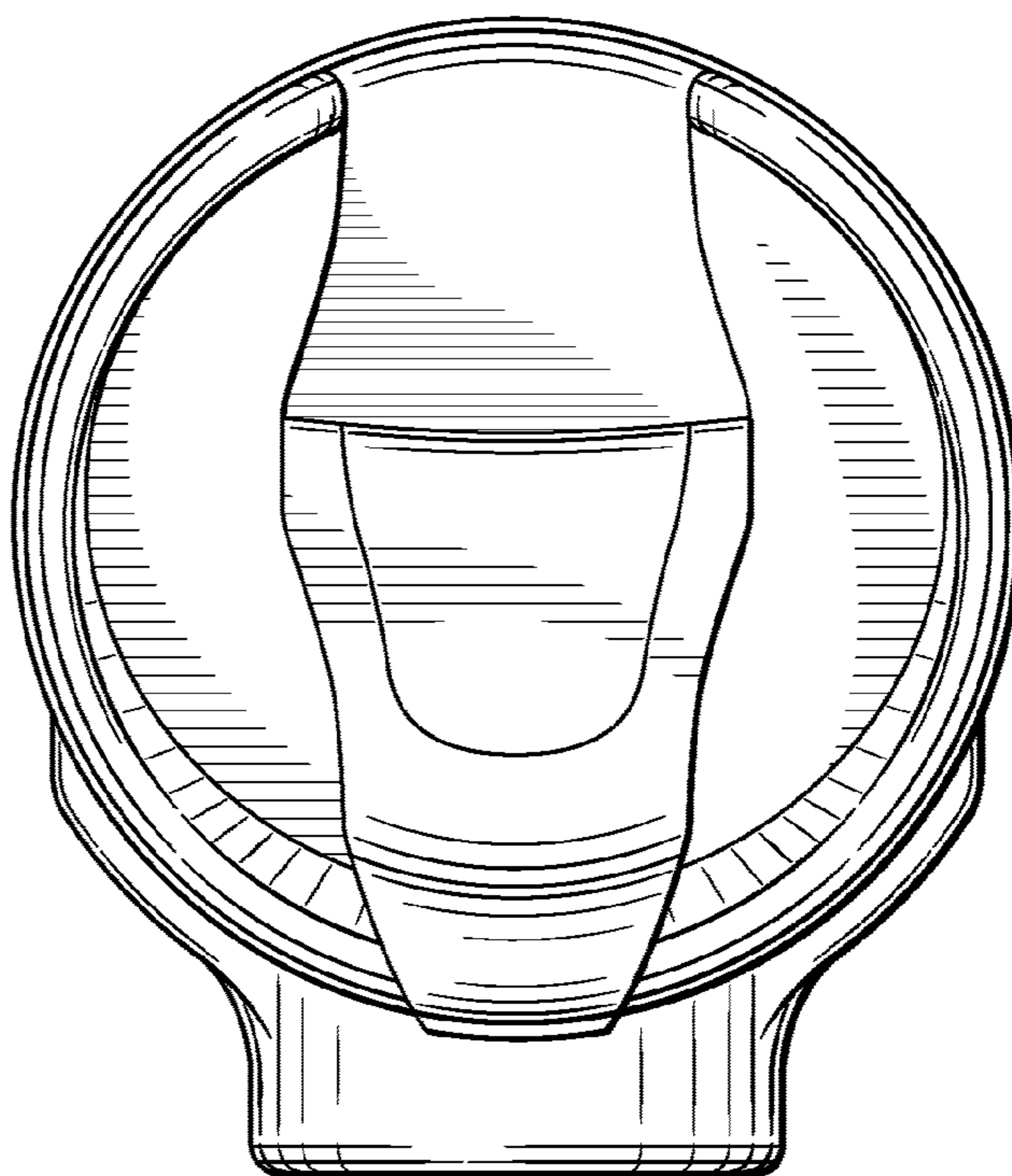


FIG. 12

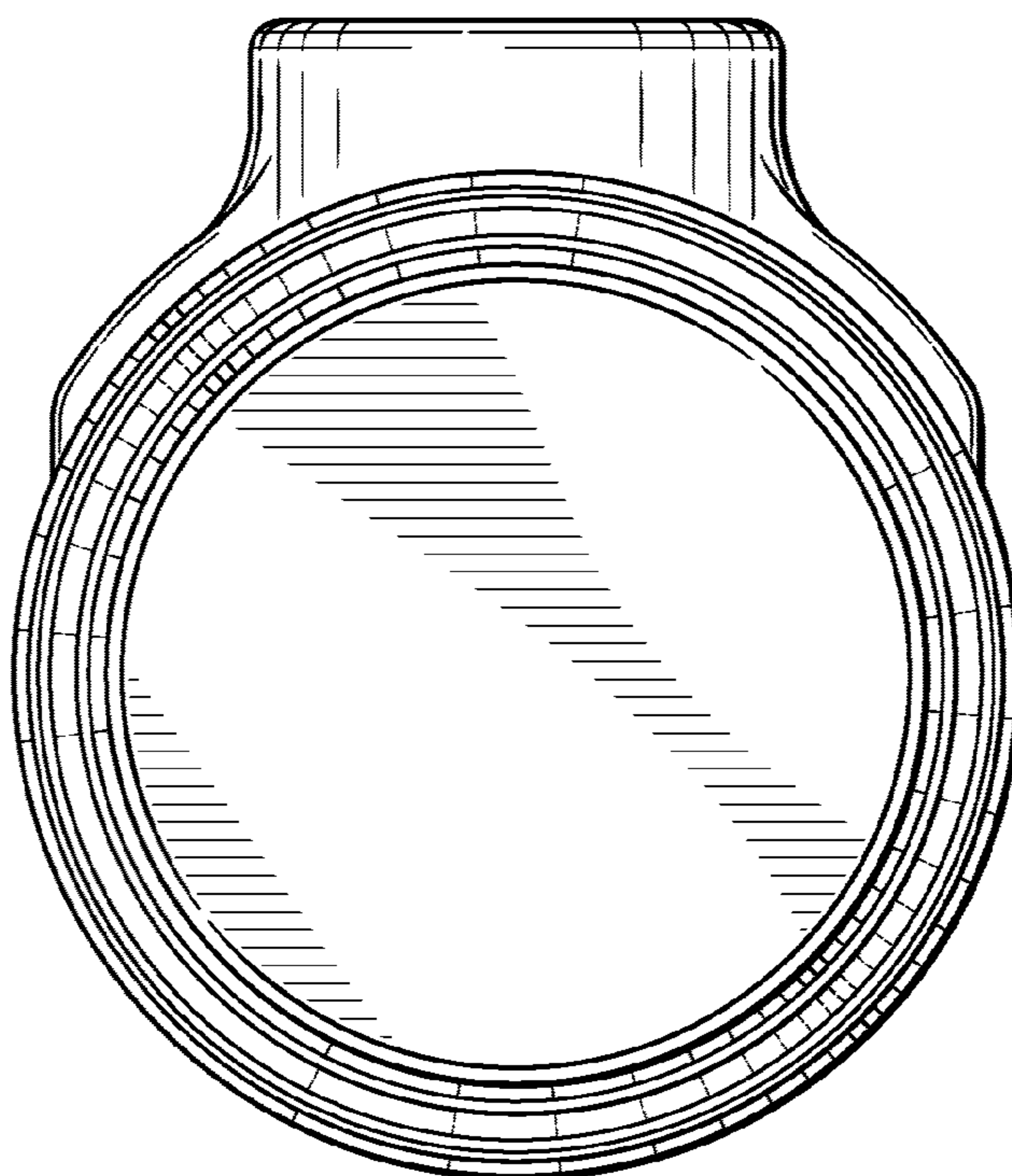


FIG. 13

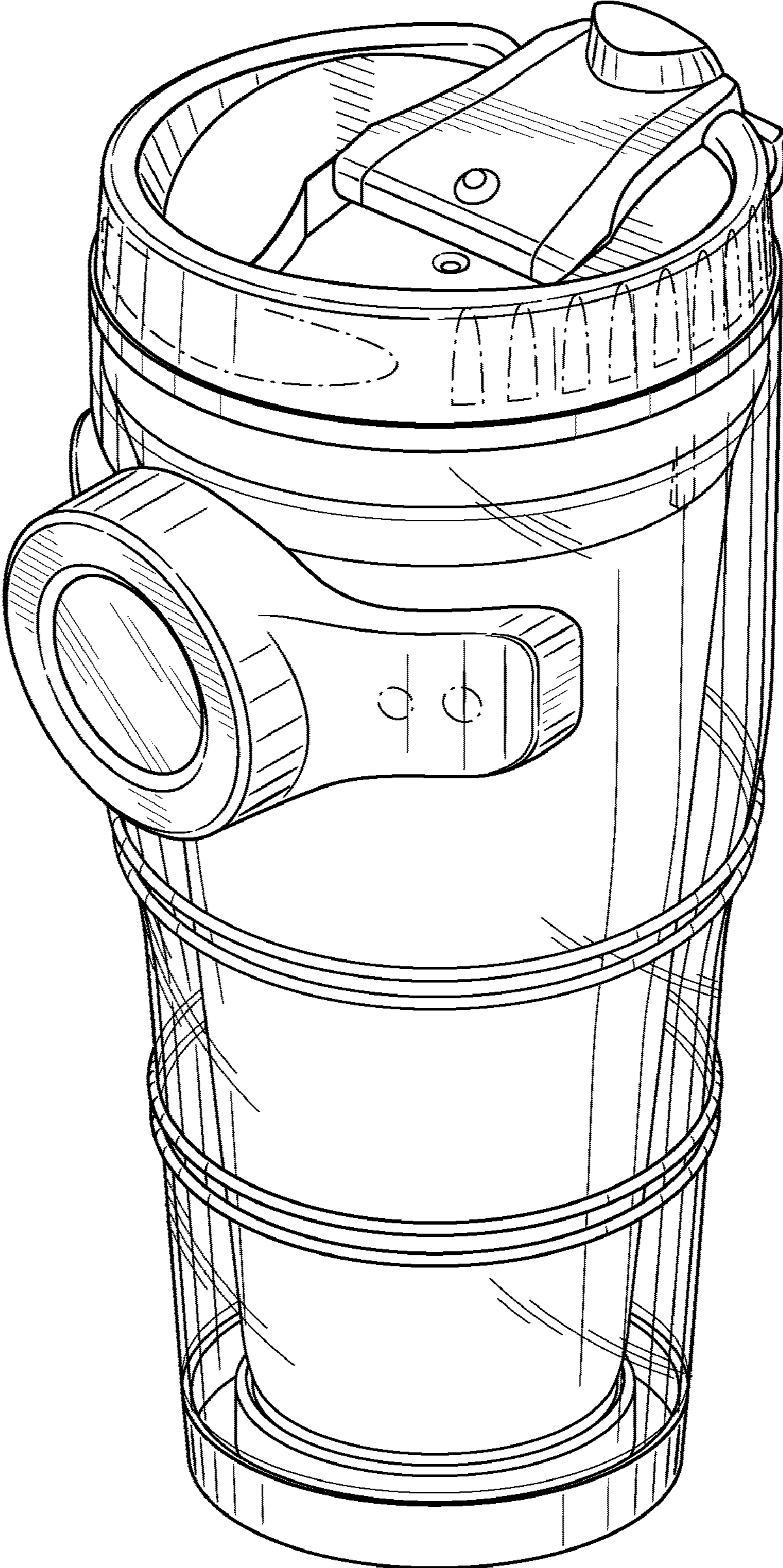


FIG. 14

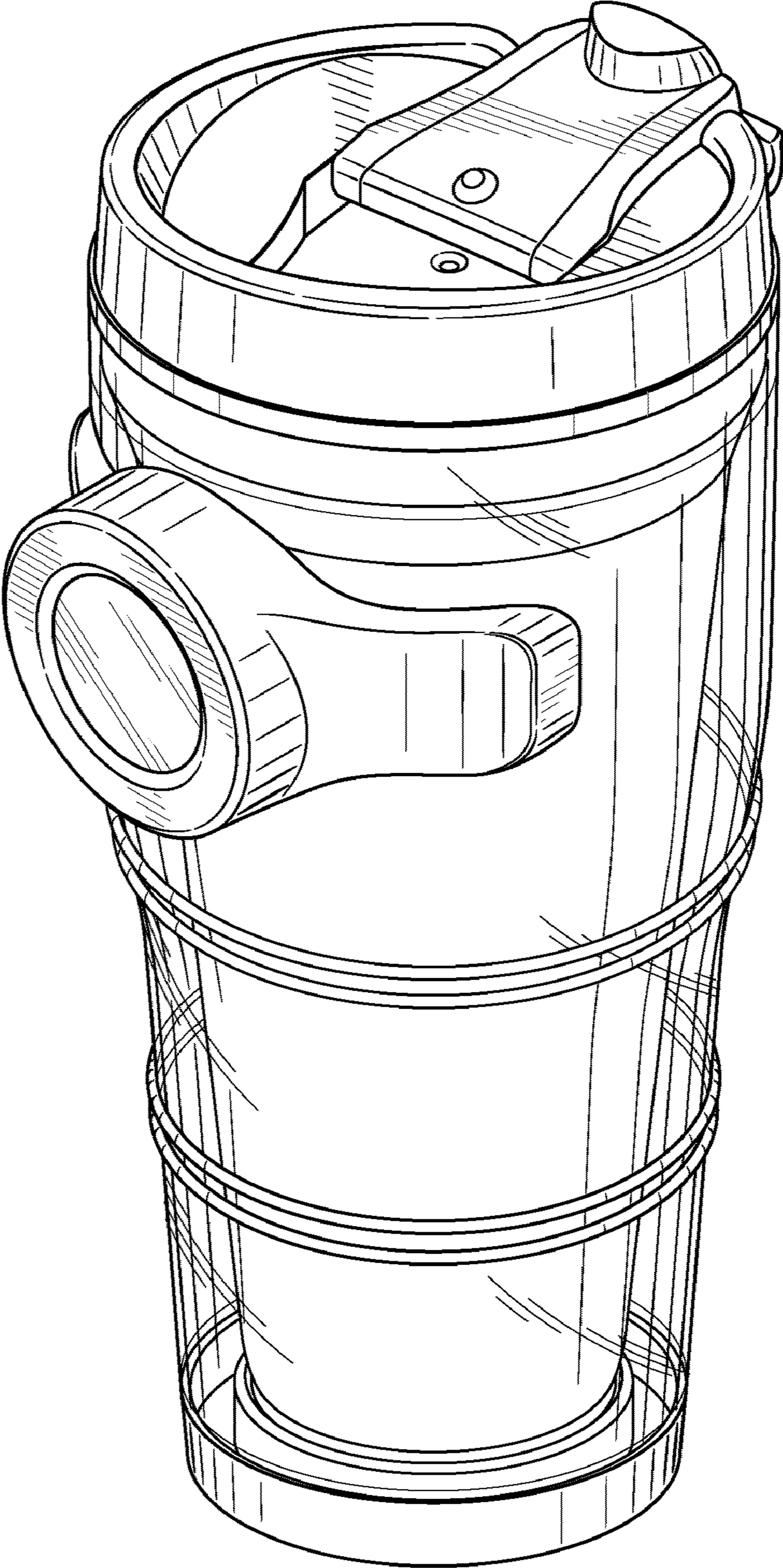


FIG. 15

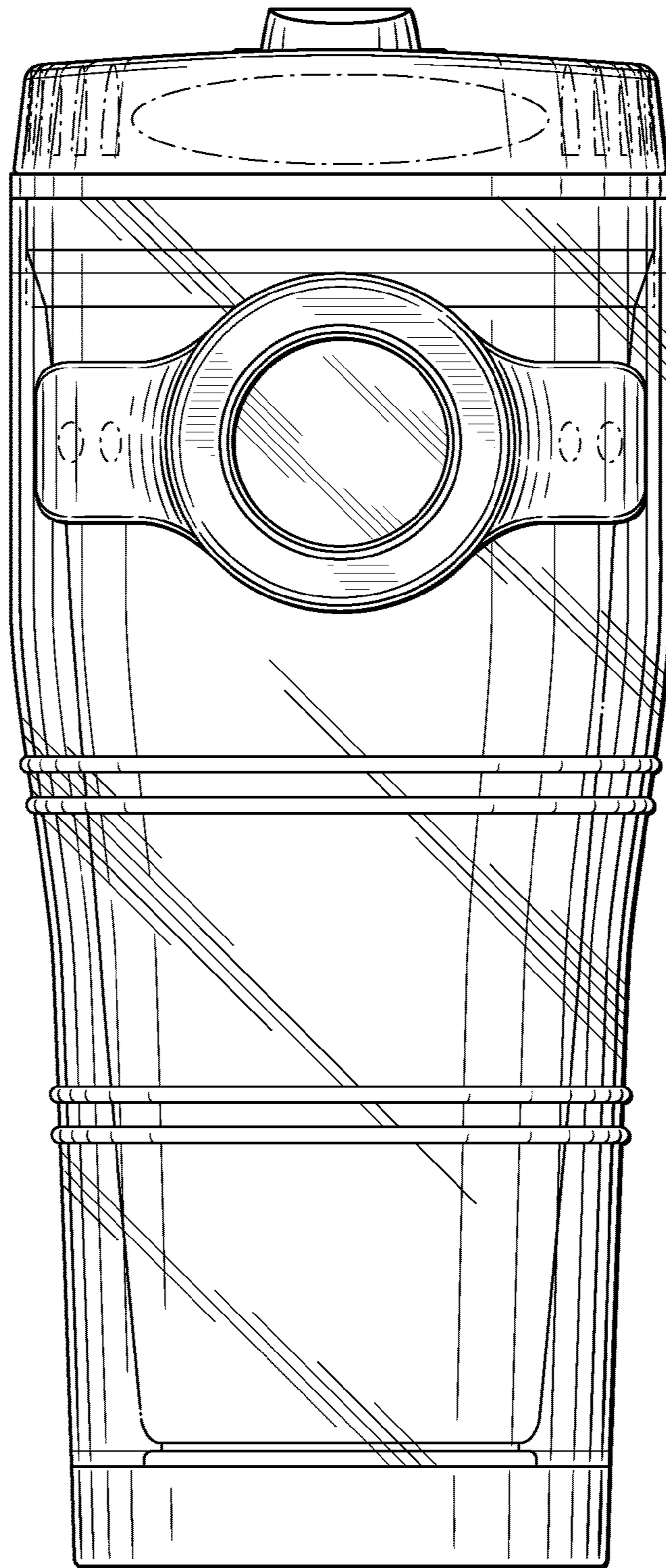
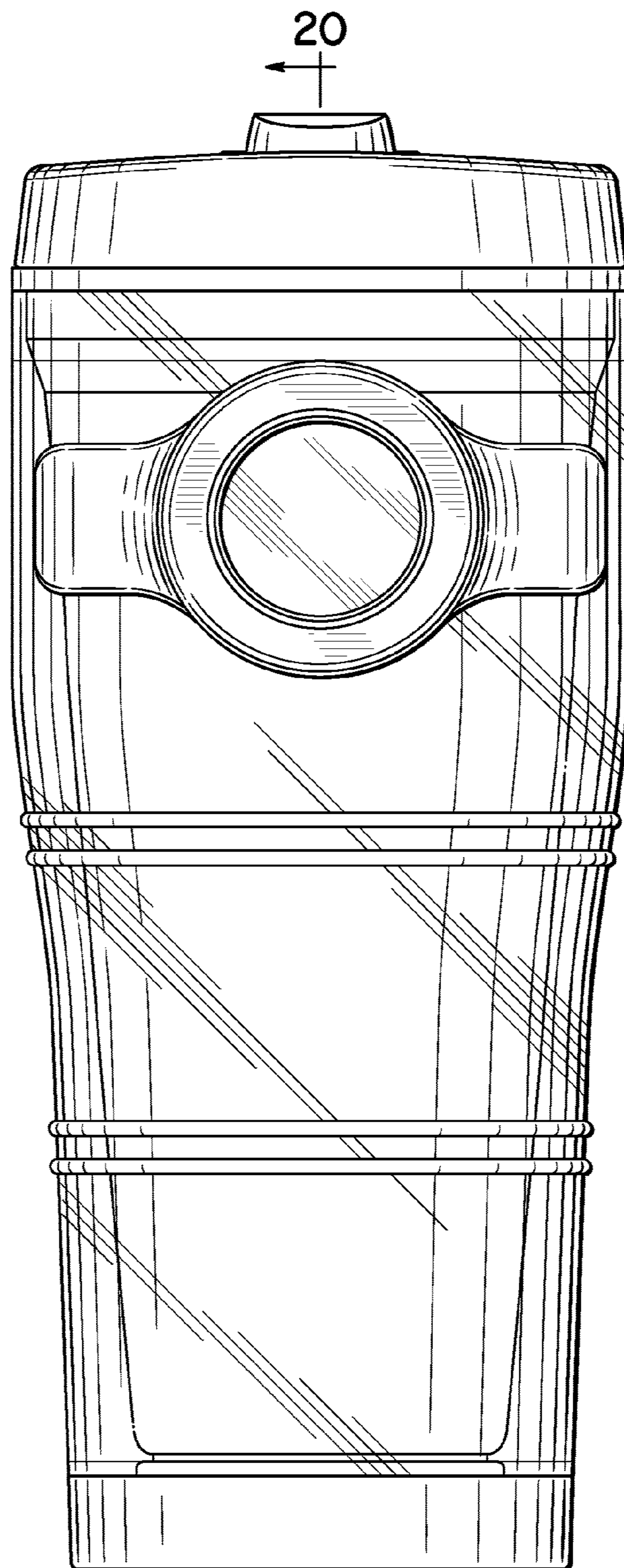


FIG. 16



20
20
FIG. 17

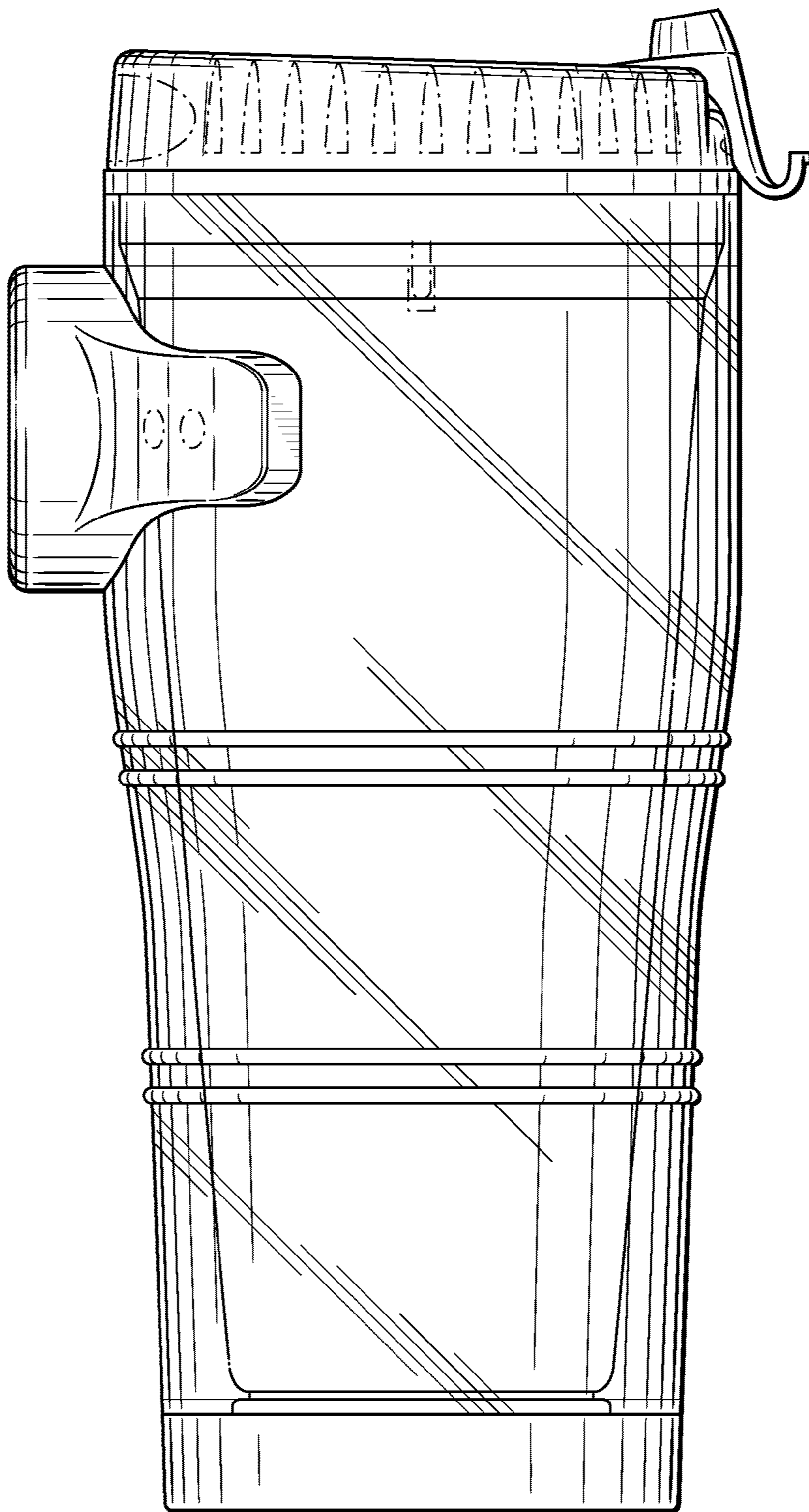


FIG. 18

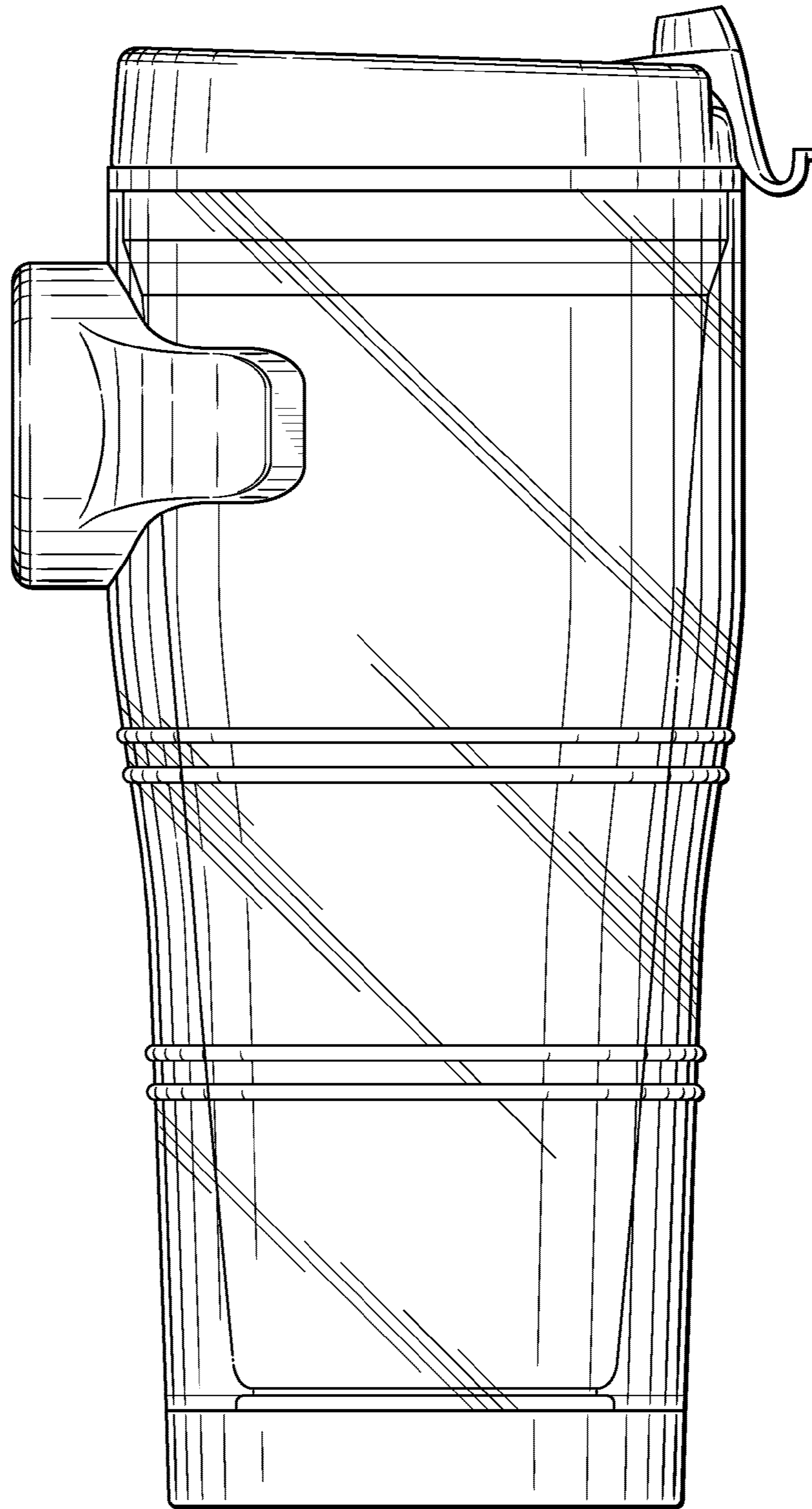


FIG. 19

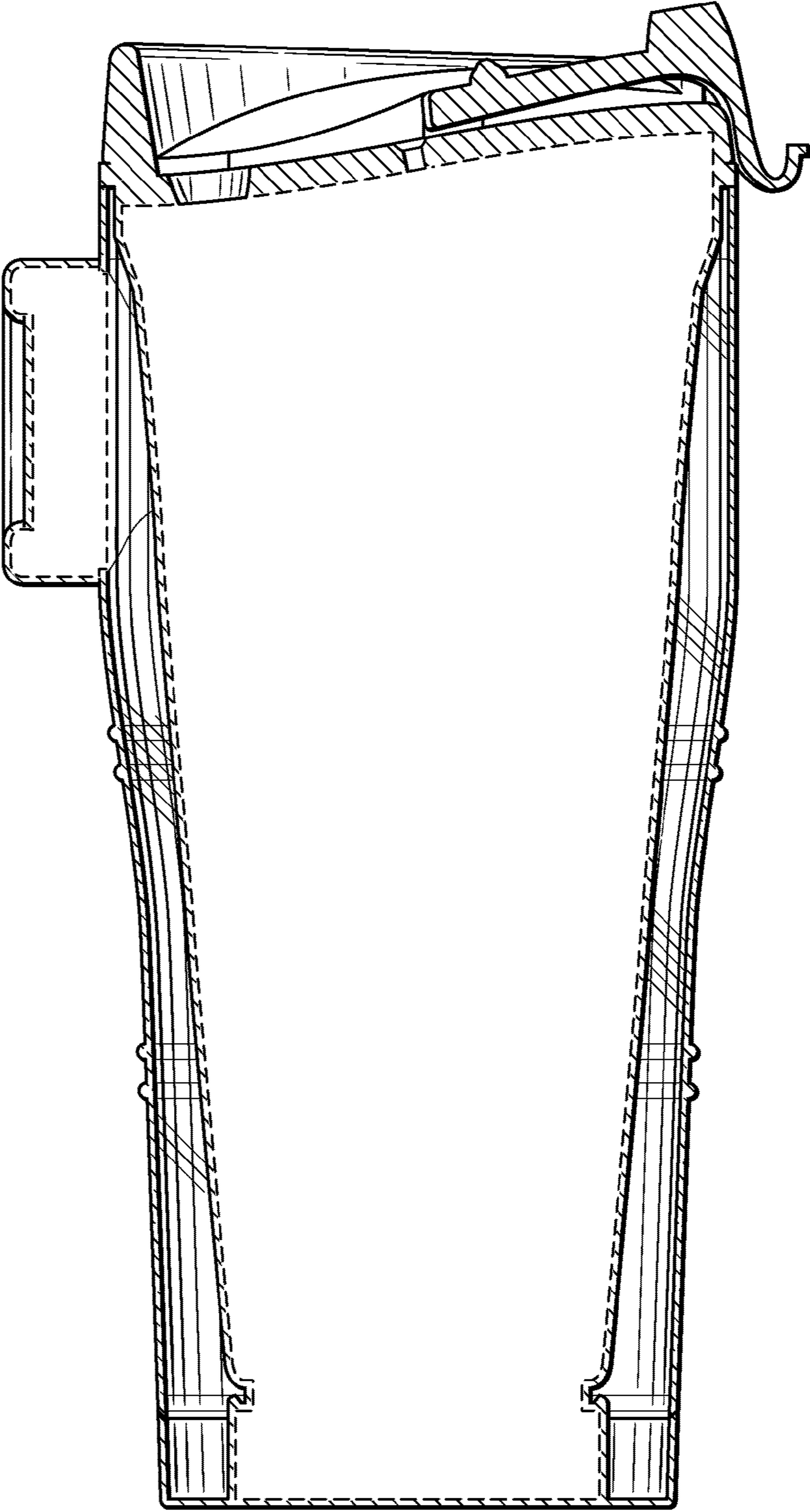


FIG. 20

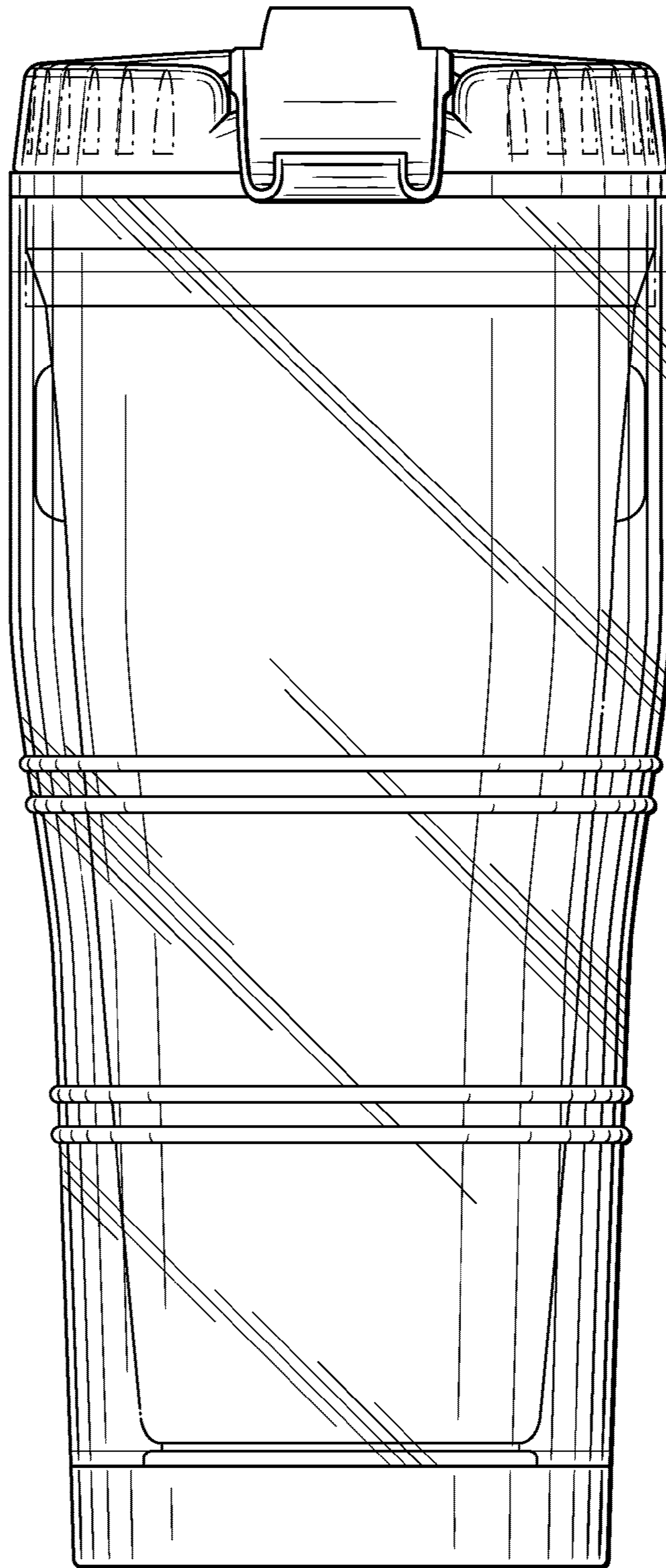


FIG. 21

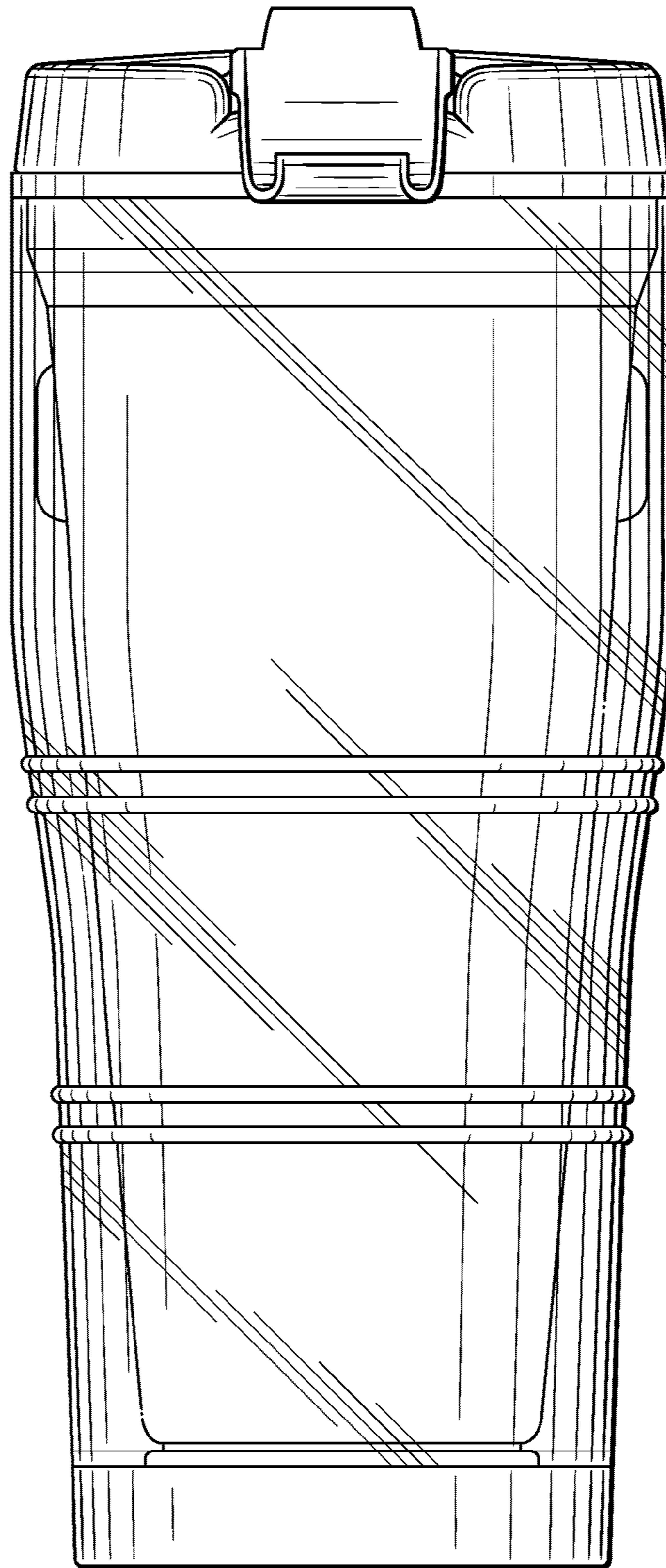


FIG. 22

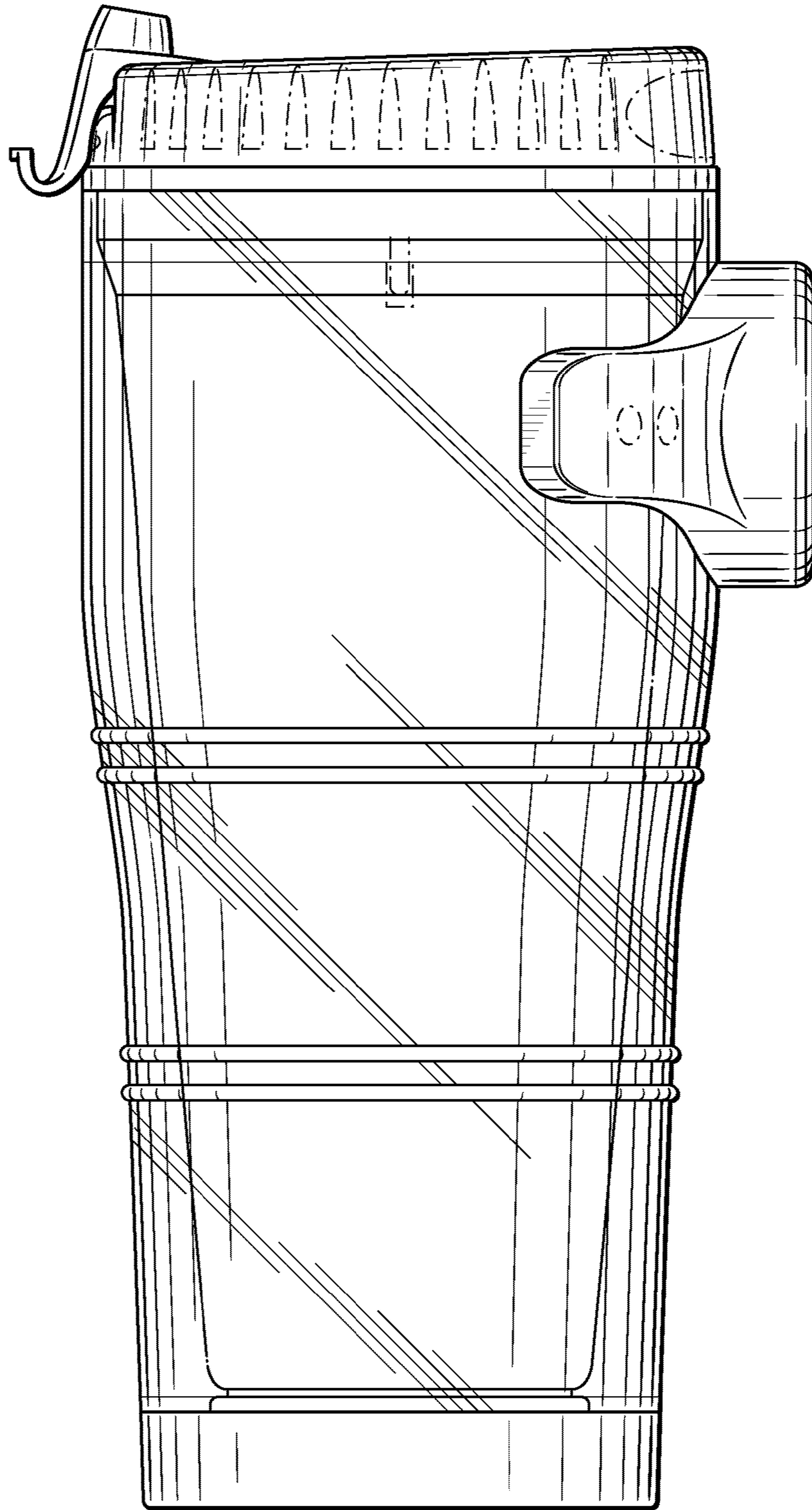


FIG. 23

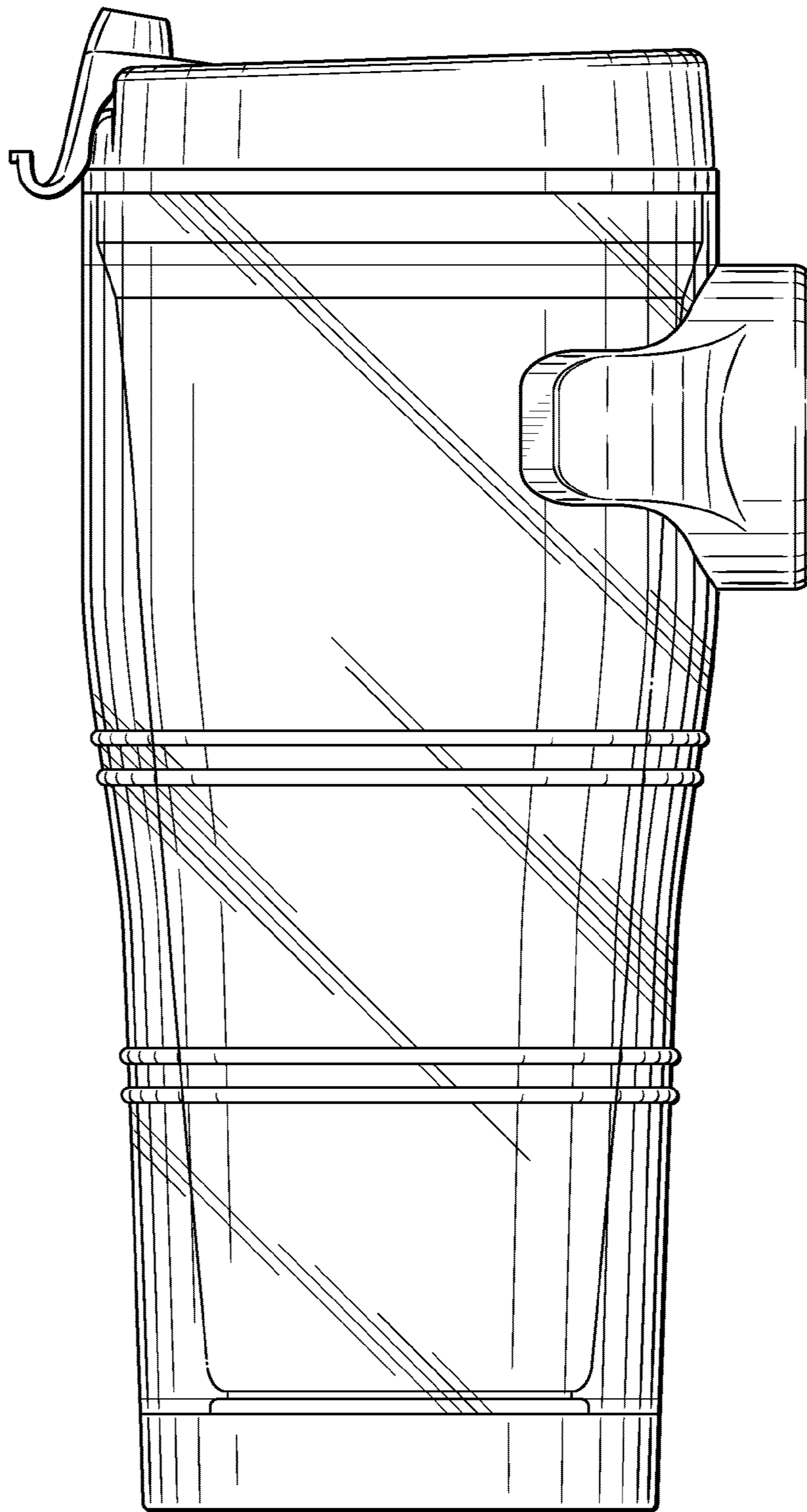


FIG. 24

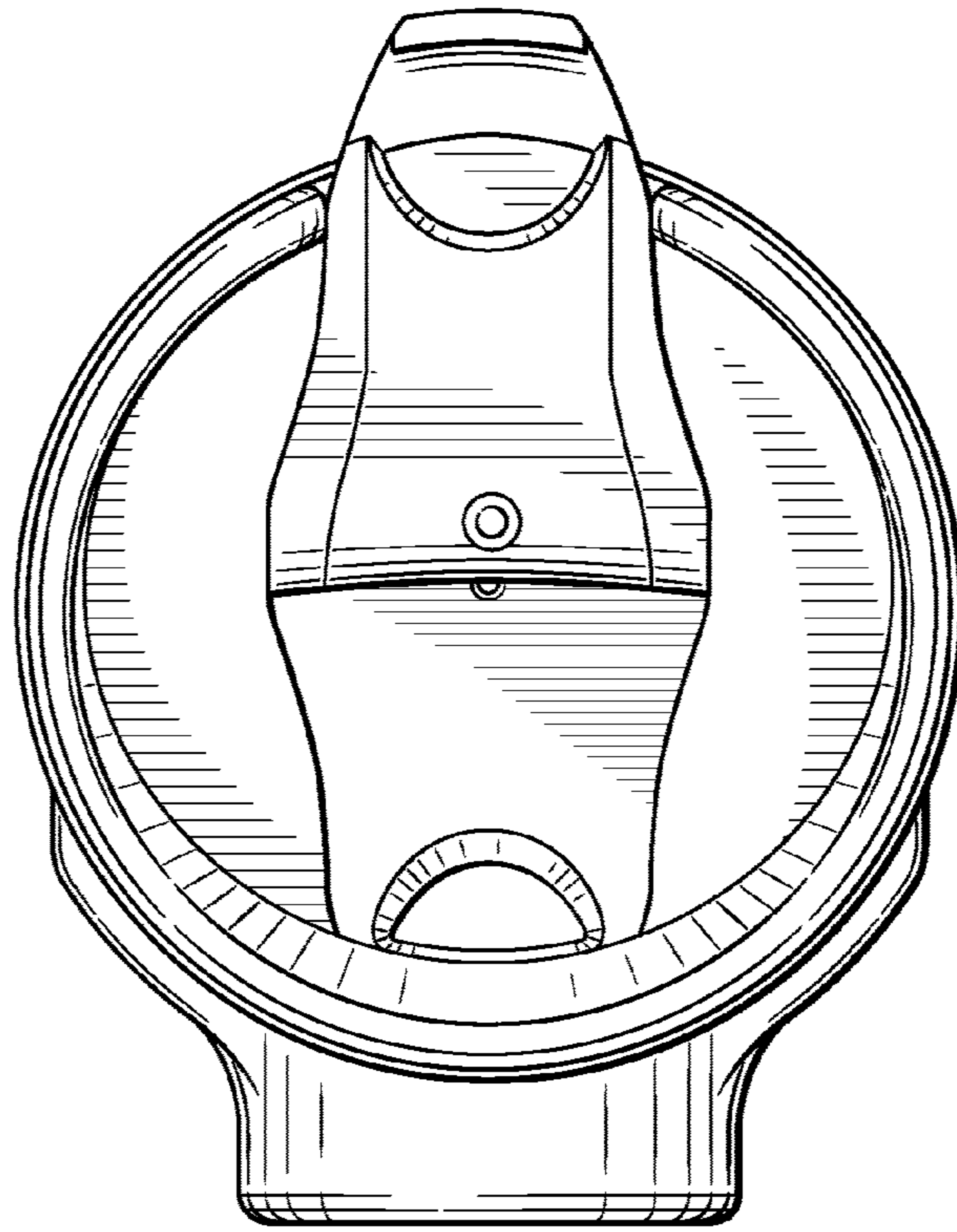


FIG. 25

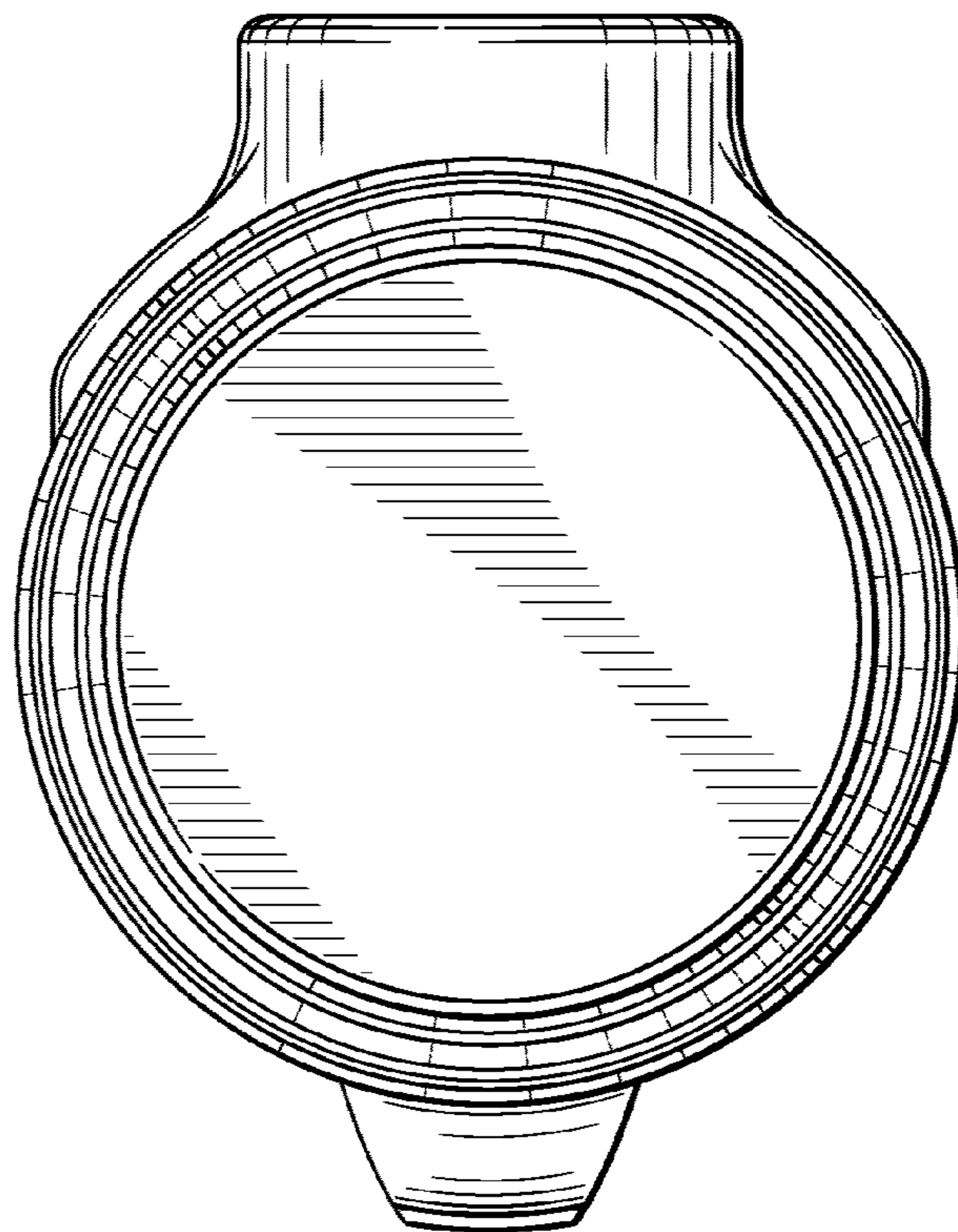


FIG. 26