



US00D655568S

(12) **United States Design Patent**
Chapman et al.

(10) **Patent No.:** **US D655,568 S**
(45) **Date of Patent:** **** Mar. 13, 2012**

(54) **MILK FROTHER**

(75) Inventors: **Dean B. Chapman**, New York, NY
(US); **Olivia Blechschmidt**, Weehawken,
NJ (US)

(73) Assignee: **Capital Products, LLC**, New York, NY
(US)

(**) Term: **14 Years**

(21) Appl. No.: **29/396,977**

(22) Filed: **Jul. 8, 2011**

(51) **LOC (9) Cl.** **31-00**

(52) **U.S. Cl.** **D7/380; D7/376; D7/379**

(58) **Field of Classification Search** D7/305-311,
D7/317-318, 368, 372, 376-386, 391, 395,
D7/412-415, 665, 690; 99/326, 348, 508-511;
241/30-37.5, 101.01-101.2, 166-169.1,
241/285.1-285.3, 291, 292.1; 366/64-67,
366/98, 129, 142, 197-211, 241-254, 279-292,
366/341-347; 416/75-76, 70 R, 163

See application file for complete search history.

(56) **References Cited**

U.S. PATENT DOCUMENTS

D121,299 S *	7/1940	Kress	D7/379
D452,111 S *	12/2001	Lane	D7/376
6,558,035 B2 *	5/2003	Lane	366/129
D489,583 S *	5/2004	Cheung	D7/690
D490,647 S *	6/2004	Buesching	D7/379
D493,330 S *	7/2004	Lane	D7/395
D530,976 S *	10/2006	Parkinson	D7/379
D533,023 S *	12/2006	Lo	D7/379

* cited by examiner

Primary Examiner — Ricky Pham

(74) *Attorney, Agent, or Firm* — Klauber & Jackson LLC

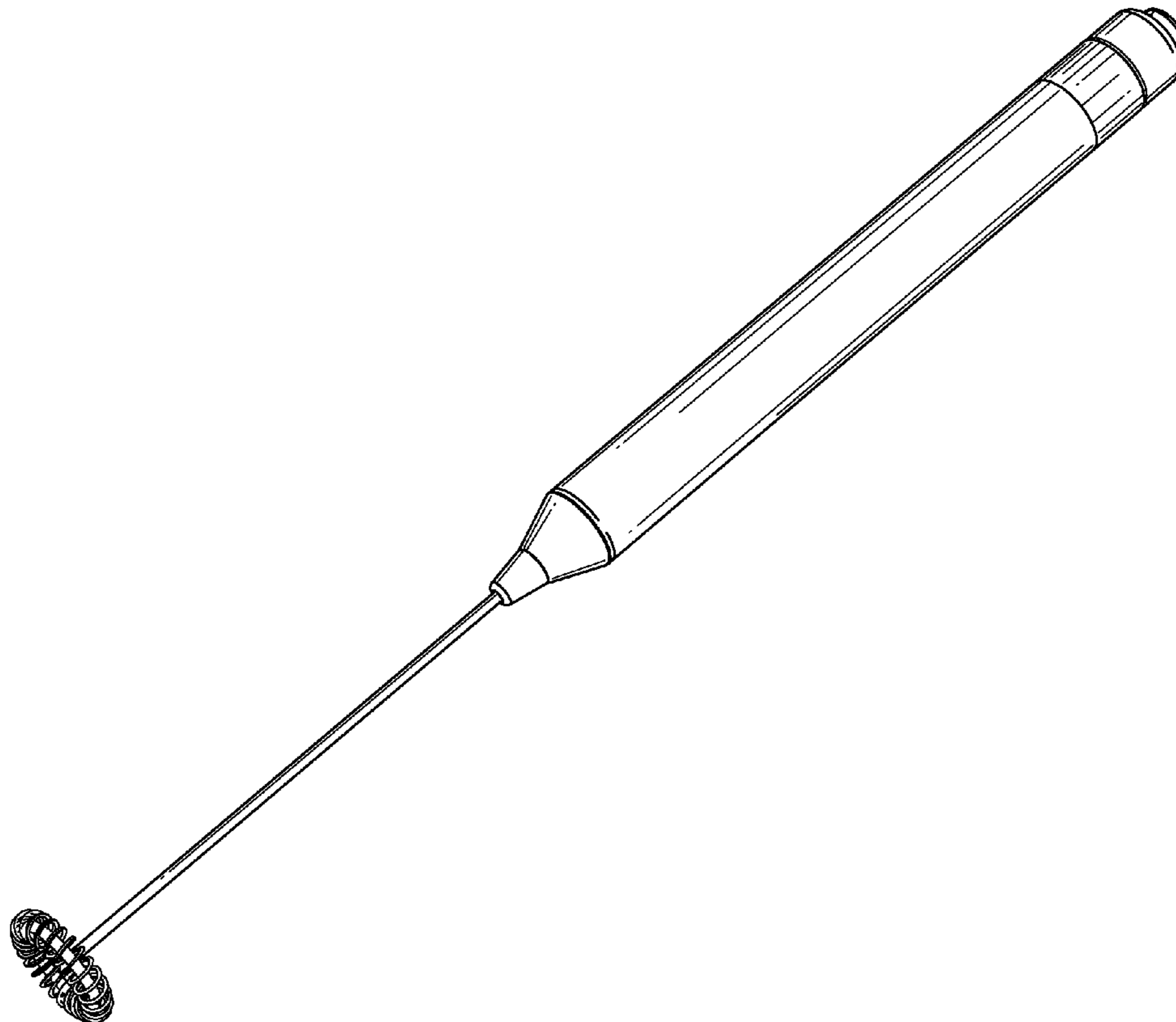
(57) **CLAIM**

The ornamental design for a milk frother, as shown and described.

DESCRIPTION

FIG. 1 is a left front perspective view showing the bottom, front and left side of the milk frother of our new design; FIG. 2 is a top view thereof; FIG. 3 is a bottom view thereof; and FIG. 4 is a side view thereof, all sides being identical hereto; and, FIG. 5 is a left front perspective view similar to FIG. 1, exploded to show portions of the milk frother separated from each other along a common axis.

1 Claim, 4 Drawing Sheets



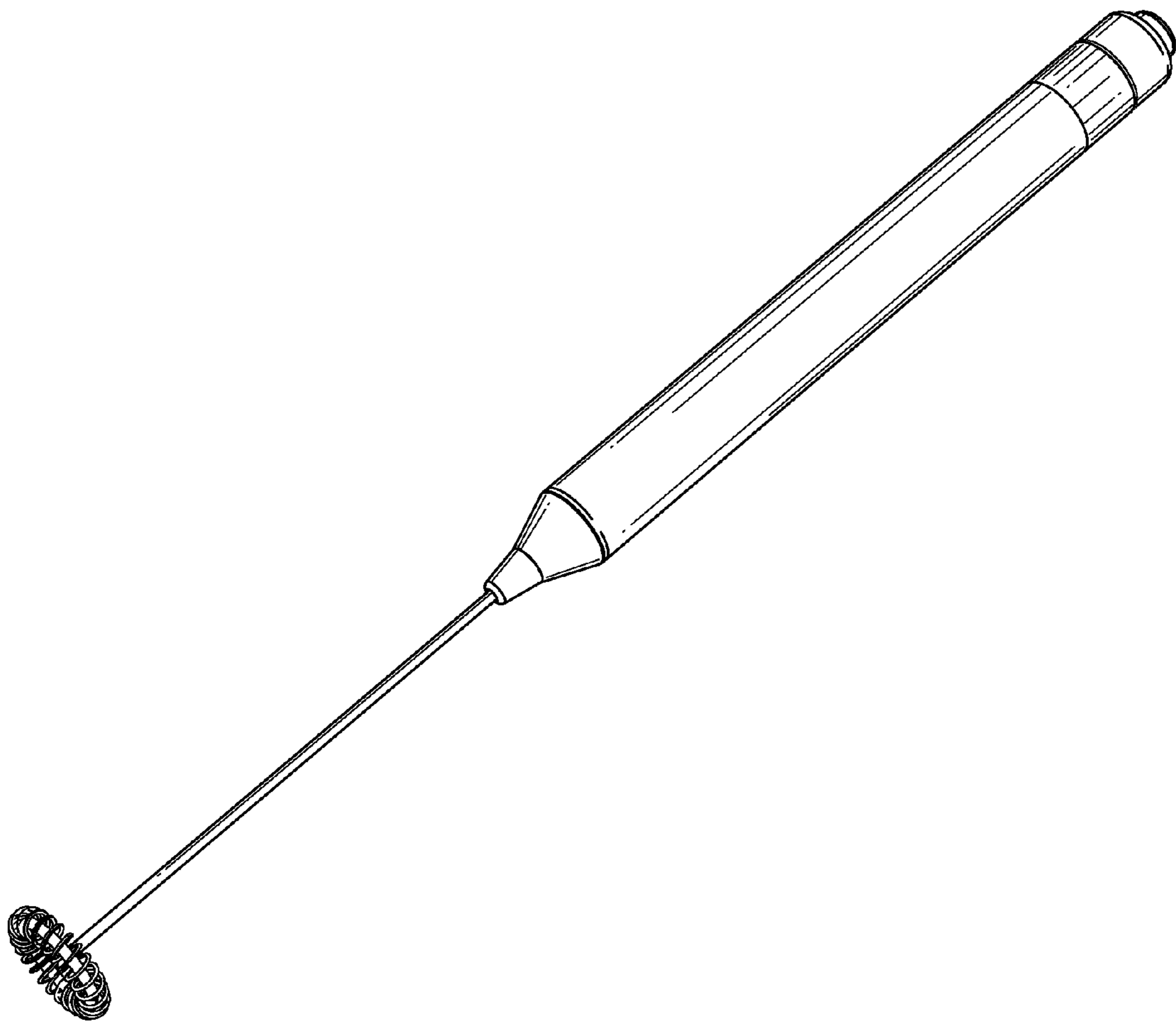


Fig. 1

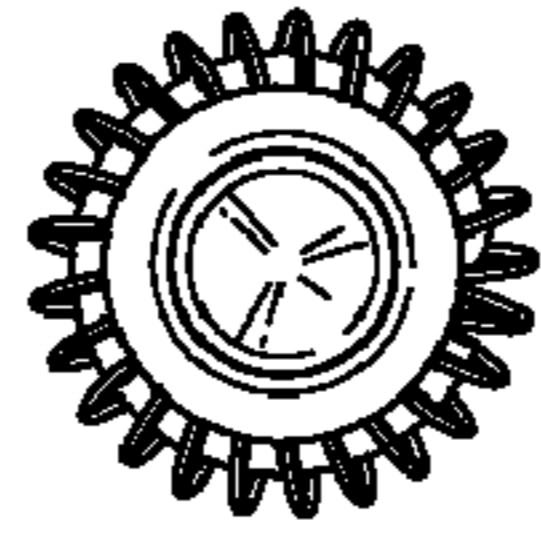


Fig. 2



Fig. 3

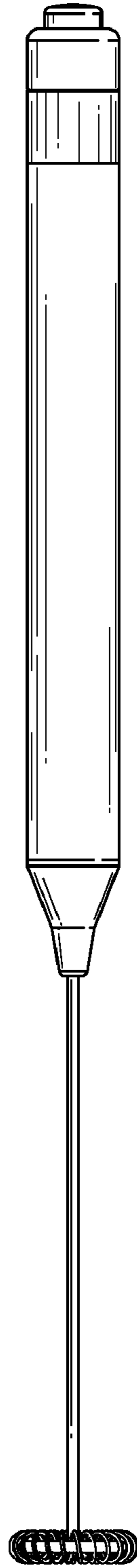


Fig. 4

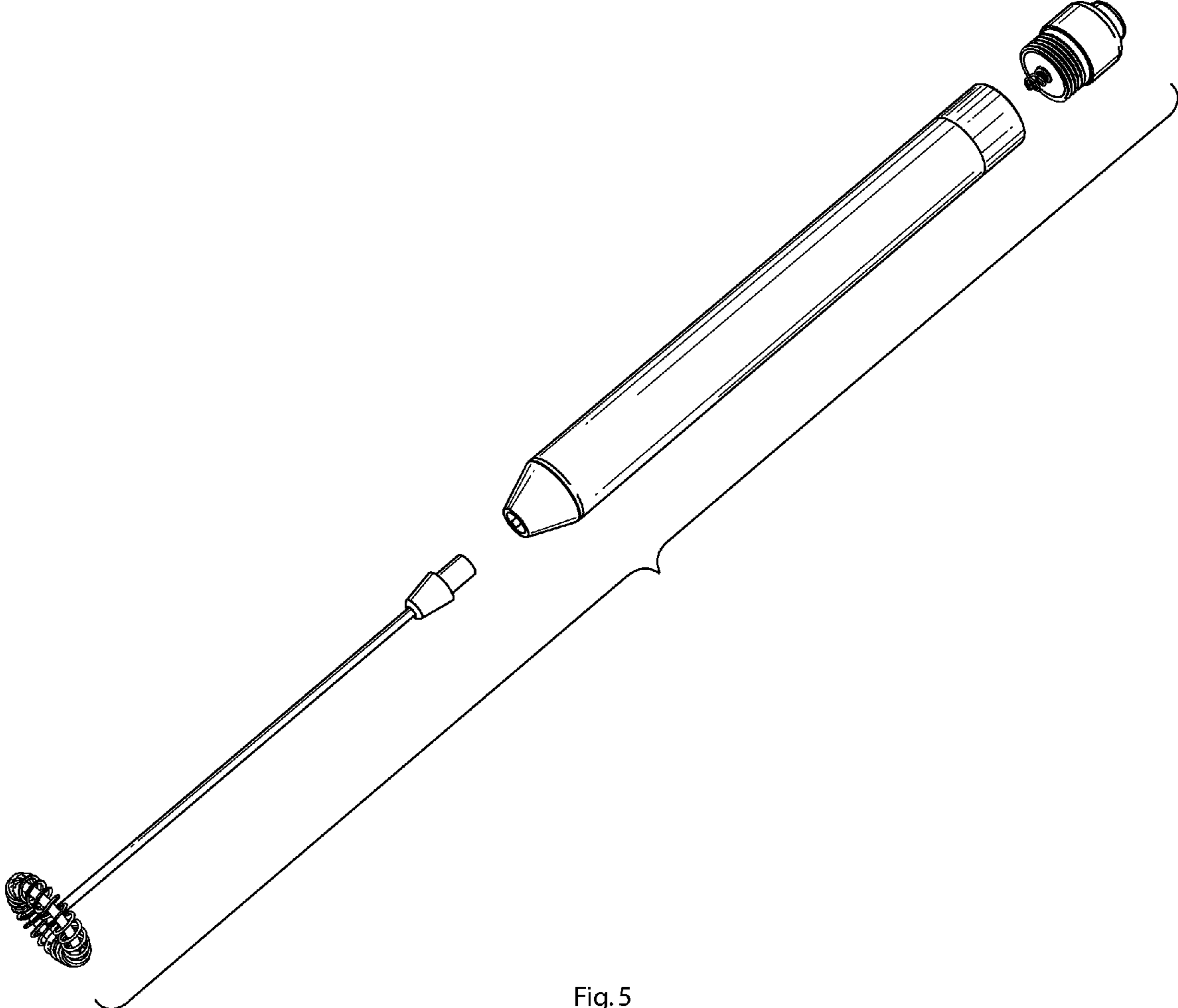


Fig. 5