

US00D655565S

(12) **United States Design Patent**
Goss et al.

(10) **Patent No.:** **US D655,565 S**
(45) **Date of Patent:** **** Mar. 13, 2012**

(54) **INDUCTION COOKTOP**
(75) Inventors: **Ulrich Goss**, München (DE); **Florian Metz**, Unterföhring (DE); **Robert Sachon**, München (DE)
(73) Assignee: **BSH Bosch und Siemens Hausgeraete GmbH**, Munich (DE)
(**) Term: **14 Years**

(21) Appl. No.: **29/350,273**
(22) Filed: **Nov. 13, 2009**

(30) **Foreign Application Priority Data**
Jul. 31, 2009 (DE) 40 2009 003 742
(51) **LOC (9) Cl.** **07-02**
(52) **U.S. Cl.** **D7/346**
(58) **Field of Classification Search** D7/323,
D7/340-348, 404-409; 126/39 B, 211, 217-218,
126/214 C, 214 R, 215-216, 152 R; 219/460.1,
219/506
See application file for complete search history.

(56) **References Cited**
U.S. PATENT DOCUMENTS
D396,989 S * 8/1998 Deo et al. D7/346
D450,527 S * 11/2001 Busalt D7/346
D451,332 S * 12/2001 Busalt D7/346
D462,866 S * 9/2002 Resuello et al. D7/346
D464,845 S * 10/2002 Shin D7/346
D553,899 S * 10/2007 Grey et al. D7/346
D553,900 S * 10/2007 Grey et al. D7/346

D557,549 S * 12/2007 Grey et al. D7/346
D560,957 S * 2/2008 Grey et al. D7/346
D563,715 S * 3/2008 Grey et al. D7/346
D563,716 S * 3/2008 Grey et al. D7/346
D568,673 S * 5/2008 Tanaka D7/346
D605,457 S * 12/2009 Busalt et al. D7/346
D605,458 S * 12/2009 Busalt et al. D7/346
D606,357 S * 12/2009 Busalt et al. D7/346
D606,358 S * 12/2009 Busalt et al. D7/346
D606,796 S * 12/2009 Busalt et al. D7/346
* cited by examiner

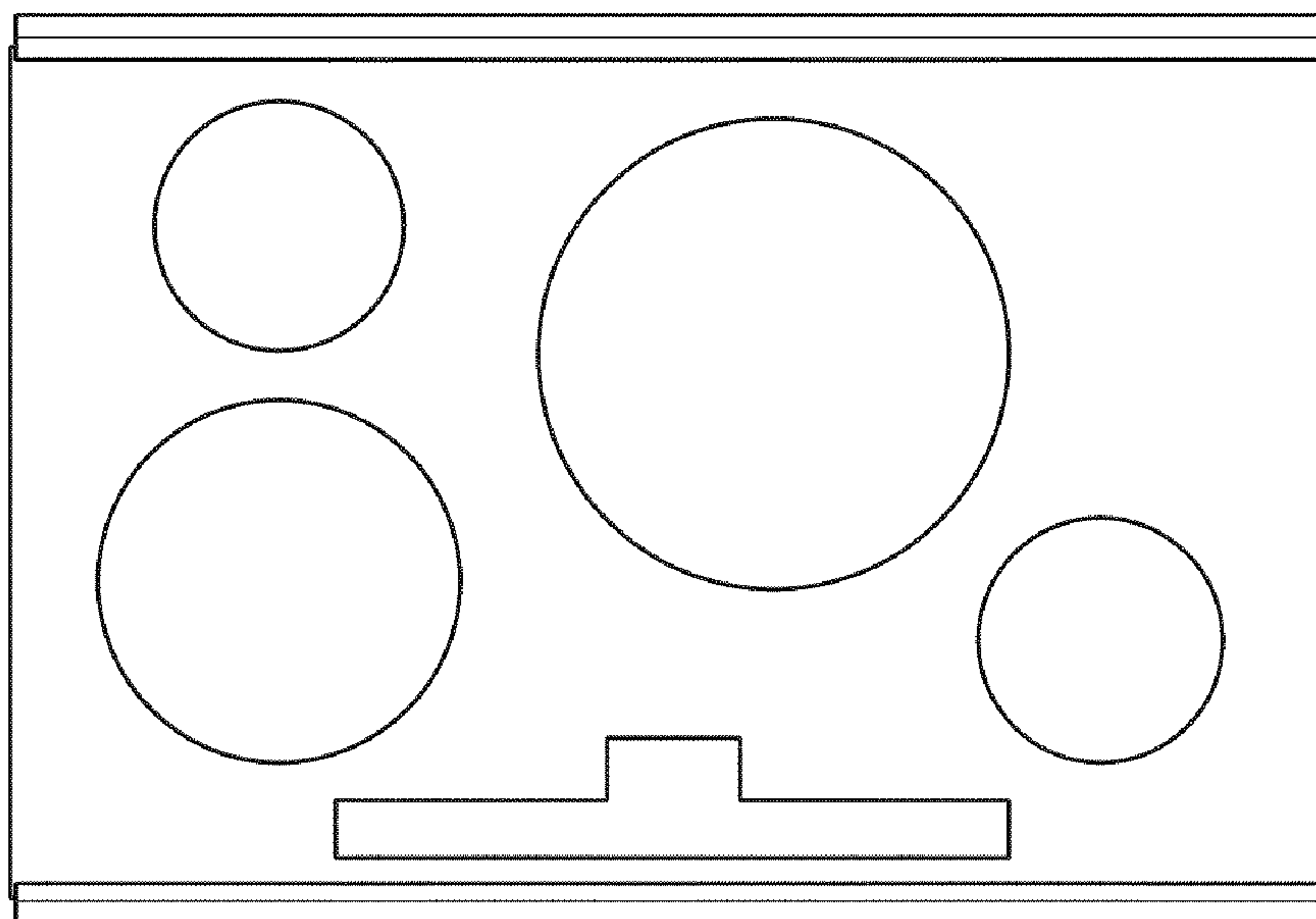
Primary Examiner — Ralf Seifert
(74) *Attorney, Agent, or Firm* — James E. Howard; Andre Pallapies

(57) **CLAIM**
The ornamental design for an induction cooktop, as shown and described.

DESCRIPTION

FIG. 1 is a top plan view of an induction cooktop showing the first embodiment of our new design;
FIG. 2 is top plan view of an induction cooktop showing the second embodiment of our new design;
FIG. 3 is a perspective view of FIG. 1;
FIG. 4 is a right side view of FIG. 1;
FIG. 5 is a left side view of FIG. 1;
FIG. 6 is a front view of FIG. 1;
FIG. 7 is a rear view of FIG. 1;
FIG. 8 is a perspective view of FIG. 2;
FIG. 9 is a right side view of FIG. 2;
FIG. 10 is a left side view of FIG. 2;
FIG. 11 is a front view of FIG. 2; and,
FIG. 12 is a rear view of FIG. 2.

1 Claim, 5 Drawing Sheets



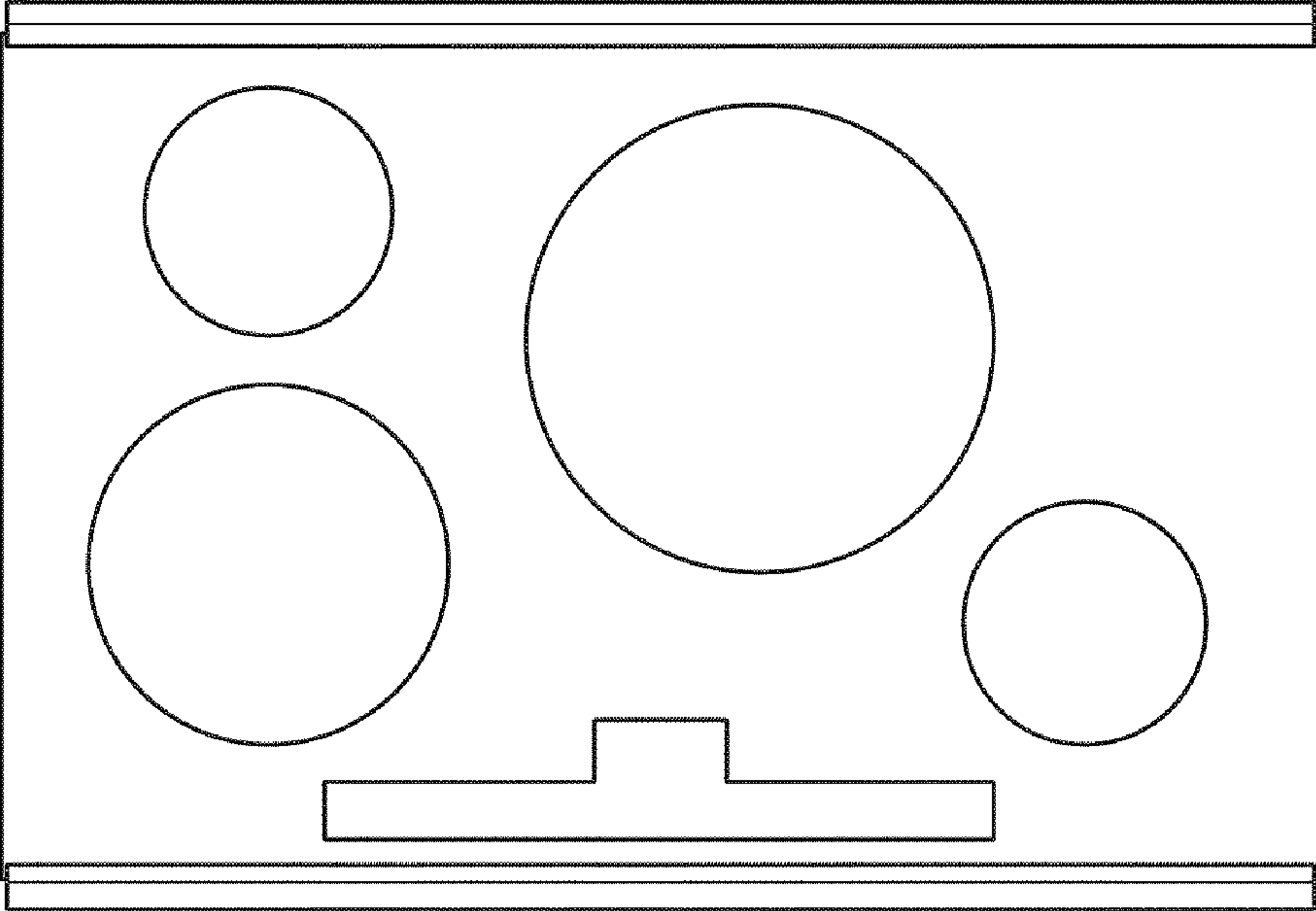


FIG. 1

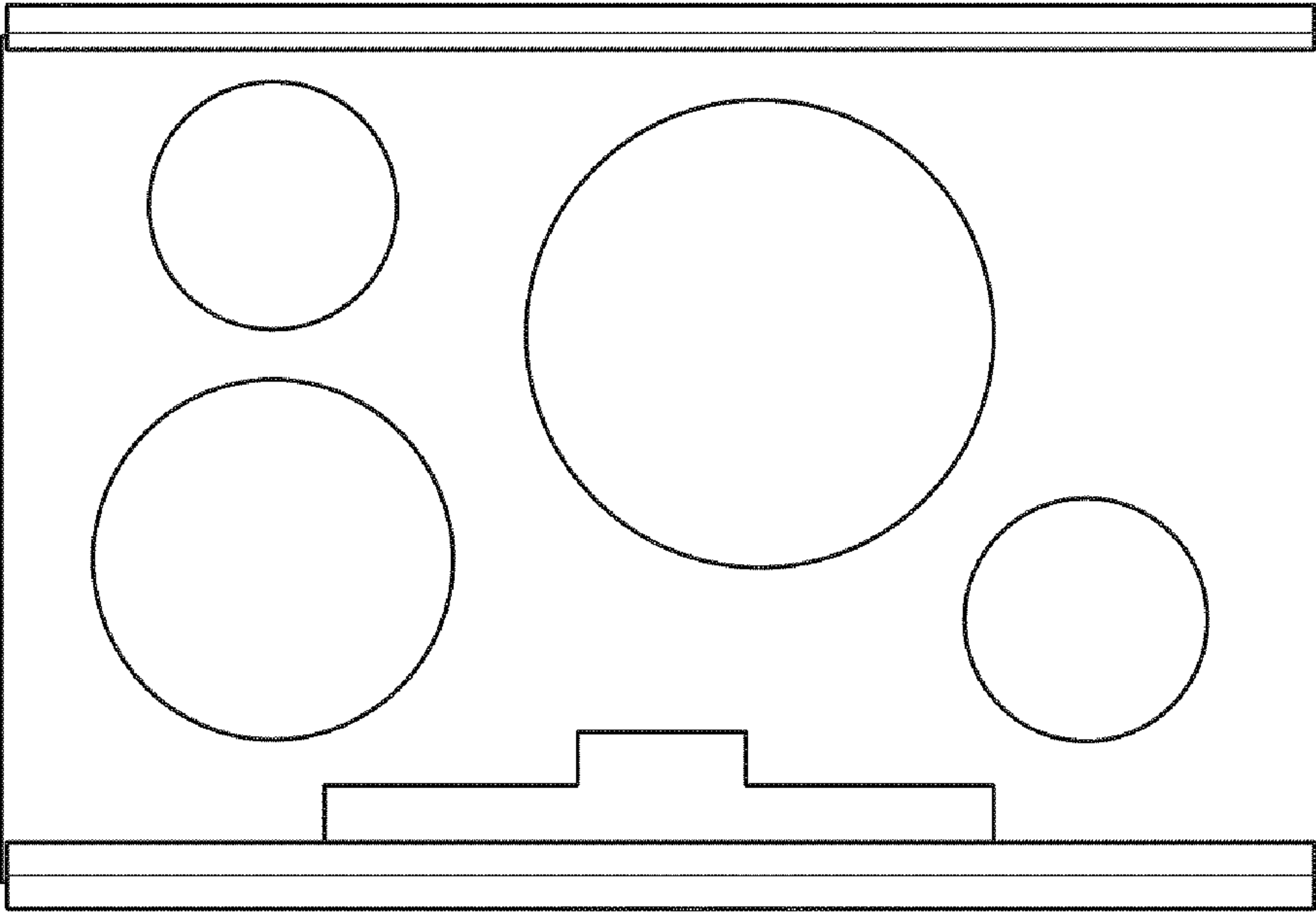


FIG. 2

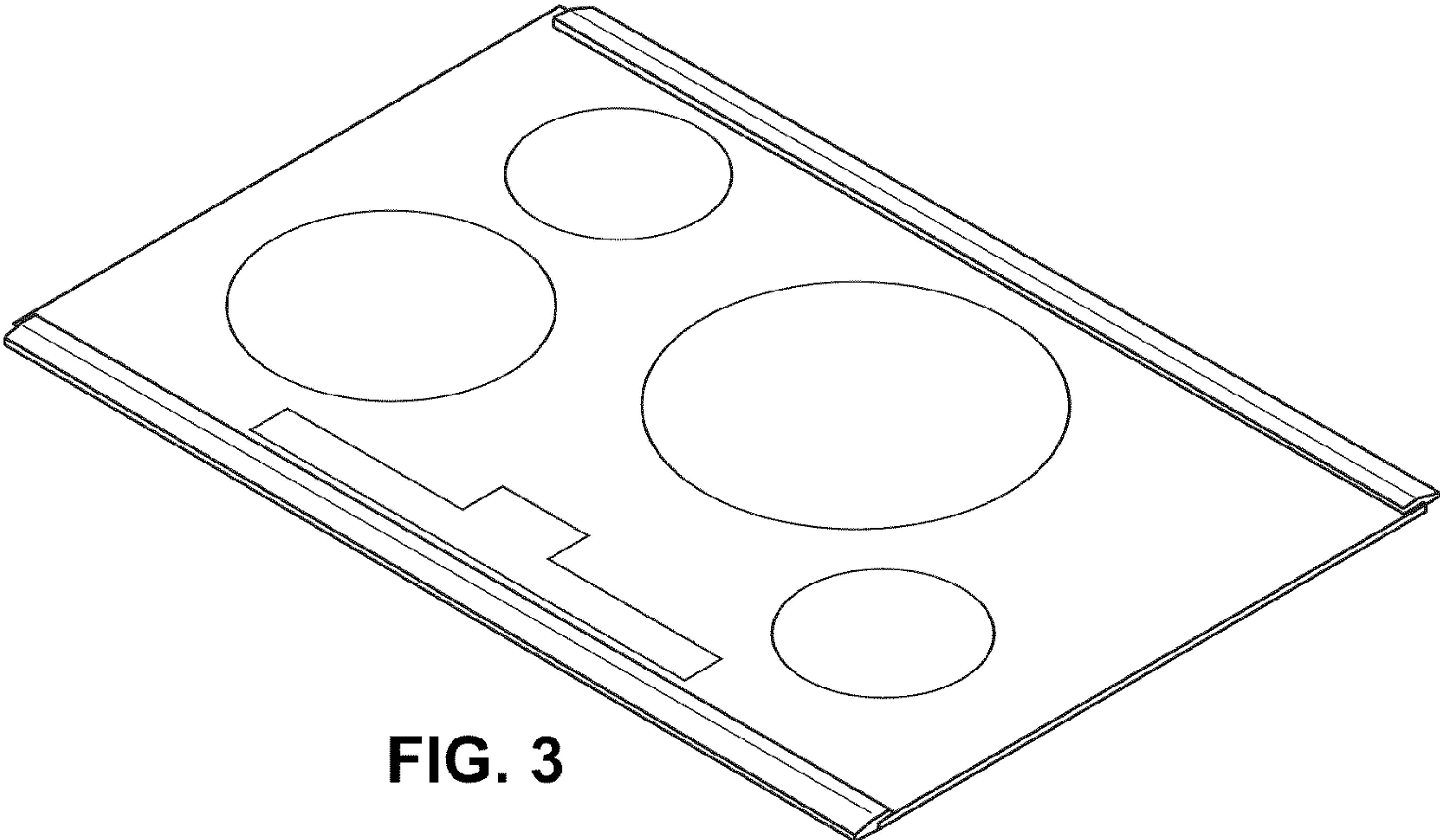


FIG. 3

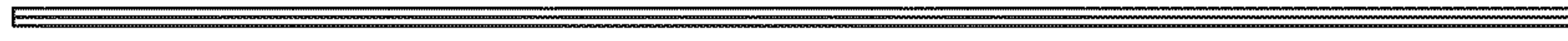


FIG. 6

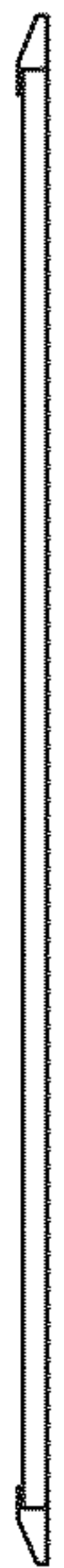


FIG. 4

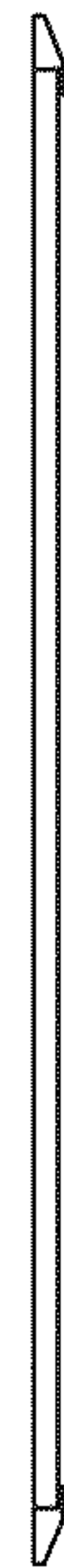


FIG. 5



FIG. 7

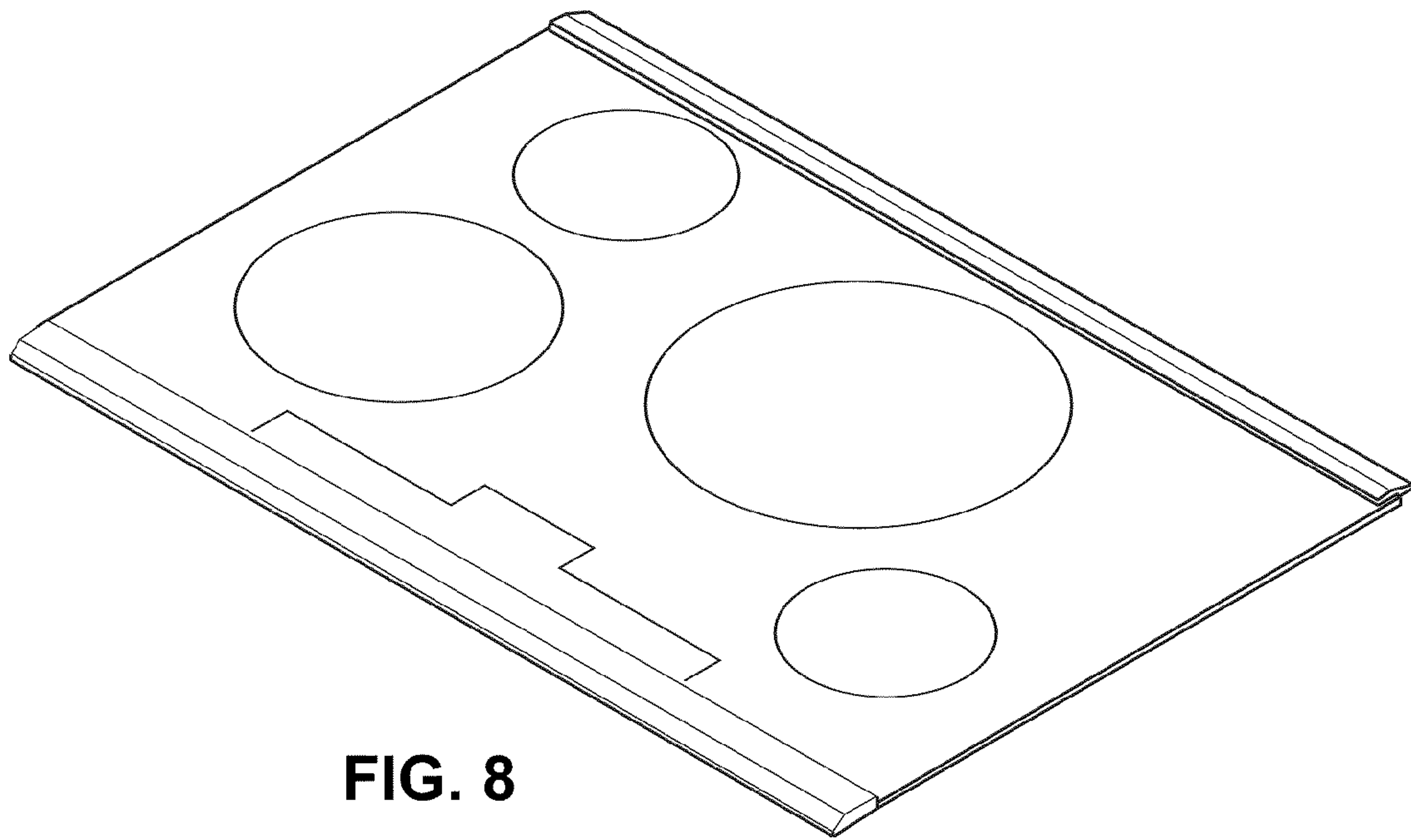


FIG. 8

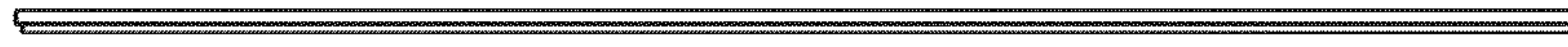


FIG. 11

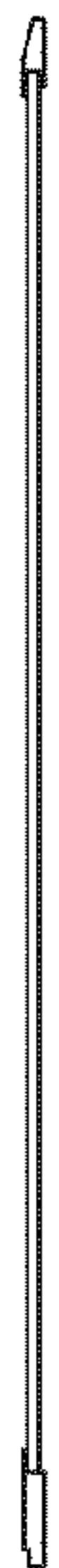


FIG. 9



FIG. 10



FIG. 12