



US00D655562S

(12) **United States Design Patent**
Schenk

(10) **Patent No.:** **US D655,562 S**
(45) **Date of Patent:** **** Mar. 13, 2012**

(54) **PORTABLE BEVERAGE DISPENSER WITH
FOUR SPIGOTS AND TWO DIVIDERS**

(76) Inventor: **Jill A. Schenk**, San Diego, CA (US)

(**) Term: **14 Years**

(21) Appl. No.: **29/379,873**

(22) Filed: **Nov. 24, 2010**

(51) **LOC (9) Cl.** **07-01**

(52) **U.S. Cl.** **D7/307; D7/308; D7/313**

(58) **Field of Classification Search** D7/313,
D7/306-311, 312, 300; 99/291, 316; 222/153.03,
222/146.1, 146.6, 129.1; 220/524

See application file for complete search history.

(56) **References Cited**

U.S. PATENT DOCUMENTS

2,408,704	A	10/1946	Taylor	
3,367,133	A	2/1968	Dreis et al.	
3,547,303	A *	12/1970	Mascia et al.	220/524
3,910,461	A *	10/1975	Eager	222/131
4,288,006	A *	9/1981	Clover, Jr.	222/42
4,629,096	A	12/1986	Schroer et al.	
4,779,426	A	10/1988	Desrosiers	
D313,330	S	1/1991	Brusa	
5,101,997	A *	4/1992	Bagwell et al.	220/23.4
5,228,591	A *	7/1993	Jones	220/528
6,382,452	B1 *	5/2002	Getachew et al.	220/524
D491,408	S	6/2004	Clark et al.	
D528,344	S *	9/2006	Mika et al.	D7/307
D530,141	S *	10/2006	Wilgus et al.	D7/313

7,350,671	B2 *	4/2008	Mika et al.	222/129
D593,353	S *	6/2009	Hoffman et al.	D7/306
D610,856	S *	3/2010	Hoffman et al.	D7/306
D612,658	S *	3/2010	Schenk	D7/307
2002/0040585	A1	4/2002	Chaney	
2005/0028550	A1	2/2005	Crettet, IV	
2006/0113324	A1	6/2006	Rudesill et al.	

* cited by examiner

Primary Examiner — Marianne Pandozzi

(57) **CLAIM**

The ornamental design for a portable beverage dispenser with four spigots and two dividers, as shown and described.

DESCRIPTION

FIG. 1 is an exploded top perspective view of a portable beverage dispenser with four spigots and two dividers showing my new design;

FIG. 2 is an exploded side elevational view thereof (the opposite side elevation being a mirror image thereof);

FIG. 3 is an exploded front elevational view thereof (the rear elevation being a mirror image thereof);

FIG. 4 is an exploded top plan view thereof;

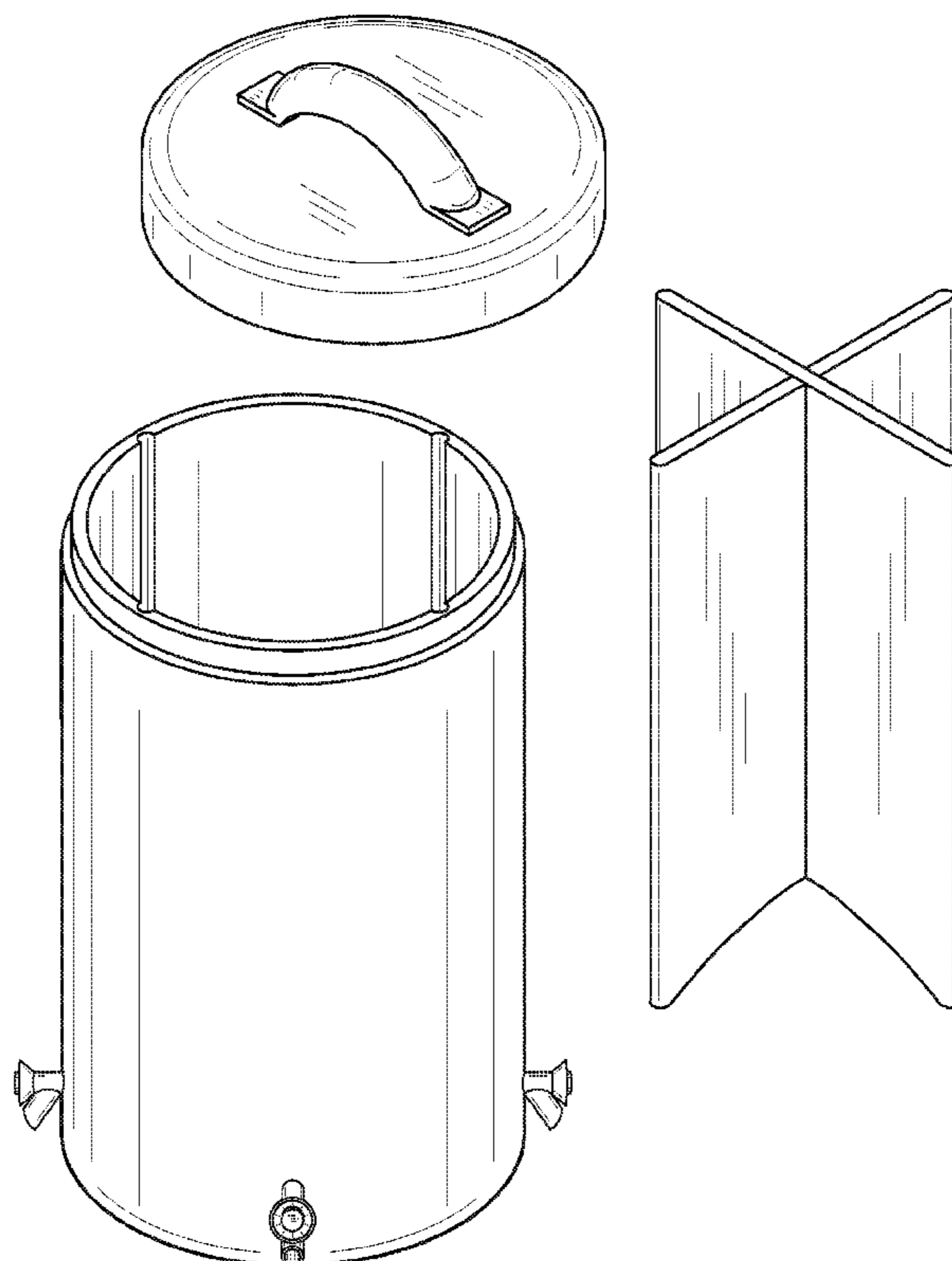
FIG. 5 is an exploded bottom plan view thereof;

FIG. 6 is an exploded top perspective view with the dividers inside;

FIG. 7 is an exploded top perspective view with the dividers removed and separated; and,

FIG. 8 is an exploded enlarged sectional view taken along line 8-8 of FIG. 6.

1 Claim, 8 Drawing Sheets



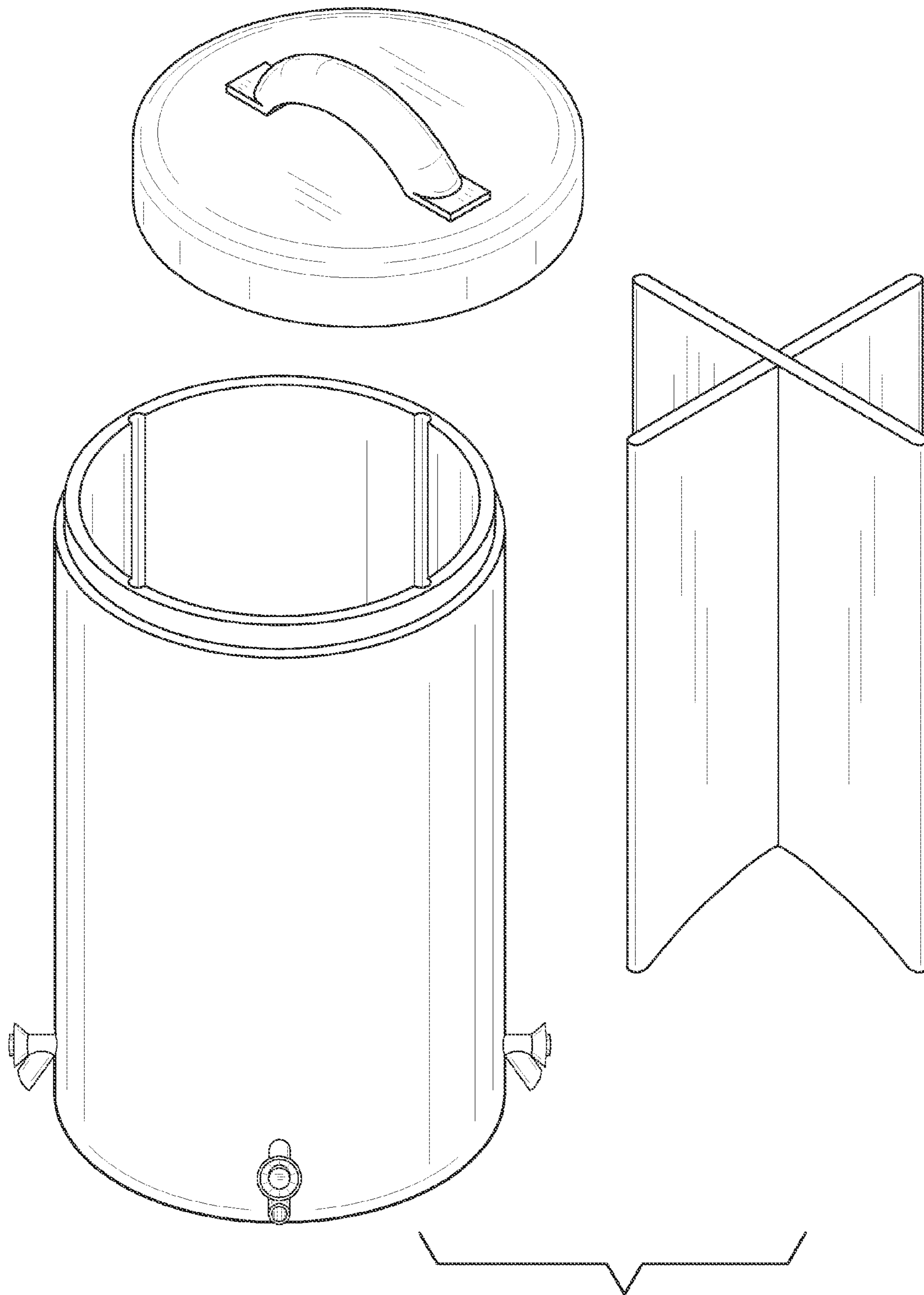


FIG. 1

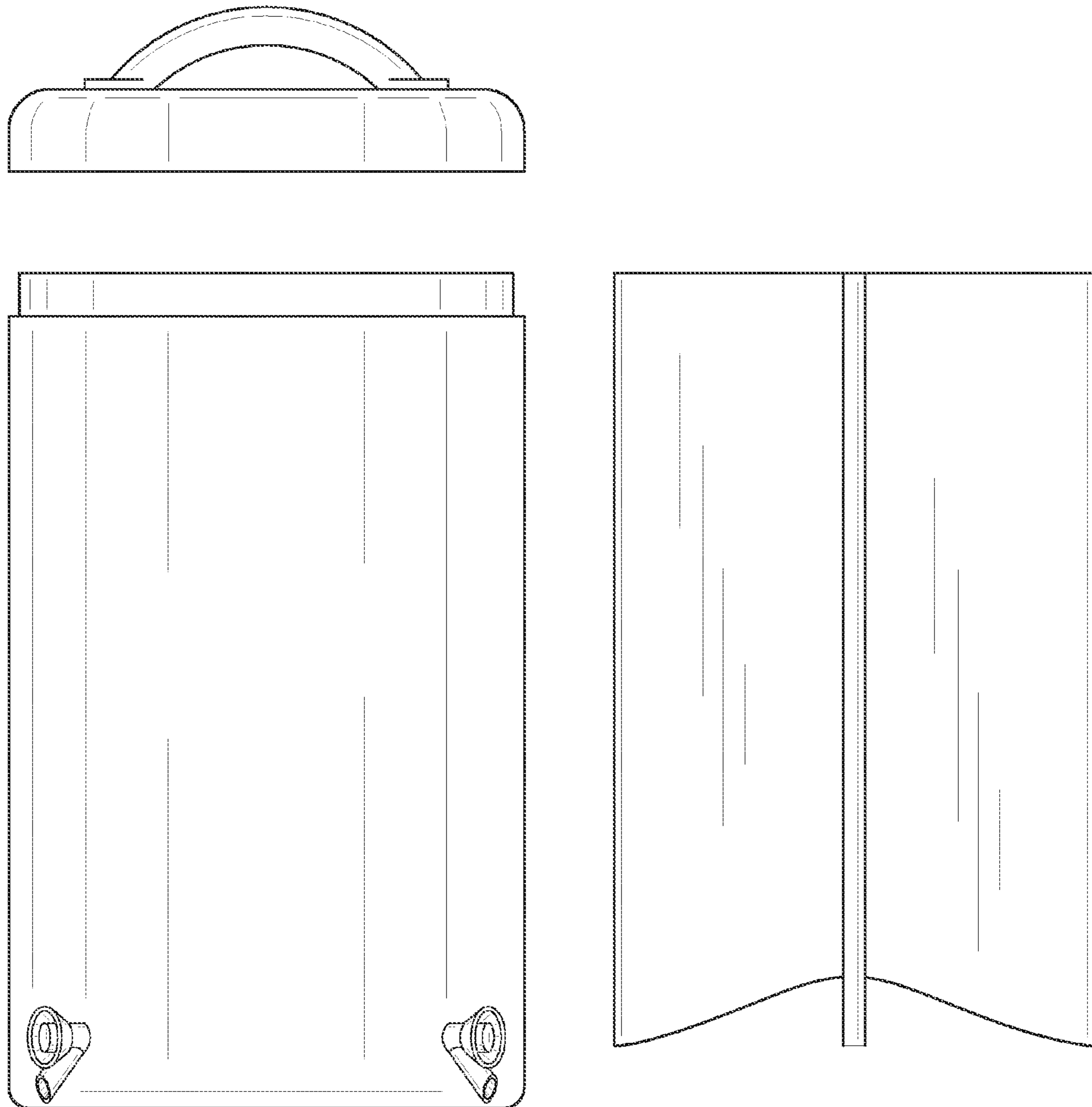


FIG. 2

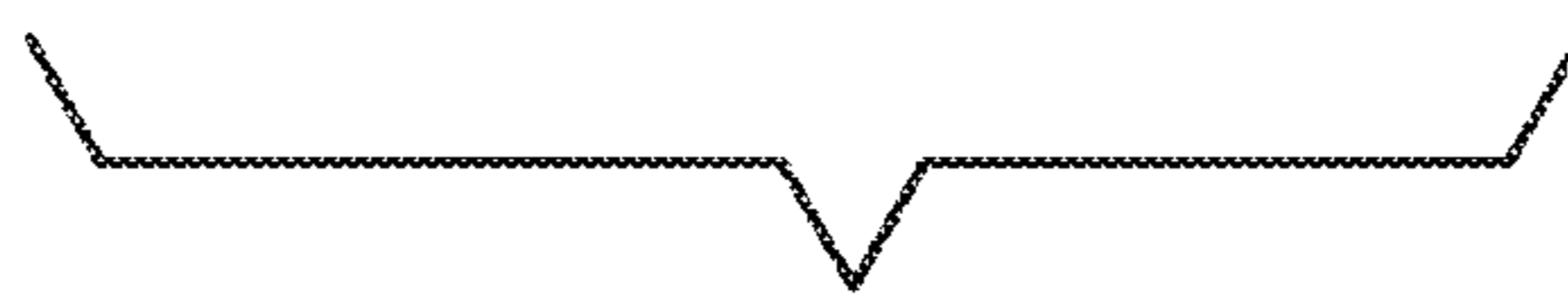
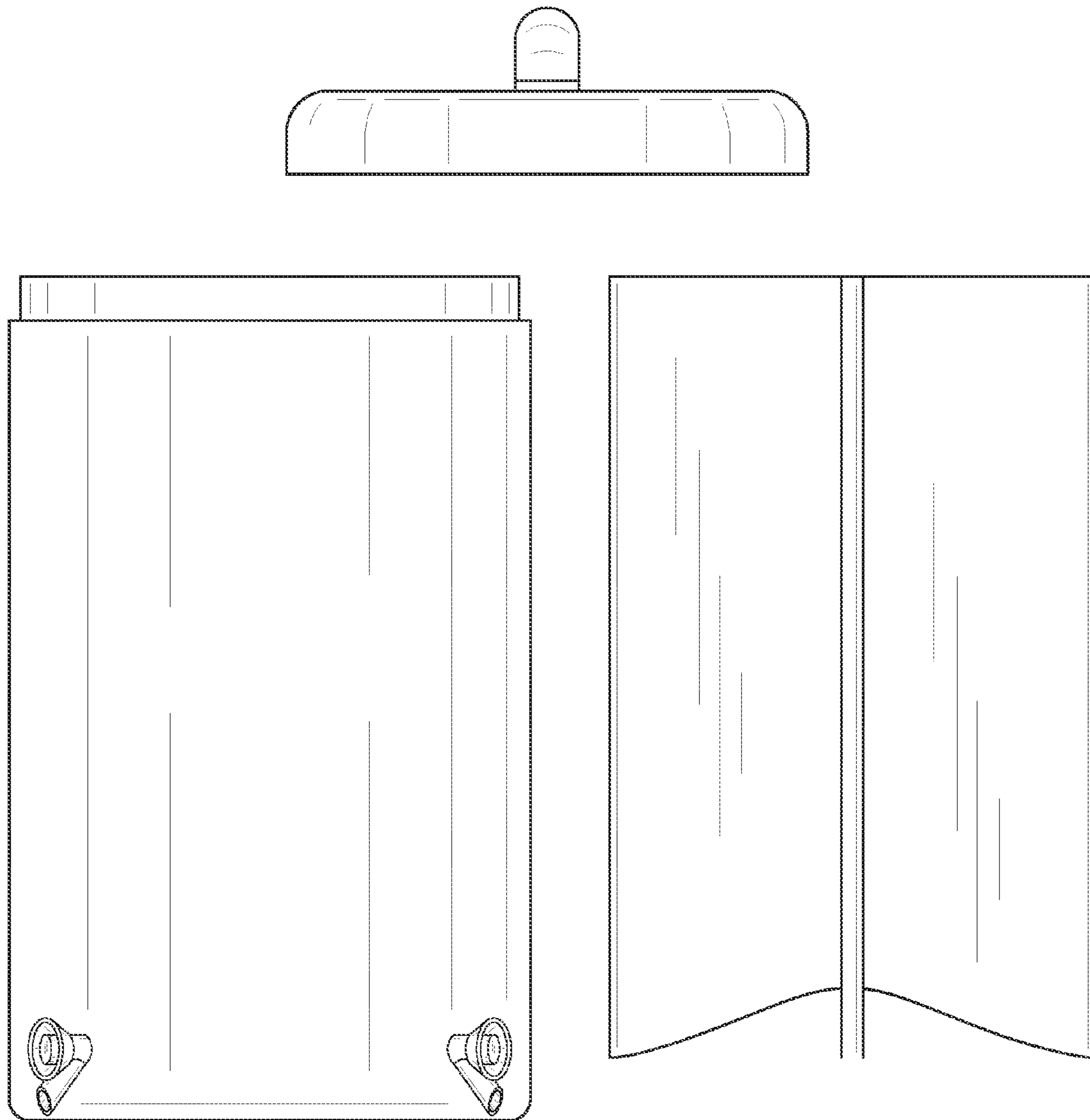


FIG. 3

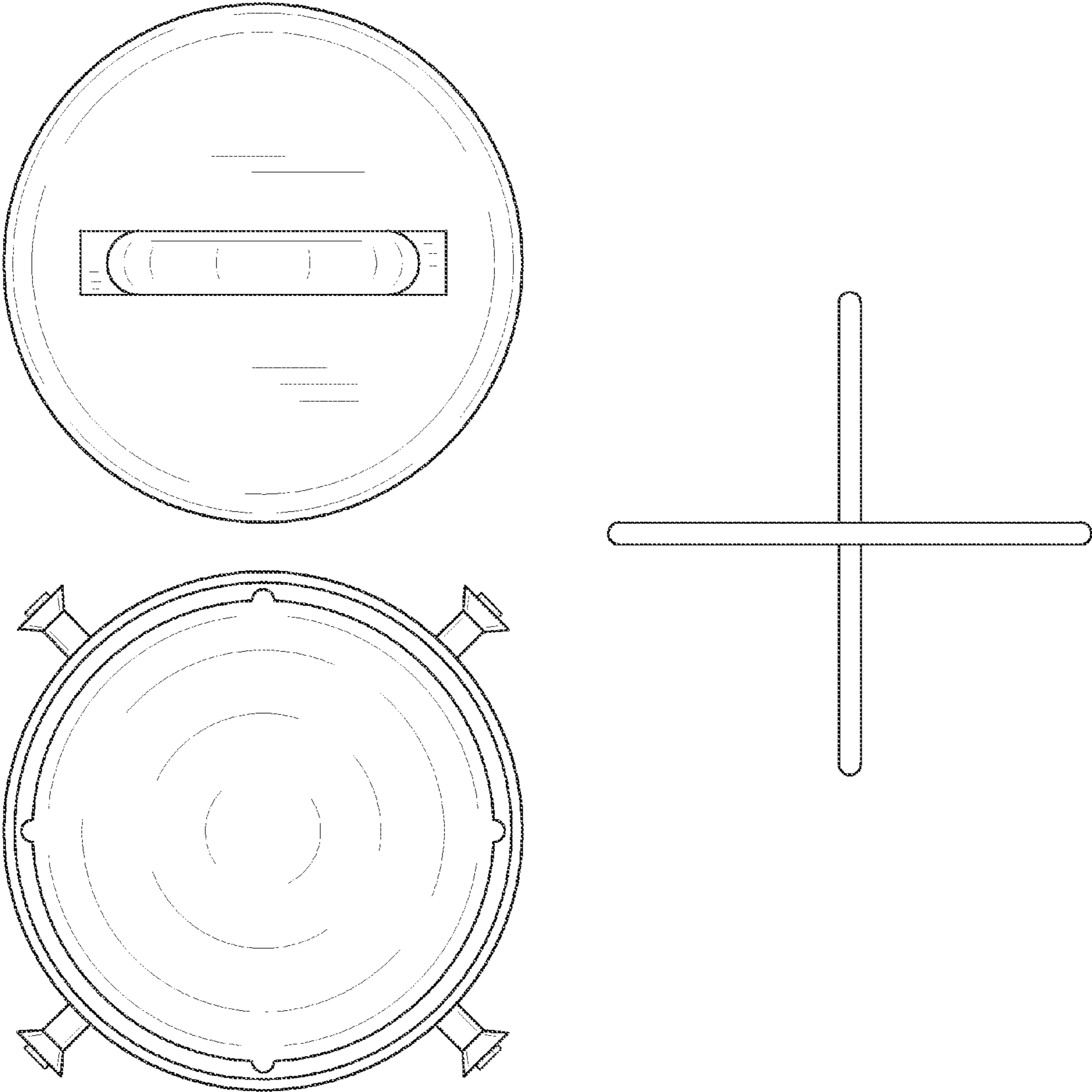


FIG. 4

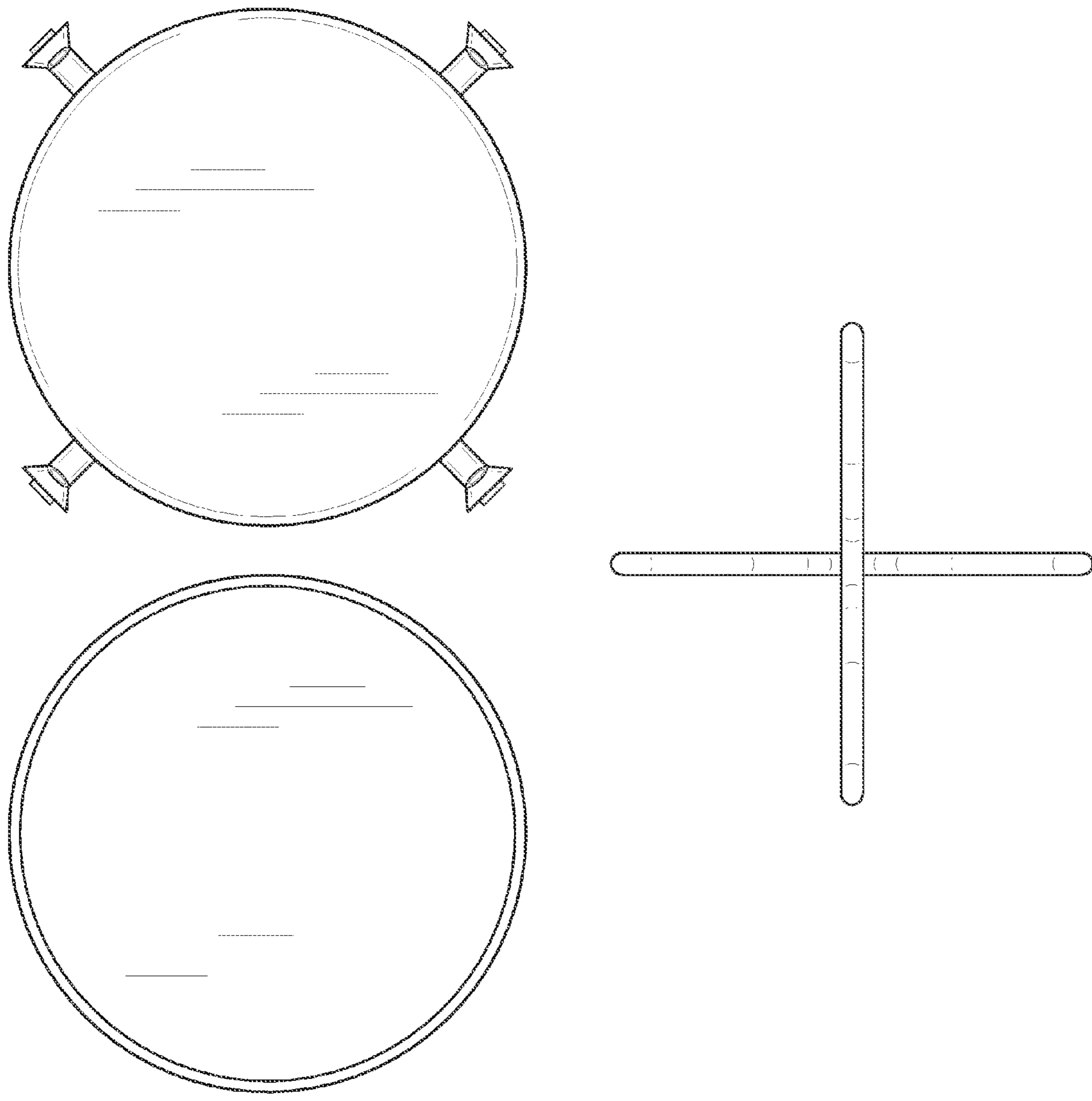
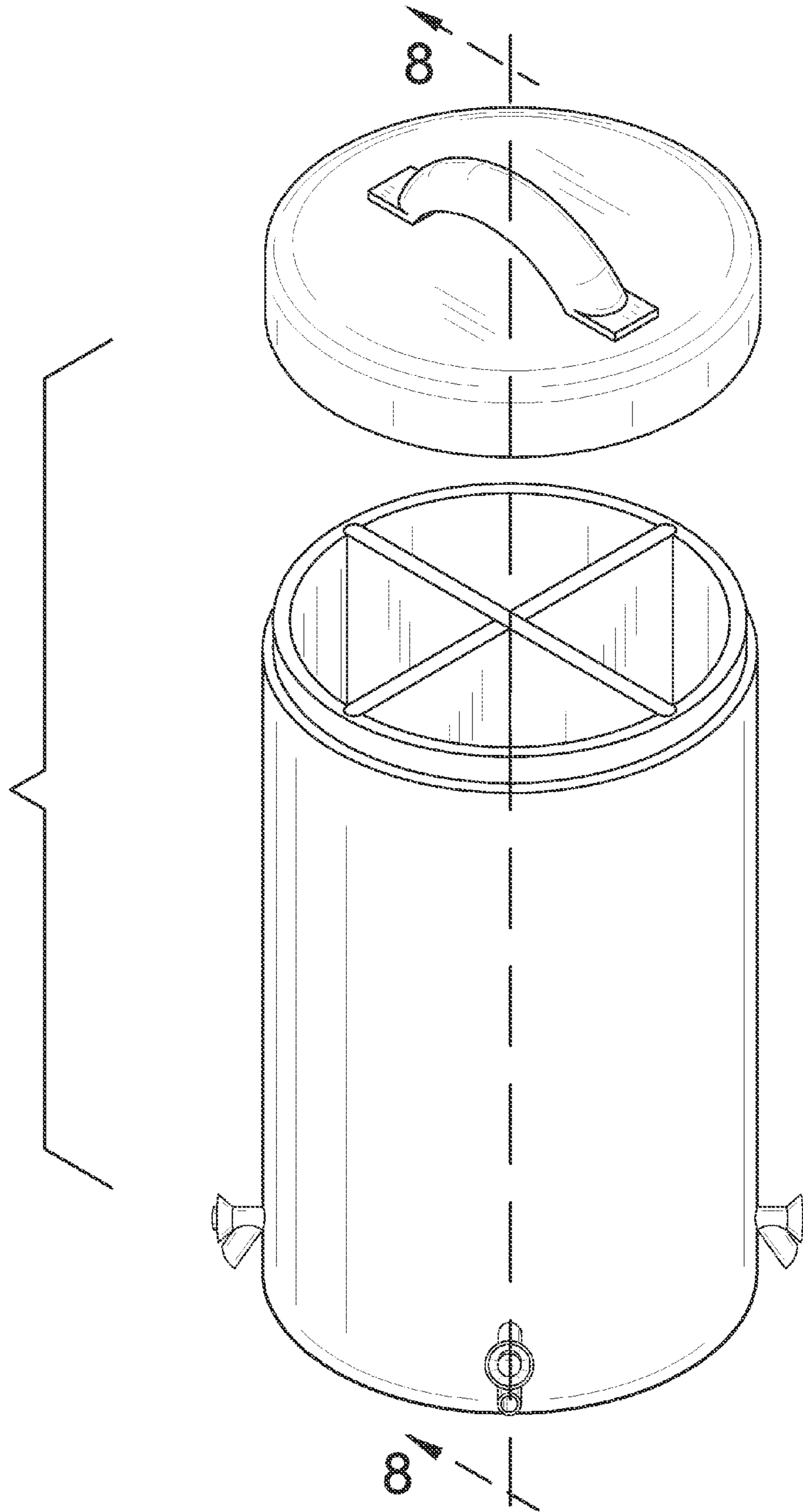


FIG. 5

FIG. 6



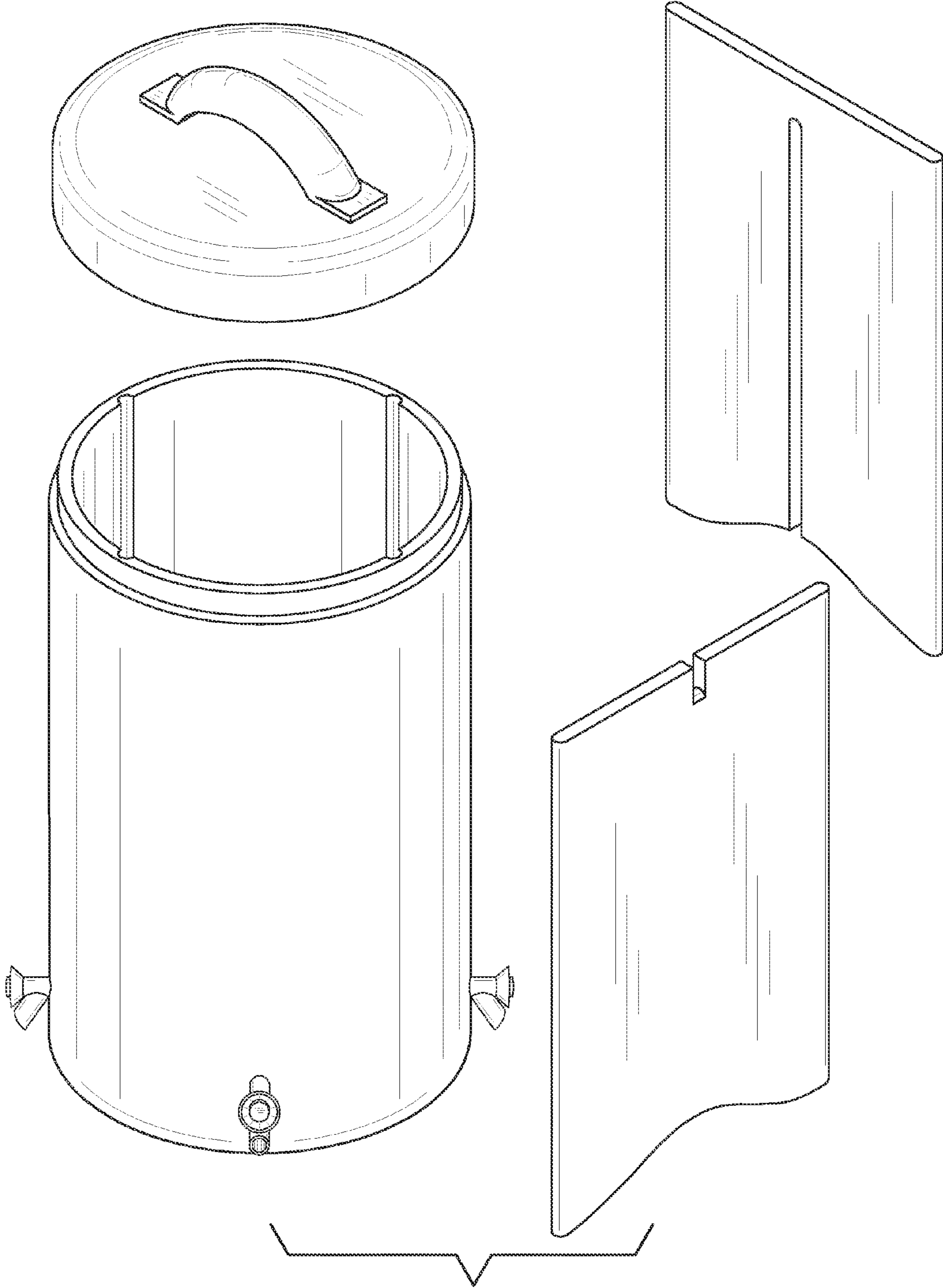


FIG. 7

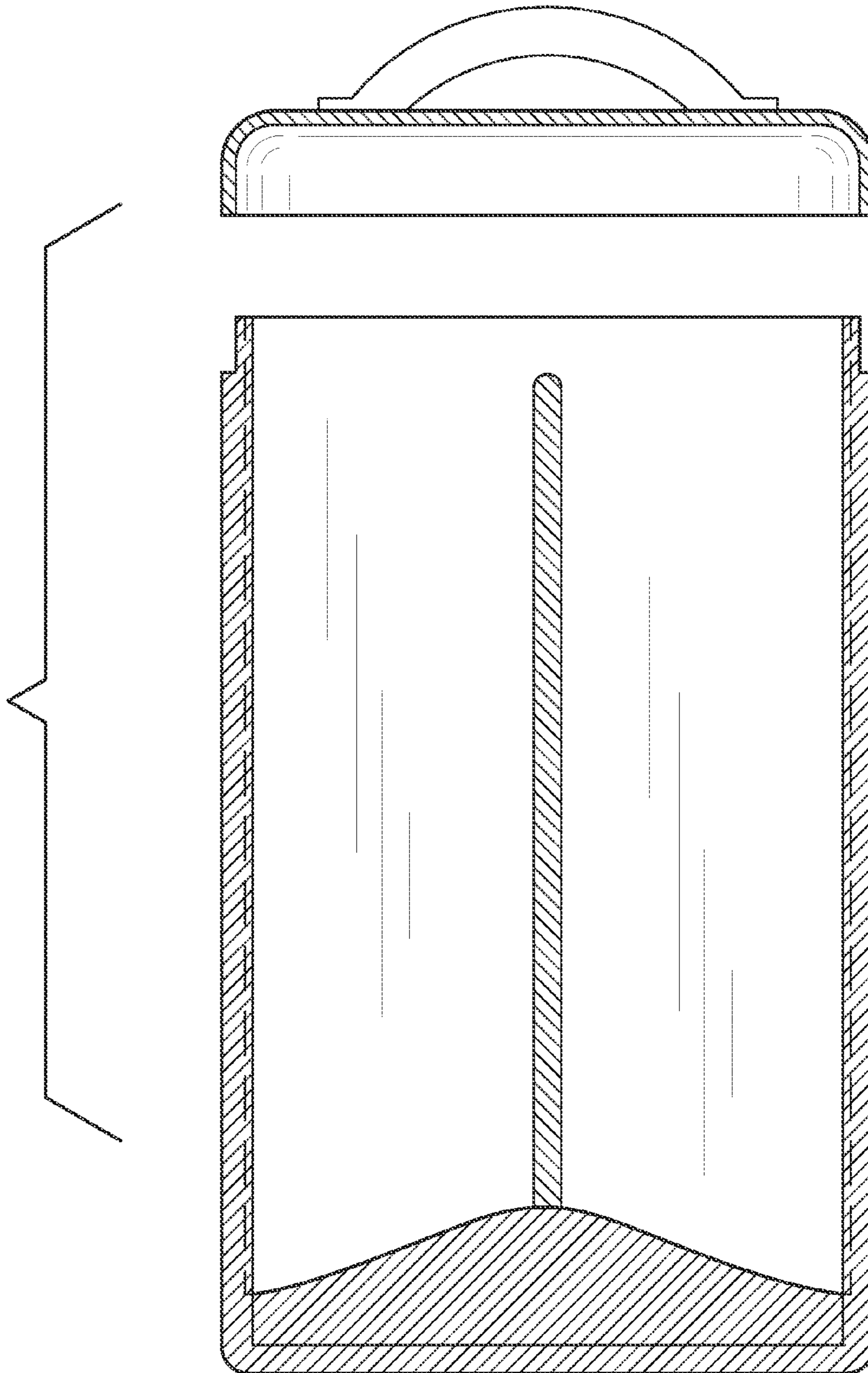


FIG. 8