



US00D655561S

(12) **United States Design Patent**  
**Wang**

(10) **Patent No.:** **US D655,561 S**  
(45) **Date of Patent:** **\*\* \*Mar. 13, 2012**

- (54) **COUNTERTOP LIQUID COOLER**
- (75) Inventor: **Chun Yen Wang**, El Paso, TX (US)
- (73) Assignee: **MTN Products, Inc.**, LaVerne, CA (US)
- (\*) Notice: This patent is subject to a terminal disclaimer.
- (\*\*) Term: **14 Years**
- (21) Appl. No.: **29/377,140**
- (22) Filed: **Oct. 18, 2010**
- (51) **LOC (9) Cl.** ..... **07-01**
- (52) **U.S. Cl.** ..... **D7/306; D7/313; D7/311**
- (58) **Field of Classification Search** ..... **D7/306-311, D7/305, 313, 312; 99/295, 279, 301**  
See application file for complete search history.

(56) **References Cited**

**U.S. PATENT DOCUMENTS**

D419,362 S *	1/2000	Bouhuys	.....	D7/306
D443,792 S *	6/2001	Peters et al.	.....	D7/306
D511,922 S *	11/2005	Bell et al.	.....	D7/309
D513,572 S *	1/2006	Schaffeld et al.	.....	D7/309
D515,347 S *	2/2006	Reuss et al.	.....	D7/309
D518,677 S *	4/2006	Van Berlo	.....	D7/306
D555,967 S *	11/2007	Rasmussen	.....	D7/306
D563,142 S *	3/2008	Kauer	.....	D7/306
D581,196 S *	11/2008	Kassenaar	.....	D7/306
D597,368 S *	8/2009	Steiner	.....	D7/309
D602,301 S *	10/2009	Romandy	.....	D7/306
D605,454 S *	12/2009	Nicolini	.....	D7/306
D618,950 S *	7/2010	Jaffe et al.	.....	D7/306
D623,886 S *	9/2010	Wadher	.....	D7/309

**OTHER PUBLICATIONS**

<http://www.oasiscoolers.com/products/B1CCTHS/OnyxBrochure.pdf>.  
<http://www.crystalcoolers.com/North%20America/English/products.aspx>.

<http://www.charm.com.tw/water.htm>.  
<http://www.igodirect.net/photos.php>.  
<http://www.mistralcoolers.com/index.php?th=155>.  
<http://www.waterfilters.com/ion-water-cooler-p-259.html>.  
[http://www.greenwayhp.com/index.php/water\\_dispensers/category\\_list/category/countertop/](http://www.greenwayhp.com/index.php/water_dispensers/category_list/category/countertop/).  
<http://sipwell.com/en/water-coolers/index.php>.  
[http://www.naturalchoicewater.com/downloads/ION\\_Brochure.pdf](http://www.naturalchoicewater.com/downloads/ION_Brochure.pdf).

\* cited by examiner

*Primary Examiner* — Marianne Pandozzi

(74) *Attorney, Agent, or Firm* — Michael P. Mazza LLC

(57) **CLAIM**

The ornamental design for a countertop liquid cooler, as shown and described.

**DESCRIPTION**

FIG. 1 is a front, side perspective view of a countertop liquid cooler showing a first embodiment of my new design;  
 FIG. 2 is a front elevational view thereof;  
 FIG. 3 is a right side elevational view thereof;  
 FIG. 4 is a rear elevational view thereof;  
 FIG. 5 is a left side elevational view thereof;  
 FIG. 6 is a top plan view thereof;  
 FIG. 7 is a bottom plan view thereof;  
 FIG. 8 is an in use top perspective view thereof;  
 FIG. 9 is an in use front elevational view thereof;  
 FIG. 10 is a front, side perspective view of a countertop liquid cooler showing a second embodiment of my new design;  
 FIG. 11 is a front elevational view thereof;  
 FIG. 12 is a right side elevational view thereof;  
 FIG. 13 is a rear elevational view thereof;  
 FIG. 14 is a left side elevational view thereof;  
 FIG. 15 is a top plan view thereof; and,  
 FIG. 16 is a bottom plan view thereof.  
 The broken lines in the drawings are included for the purpose of illustration and forms no part of the claimed design.

**1 Claim, 16 Drawing Sheets**

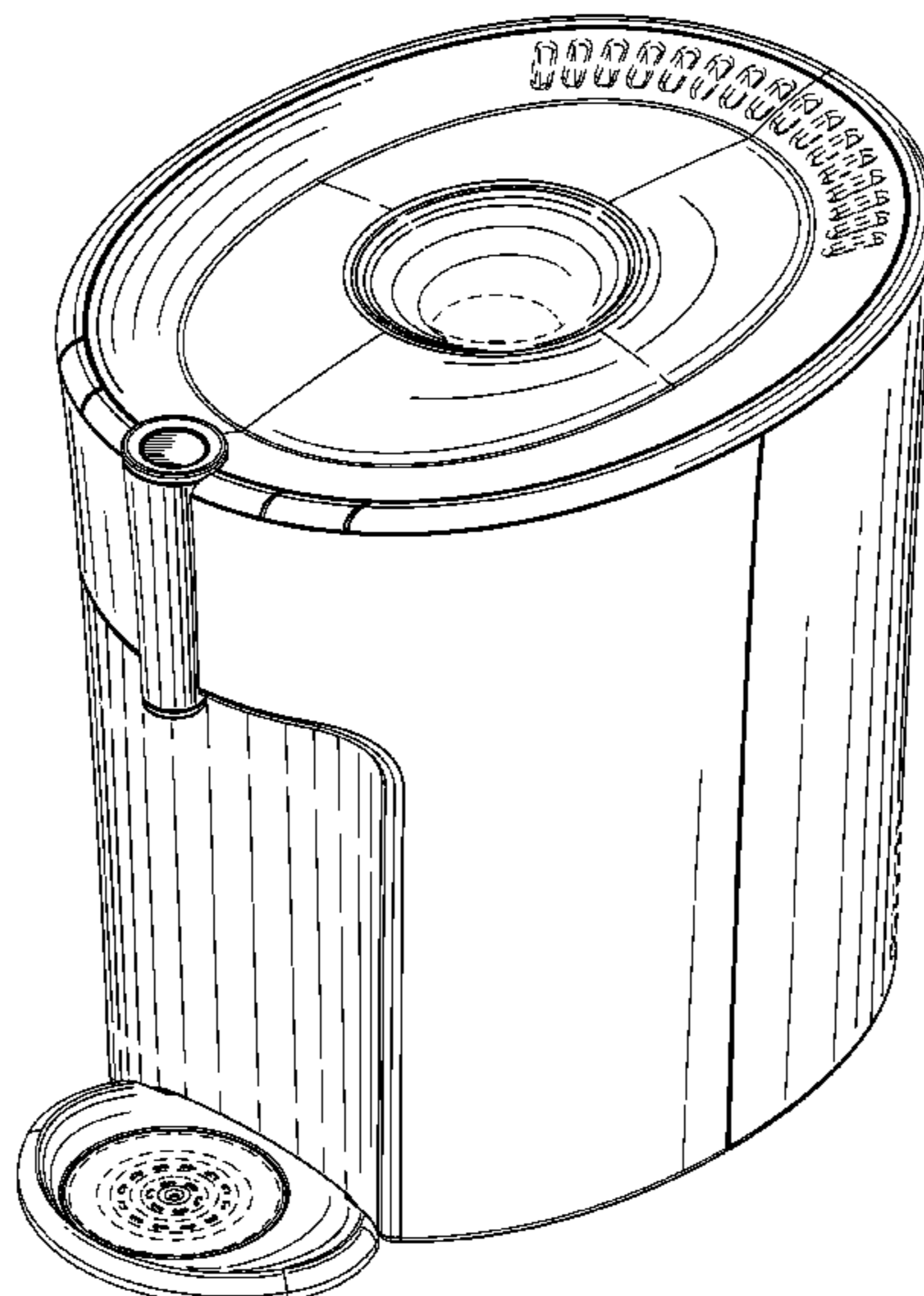


Fig. 1

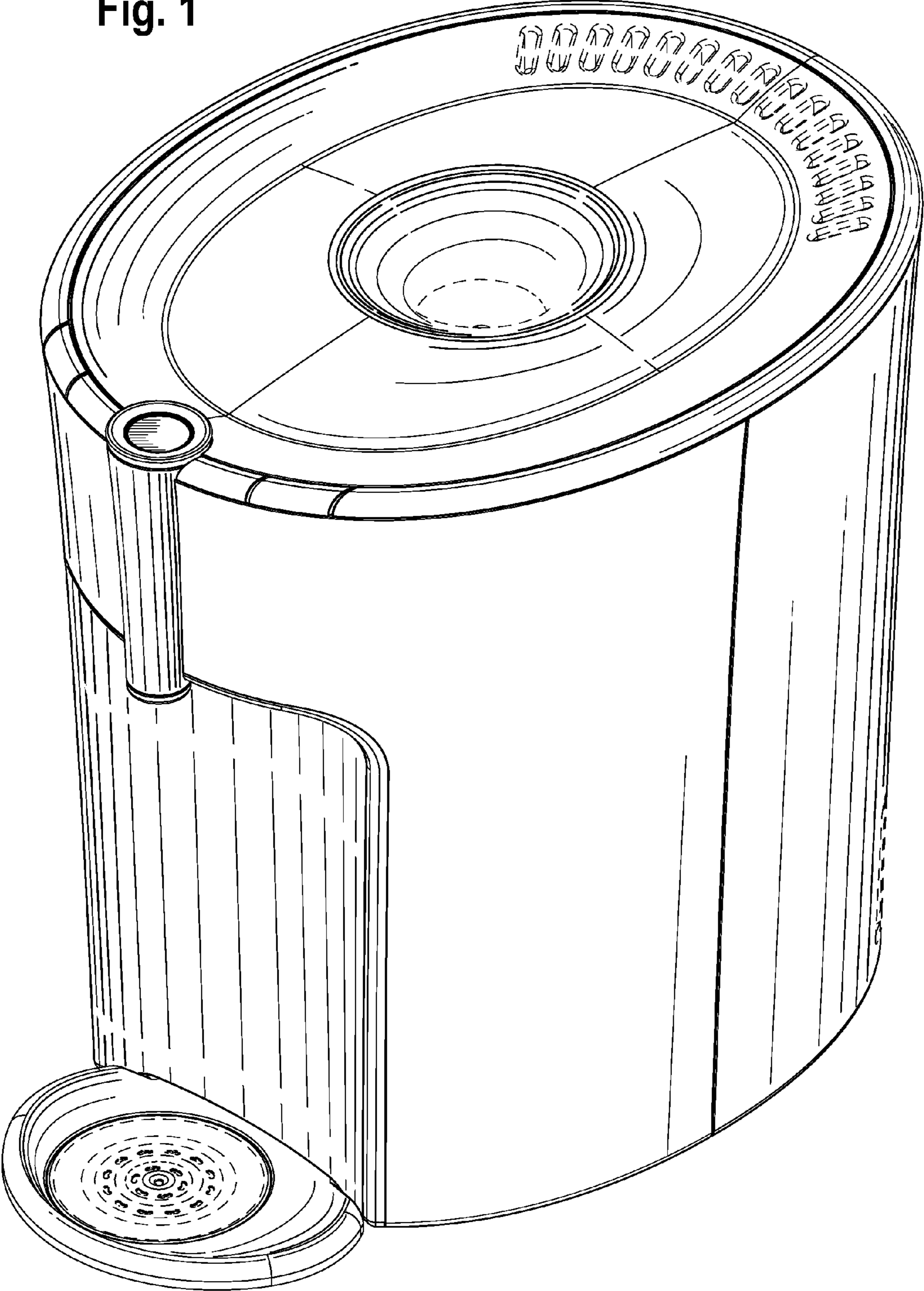
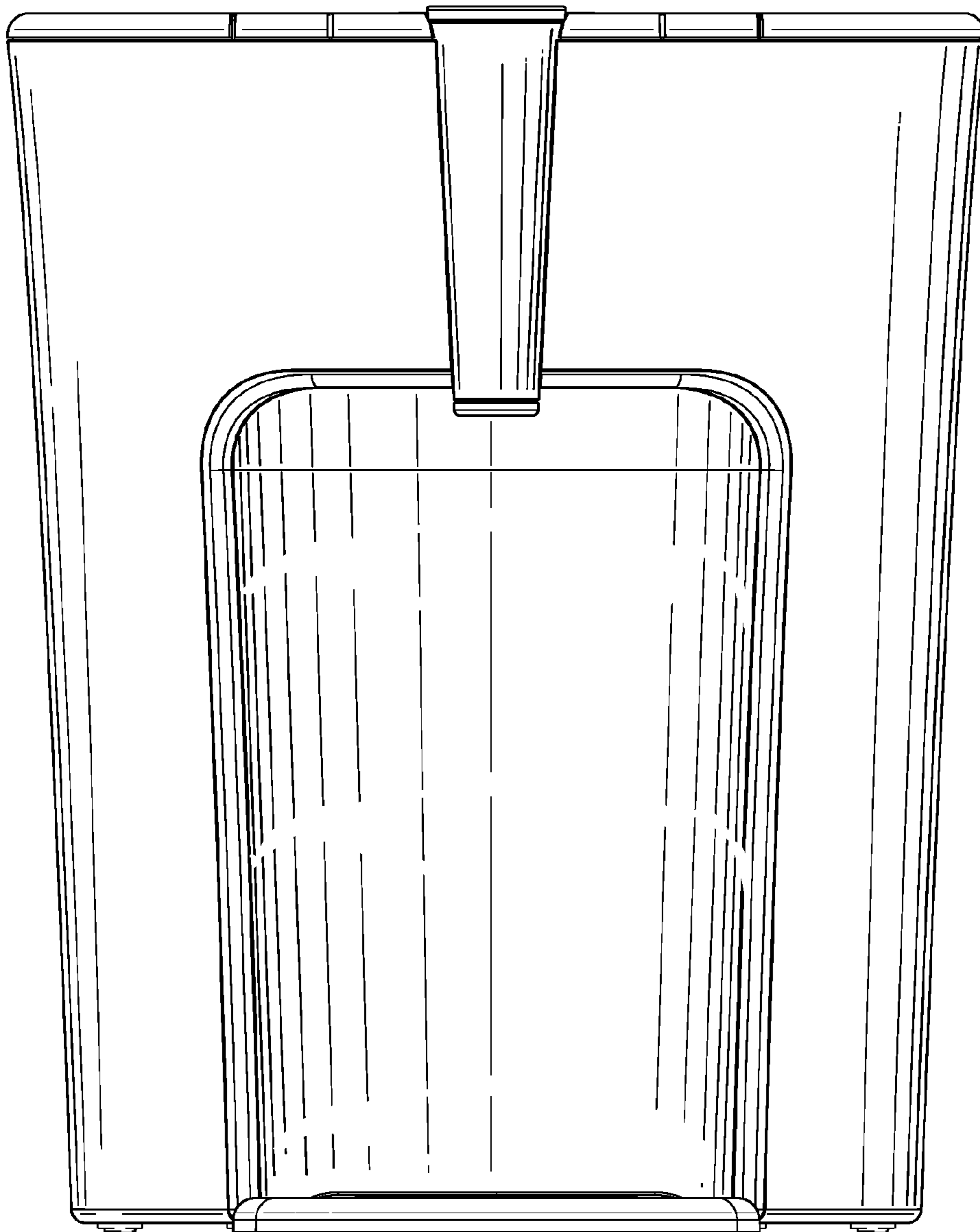


Fig. 2



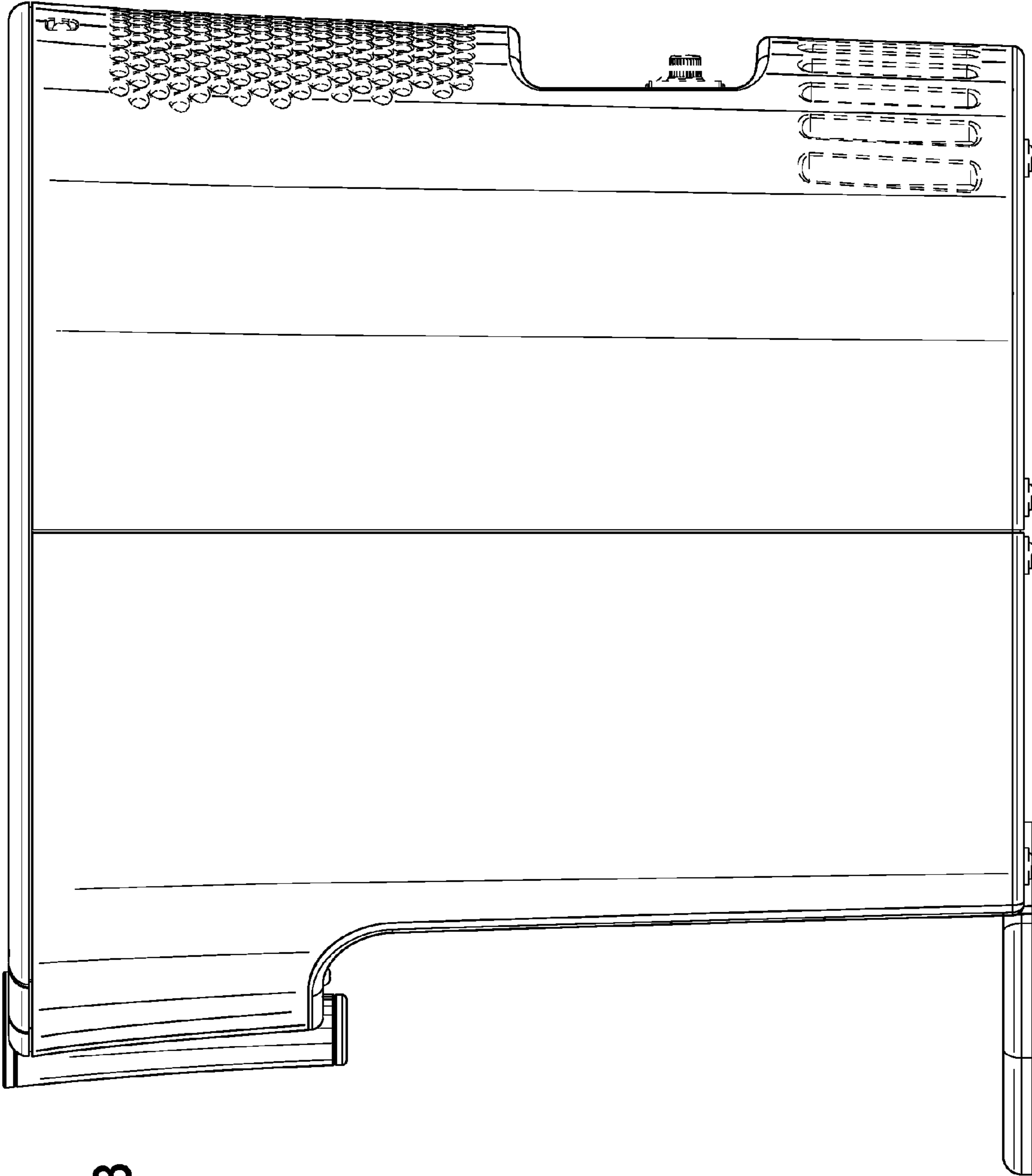
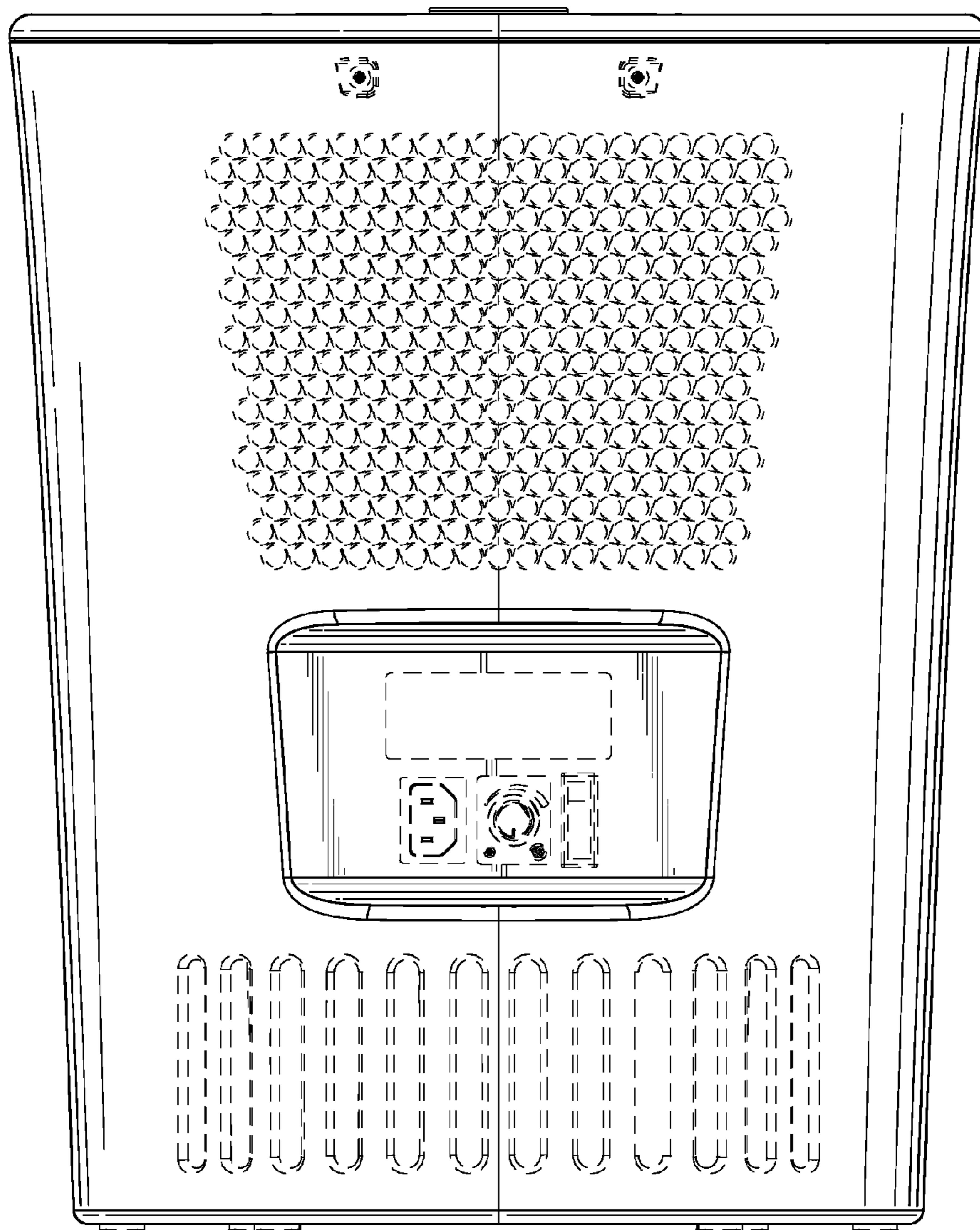


Fig. 3

Fig. 4



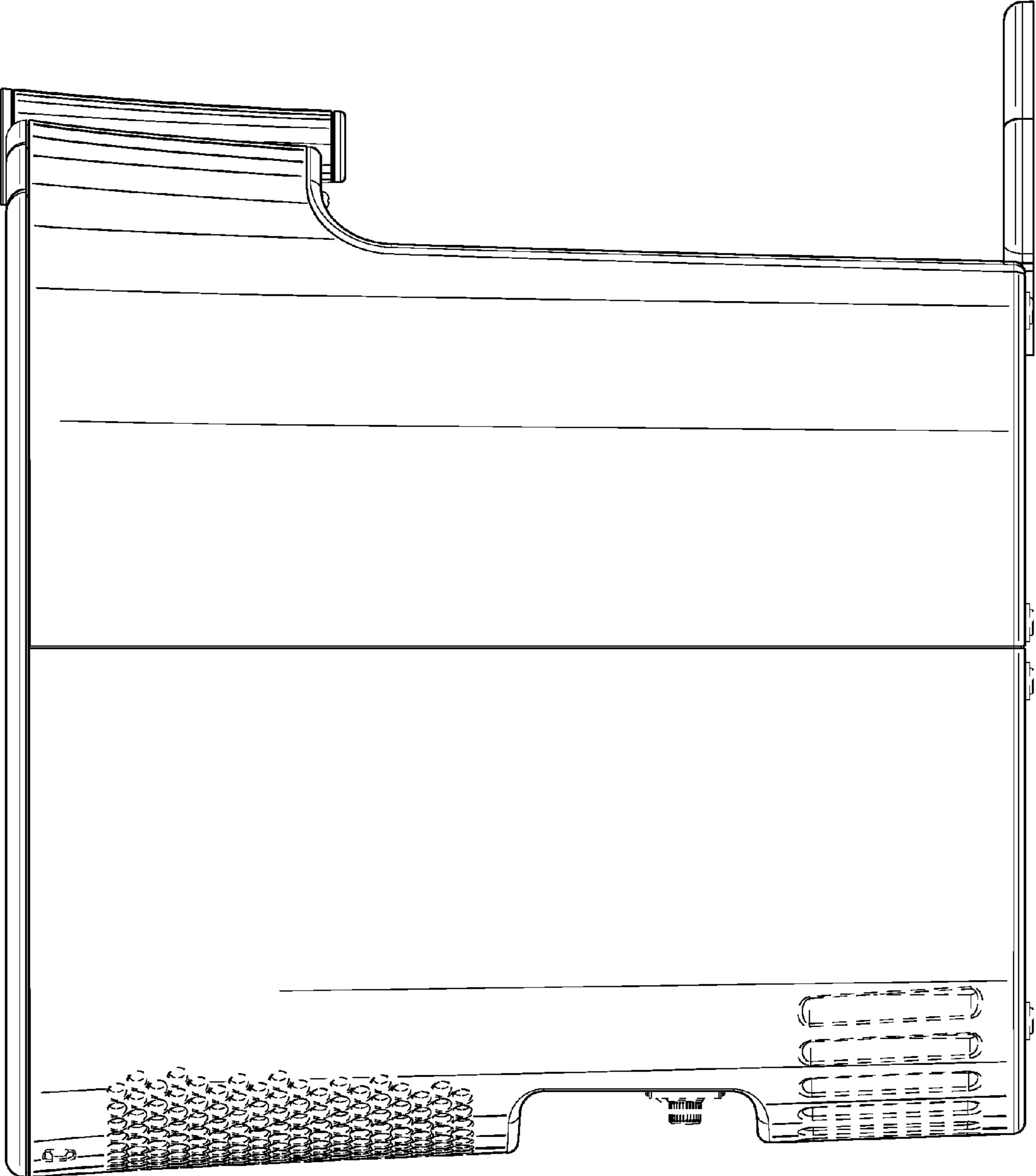


Fig. 5

Fig. 6

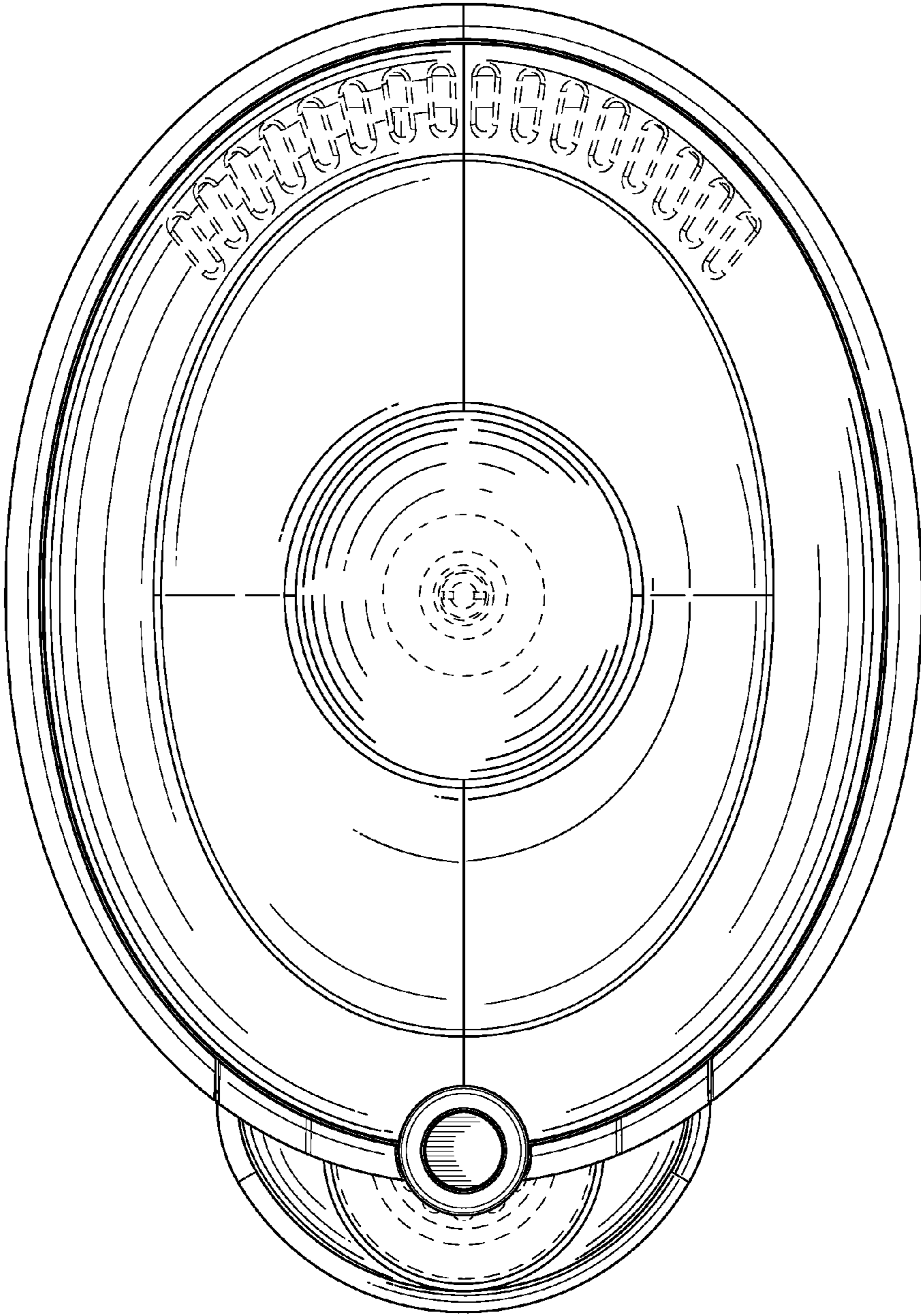


Fig. 7

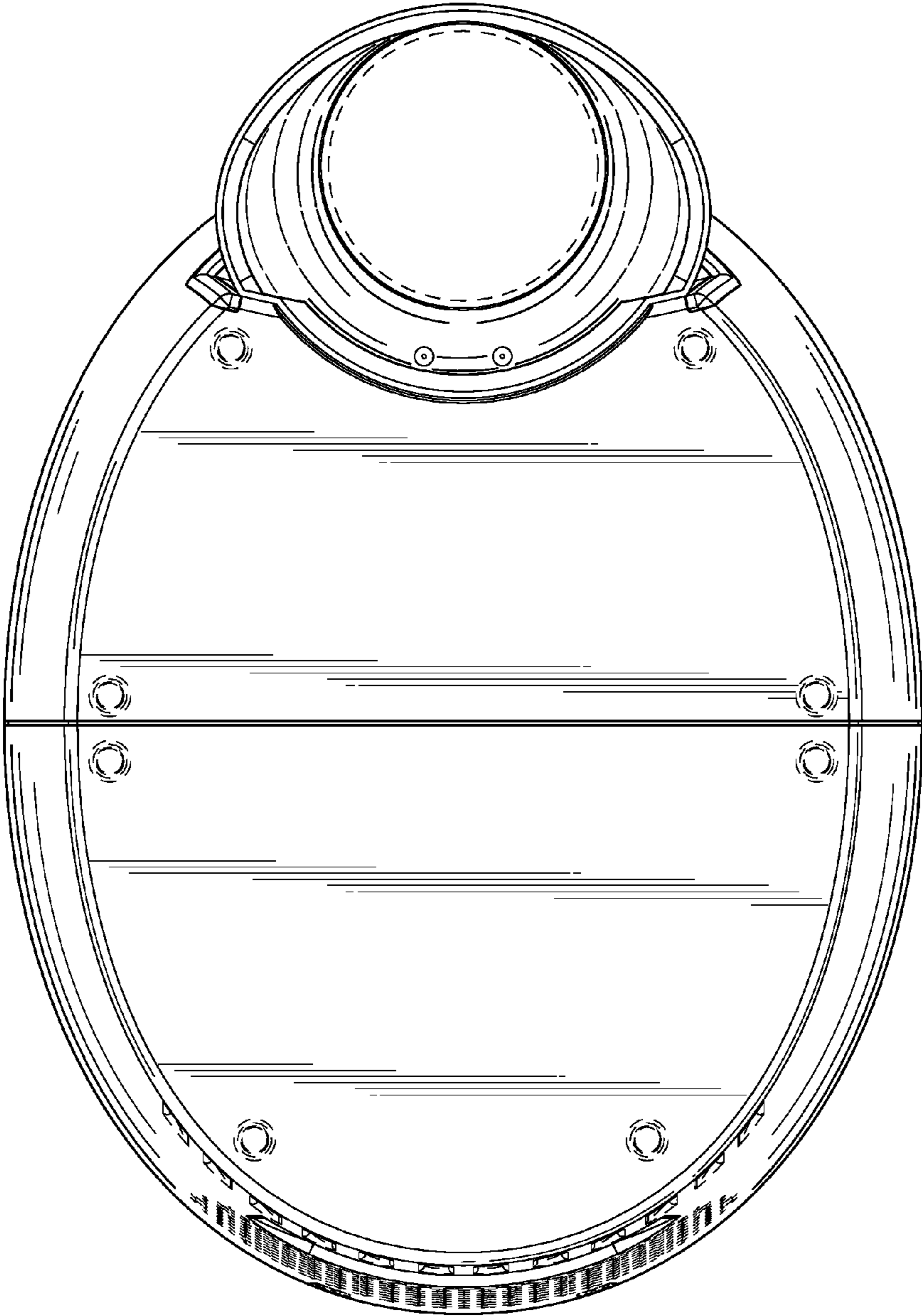




Fig. 8

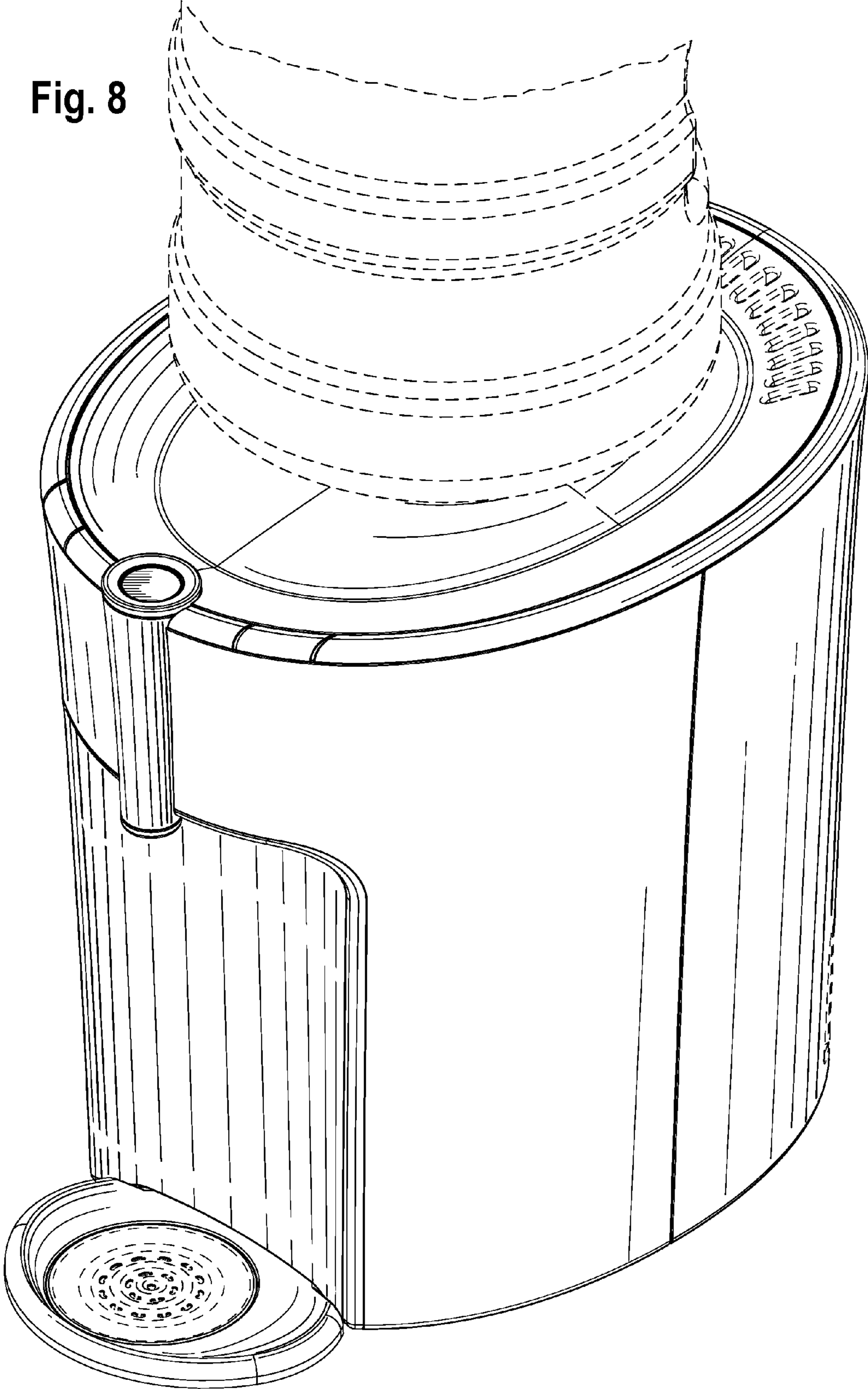


Fig. 9

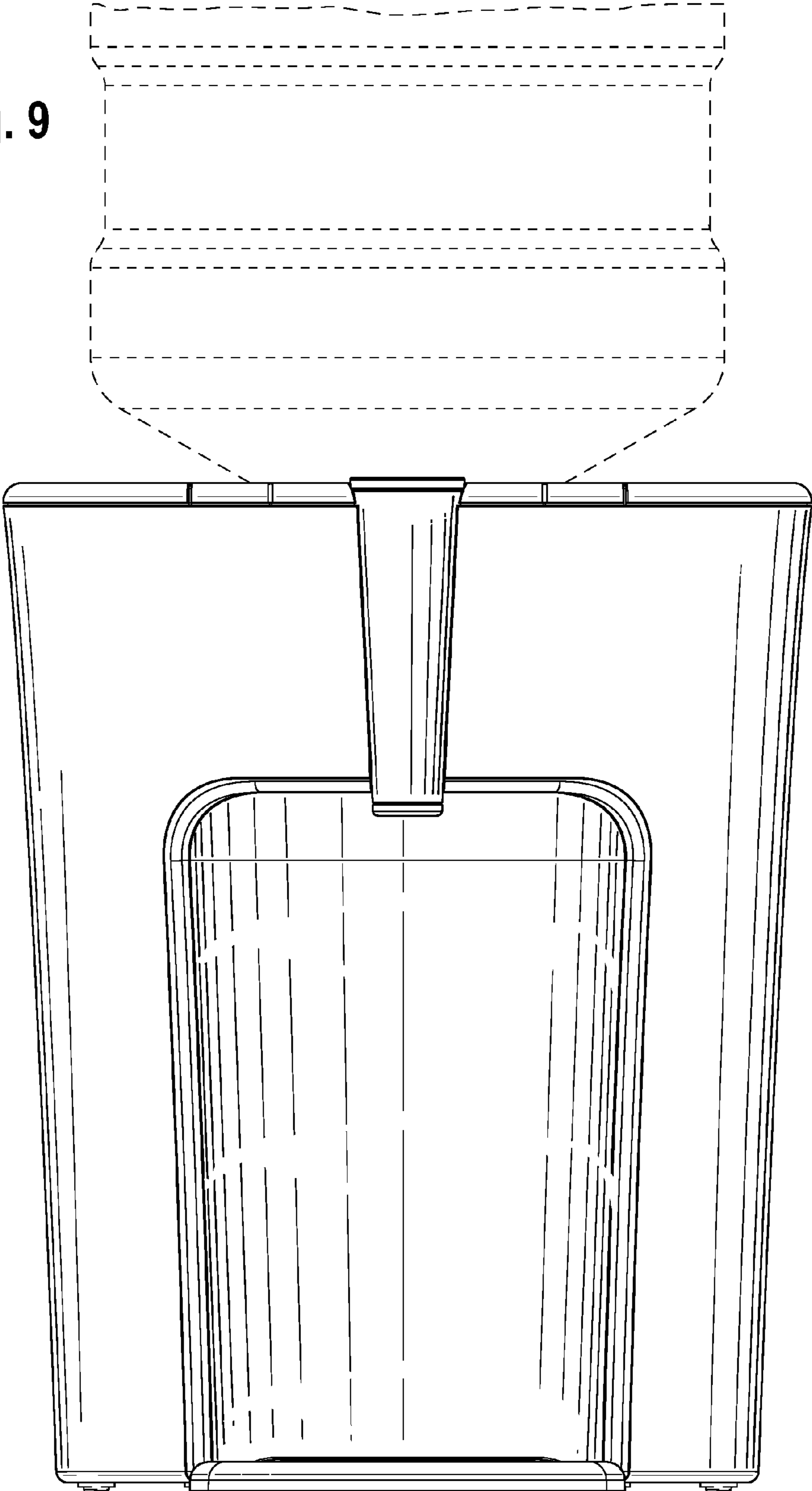


Fig. 10

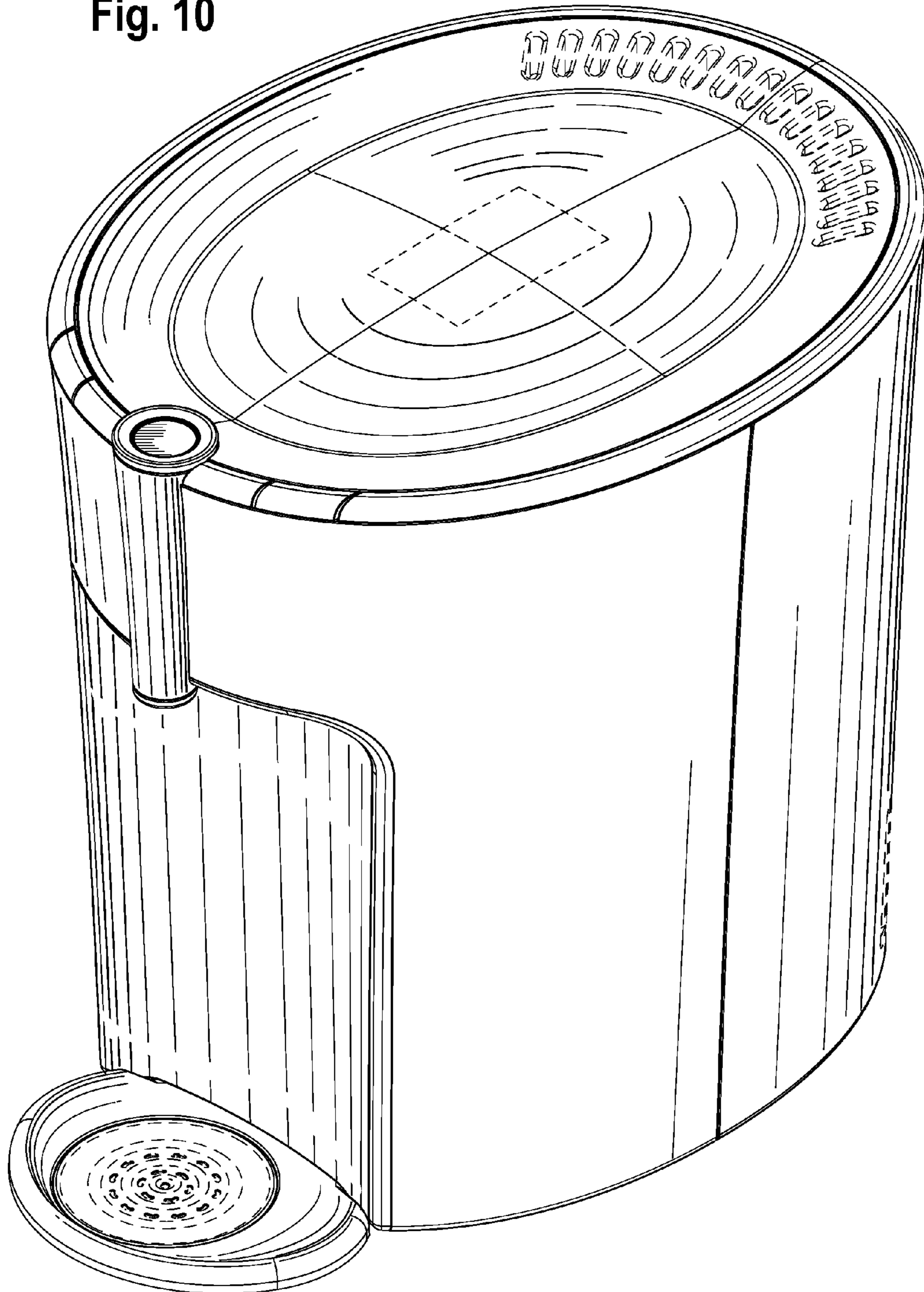
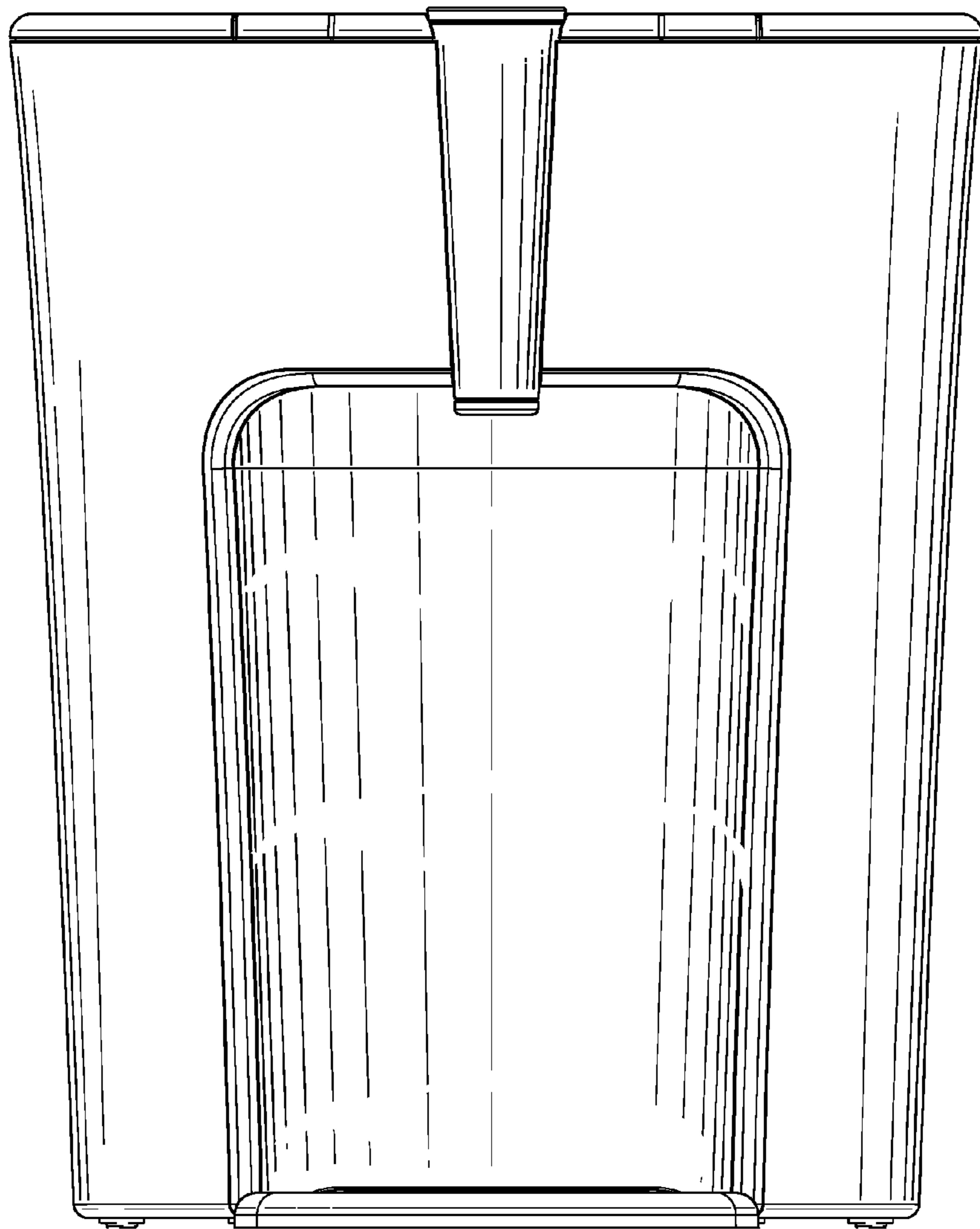


Fig. 11



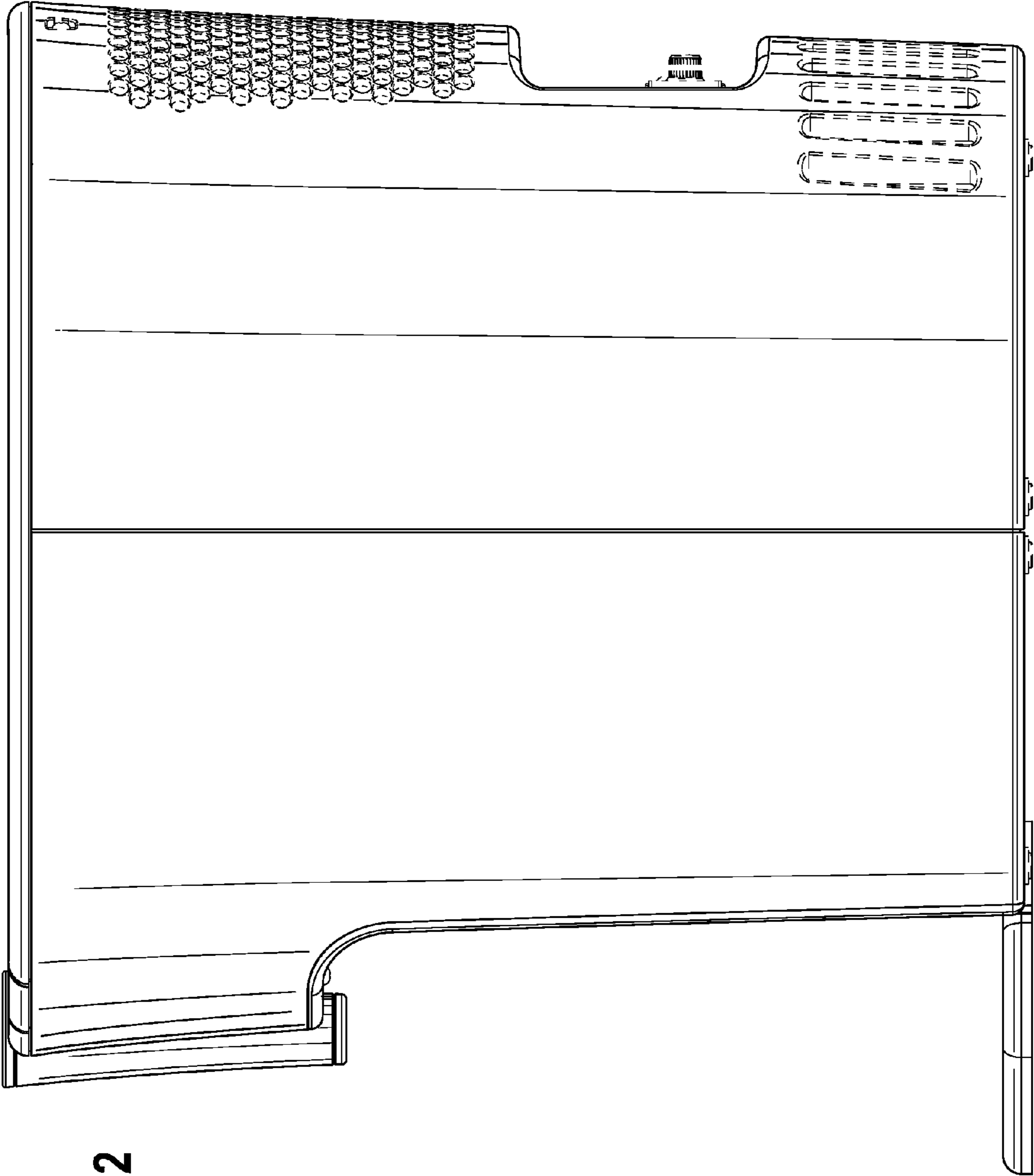
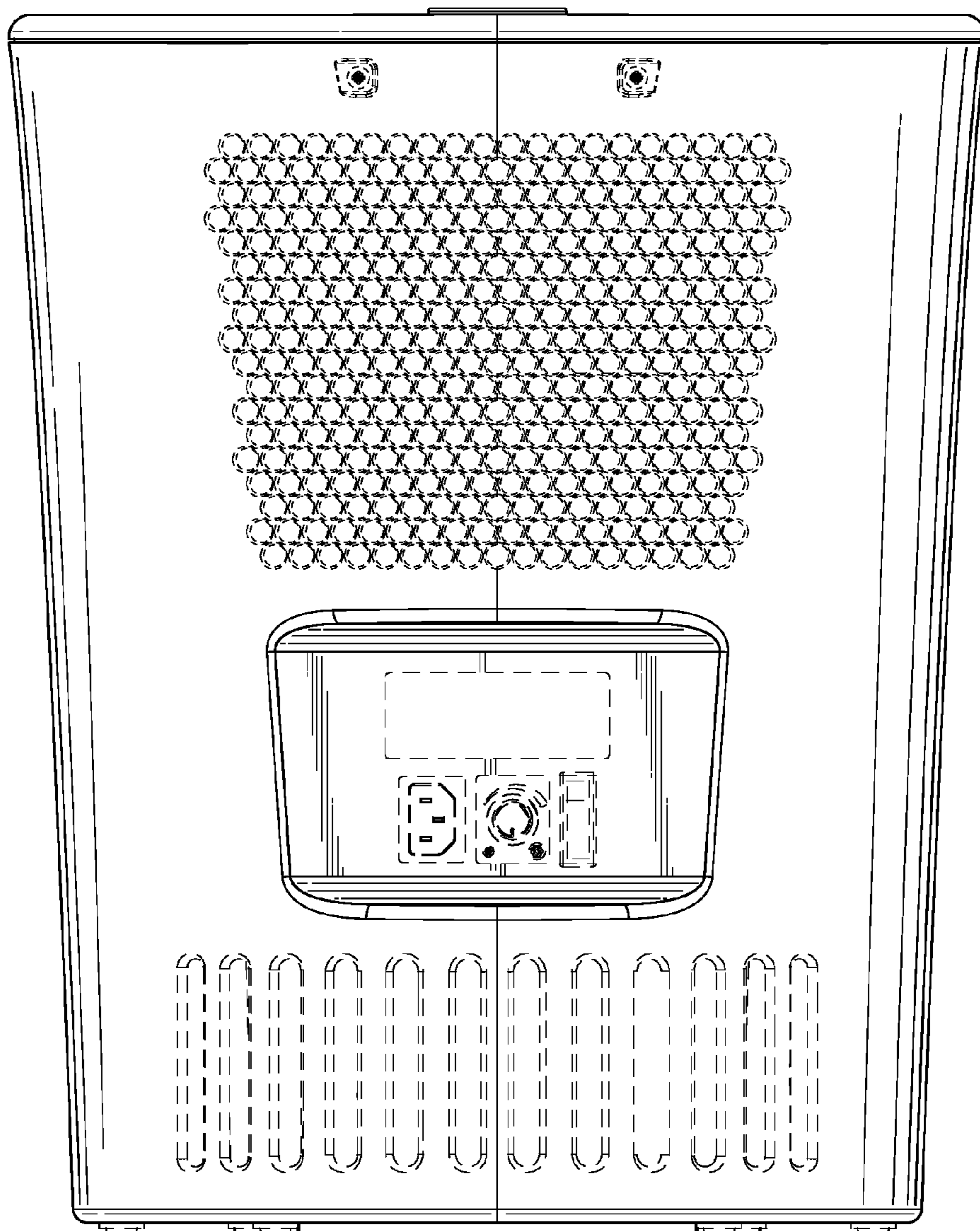


Fig. 12

Fig. 13



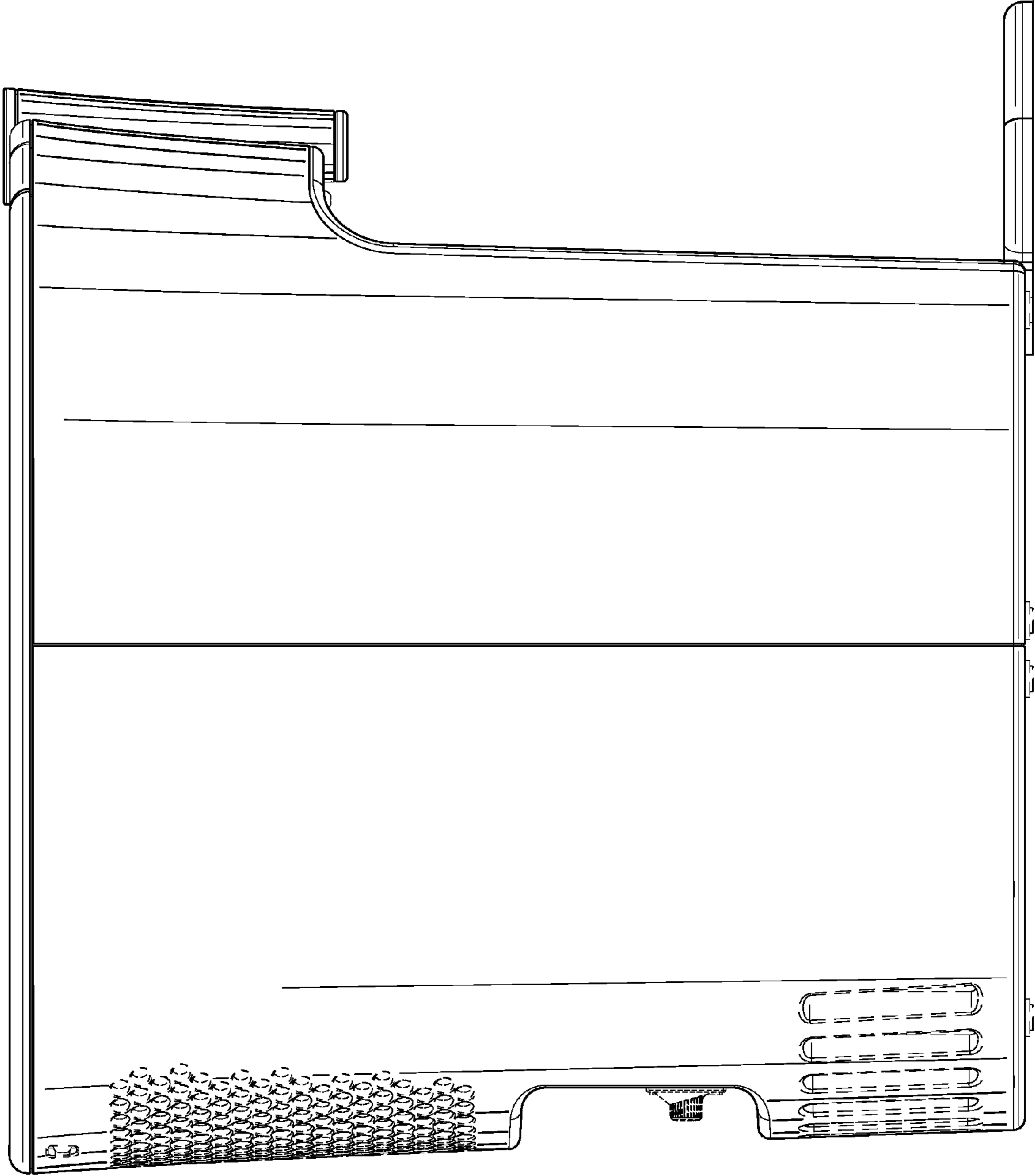


Fig. 14

Fig. 15

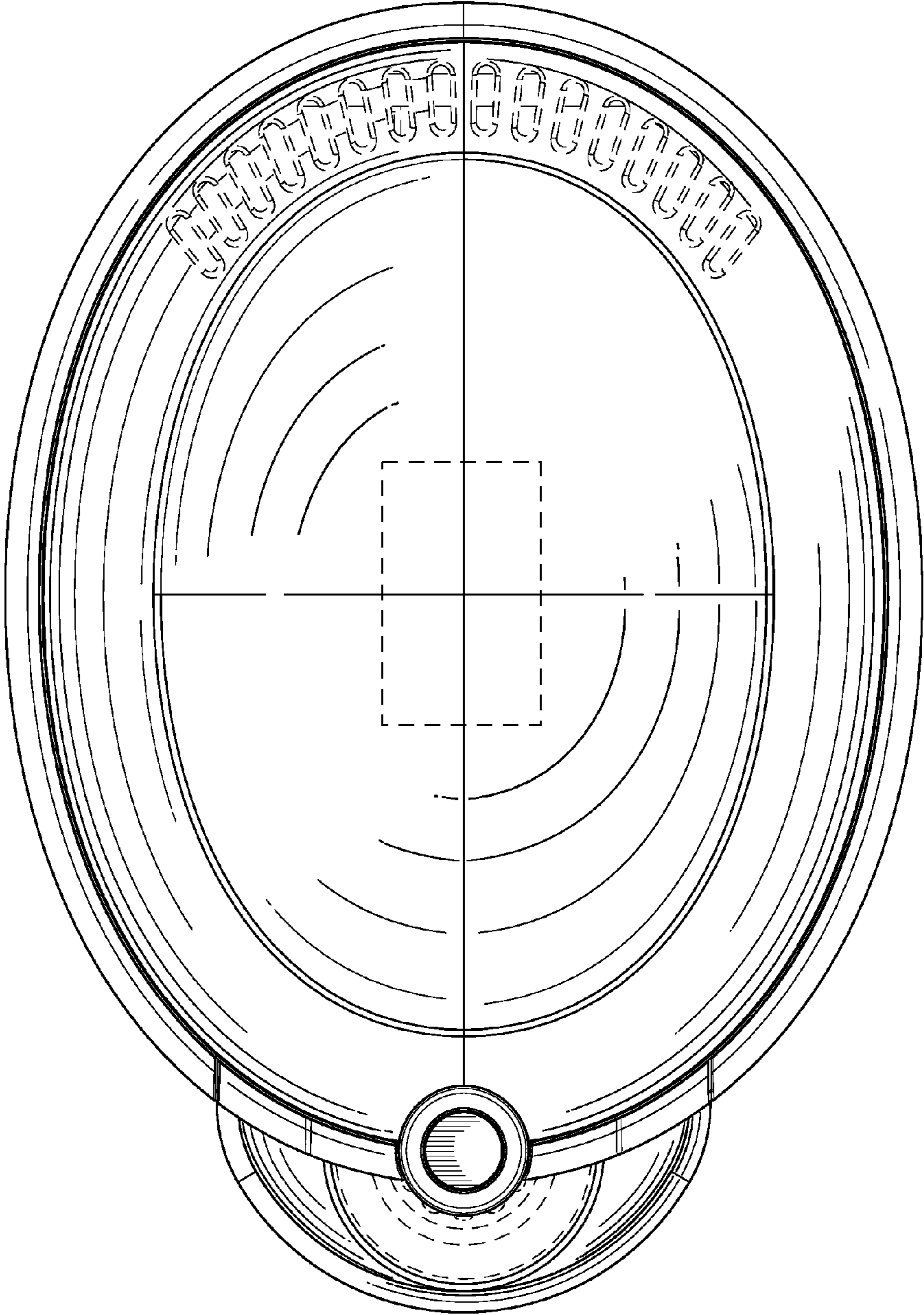




Fig. 16

