



US00D65557S

(12) **United States Design Patent**
Horres

(10) **Patent No.:** **US D655,557 S**

(45) **Date of Patent:** **** Mar. 13, 2012**

(54) **CUSHION**

(76) Inventor: **Henry Horres**, Charleston, SC (US)

(**) Term: **14 Years**

(21) Appl. No.: **29/388,100**

(22) Filed: **Mar. 24, 2011**

(51) **LOC (9) Cl.** **06-09**

(52) **U.S. Cl.** **D6/601**

(58) **Field of Classification Search** D6/595,

D6/596, 598, 601, 604; 5/630, 633, 636,

5/638, 640, 652-655, 655.3, 656

See application file for complete search history.

(56) **References Cited**

U.S. PATENT DOCUMENTS

| | | | | |
|--------------|---------|----------|-------|--------|
| D347,540 S * | 6/1994 | Brainard | | D6/600 |
| D372,829 S * | 8/1996 | Sircy | | D6/601 |
| D404,237 S * | 1/1999 | Boyd | | D6/601 |
| D464,259 S * | 10/2002 | Bianco | | D9/761 |
| D479,425 S * | 9/2003 | Emoff | | D6/601 |

D625,420 S * 10/2010 Sharps et al. D24/184

* cited by examiner

Primary Examiner — Janice Seeger

(74) *Attorney, Agent, or Firm* — B. Craig Killough

(57) **CLAIM**

The ornamental design for a cushion, substantially as shown and described.

DESCRIPTION

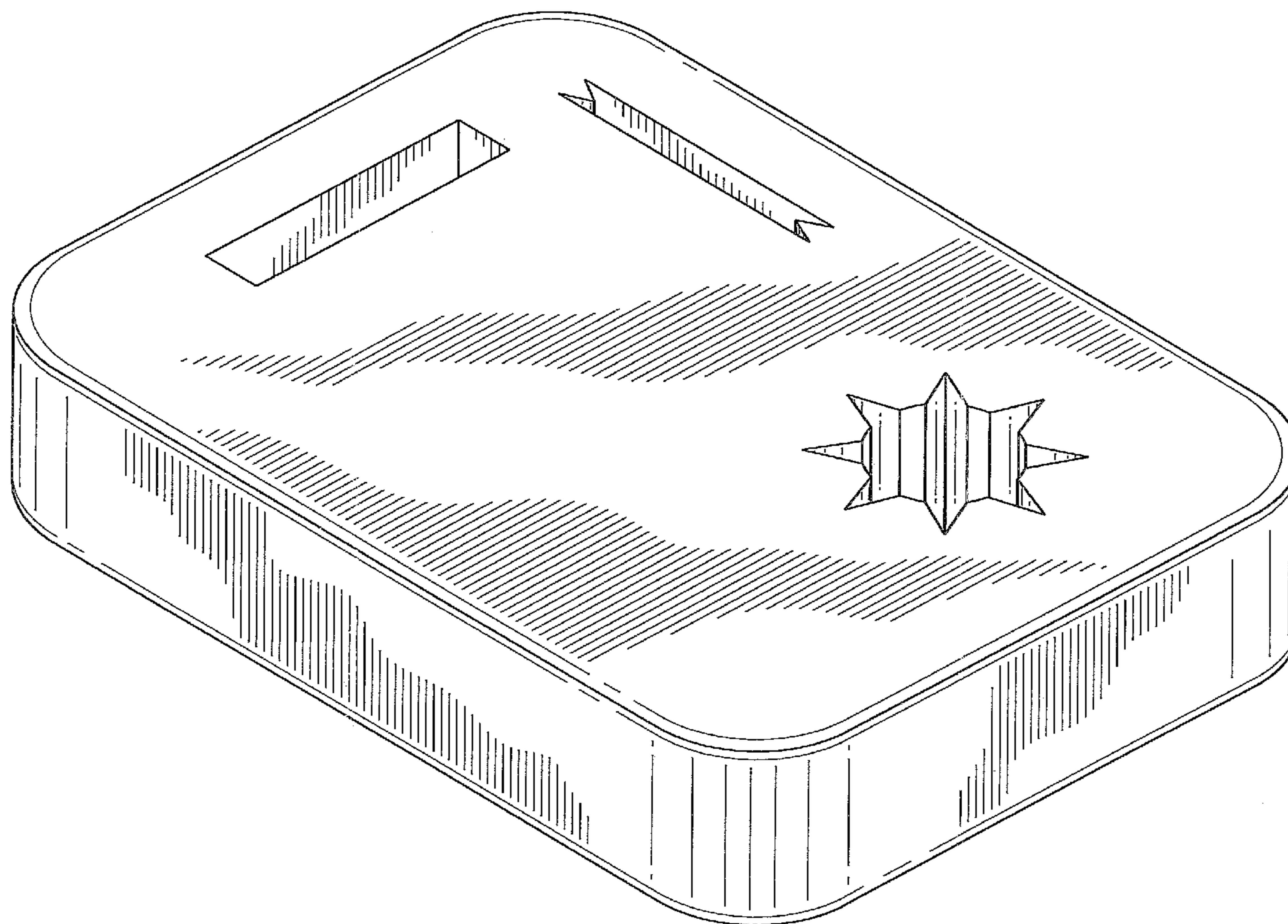
FIG. 1 is a perspective view of the front side and a left hand side of a cushion showing my new design;

FIG. 2 is top view of the cushion shown in FIG. 1, with the bottom view being identical to the top view;

FIG. 3 is front elevation of the cushion shown in FIG. 1, with the rear elevation being identical to the front elevation; and,

FIG. 4 is right hand side elevation thereof of the cushion shown in FIG. 1, with the left hand side elevation being identical to the right hand side elevation.

1 Claim, 3 Drawing Sheets



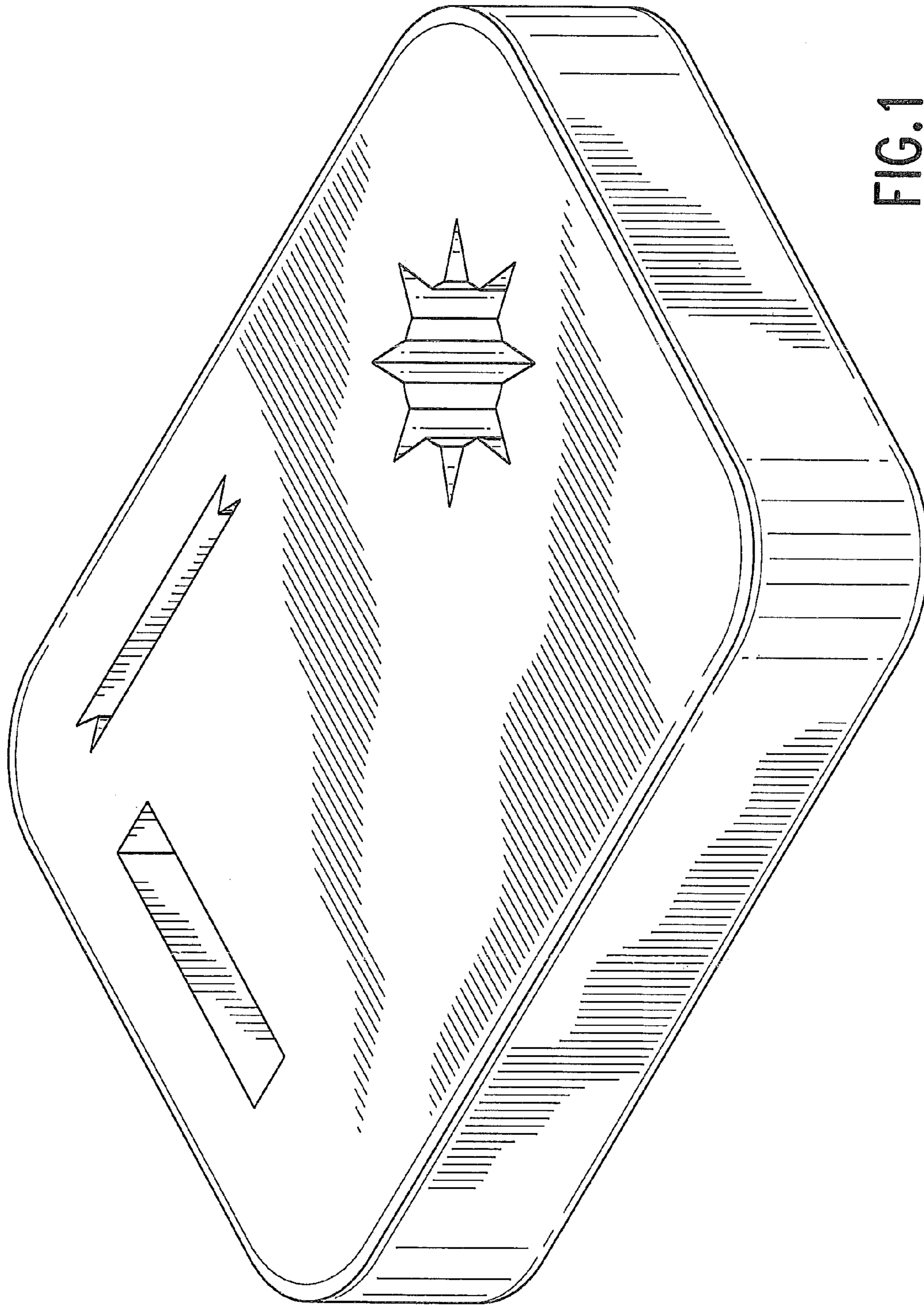


FIG. 1

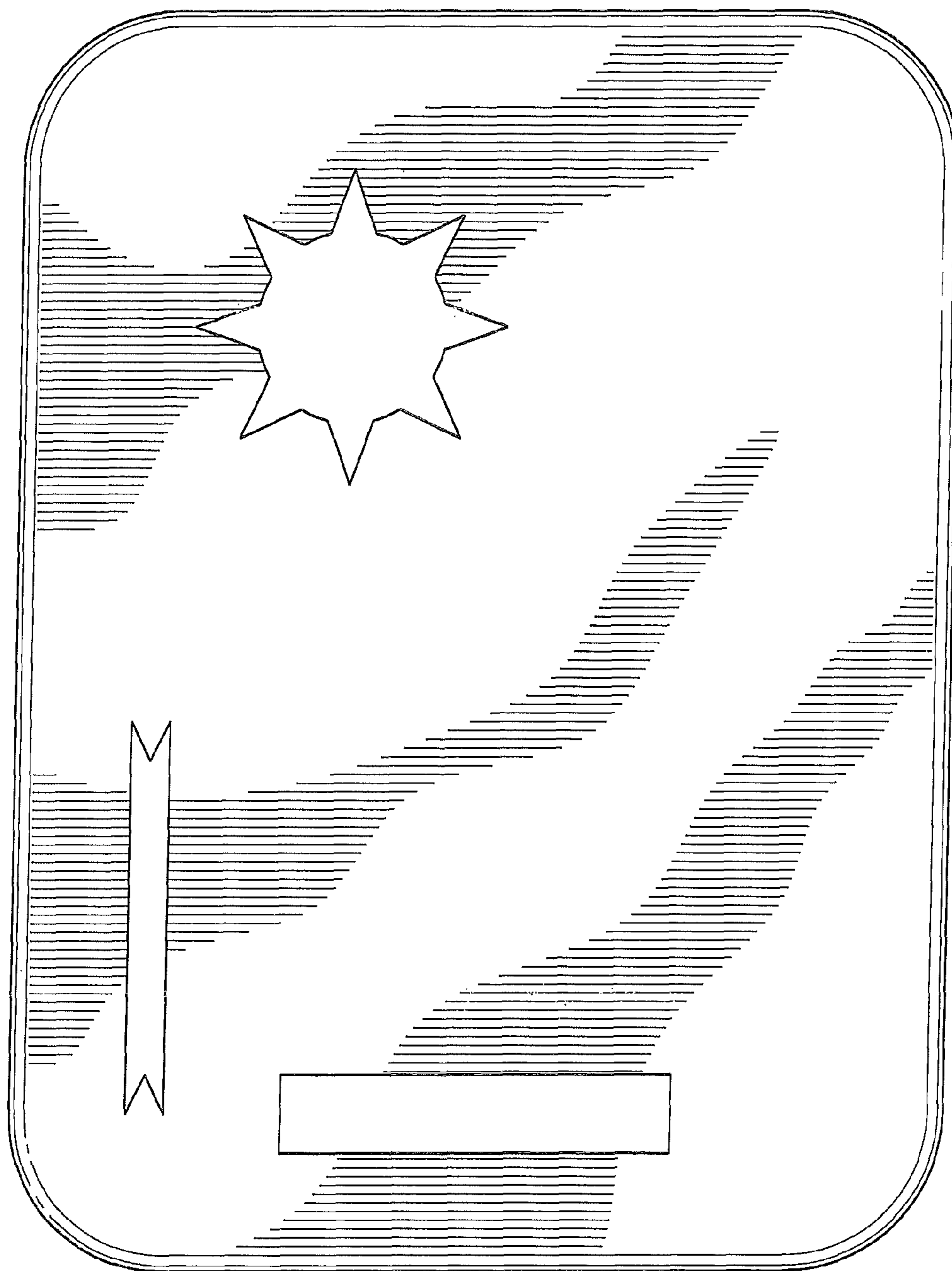


FIG.2

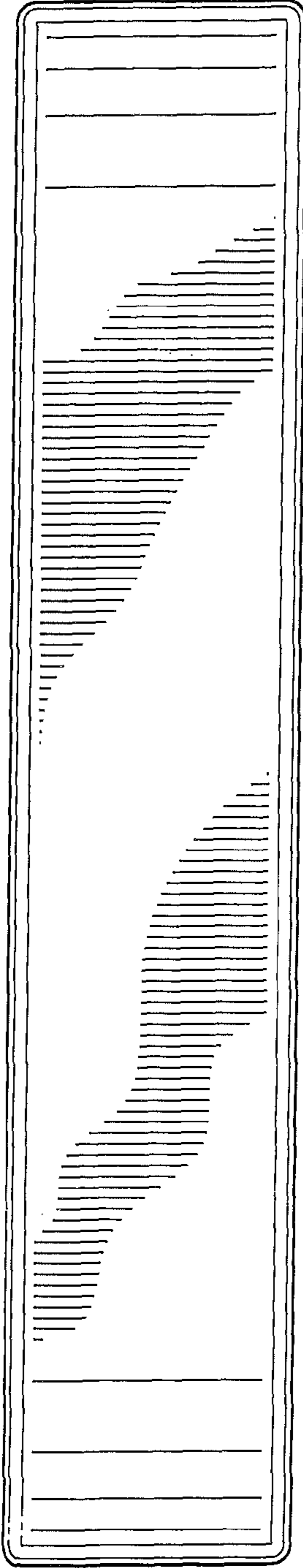


FIG. 3

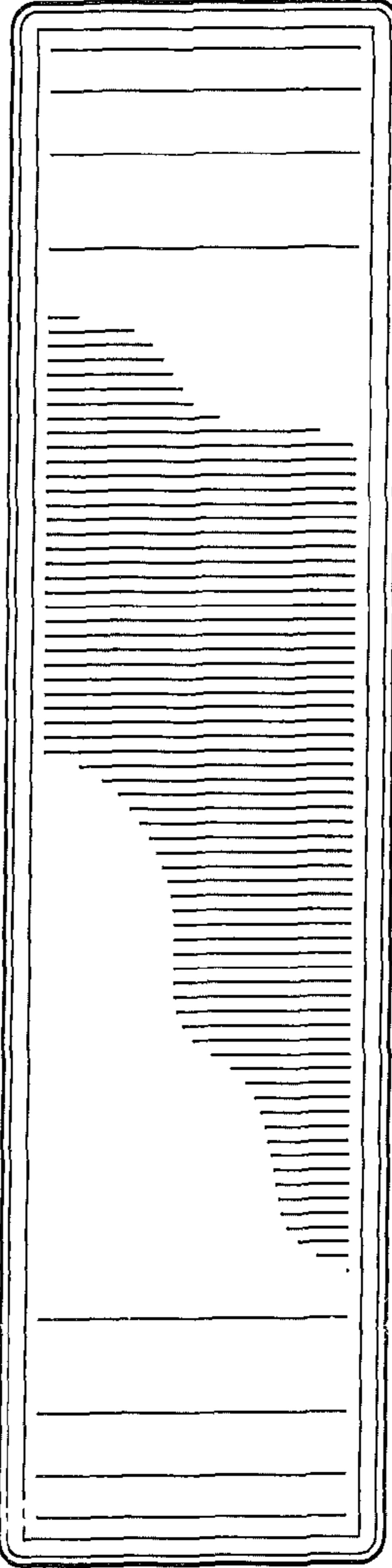


FIG. 4