



US00D655556S

(12) **United States Design Patent**
Isom-Morris

(10) **Patent No.:** **US D655,556 S**
(45) **Date of Patent:** **** Mar. 13, 2012**

- (54) **MATTRESS LINER**
- (75) Inventor: **Tiyah S. Isom-Morris**, Lansing, MI (US)
- (73) Assignee: **Tiyah S. Isom-Morris**, Lansing, MI (US)
- (**) Term: **14 Years**
- (21) Appl. No.: **29/388,164**
- (22) Filed: **Mar. 24, 2011**
- (51) **LOC (9) Cl.** **06-06**
- (52) **U.S. Cl.** **D6/596; D6/606**
- (58) **Field of Classification Search** D6/595, D6/596, 598, 601, 602, 606; 5/630, 633, 5/636, 638, 640, 652-655, 655.3, 656, 655.5, 5/484, 487, 499, 501, 502
See application file for complete search history.

- D518,672 S 4/2006 Contreras
 - D546,612 S 7/2007 Makin
 - D560,947 S 2/2008 Kreucher
 - D595,524 S 7/2009 Sammons
 - D597,357 S 8/2009 Stewart
 - D627,951 S 11/2010 Chesal et al.
 - 2002/0124313 A1* 9/2002 Cook et al. 5/484
- * cited by examiner

Primary Examiner — Janice Seeger

(57) **CLAIM**

I claim the ornamental design for a mattress liner, as shown and described.

DESCRIPTION

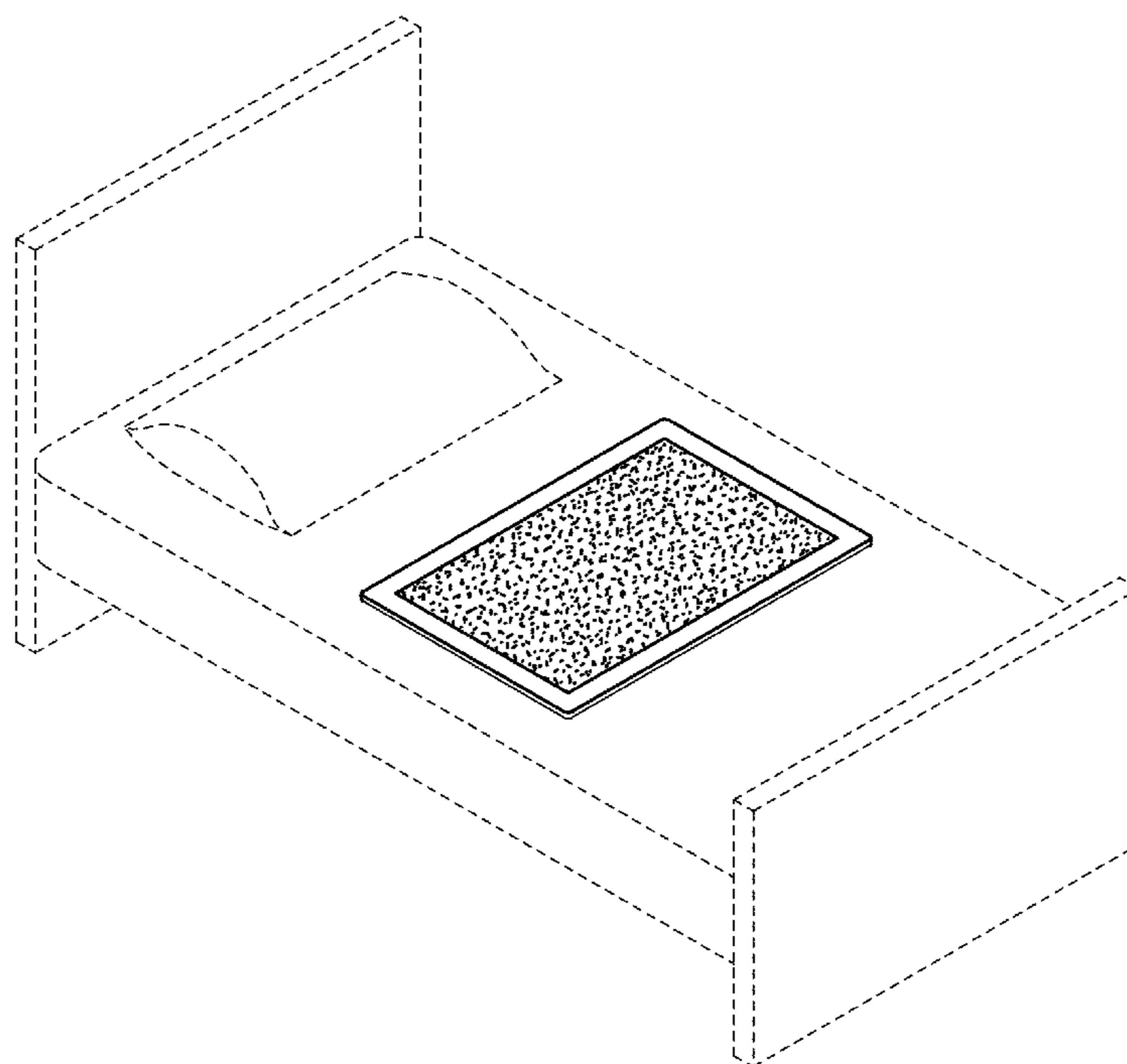
FIG. 1 is a perspective view of a mattress liner, showing my new design;
 FIG. 2 is a top plan view thereof;
 FIG. 3 is a bottom plan view thereof;
 FIG. 4 is a front elevational view thereof, the rear elevational view being a mirror image thereof;
 FIG. 5 is a left-side elevational view thereof, the right-side elevational view being a mirror image thereof;
 FIG. 6 is a rear elevational view thereof, illustrated with an adhesive liner removed;
 FIG. 7 is a front elevational view of FIG. 6, the rear elevational view being a mirror image thereof; and,
 FIG. 8 is a left-side elevational view of FIG. 6 the right-side elevational view being a mirror image thereof.
 The broken lines showing a bed in FIG. 1 depict environmental matter and form no part of the claimed design.

(56) **References Cited**

U.S. PATENT DOCUMENTS

1,070,892	A *	8/1913	Hoenigsberger	5/502
2,351,767	A *	6/1944	Johnson	5/484
2,614,273	A	9/1950	Yancofski	
2,803,836	A *	8/1957	Hunsicker	5/484
D200,695	S	3/1965	Boucher	
3,654,059	A	4/1972	Zisblatt	
4,064,577	A *	12/1977	Walters	5/484
4,391,010	A *	7/1983	Kronman	5/484
4,599,756	A *	7/1986	Koffler	5/484
5,099,532	A *	3/1992	Thomas et al.	5/484
D325,143	S	4/1992	Franzese	
D384,535	S	10/1997	Cambier	
D508,620	S	8/2005	Davis	

1 Claim, 3 Drawing Sheets



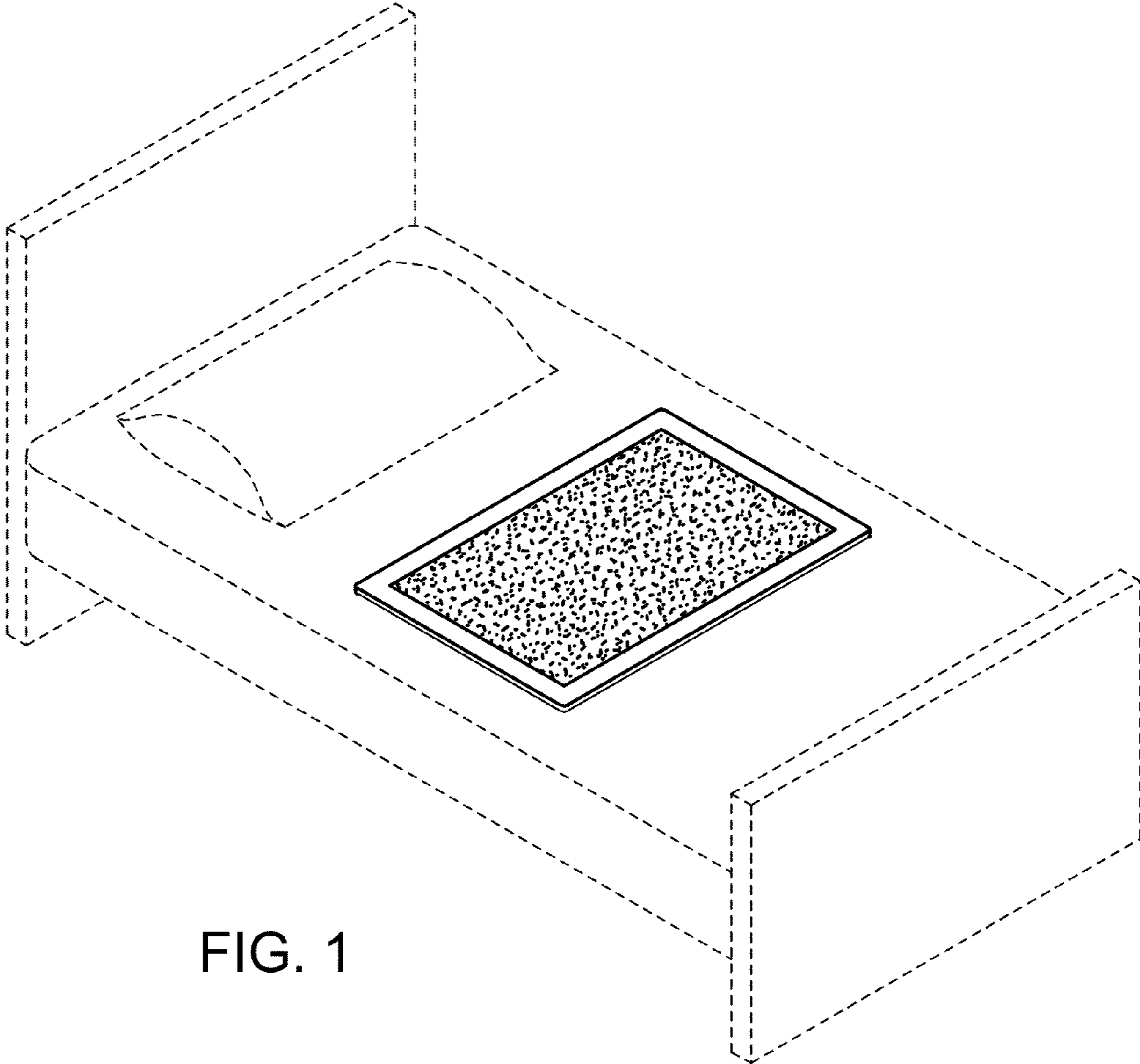


FIG. 1

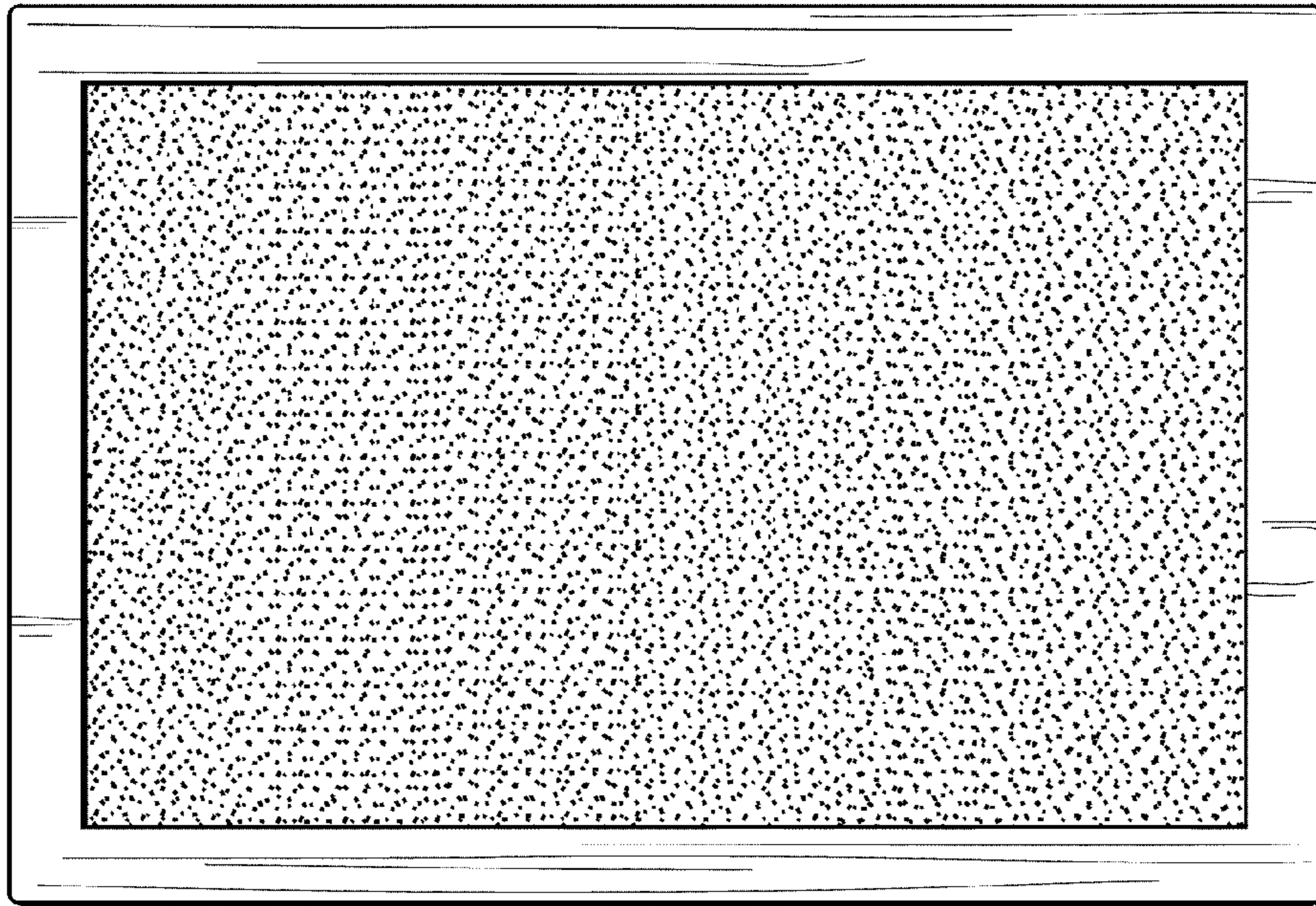


FIG. 2

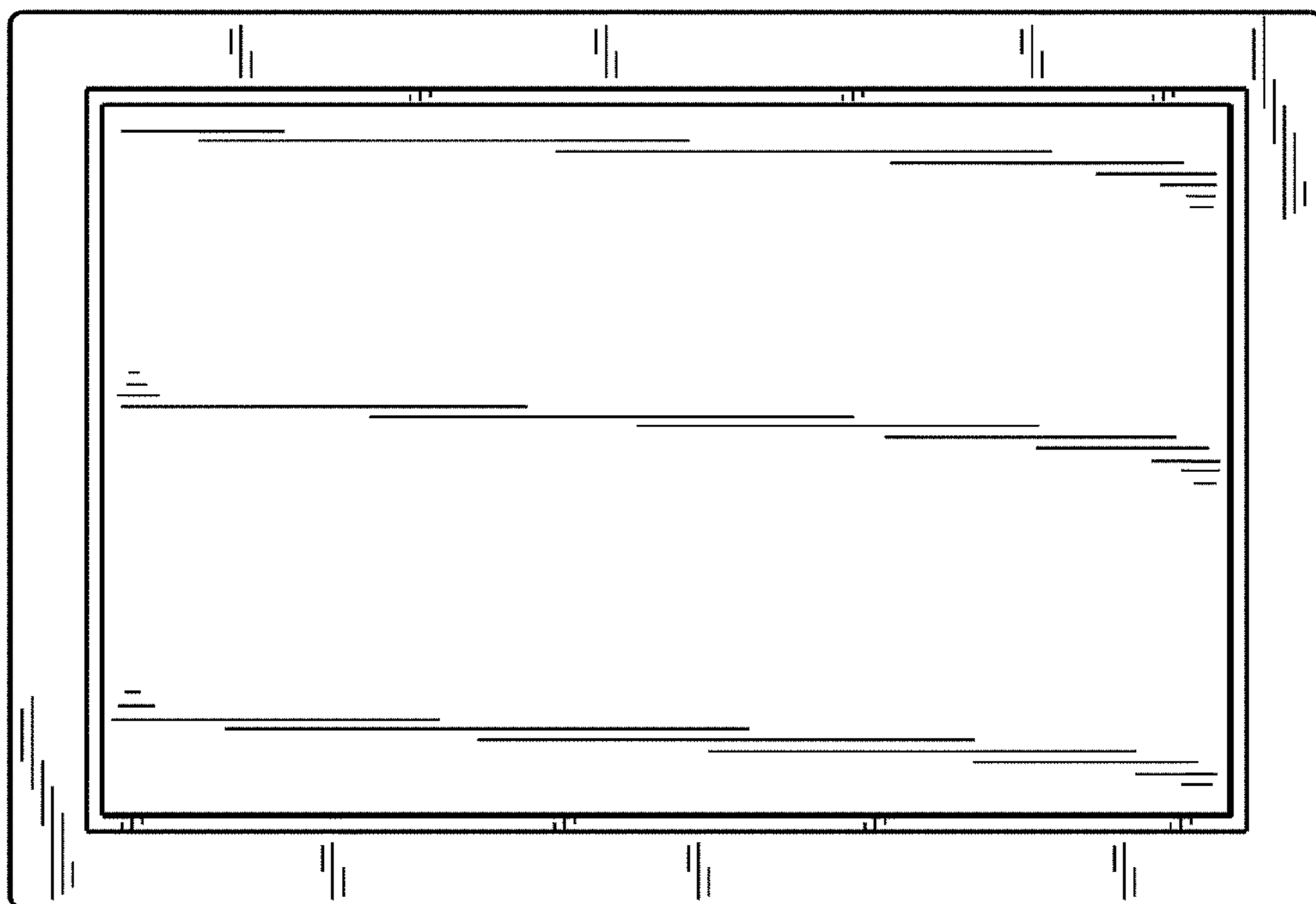


FIG. 3



FIG. 4



FIG. 5

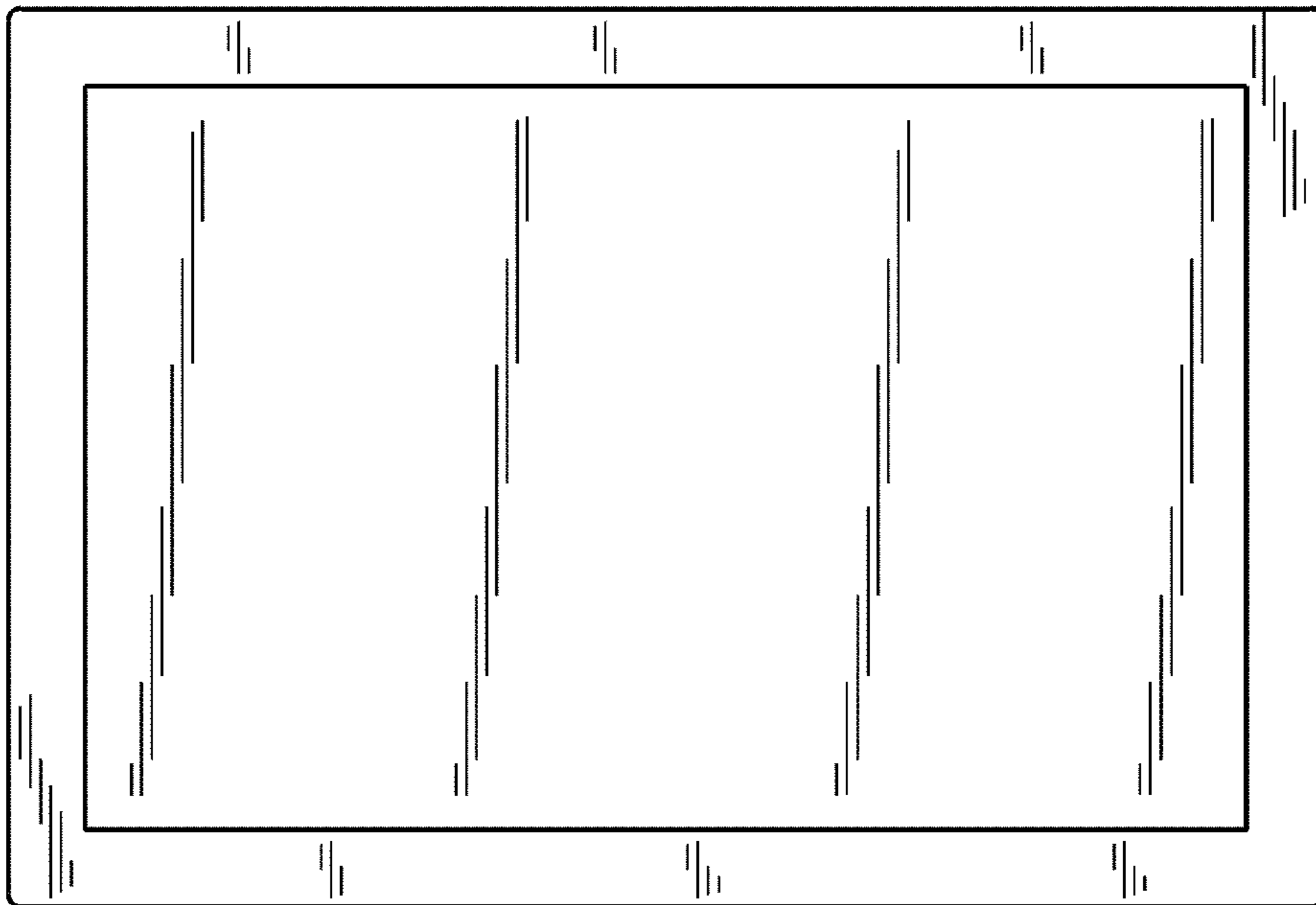


FIG. 6



FIG. 7



FIG. 8