



US00D65553S

(12) **United States Design Patent**
Beyda

(10) **Patent No.:** **US D655,553 S**
(45) **Date of Patent:** **** Mar. 13, 2012**

(54) **FLAPPED SHOWER CURTAIN LINER**

(75) Inventor: **Jeffrey J. Beyda**, Brooklyn, NY (US)

(73) Assignee: **Town & Country Linen Corp.**, New York, NY (US)

(**) Term: **14 Years**

(21) Appl. No.: **29/398,609**

(22) Filed: **Aug. 2, 2011**

(51) **LOC (9) Cl.** **06-10**

(52) **U.S. Cl.** **D6/575**

(58) **Field of Classification Search** D6/575,
D6/578, 579, 580, 581; 4/558, 559, 605,
4/607, 608, 609, 610; 160/124, 330, 336,
160/349.1, DIG. 6

See application file for complete search history.

FOREIGN PATENT DOCUMENTS

DE 29606634 U1 7/1996
(Continued)

OTHER PUBLICATIONS

U.S. Appl. No. 61/332,685, filed May 7, 2010.
(Continued)

Primary Examiner — Susan Bennett Hattan

Assistant Examiner — Barbara B Lohr

(74) *Attorney, Agent, or Firm* — Amster Rothstein & Ebenstein LLP

(57) **CLAIM**

The ornamental design for a flapped shower curtain liner, as shown and described.

(56) **References Cited**

U.S. PATENT DOCUMENTS

2,212,326	A	8/1940	Piken
2,771,945	A	11/1956	Wittrup
2,776,439	A	1/1957	Rondinelli
2,864,096	A	12/1958	Garber
3,107,361	A	10/1963	Glutting, Sr.
3,365,684	A	1/1968	Stemke et al.
3,382,507	A	5/1968	Micheau
3,808,610	A	5/1974	Mortensen
3,879,806	A	4/1975	Armstrong
4,070,735	A	1/1978	Canaday
4,077,072	A	3/1978	Dezura
4,126,172	A	11/1978	Faragher, Jr.
4,594,741	A	6/1986	Payne
4,644,592	A	2/1987	Small
D289,842	S	5/1987	Schomaker
4,759,087	A	7/1988	Zeilinger
4,771,517	A	9/1988	Bonanno
4,887,324	A	12/1989	Cairns
4,888,835	A	12/1989	Baumann
5,003,647	A	4/1991	Williams

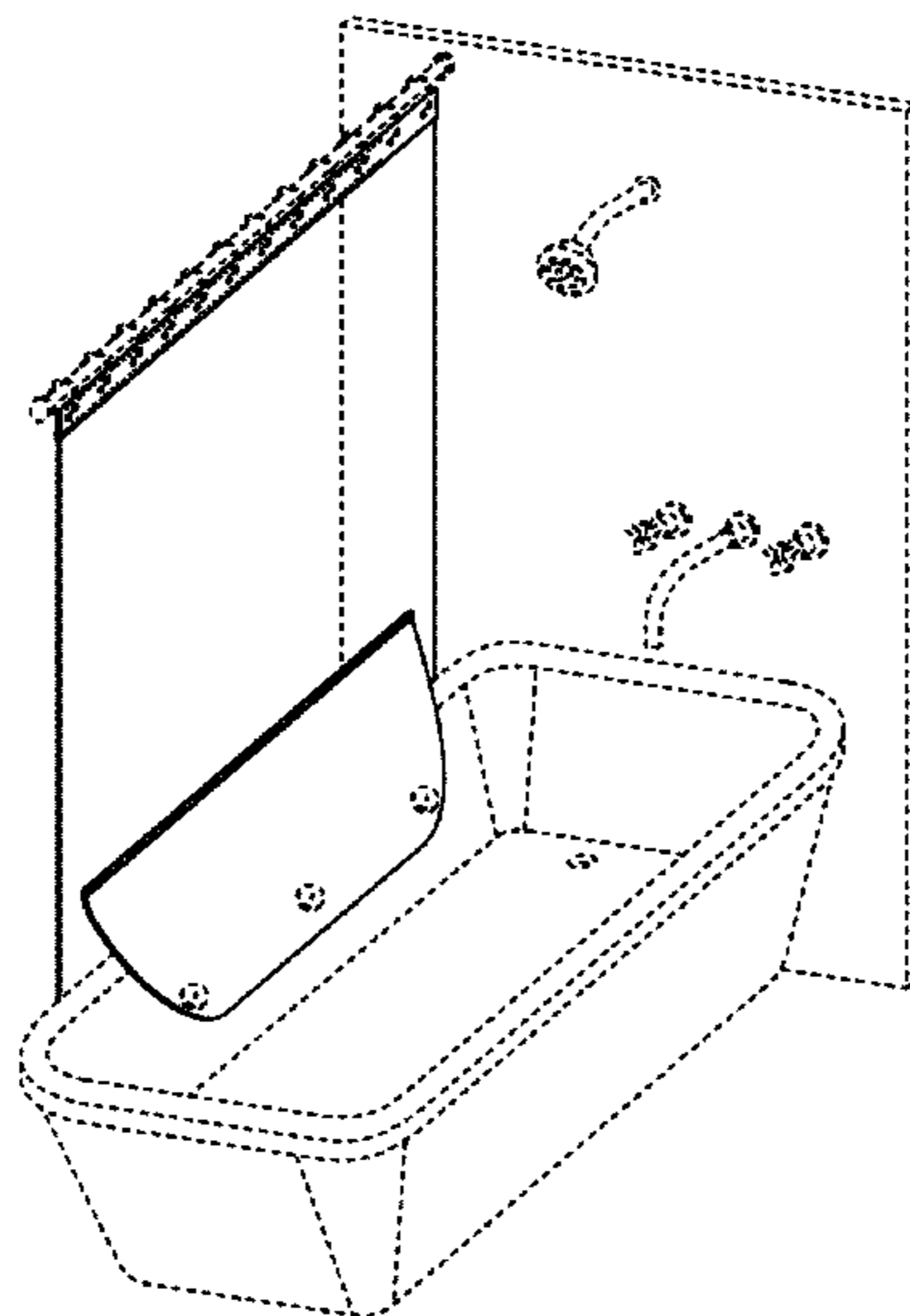
(Continued)

DESCRIPTION

FIG. 1 is a rear view of the flapped shower curtain liner, with a portion of unclaimed environmental structure shown; FIG. 2 is a front view of the flapped shower curtain liner, with a portion of unclaimed environmental structure shown; FIG. 3 is a rear view of the flapped shower curtain liner, with a portion of unclaimed environmental structure shown; FIG. 4 is a front view of the flapped shower curtain liner, with a portion of unclaimed environmental structure shown; FIG. 5 is a side angled prospective view of the flapped shower curtain liner, with a portion of unclaimed environmental structure shown; and, FIG. 6 is an opposite side angled prospective view of the flapped shower curtain liner, with a portion of unclaimed environmental structure shown.

The broken lines shown in the drawings represent environmental structure and/or unclaimed portions of the flapped shower curtain liner, and form no part of the claimed design.

1 Claim, 3 Drawing Sheets



US D655,553 S

Page 2

U.S. PATENT DOCUMENTS

5,007,120 A * 4/1991 Annand 4/558
5,070,551 A 12/1991 Harrison et al.
5,148,580 A 9/1992 Dyckow
5,228,149 A 7/1993 Phinn, Jr.
5,243,715 A 9/1993 Barmak
5,274,859 A 1/1994 Redman et al.
5,421,393 A * 6/1995 Wolfe 160/349.1
D362,147 S 9/1995 Voccia
5,732,420 A * 3/1998 Micciche 4/610
5,771,502 A * 6/1998 O'Grady 4/405
5,771,504 A 6/1998 Steiner
5,787,520 A 8/1998 Dunbar
5,826,284 A * 10/1998 Wren 4/609
5,829,071 A 11/1998 Lavallo
5,974,603 A 11/1999 Frazier
6,094,755 A 8/2000 Matta
6,148,452 A 11/2000 Kirsopp
6,154,894 A 12/2000 Alexander et al.
D441,244 S * 5/2001 Jerrell et al. D6/575
6,292,957 B1 9/2001 Thompson
6,317,904 B1 11/2001 Samelson
6,321,397 B1 11/2001 Fogg et al.
D534,062 S 12/2006 van den Bosch
D583,602 S 12/2008 Pannell
7,644,453 B2 1/2010 Dyckow

7,761,935 B1 7/2010 Whitaker
2007/0215296 A1 9/2007 Voutour
2007/0256232 A1 11/2007 Erickson

FOREIGN PATENT DOCUMENTS

EP 0380339 A1 8/1990
GB 2298891 A 9/1996
GB 2417519 A 3/2006
WO 1993018697 A1 9/1993

OTHER PUBLICATIONS

U.S. Appl. No. 61/332,671, filed May 7, 2010.
U.S. Appl. No. 11/077,817, filed Mar. 11, 2005.
U.S. Appl. No. 61/321,805, filed Apr. 7, 2010.
U.S. Appl. No. 61/383,589, filed Sep. 16, 2010.
U.S. Appl. No. 61/325,639, filed Apr. 19, 2010.
U.S. Appl. No. 61/381,711, filed Sep. 10, 2010.
U.S. Appl. No. 13/082,088, filed Apr. 7, 2011.
U.S. Appl. No. 61/514,283, filed Aug. 2, 2011.
U.S. Appl. No. 29/398,608, filed Aug. 2, 2011.
U.S. Appl. No. 13/229,216, filed Sep. 9, 2011.
U.S. Appl. No. 13/081,950, filed Apr. 7, 2011.

* cited by examiner

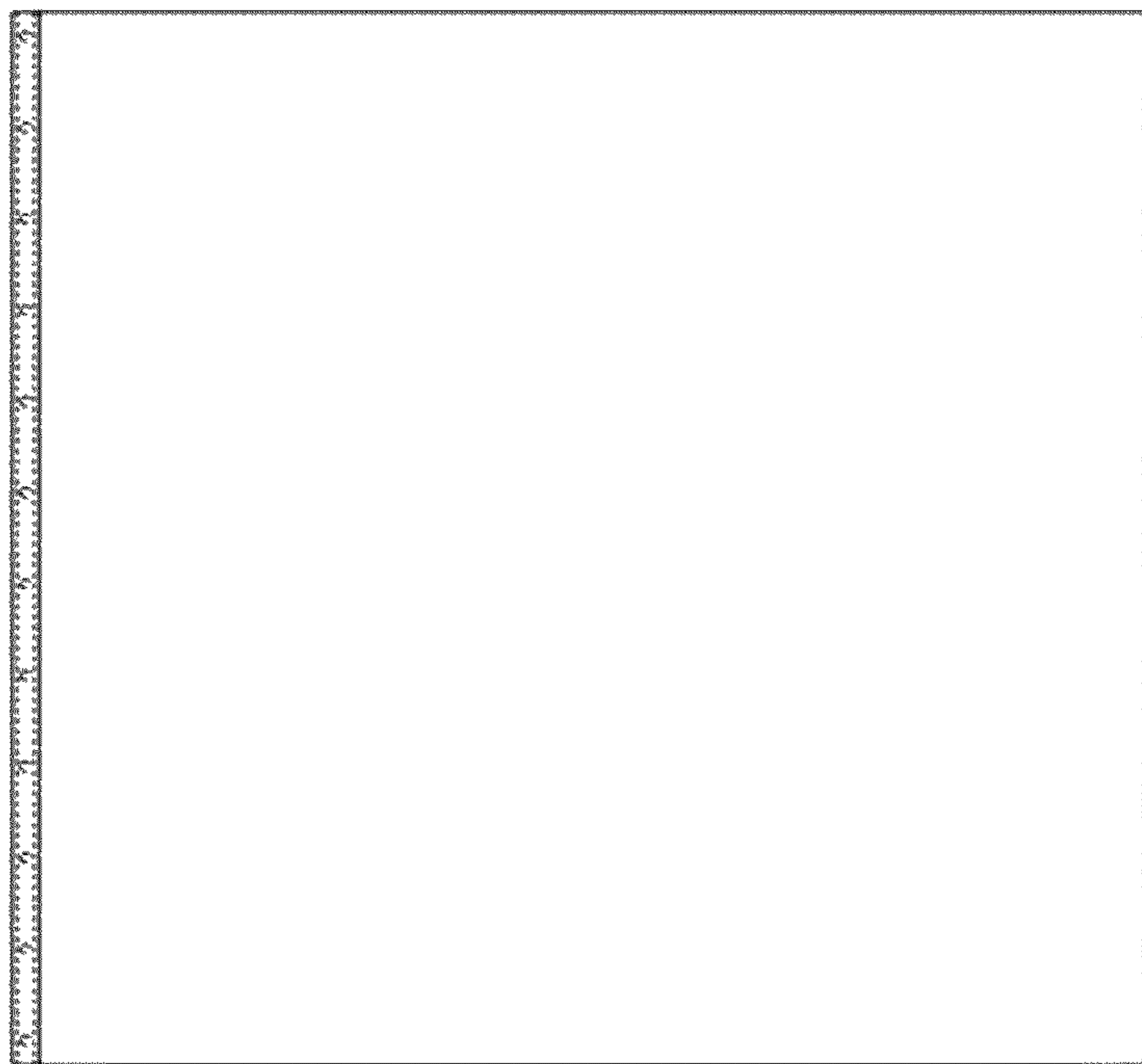


FIG. 2

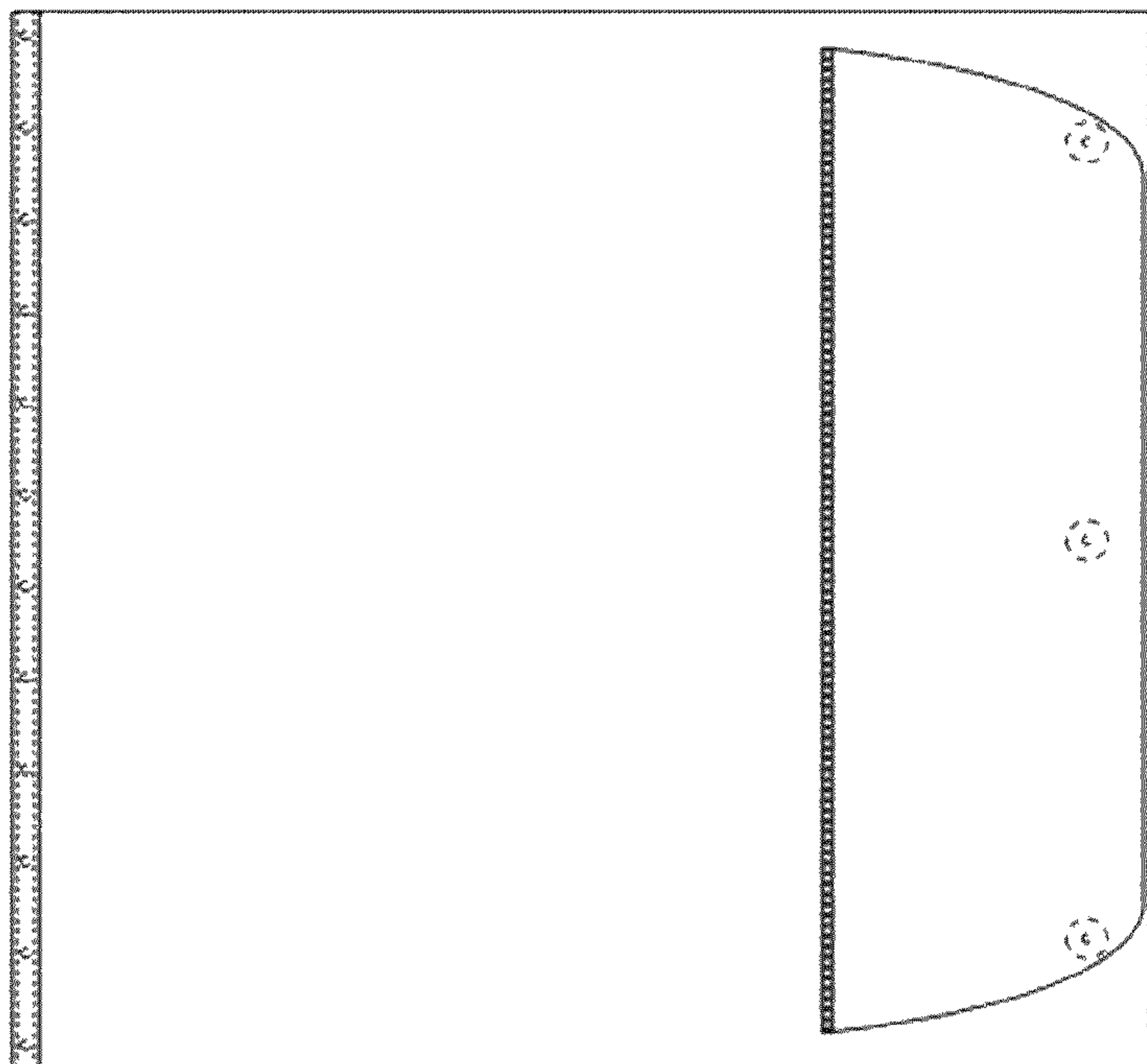


FIG. 1

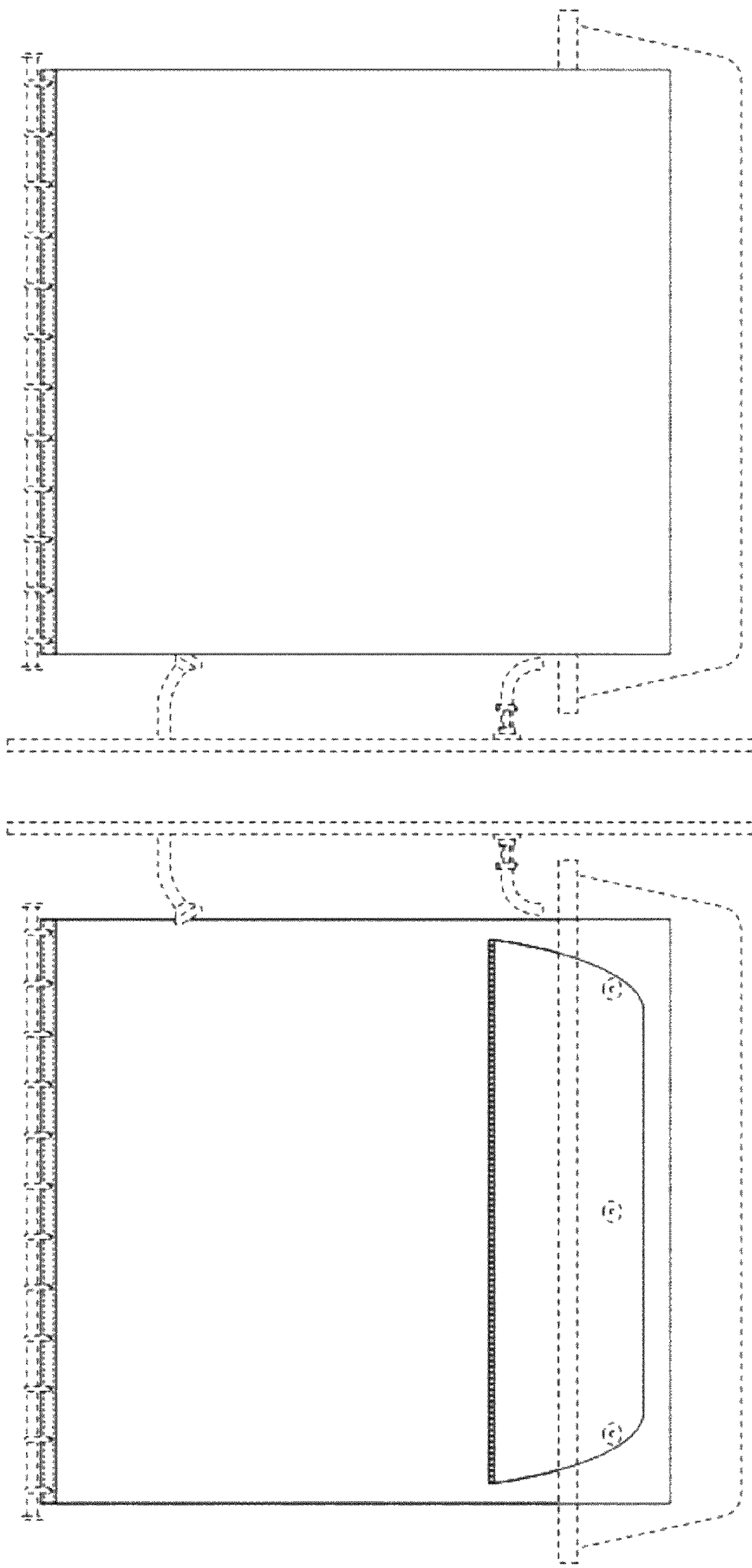


FIG. 4

FIG. 3

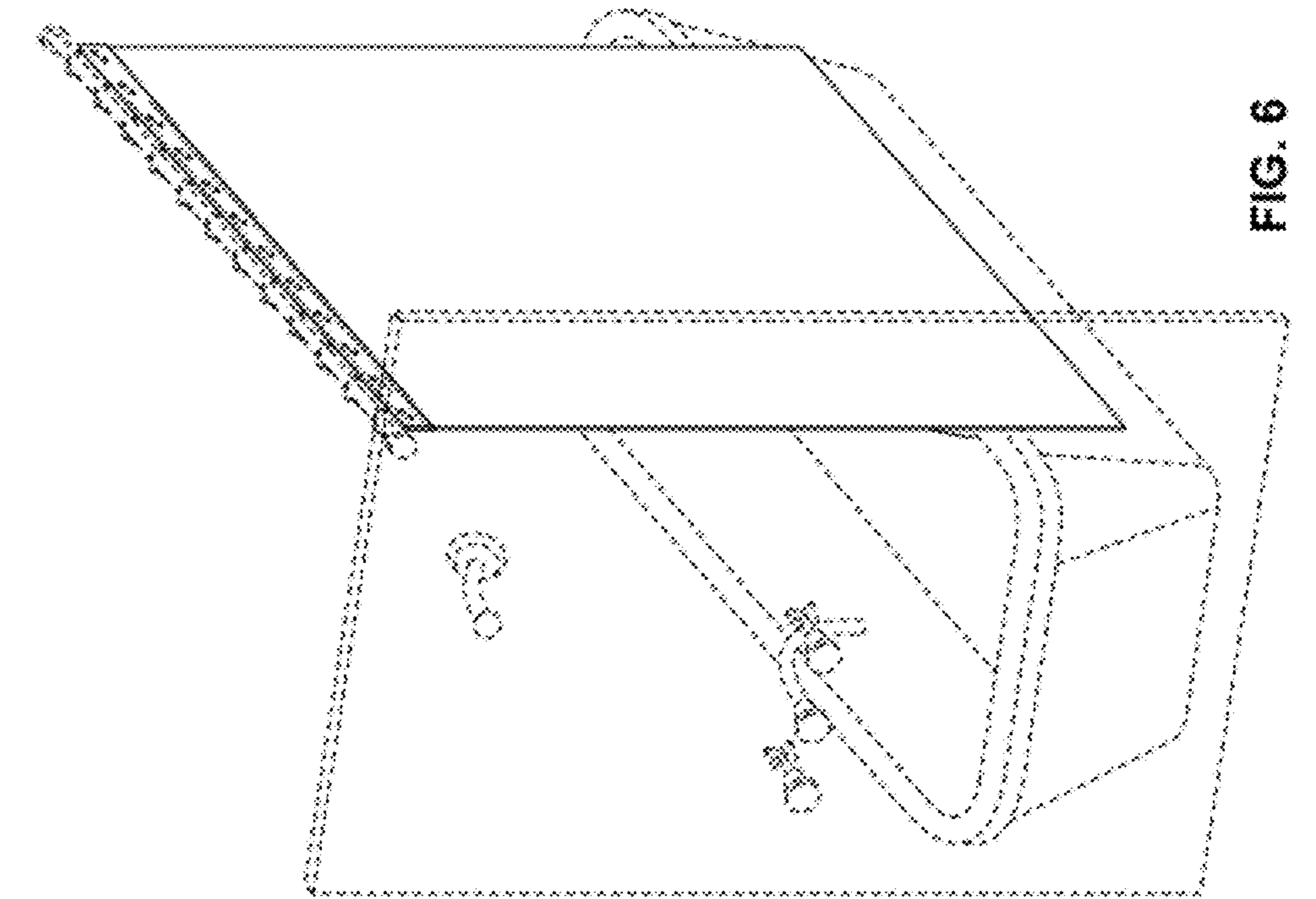


FIG. 6

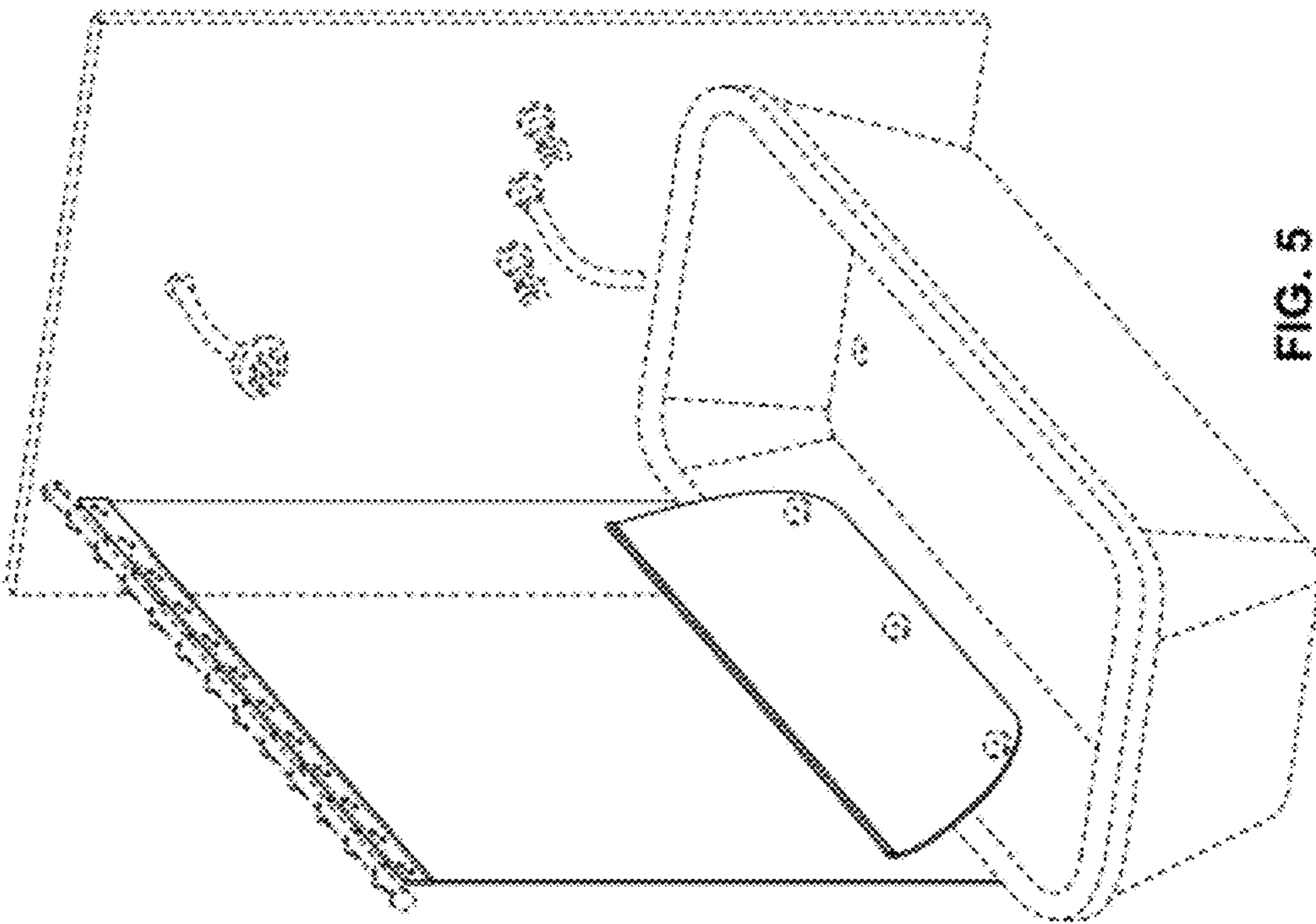


FIG. 5