



US00D65552S

(12) **United States Design Patent**  
**Beyda**

(10) **Patent No.:** **US D655,552 S**  
(45) **Date of Patent:** **\*\* Mar. 13, 2012**

- (54) **CONTOURED SHOWER CURTAIN LINER**
- (75) Inventor: **Jeffrey J. Beyda**, Brooklyn, NY (US)
- (73) Assignee: **Town & Country Linen Corp.**, New York, NY (US)
- (\*\*) Term: **14 Years**
- (21) Appl. No.: **29/398,608**
- (22) Filed: **Aug. 2, 2011**
- (51) **LOC (9) Cl.** ..... **06-10**
- (52) **U.S. Cl.** ..... **D6/575**
- (58) **Field of Classification Search** ..... D6/575, D6/576, 577, 578, 579, 580; 160/124, 330, 160/349.1, DIG. 6; 4/558, 609; 222/106; D8/376

See application file for complete search history.

(56) **References Cited**

**U.S. PATENT DOCUMENTS**

2,212,326	A	8/1940	Piken	
2,771,945	A	11/1956	Wittrup	
2,776,439	A	1/1957	Rondinelli	
2,864,096	A	12/1958	Garber	
3,107,361	A	10/1963	Glutting, Sr.	
3,365,684	A	1/1968	Stemke et al.	
3,382,507	A	5/1968	Micheau	
3,808,610	A	5/1974	Mortensen	
3,879,806	A	4/1975	Armstrong	
4,070,735	A	1/1978	Canaday	
4,077,072	A	3/1978	Dezura	
4,126,172	A	11/1978	Faragher, Jr.	
4,594,741	A	6/1986	Payne	
4,644,592	A	2/1987	Small	
D289,842	S *	5/1987	Schomaker	..... D6/575
4,759,087	A	7/1988	Zeilinger	
4,771,517	A	9/1988	Bonanno	
4,887,324	A	12/1989	Cairns	
4,888,835	A	12/1989	Baumann	
5,003,647	A	4/1991	Williams	
5,070,551	A	12/1991	Harrison et al.	
5,148,580	A	9/1992	Dyckow	

(Continued)

**FOREIGN PATENT DOCUMENTS**

DE 29606634 U1 7/1996  
(Continued)

**OTHER PUBLICATIONS**

U.S. Appl. No. 61/332,685, filed May 7, 2010.  
(Continued)

*Primary Examiner* — Susan Bennett Hattan  
*Assistant Examiner* — Barbara B Lohr  
(74) *Attorney, Agent, or Firm* — Amster Rothstein & Ebenstein LLP

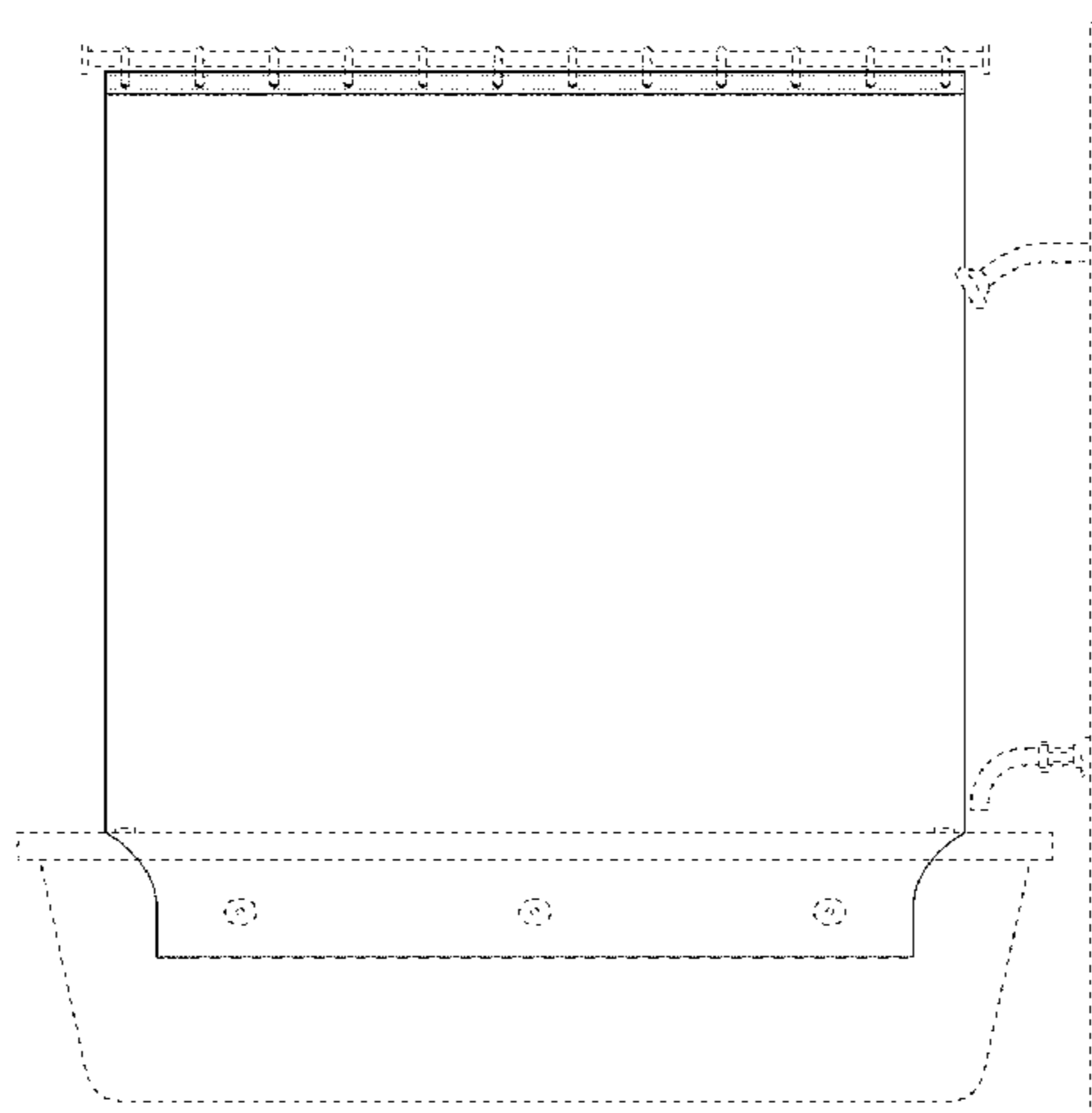
(57) **CLAIM**

The ornamental design for a contoured shower curtain liner, as shown and described.

**DESCRIPTION**

FIG. 1 is a front view of the contoured shower curtain liner, with a portion of unclaimed environmental structure shown; FIG. 2 is a rear view of the contoured shower curtain liner, with a portion of unclaimed environmental structure shown; FIG. 3 is a front view of the contoured shower curtain liner, with a portion of unclaimed environmental structure shown; FIG. 4 is a side angled perspective view of the contoured shower curtain liner, with a portion of unclaimed environmental structure shown; and, FIG. 5 is an opposite side angled perspective view of the contoured shower curtain liner, with a portion of unclaimed environmental structure shown. The broken lines shown in the drawings represent environmental structure and/or unclaimed portions of the contoured shower curtain liner, and form no part of the claimed design.

**1 Claim, 3 Drawing Sheets**



# US D655,552 S

Page 2

## U.S. PATENT DOCUMENTS

5,228,149 A 7/1993 Phinn, Jr.  
5,243,715 A 9/1993 Barmak  
5,274,859 A 1/1994 Redman et al.  
D362,147 S \* 9/1995 Voccia ..... D6/575  
5,495,628 A \* 3/1996 Logan ..... 4/558  
D370,583 S \* 6/1996 Fiddler ..... D6/578  
5,771,504 A 6/1998 Steiner  
5,787,520 A 8/1998 Dunbar  
5,826,284 A 10/1998 Wren  
5,829,071 A 11/1998 Lavallo  
5,974,603 A \* 11/1999 Frazier ..... 4/558  
6,094,755 A \* 8/2000 Matta ..... 4/558  
6,148,452 A 11/2000 Kirsopp  
6,154,894 A 12/2000 Alexander et al.  
D441,244 S \* 5/2001 Jerrell et al. .... D6/575  
6,292,957 B1 \* 9/2001 Thompson ..... 4/609  
6,317,904 B1 \* 11/2001 Samelson ..... 4/558  
6,321,397 B1 11/2001 Fogg et al.  
D534,062 S \* 12/2006 van den Bosch ..... D8/376  
D583,602 S \* 12/2008 Pannell ..... D6/575  
7,644,453 B2 1/2010 Dyckow

7,761,935 B1 \* 7/2010 Whitaker ..... 4/558  
2007/0215296 A1 9/2007 Voutour  
2007/0256232 A1 11/2007 Erickson

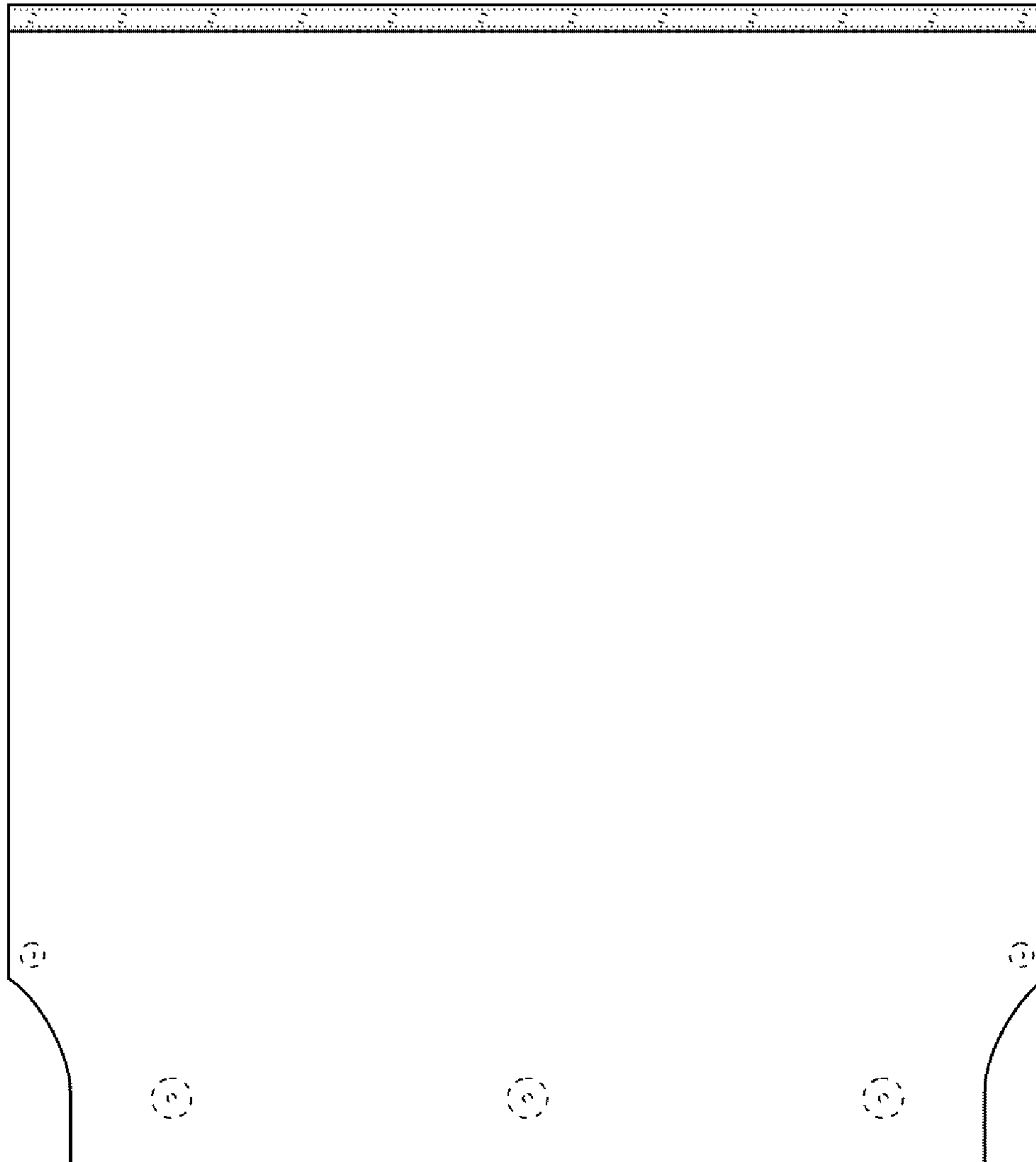
## FOREIGN PATENT DOCUMENTS

EP 0380339 A1 8/1990  
GB 2298891 A 9/1996  
GB 2417519 A 3/2006  
WO 1993018697 A1 9/1993

## OTHER PUBLICATIONS

U.S. Appl. No. 61/332,671, filed May 7, 2010.  
U.S. Appl. No. 11/077,817, filed Mar. 11, 2005.  
U.S. Appl. No. 61/321,805, filed Apr. 7, 2010.  
U.S. Appl. No. 61/383,589, filed Sep. 16, 2010.  
U.S. Appl. No. 61/325,639, filed Apr. 19, 2010.  
U.S. Appl. No. 61/381,711, filed Sep. 10, 2010.  
U.S. Appl. No. 13/082,088, filed Apr. 7, 2011.  
U.S. Appl. No. 61/514,283, filed Aug. 2, 2011.  
U.S. Appl. No. 29/398,609, filed Aug. 2, 2011.  
U.S. Appl. No. 13/229,216, filed Sep. 9, 2011.  
U.S. Appl. No. 13/081,950, filed Apr. 7, 2011.

\* cited by examiner



**FIG. 1**

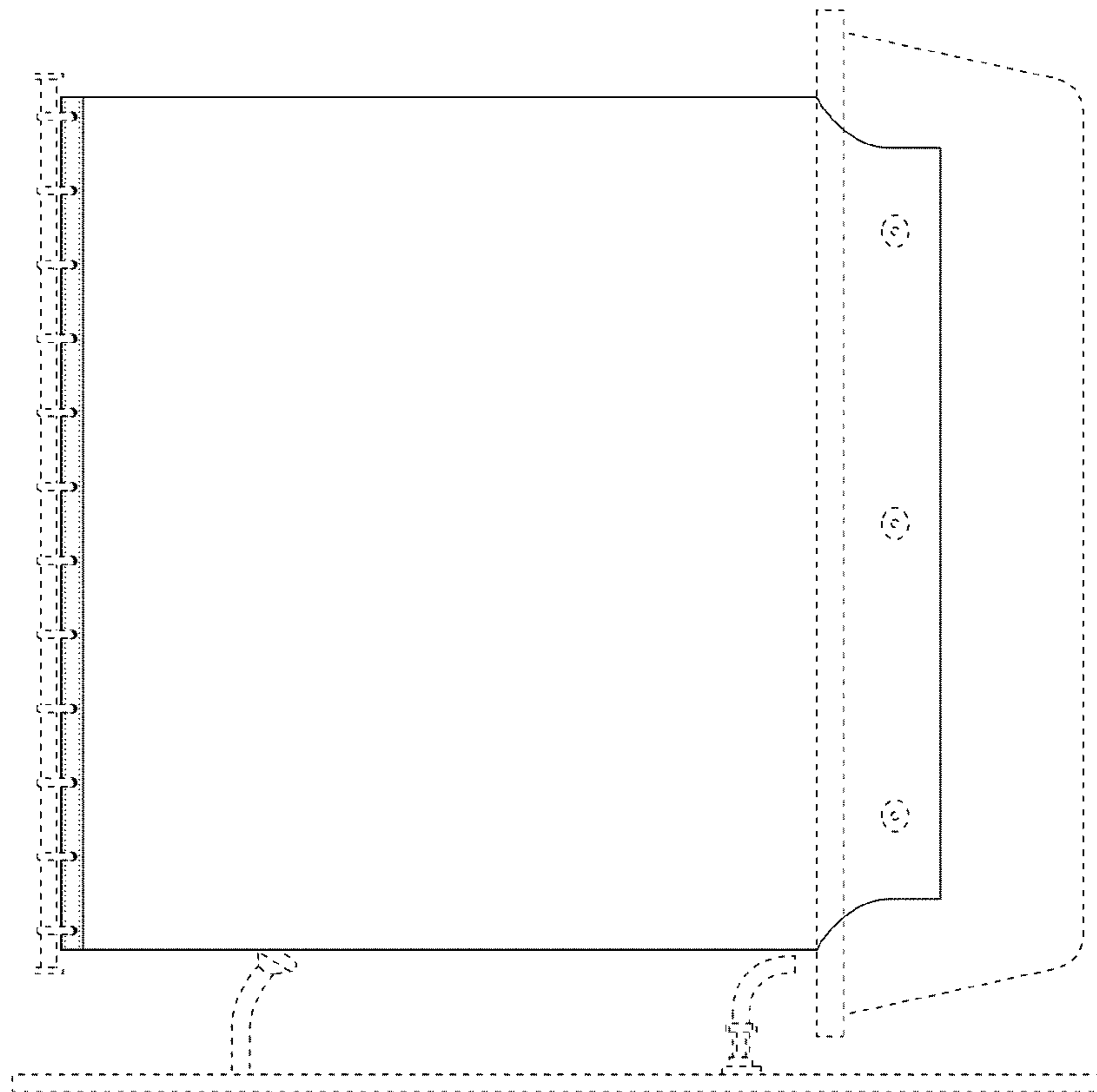


FIG. 3

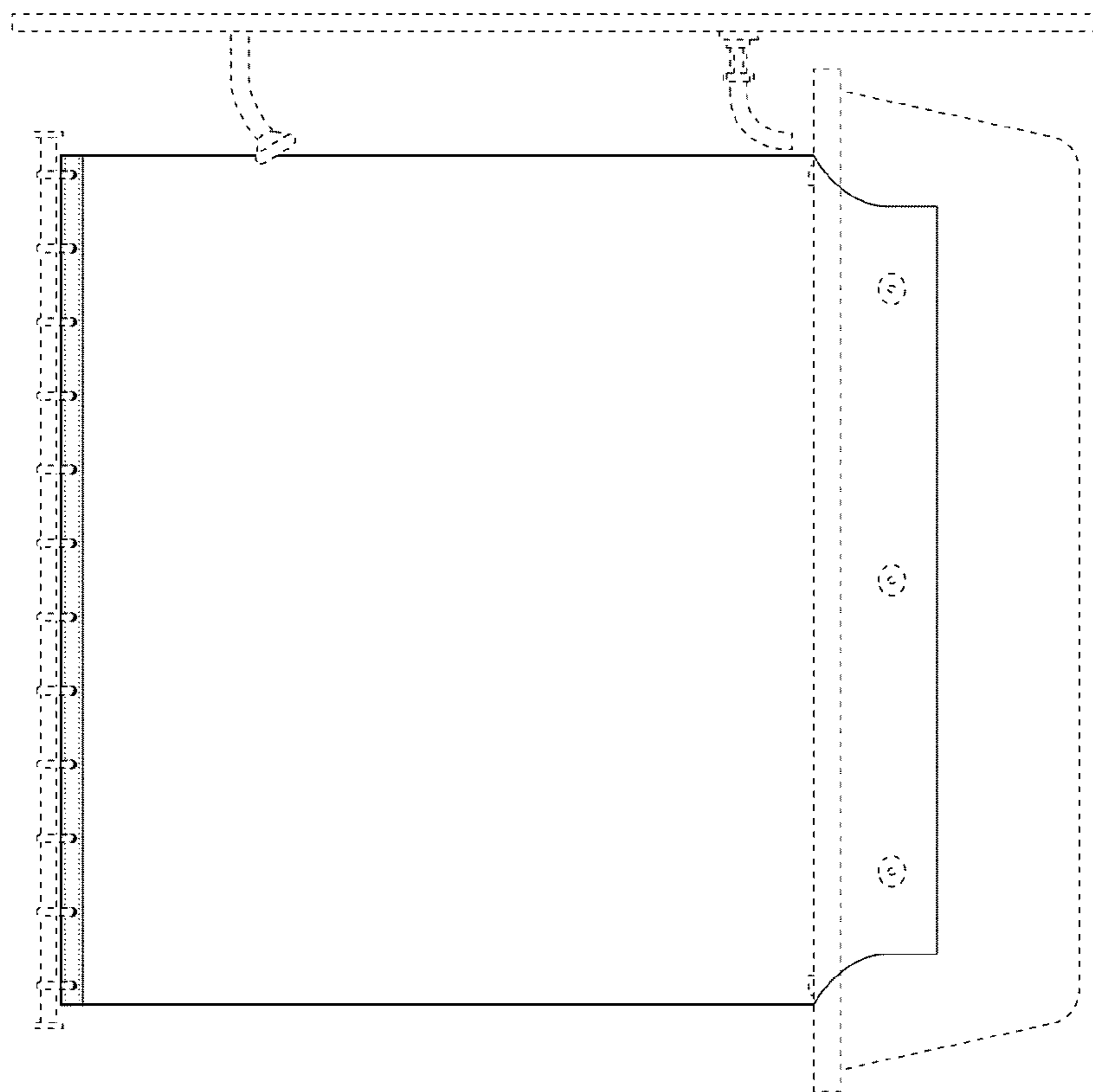


FIG. 2

