



US00D655550S

(12) **United States Design Patent**  
**Mattsson**

(10) **Patent No.:** **US D655,550 S**  
(45) **Date of Patent:** **\*\* Mar. 13, 2012**

(54) **FURNITURE FOR STORAGE**

D294,096 S \* 2/1988 Murphy ..... D6/574  
D347,537 S \* 6/1994 Suh ..... D6/560  
D538,093 S \* 3/2007 Lee ..... D6/555

(75) Inventor: **Olle Mattsson**, Tingsryd (SE)

(73) Assignee: **Hammarplast Consumer Aktiebolag**,  
Tingsryd (SE)

(\*\*) Term: **14 Years**

(21) Appl. No.: **29/378,289**

(22) Filed: **Nov. 2, 2010**

(30) **Foreign Application Priority Data**

May 4, 2010 (EM) ..... 001703828

(51) **LOC (9) CL.** ..... **06-04**

(52) **U.S. Cl.** ..... **D6/567; D6/569; D6/570; D6/571;**  
**D6/573**

(58) **Field of Classification Search** ..... D6/553,  
D6/555, 567, 569, 570, 573, 574; 108/33,  
108/40, 42, 115, 134; 206/509; 211/13.1,  
211/87.01, 85.17, 90.02, 126.5, 134; 248/312.1;  
312/107, 198

See application file for complete search history.

(56) **References Cited**

**U.S. PATENT DOCUMENTS**

1,446,036 A \* 2/1923 Dodd ..... 211/85.17  
2,455,991 A \* 12/1948 Goldfield et al. .... 312/195  
2,916,161 A \* 12/1959 Schaefer ..... D6/570  
3,653,734 A \* 4/1972 Ungaro ..... 312/107  
D239,225 S \* 3/1976 Schweitzer ..... D6/561  
D268,554 S \* 4/1983 Springer ..... D6/553  
4,633,789 A \* 1/1987 Kortering et al. .... 108/152  
D289,353 S \* 4/1987 Davis et al. .... D6/555

**OTHER PUBLICATIONS**

Elfa Lumi AB; "Elfa Backsystem Mini-1-djup 435 mm", Elfa Lumi AB (Elfagatan 5, Vastervik, Sweden) 1 page.  
Elfa Lumi AB; "Elfa Backsystem Mini II", Elfa Lumi AB, (Elfagatan 5, Vastervik, Sweden) 1 page.  
Elfa Lumi AB; "Elfa Décor-Prislista" Januari 2008, 1 page.  
Elfa Lumi AB; Elfa Fristående-I, 1 page.  
Elfa Lumi AB; Elfa Fristående-II, 1 page.

\* cited by examiner

*Primary Examiner* — Brian N Vinson

(74) *Attorney, Agent, or Firm* — Ladas & Parry LLP

(57) **CLAIM**

The ornamental design for a furniture for storage, as shown and described.

**DESCRIPTION**

FIG. 1 is a perspective view showing the top side, the left side, and the front of a furniture for storage showing my new design;

FIG. 2 is a perspective view showing the underside, the right side, and the back thereof;

FIG. 3 is a front elevational view thereof;

FIG. 4 is a top plan view thereof;

FIG. 5 is a bottom view thereof;

FIG. 6 is a rear elevational view thereof;

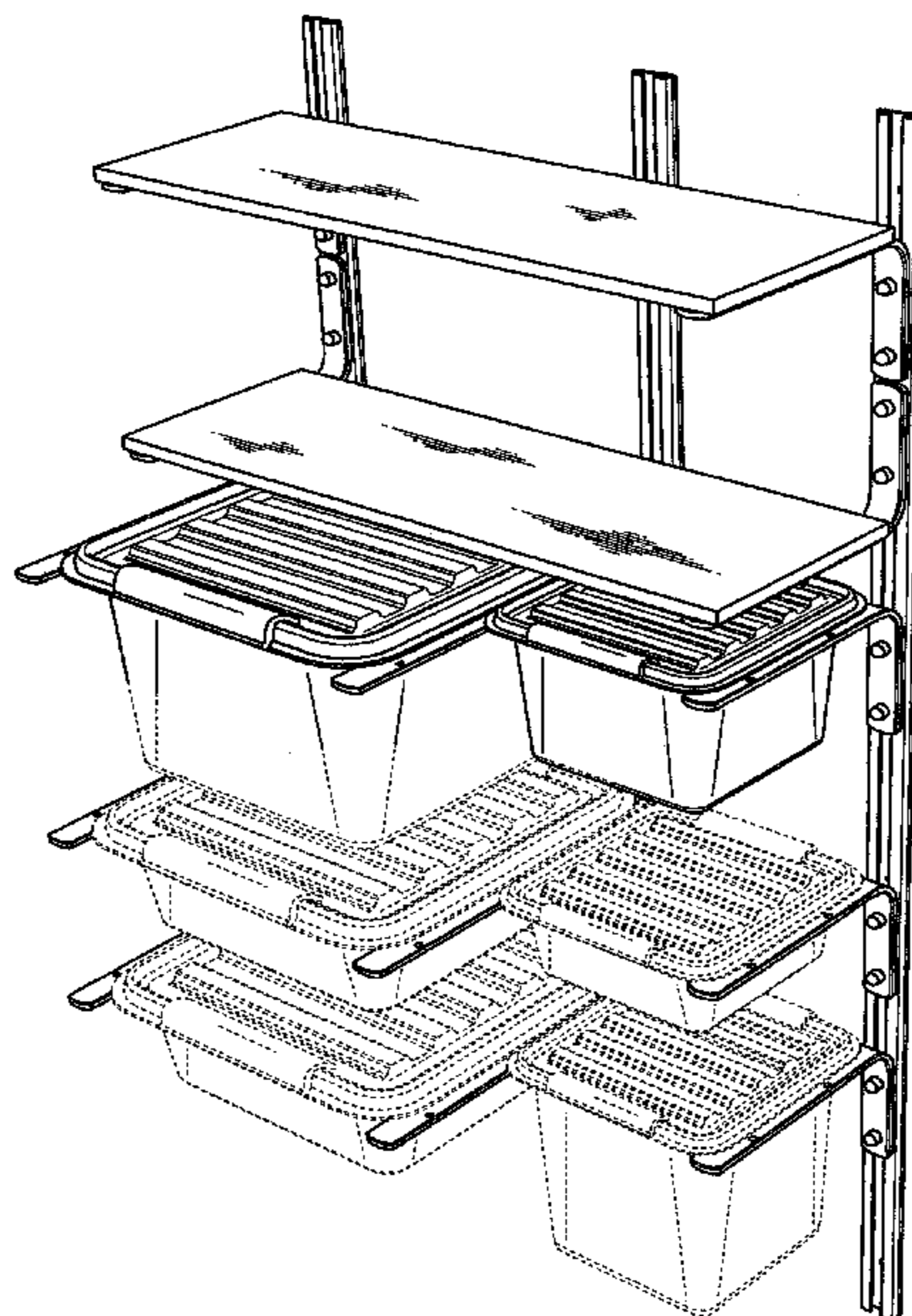
FIG. 7 is a left elevational view thereof;

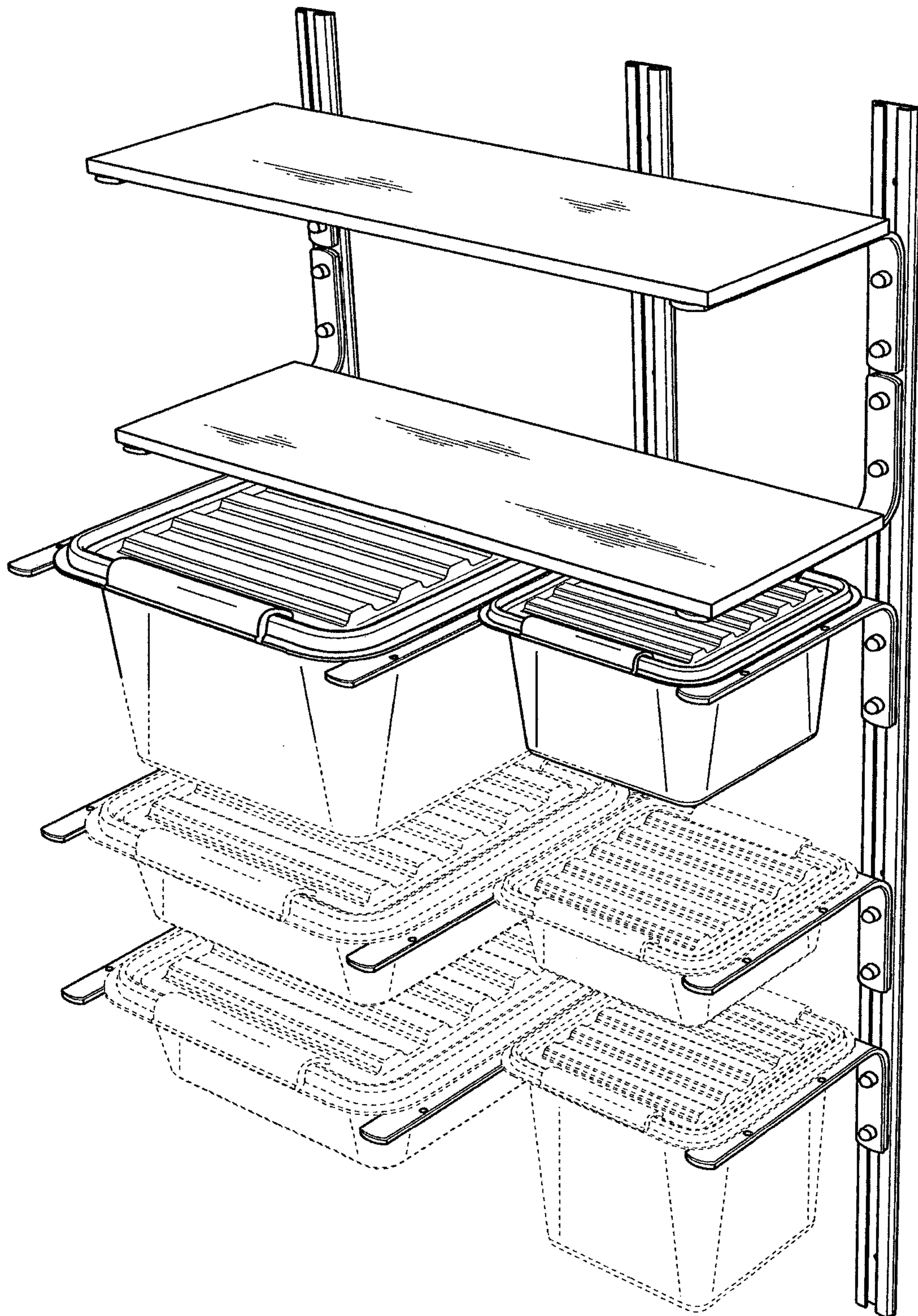
FIG. 8 is a right elevational view thereof; and,

FIG. 9 is cross-sectional view, as seen along the arrows B-B of FIG. 8.

The broken-line disclosure is understood to represent portions of the article in which the claimed design is embodied, but which forms no part of the claimed design.

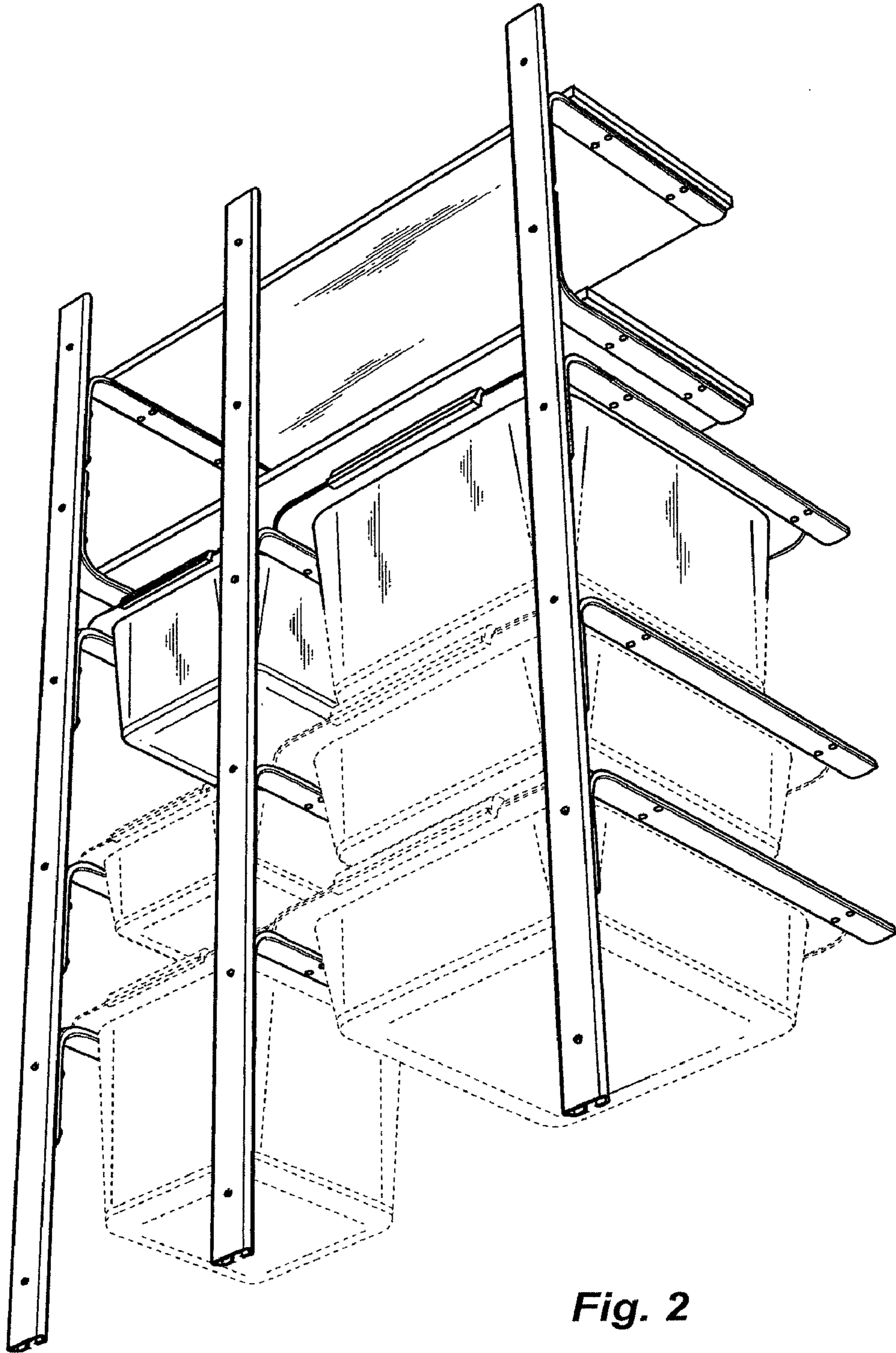
**1 Claim, 9 Drawing Sheets**



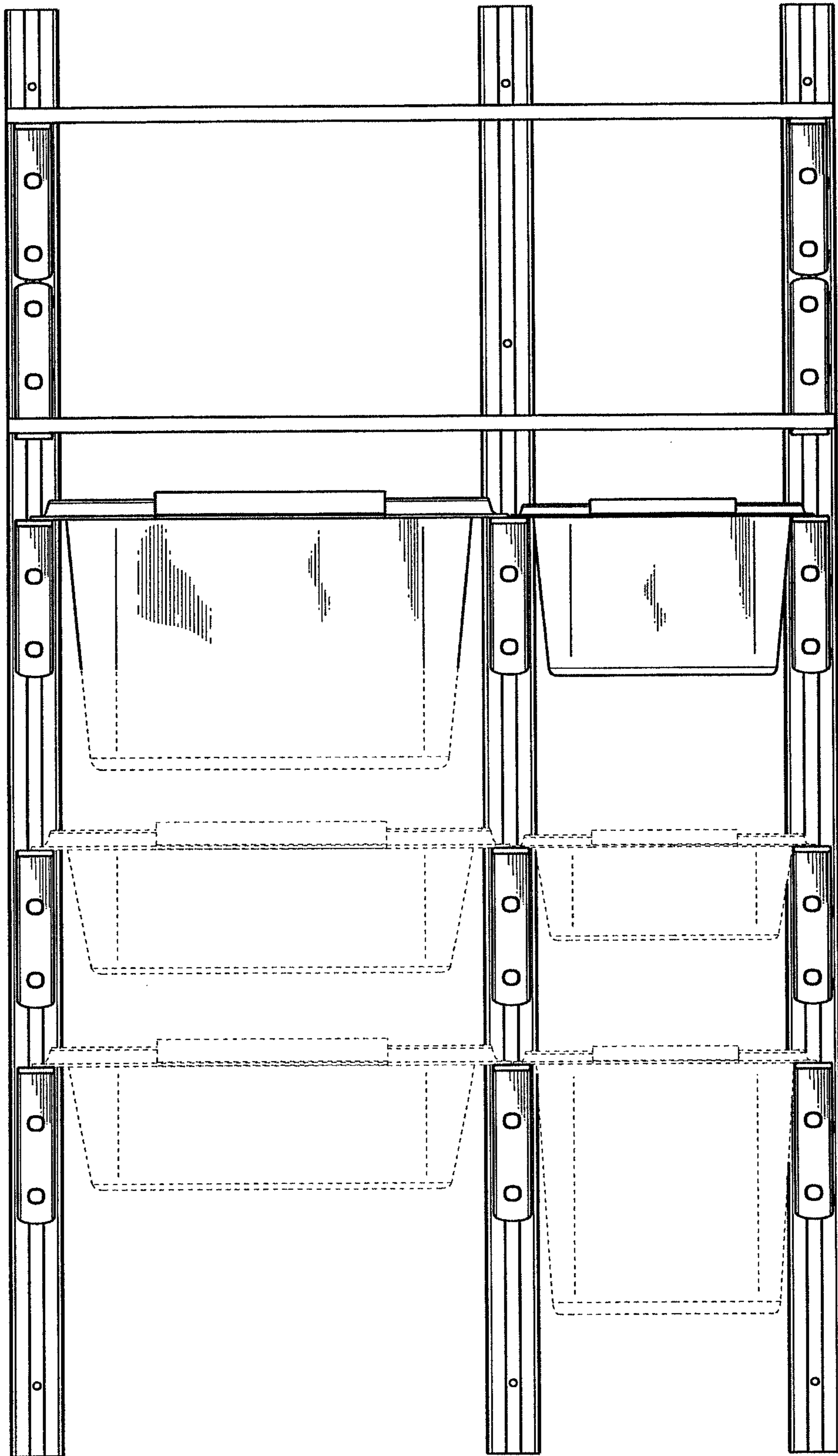


**Fig. 1**

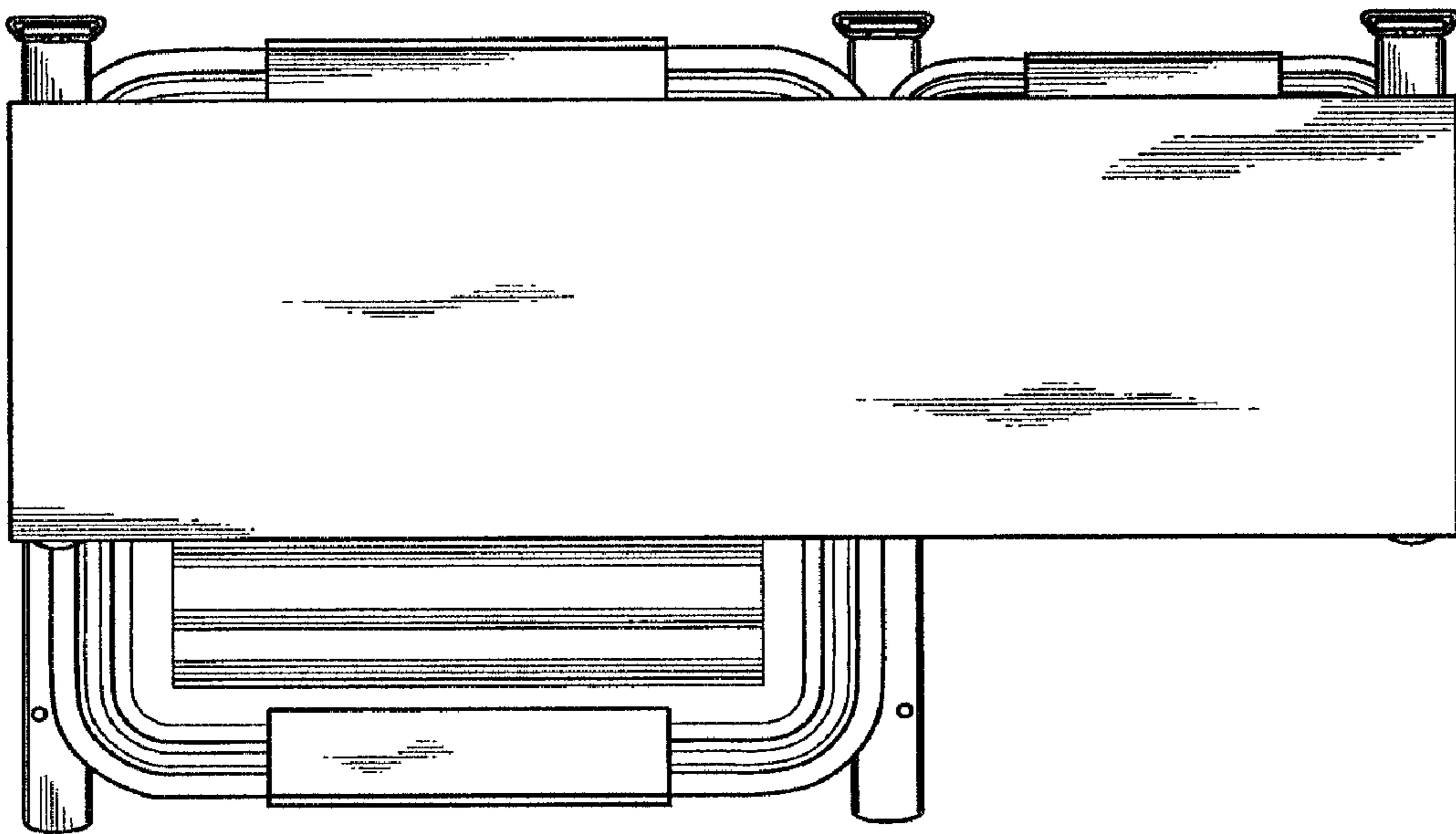




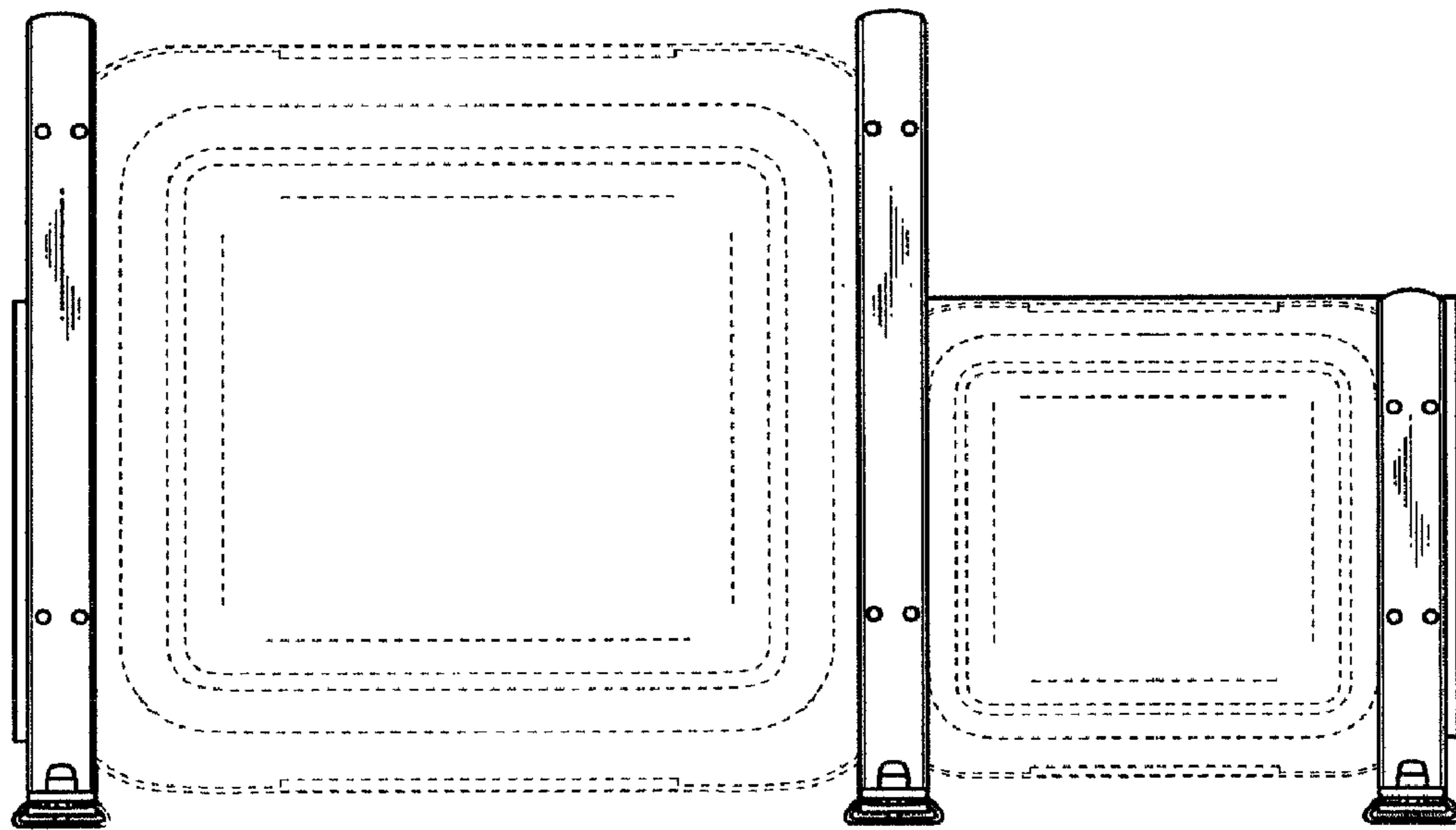
**Fig. 2**



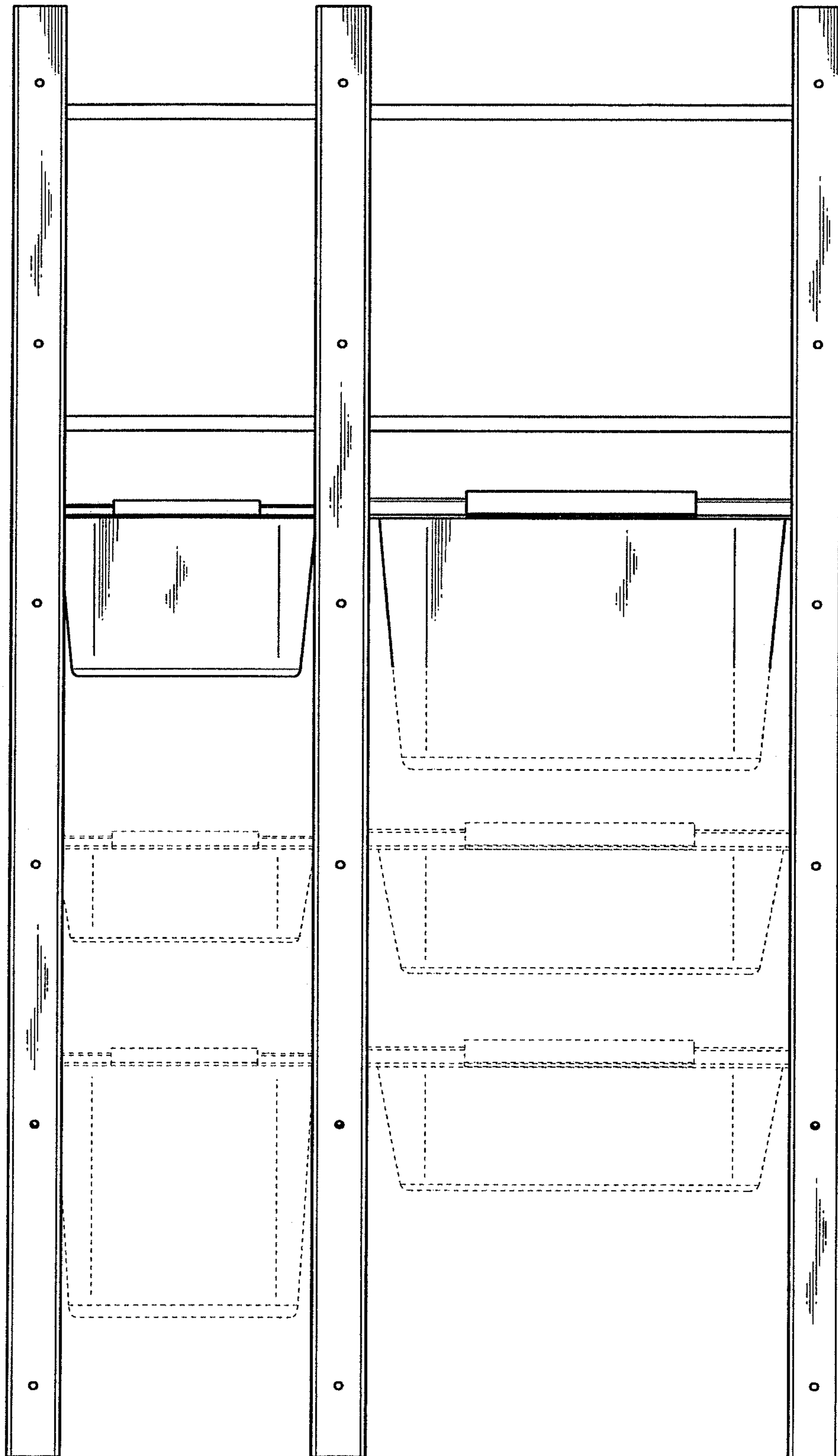
**Fig. 3**



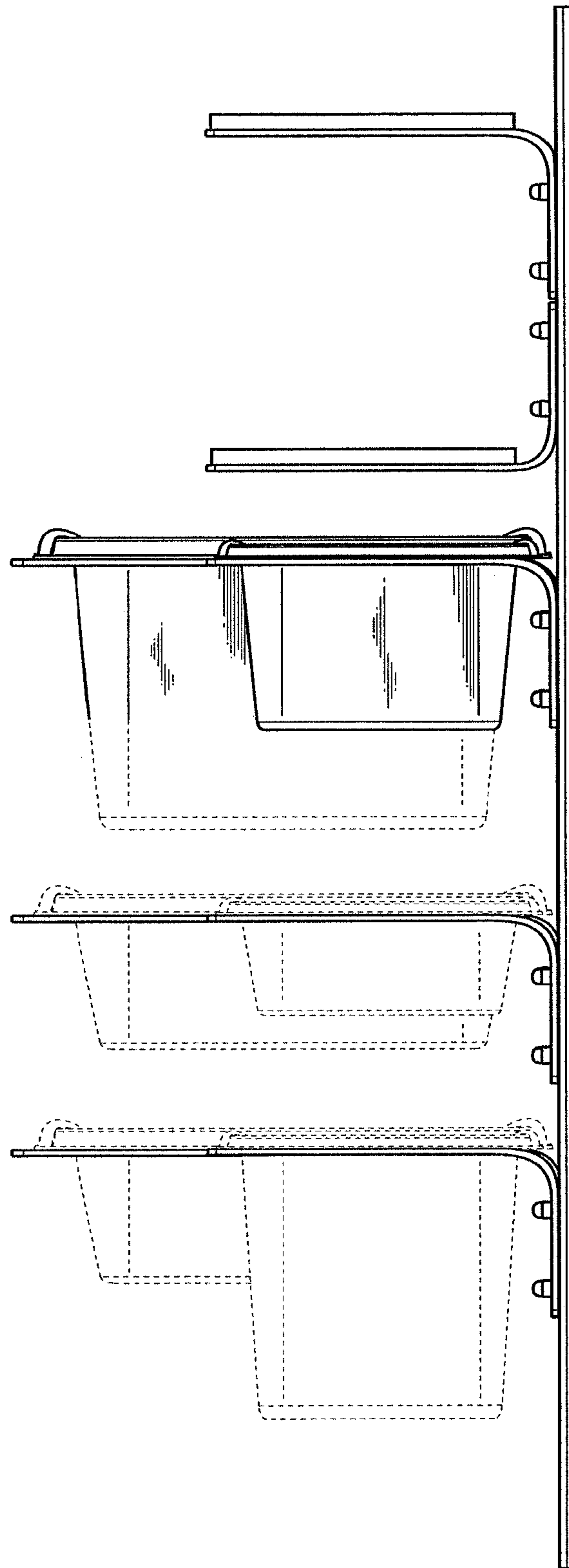
*Fig. 4*



*Fig. 5*

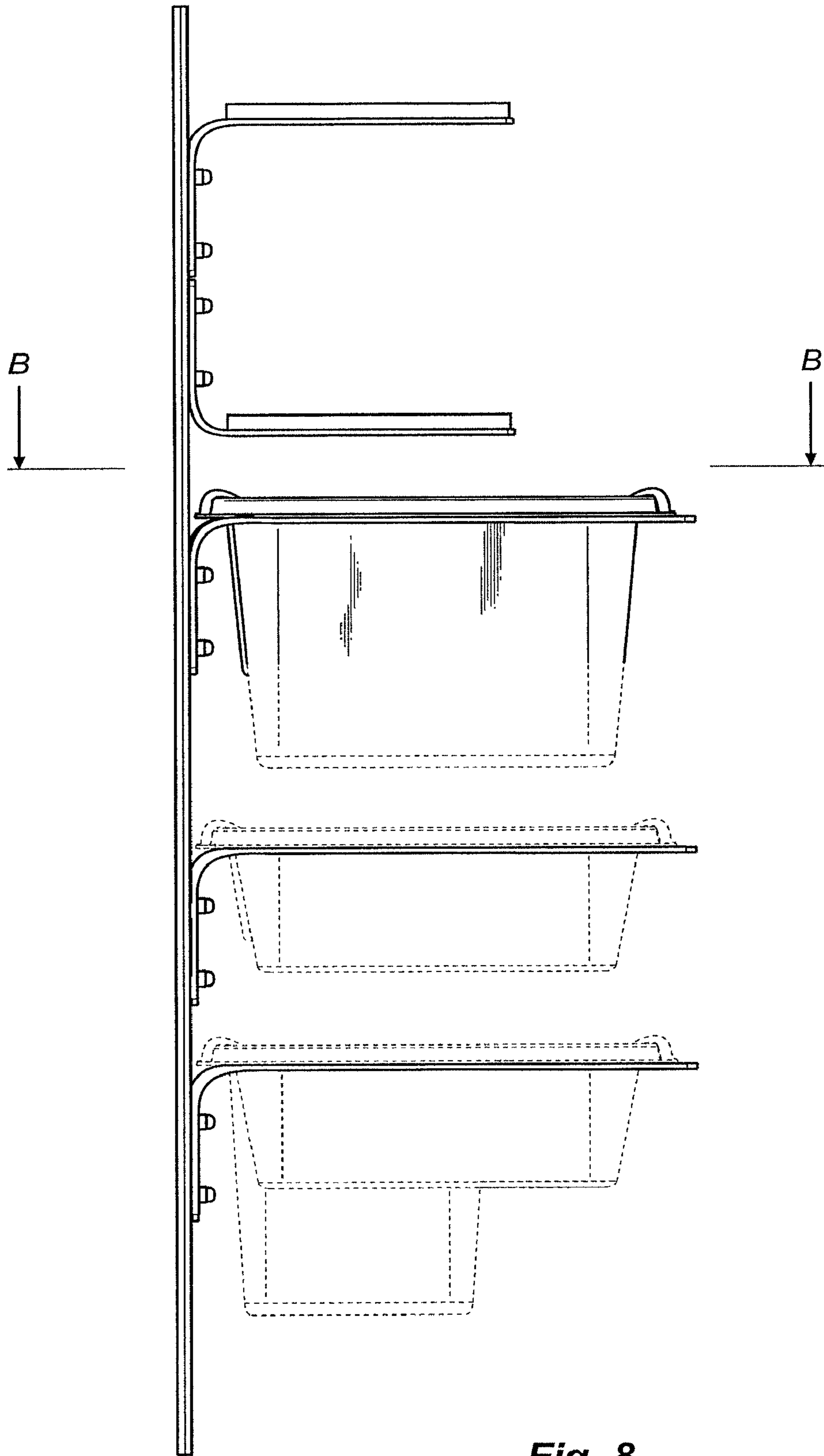


*Fig. 6*

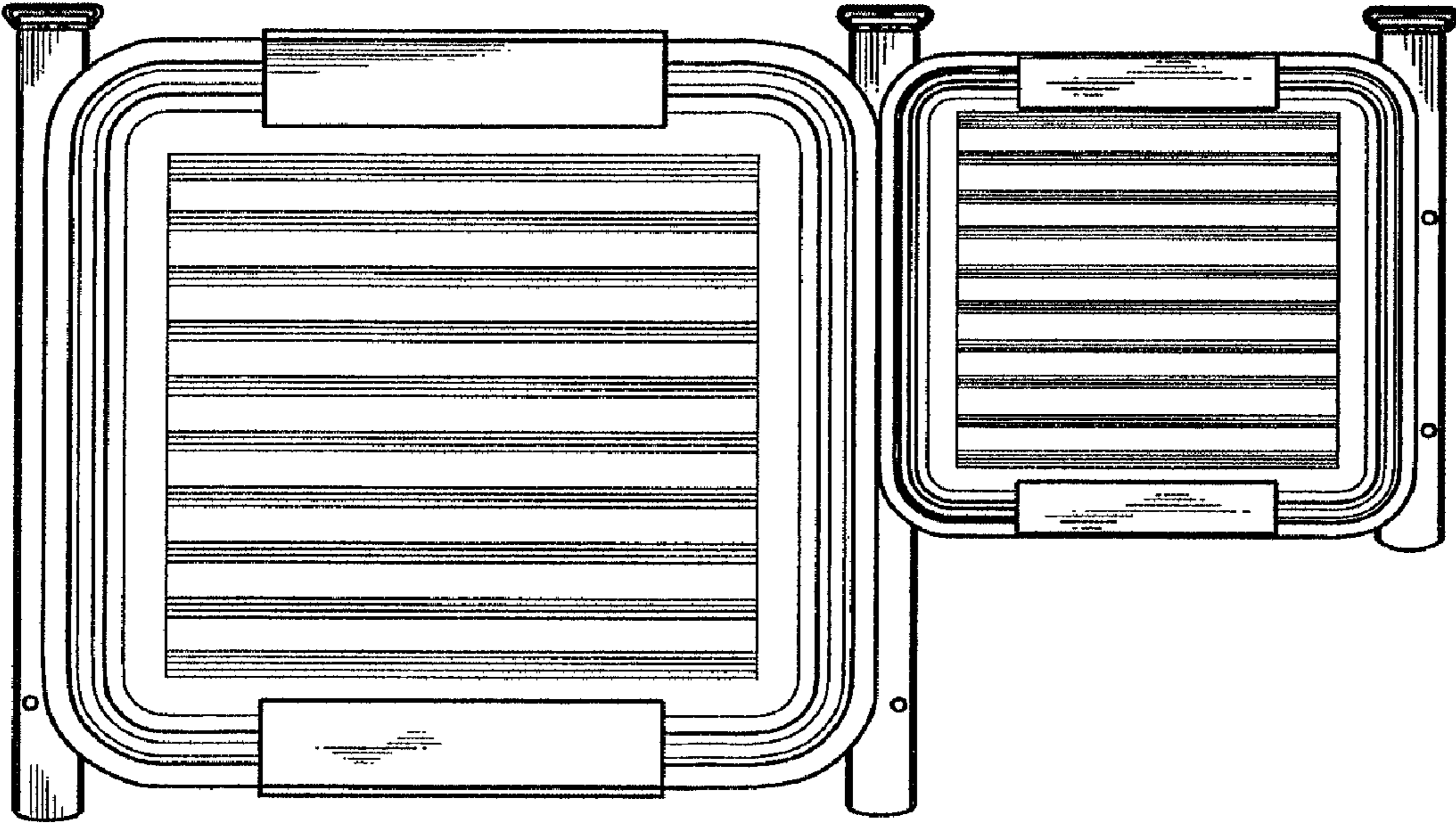


**Fig. 7**





**Fig. 8**



*B - B*

***Fig. 9***