



US00D655548S

(12) **United States Design Patent**  
**Lawrence**

(10) **Patent No.:** **US D655,548 S**  
(45) **Date of Patent:** **\*\* Mar. 13, 2012**

- (54) **DEEP DROP ROD HOLDER**
- (75) Inventor: **David Wayne Lawrence**, Fort Pierce, FL (US)
- (73) Assignee: **David Wayne Lawrence**, Fort Pierce, FL (US)
- (\*\*) Term: **14 Years**
- (21) Appl. No.: **29/356,875**
- (22) Filed: **Apr. 5, 2010**
- (51) **LOC (9) Cl.** ..... **08-08**
- (52) **U.S. Cl.** ..... **D6/552**
- (58) **Field of Classification Search** ..... D6/552, D6/553, 567; D22/109; 211/13.1, 60.1, 211/64, 70.2, 70.6, 70.8  
See application file for complete search history.

- D587,051 S \* 2/2009 Vining ..... D6/552
- D609,516 S \* 2/2010 Vining ..... D6/552
- D643,658 S \* 8/2011 Vining ..... D6/552

\* cited by examiner

*Primary Examiner* — Brian N Vinson

(57) **CLAIM**  
The ornamental design for a deep drop rod holder, as shown and described.

**DESCRIPTION**

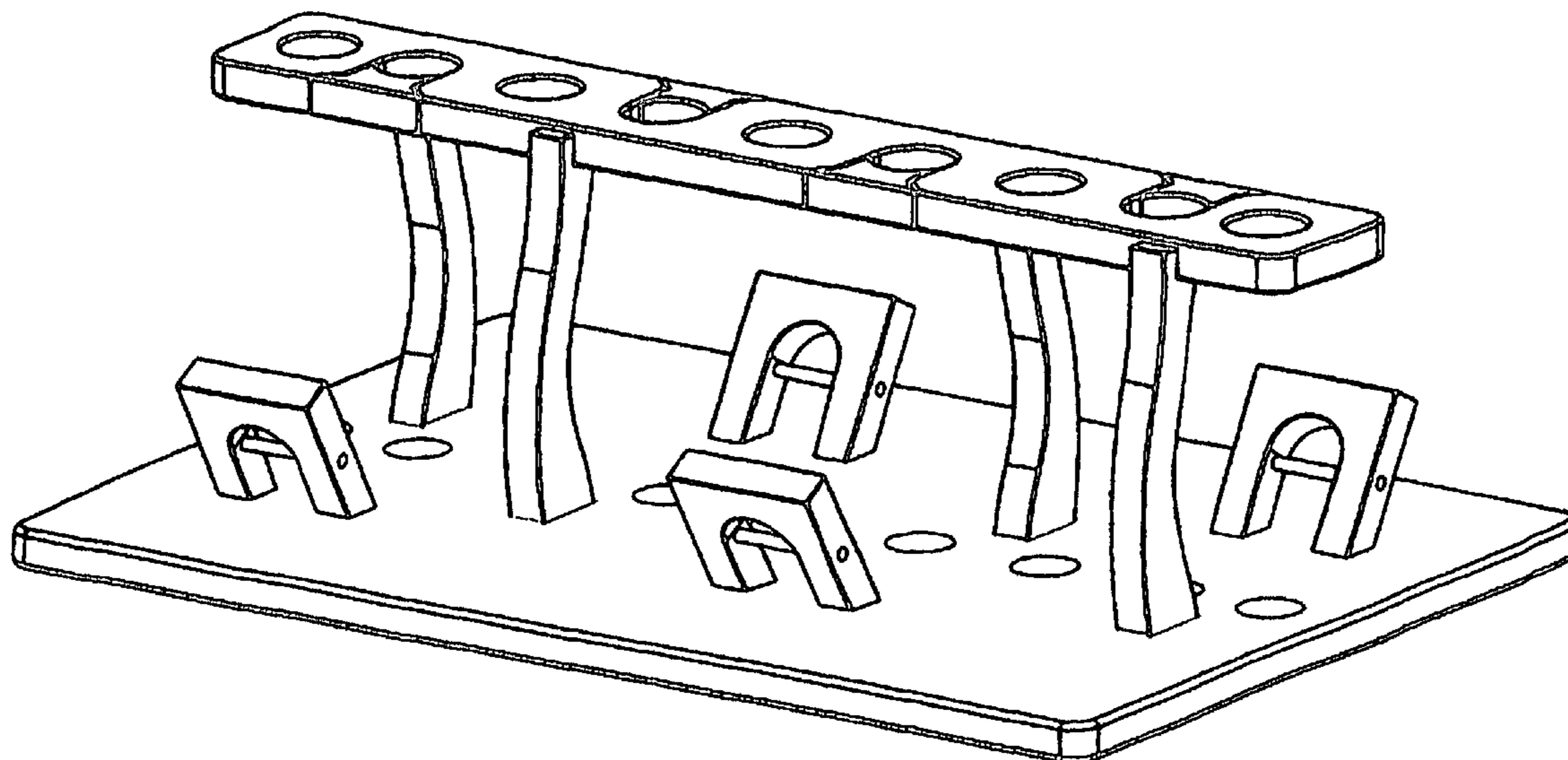
FIG. 1 is the top perspective view of the deep drop rod holder of the instant invention;  
FIG. 2 is the front elevation view thereof; rear side being mirror image.  
FIG. 3 is the top plan view thereof;  
FIG. 4 is the bottom plan view thereof; and,  
FIG. 5 is right side elevation view thereof; Left side being mirror image.

(56) **References Cited**

U.S. PATENT DOCUMENTS

- D459,625 S \* 7/2002 Zebbedies ..... D6/552

**1 Claim, 5 Drawing Sheets**



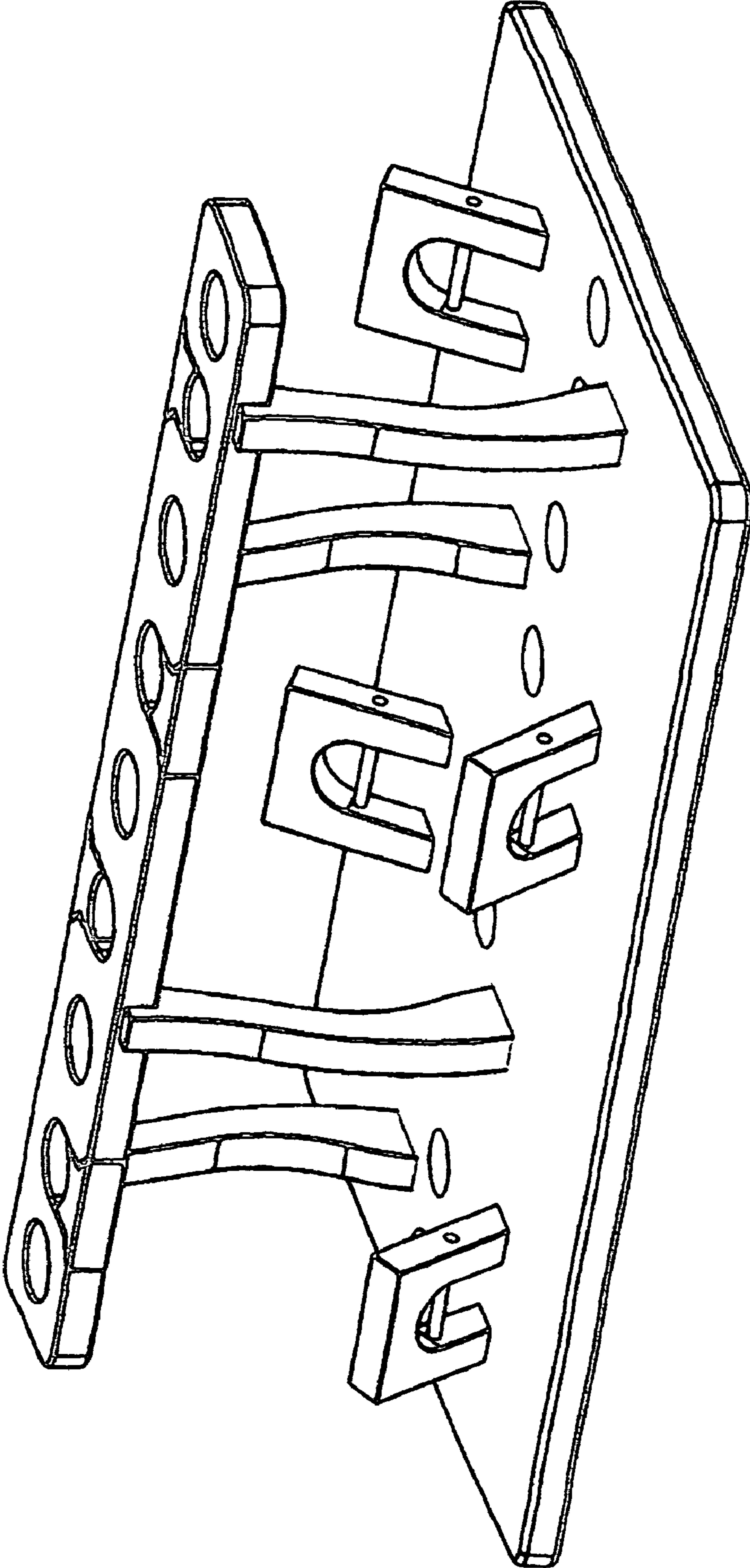


FIG.1

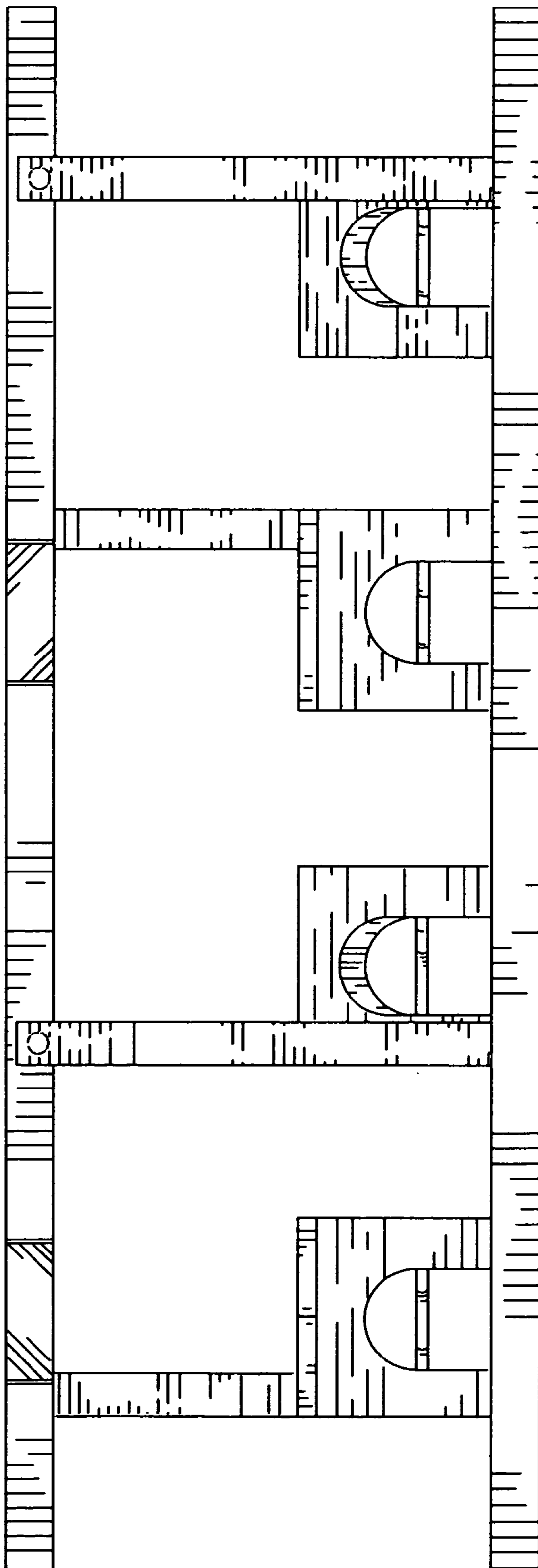


FIG. 2

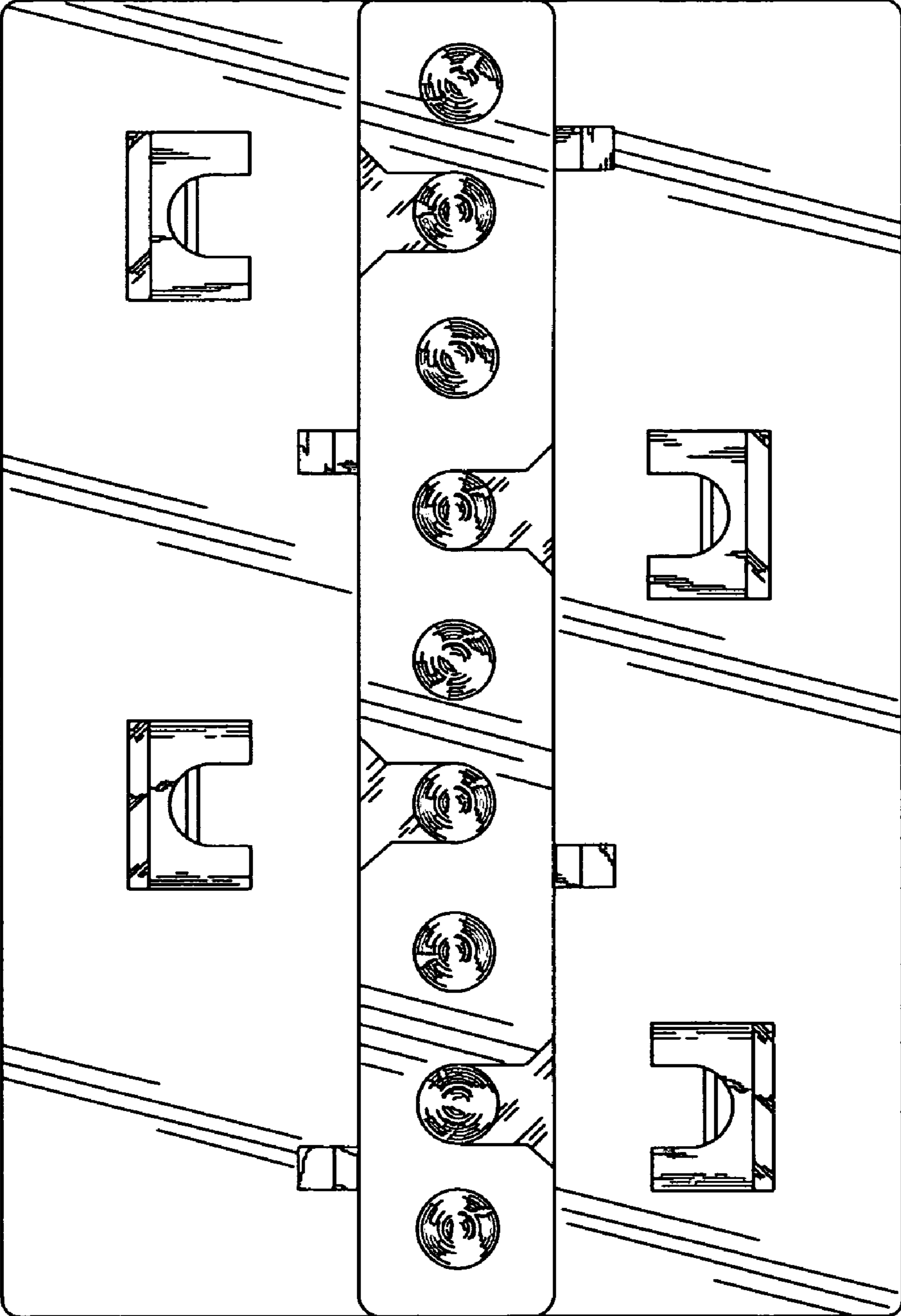


FIG. 3

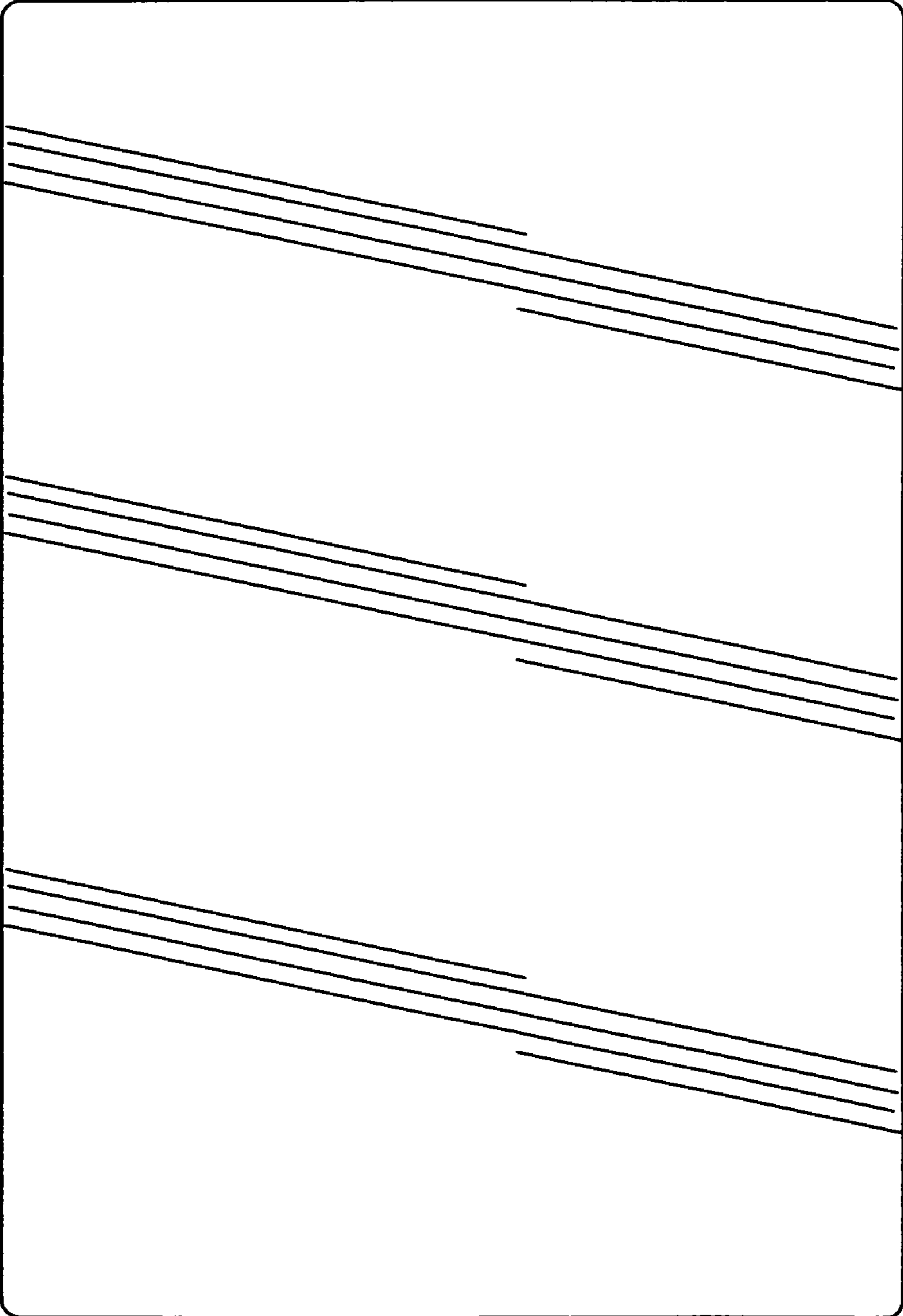


FIG.4

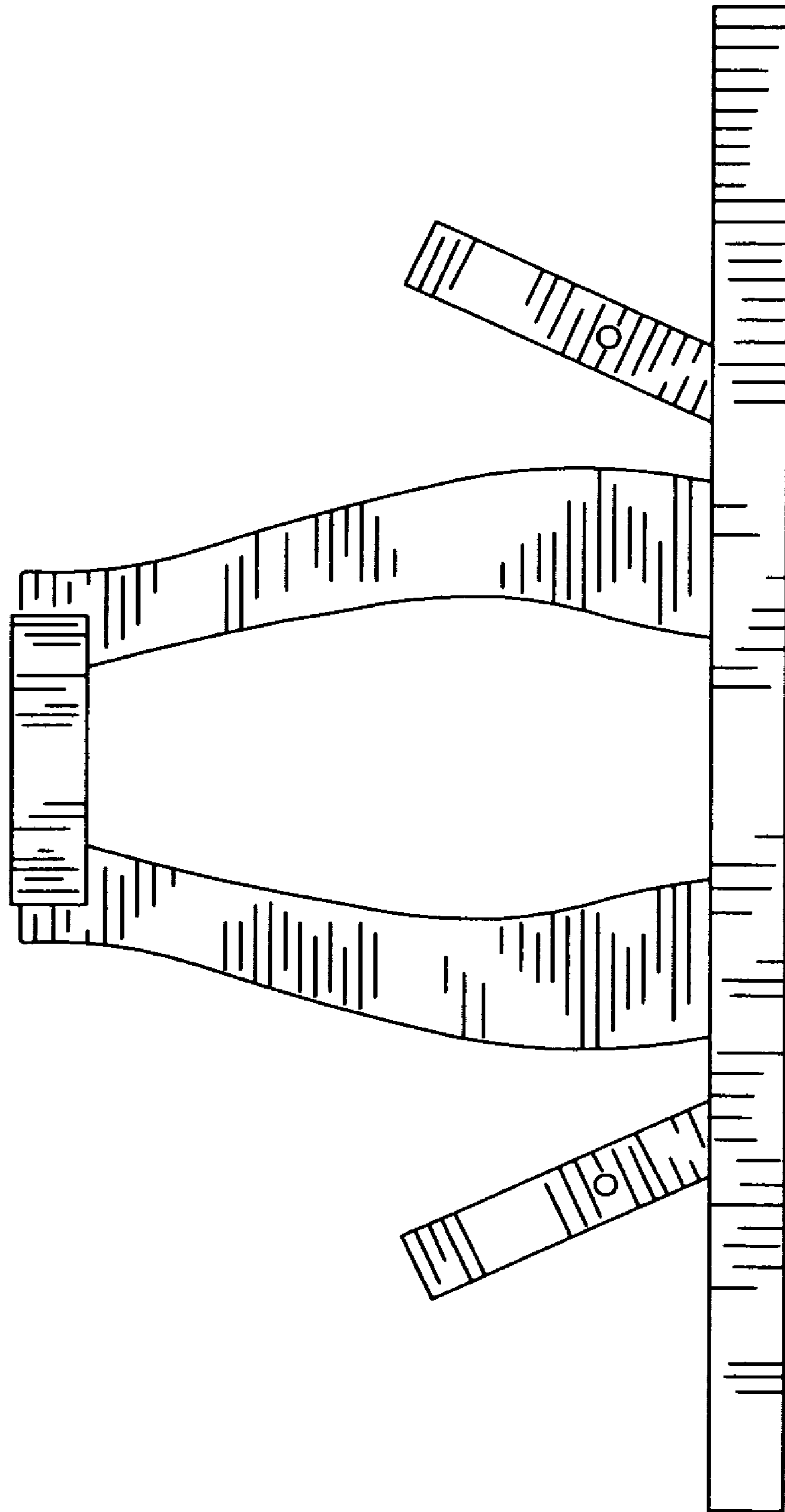


FIG. 5