



US00D655547S

(12) **United States Design Patent**  
**Domanski**

(10) **Patent No.:** **US D655,547 S**  
(45) **Date of Patent:** **\*\* Mar. 13, 2012**

(54) **ACCESSORY POST**

(75) Inventor: **David George Domanski**, Lakewood,  
OH (US)

(73) Assignee: **Moen Incorporated**, North Olmsted,  
OH (US)

(\*\*) Term: **14 Years**

(21) Appl. No.: **29/386,943**

(22) Filed: **Mar. 7, 2011**

(51) **LOC (9) Cl.** ..... **23-02**

(52) **U.S. Cl.** ..... **D6/524; D6/550**

(58) **Field of Classification Search** ..... D6/518-524,  
D6/546-550; D8/300, 370, 315; 108/28-29;  
211/13.1, 16, 85.5, 86.01, 87.01, 88.04, 100,  
211/105.1, 105.2, 106, 113, 123, 181.1, 182-183;  
248/49, 175, 176.1, 200, 201, 205.1, 251,  
248/302, 309.1, 315; 242/570, 590, 595-598  
See application file for complete search history.

(56) **References Cited**

U.S. PATENT DOCUMENTS

1,177,232 A 3/1916 Chisholm  
(Continued)

*Primary Examiner* — Brian N Vinson

(74) *Attorney, Agent, or Firm* — Calfee, Halter & Griswold  
LLP

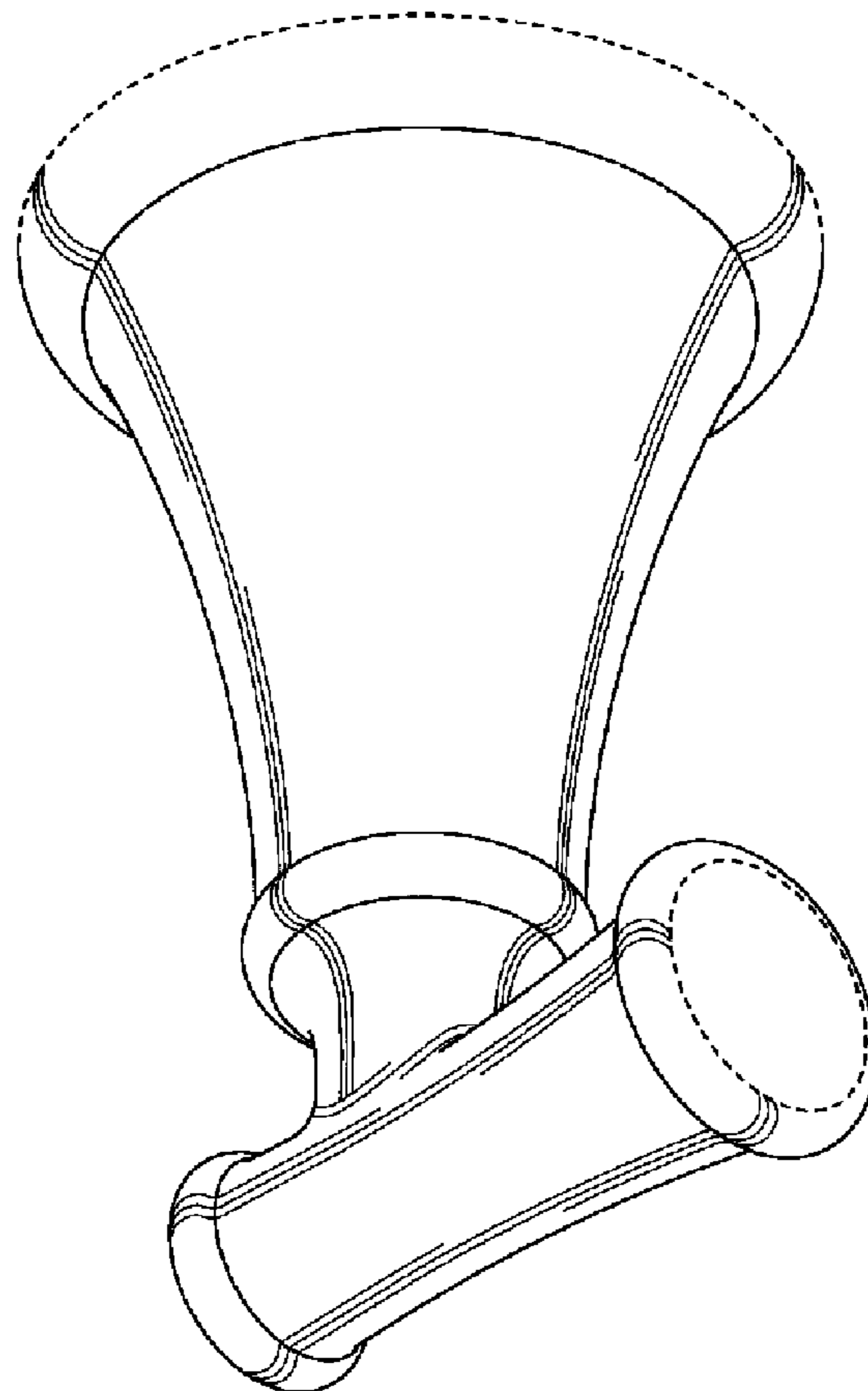
(57) **CLAIM**

The ornamental design for an accessory post, as shown and  
described.

**DESCRIPTION**

FIG. 1 is a perspective view of an accessory post of the new  
design;  
FIG. 2 is a front elevational view of the accessory post of FIG.  
1;  
FIG. 3 is a rear elevational view of the accessory post of FIG.  
1;  
FIG. 4 is a left side elevational view of the accessory post of  
FIG. 1;  
FIG. 5 is a right side elevational view of the accessory post of  
FIG. 1; and,  
FIG. 6 is a top plan view of the accessory post of FIG. 1, the  
bottom plan view being a mirror image thereof.  
The portions of the Figures shown in broken lines are not part  
of the claimed design and are for illustration only.

**1 Claim, 3 Drawing Sheets**



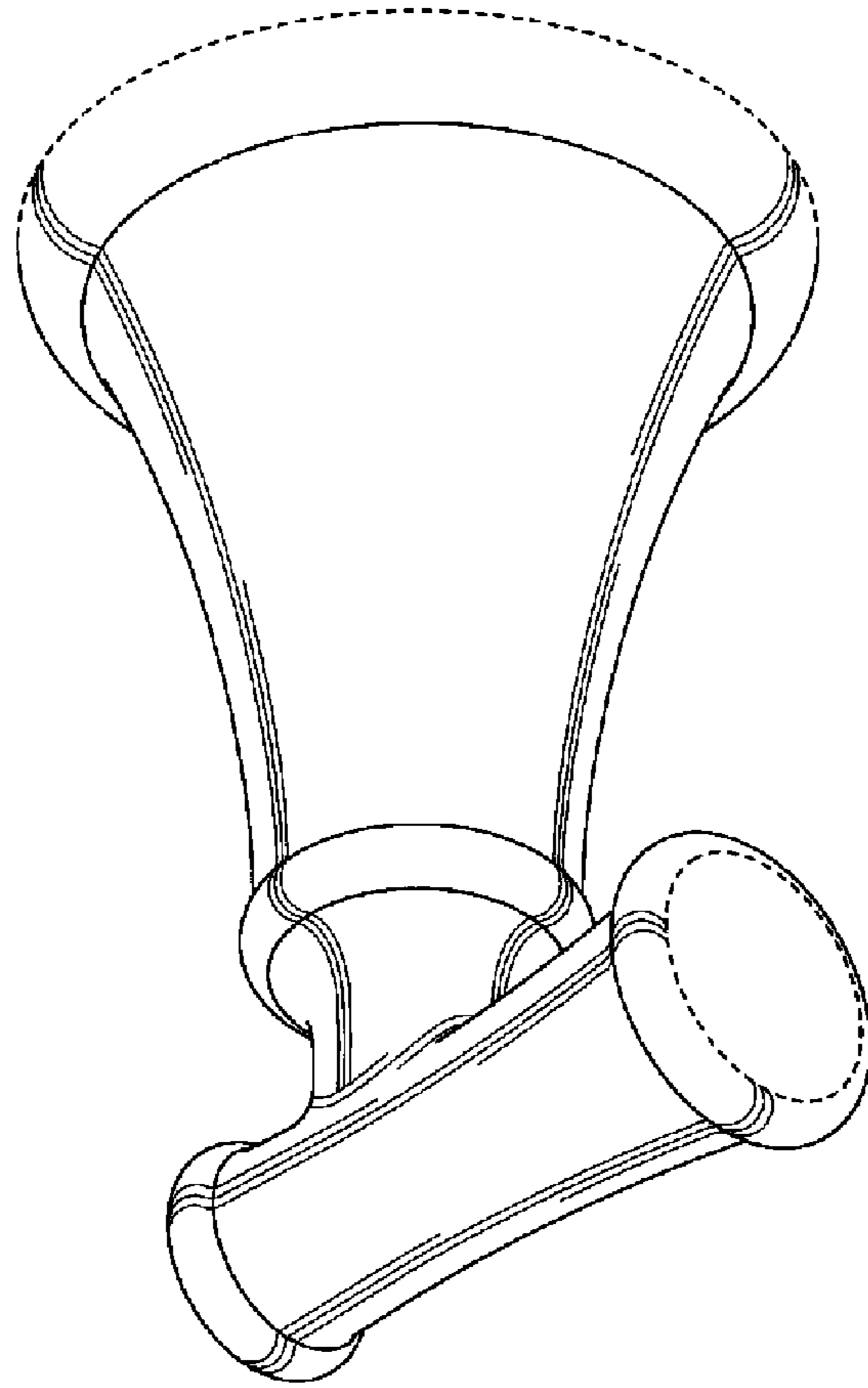
# US D655,547 S

Page 2

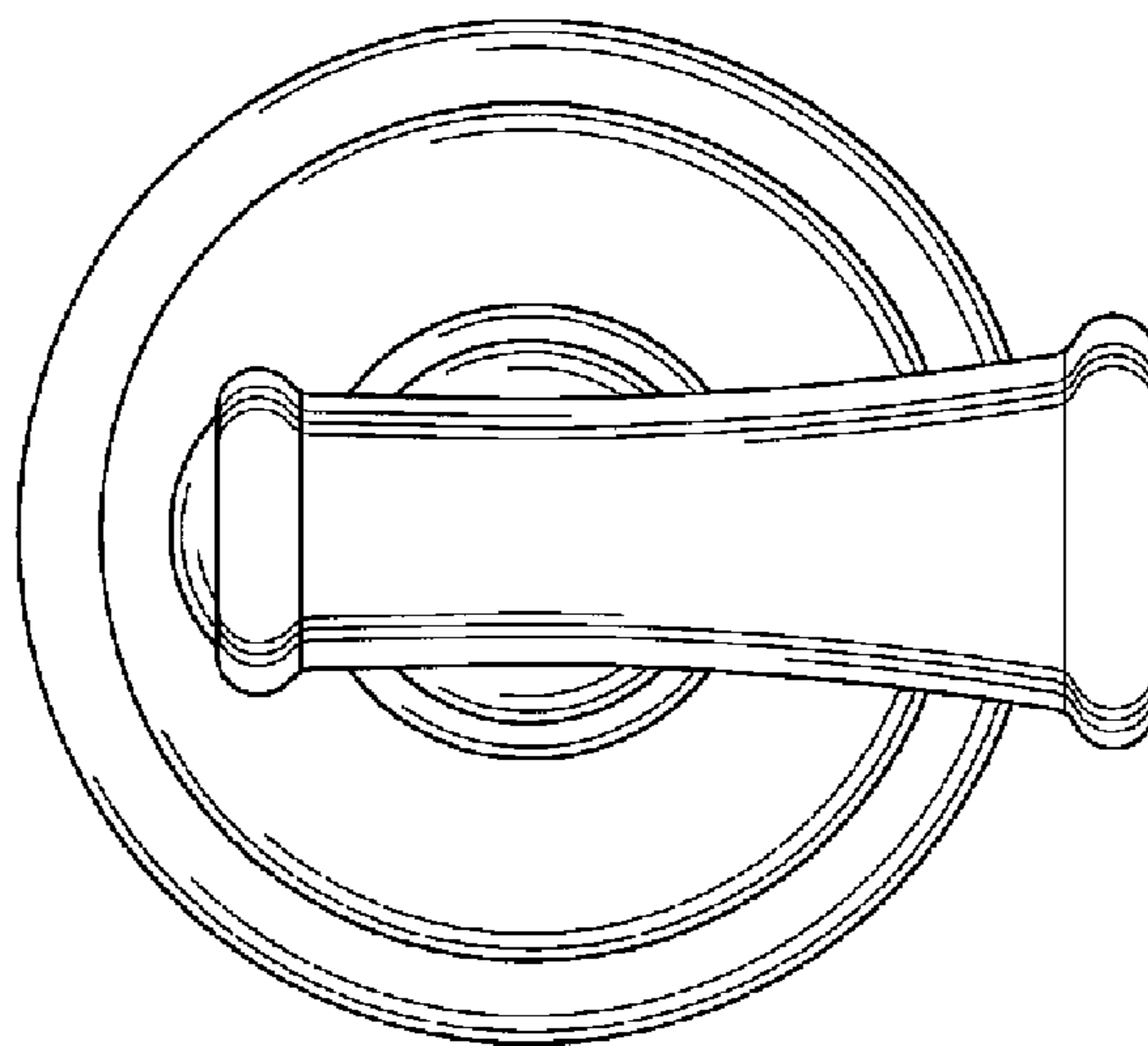
## U.S. PATENT DOCUMENTS

1,721,305 A	7/1929	Koering		D512,860 S	12/2005	Ferrer Beltran
1,773,586 A	8/1930	Koering		D513,459 S	1/2006	Ferrer Beltran
2,542,941 A	2/1951	Post		D514,856 S	2/2006	Ferrer Beltran
D285,597 S	9/1986	Miller et al.		D515,669 S	2/2006	Ying-Hui et al.
D320,335 S	10/1991	Bengtson		D516,349 S	3/2006	Ferrer Beltran
D332,824 S	1/1993	Robbins		D516,675 S	3/2006	Kakahana
D337,230 S	7/1993	Wang		D518,150 S	3/2006	Chu
D348,509 S	7/1994	Bollenbacher		D518,325 S *	4/2006	Gilbert ..... D6/550
D350,390 S	9/1994	Bollenbacher		D518,880 S	4/2006	Singtoroj
D352,095 S	11/1994	Bollenbacher		D520,282 S	5/2006	Hoernig
D362,361 S	9/1995	Lehn et al.		D520,789 S	5/2006	Zhu et al.
D371,826 S	7/1996	Robbins		D520,790 S	5/2006	Chen
D390,397 S	2/1998	Chen		D521,295 S	5/2006	Gilbert
D392,139 S	3/1998	Wu		D523,119 S	6/2006	Fritz
D407,466 S	3/1999	Hundley et al.		D524,918 S	7/2006	Barry
D422,820 S	4/2000	Chen		D530,795 S	10/2006	Sutopo
D463,533 S	9/2002	Ko		D531,703 S	11/2006	Tsai
D463,936 S *	10/2002	Chen ..... D6/550		D535,366 S	1/2007	Sedwick
D463,937 S	10/2002	Lee Wang		D540,087 S	4/2007	Barry
D466,349 S	12/2002	Tai		D540,588 S	4/2007	Hoernig
D466,703 S	12/2002	Chou		D542,383 S	5/2007	Chu
D466,735 S	12/2002	Moore		D546,606 S	7/2007	Berberet
D469,292 S	1/2003	Chen et al.		D557,049 S	12/2007	Sedwick et al.
D469,644 S *	2/2003	Yen ..... D6/550		D561,508 S *	2/2008	Guo ..... D6/524
D473,412 S	4/2003	Chou		D563,707 S	3/2008	Lee
D474,263 S	5/2003	Wales		D581,488 S	11/2008	Dolan
D474,957 S	5/2003	Singtoroj et al.		D582,522 S	12/2008	Hanna
D475,438 S	6/2003	Tolosa		D583,438 S	12/2008	Spangler
D475,767 S	6/2003	Yegyayan et al.		D591,834 S	5/2009	Williams
D478,375 S	8/2003	Hundley		D600,056 S	9/2009	Coronado Careaga
D482,757 S	11/2003	Blomstrom		D604,542 S	11/2009	Kuo
D483,585 S *	12/2003	Chen ..... D6/524		D605,935 S	12/2009	Zeyfang
D484,720 S	1/2004	Moore		D606,169 S	12/2009	Lammel et al.
D498,625 S	11/2004	Chang		D609,515 S *	2/2010	Krumpe ..... D6/550
D501,346 S	2/2005	Gilbert		D619,222 S	7/2010	Smith et al.
D510,495 S	10/2005	Gilbert				

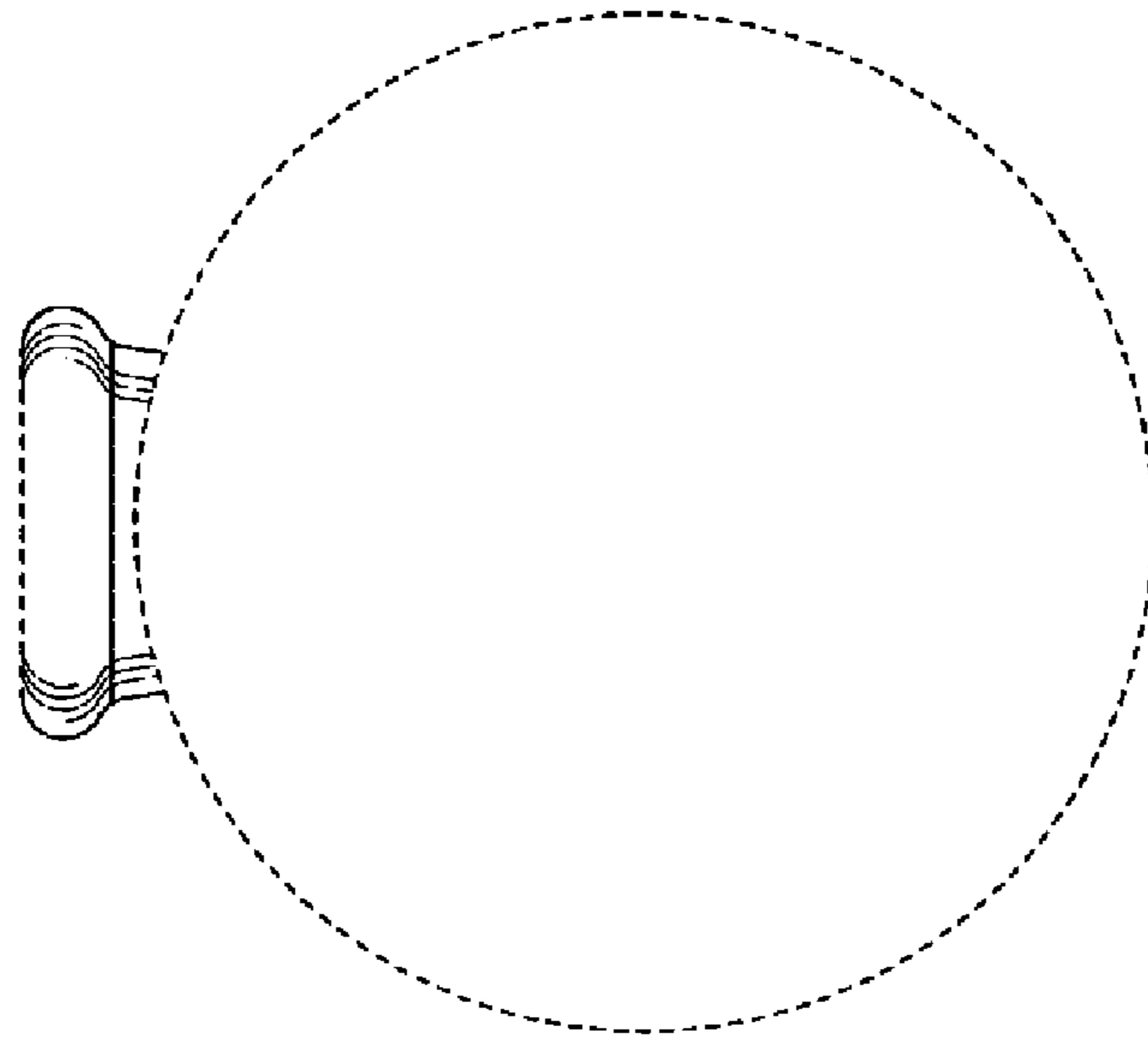
\* cited by examiner



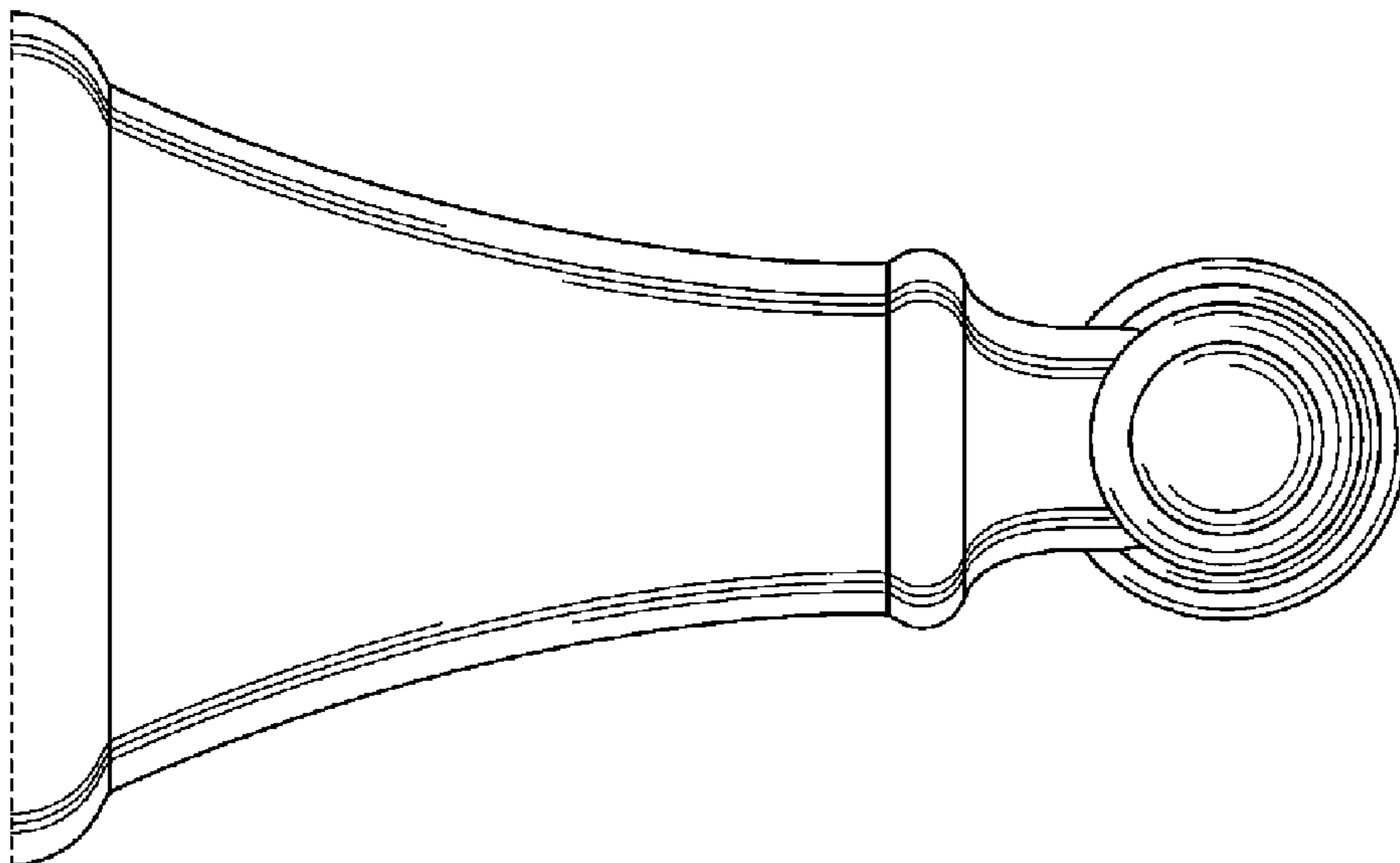
**FIG. 1**



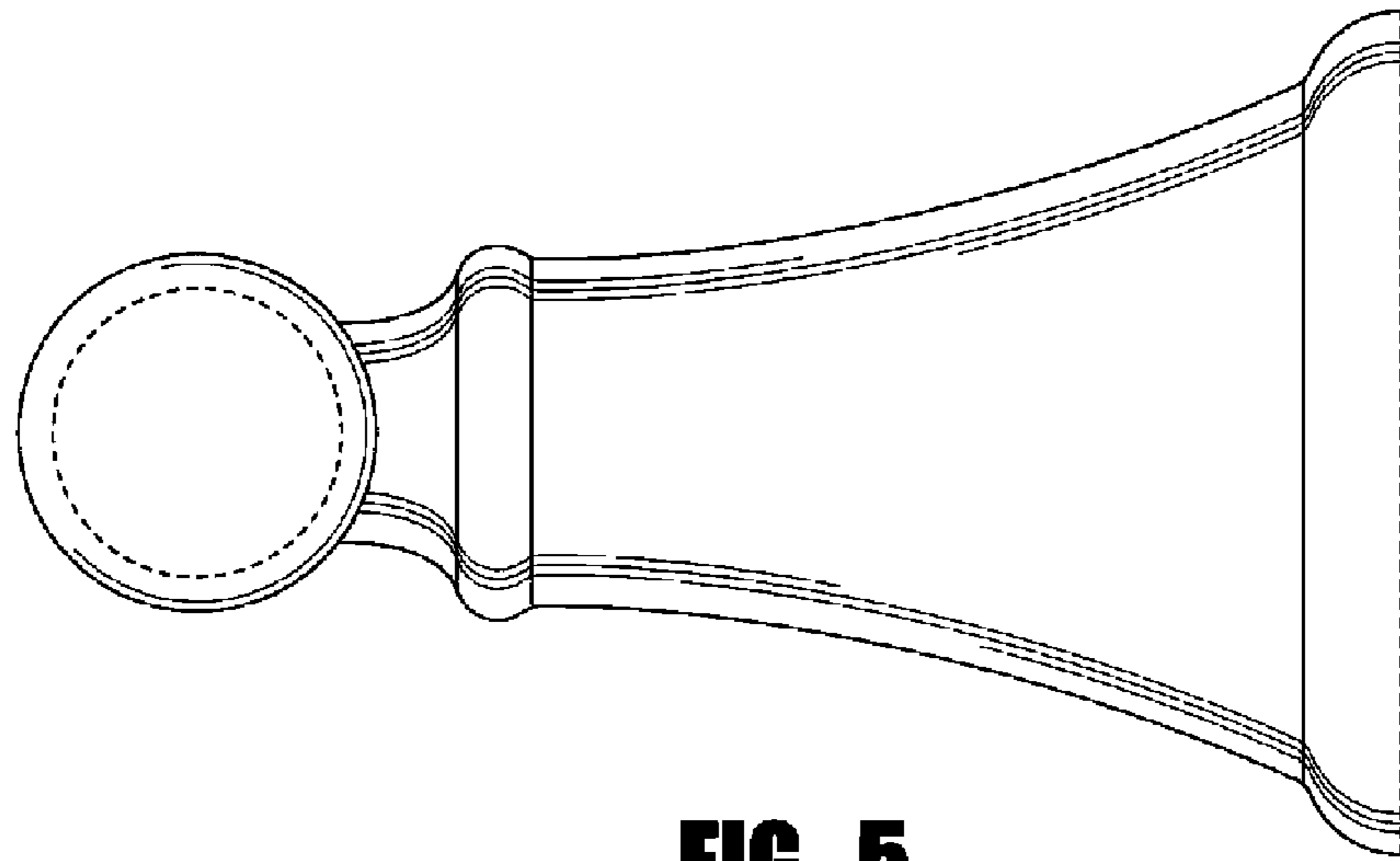
**FIG. 2**



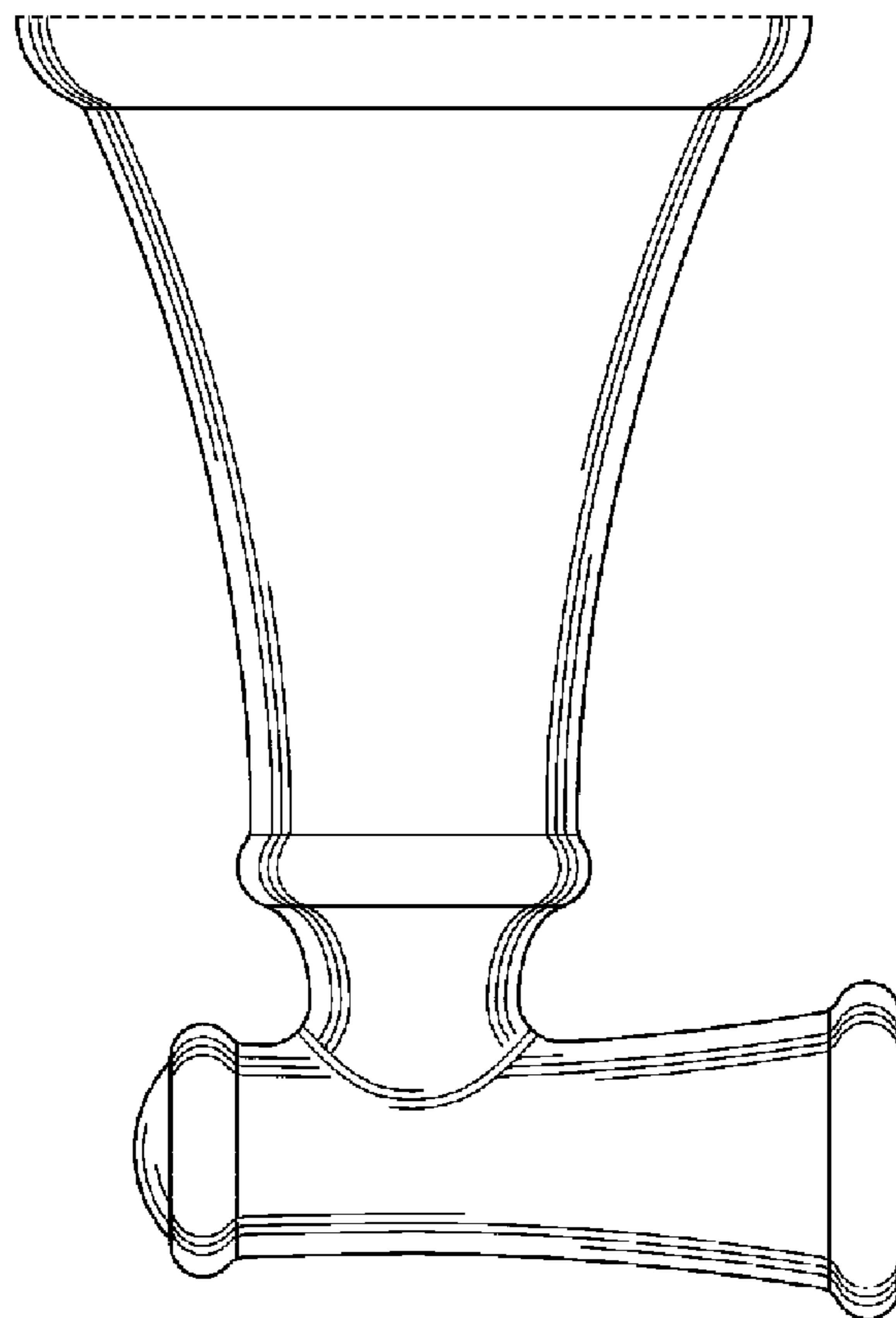
**FIG. 3**



**FIG. 4**



**FIG. 5**



**FIG. 6**