



US00D655546S

(12) **United States Design Patent**
Gilbert

(10) **Patent No.:** **US D655,546 S**
(45) **Date of Patent:** **** Mar. 13, 2012**

- (54) **ACCESSORY POST**
- (75) Inventor: **Christopher Jon Gilbert**, Moreland Hills, OH (US)
- (73) Assignee: **Moen Incorporated**, North Olmsted, OH (US)
- (**) Term: **14 Years**
- (21) Appl. No.: **29/386,941**
- (22) Filed: **Mar. 7, 2011**
- (51) **LOC (9) Cl.** **23-02**
- (52) **U.S. Cl.** **D6/524; D6/550**
- (58) **Field of Classification Search** D6/518-524, D6/546-550; D8/300, 370, 315; 108/28-29; 211/13.1, 16, 85.5, 86.01, 87.01, 88.04, 100, 211/105.1, 105.2, 106, 113, 123, 181.1, 182-183; 248/49, 175, 176.1, 200, 201, 205.1, 251, 248/302, 309.1, 315; 242/570, 590, 595-598
See application file for complete search history.

- D466,746 S 12/2002 Chen
- D475,767 S 6/2003 Yegyayan et al.
- D477,860 S 7/2003 Singtoroj
- D482,757 S 11/2003 Blomstrom
- D483,093 S 12/2003 Bates et al.
- D483,440 S 12/2003 Smith
- D498,290 S 11/2004 Egee
- D509,567 S 9/2005 Gilbert
- D512,131 S 11/2005 Kemp
- D512,860 S 12/2005 Ferrer Beltran
- D517,174 S 3/2006 Singtoroj
- D517,358 S 3/2006 Berberet
- D517,359 S 3/2006 Berberet
- D518,558 S 4/2006 Soriano

(Continued)

Primary Examiner — Brian N Vinson
(74) *Attorney, Agent, or Firm* — Calfee, Halter & Griswold LLP

(57) **CLAIM**
The ornamental design for an accessory post, as shown and described.

DESCRIPTION

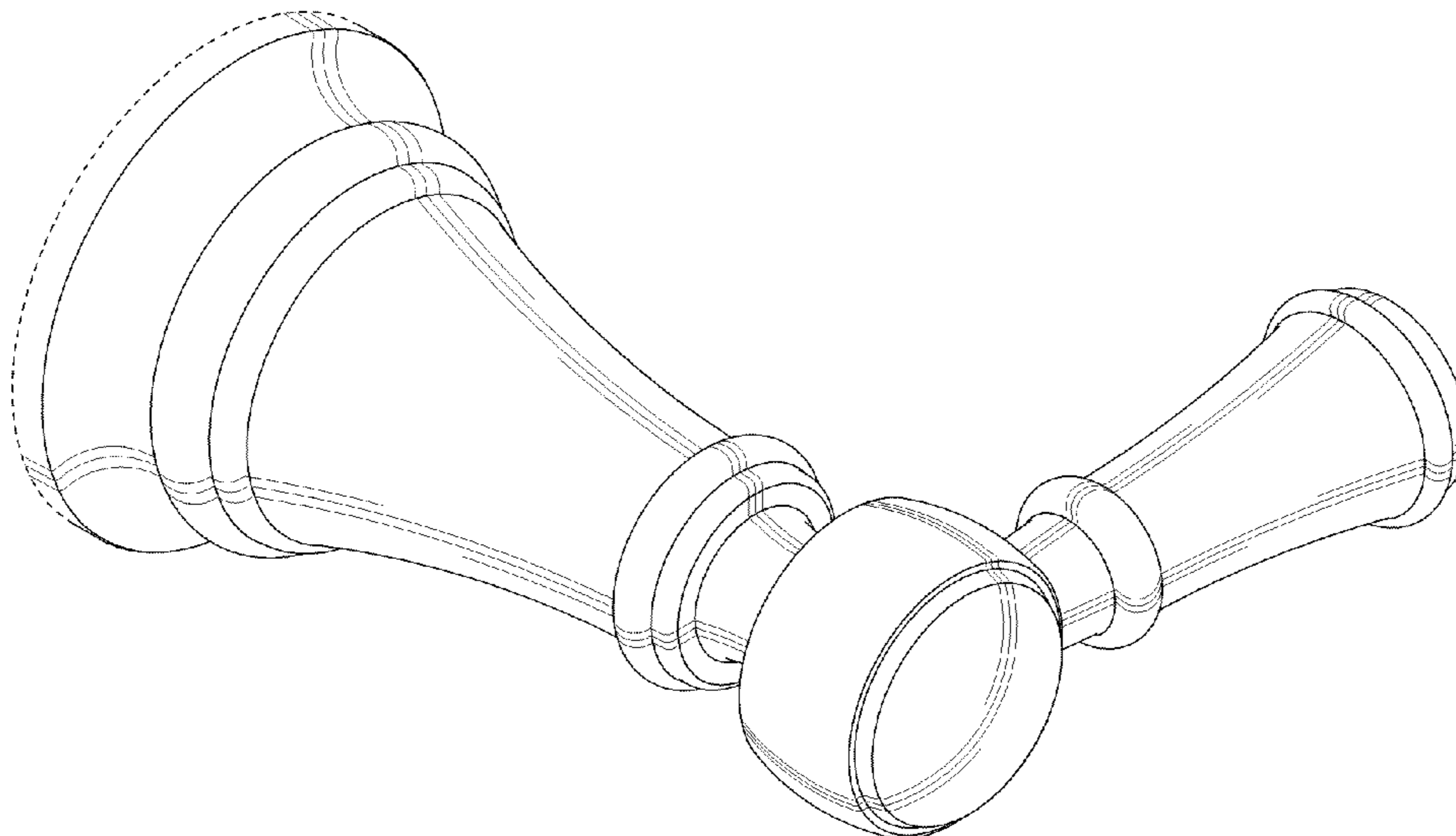
FIG. 1 is a perspective view of an accessory post of the new design;
FIG. 2 is a front elevational view of the accessory post of FIG. 1;
FIG. 3 is a rear elevational view of the accessory post of FIG. 1;
FIG. 4 is a left side elevational view of the accessory post of FIG. 1;
FIG. 5 is a right side elevational view of the accessory post of FIG. 1; and,
FIG. 6 is a top plan view of the accessory post of FIG. 1, the bottom plan view being a mirror image thereof.
The portions of the Figures shown in broken lines are not part of the claimed design and are for illustration only.

1 Claim, 3 Drawing Sheets

(56) **References Cited**

U.S. PATENT DOCUMENTS

D290,496 S	6/1987	Ryan
D290,740 S	7/1987	Yost
D332,824 S	1/1993	Robbins
D349,208 S	8/1994	Bollenbacher
D350,390 S	9/1994	Bollenbacher
D352,095 S	11/1994	Bollenbacher
D362,361 S	9/1995	Lehn et al.
D364,217 S	11/1995	Dubin
D371,826 S	7/1996	Robbins
D375,149 S	10/1996	Robbins
D390,921 S	2/1998	Steffes et al.
D407,466 S	3/1999	Hundley et al.
D449,950 S	11/2001	Lai
D459,128 S	6/2002	Meck et al.
D466,348 S	12/2002	Yen
D466,349 S	12/2002	Tai



US D655,546 S

Page 2

U.S. PATENT DOCUMENTS

D520,282 S	5/2006	Hoernig	
D520,790 S	5/2006	Chen	
D520,791 S *	5/2006	Solowiej	D6/550
D520,793 S	5/2006	Gilbert	
D522,345 S	6/2006	Soriano	
D523,119 S	6/2006	Fritz	
D523,121 S	6/2006	Schaffeld et al.	
D525,516 S	7/2006	Veltz	
D535,366 S	1/2007	Sedwick	
D540,586 S *	4/2007	Solowiej	D6/524
D544,269 S	6/2007	Hoernig	
D546,606 S	7/2007	Berberet	
D556,034 S	11/2007	Lee	
D557,049 S *	12/2007	Sedwick et al.	D6/524
D569,147 S *	5/2008	Gilbert	D6/524
D569,951 S	5/2008	Dolan	
D570,962 S	6/2008	Dolan	
D573,385 S	7/2008	Guo et al.	
D575,565 S	8/2008	Gilbert	
D579,748 S	11/2008	Schneider	
D581,028 S	11/2008	Dolan	
D581,488 S	11/2008	Dolan	
D582,015 S	12/2008	Yuan	
D582,522 S *	12/2008	Hanna	D6/524
D585,720 S	2/2009	Singtoroj et al.	
D591,542 S *	5/2009	Chen	D6/524
D591,834 S	5/2009	Williams	
D600,056 S	9/2009	Coronado Careaga	
D604,075 S	11/2009	Chen	
D616,682 S *	6/2010	Gilbert	D6/524
D635,381 S *	4/2011	Kim	D6/524

* cited by examiner

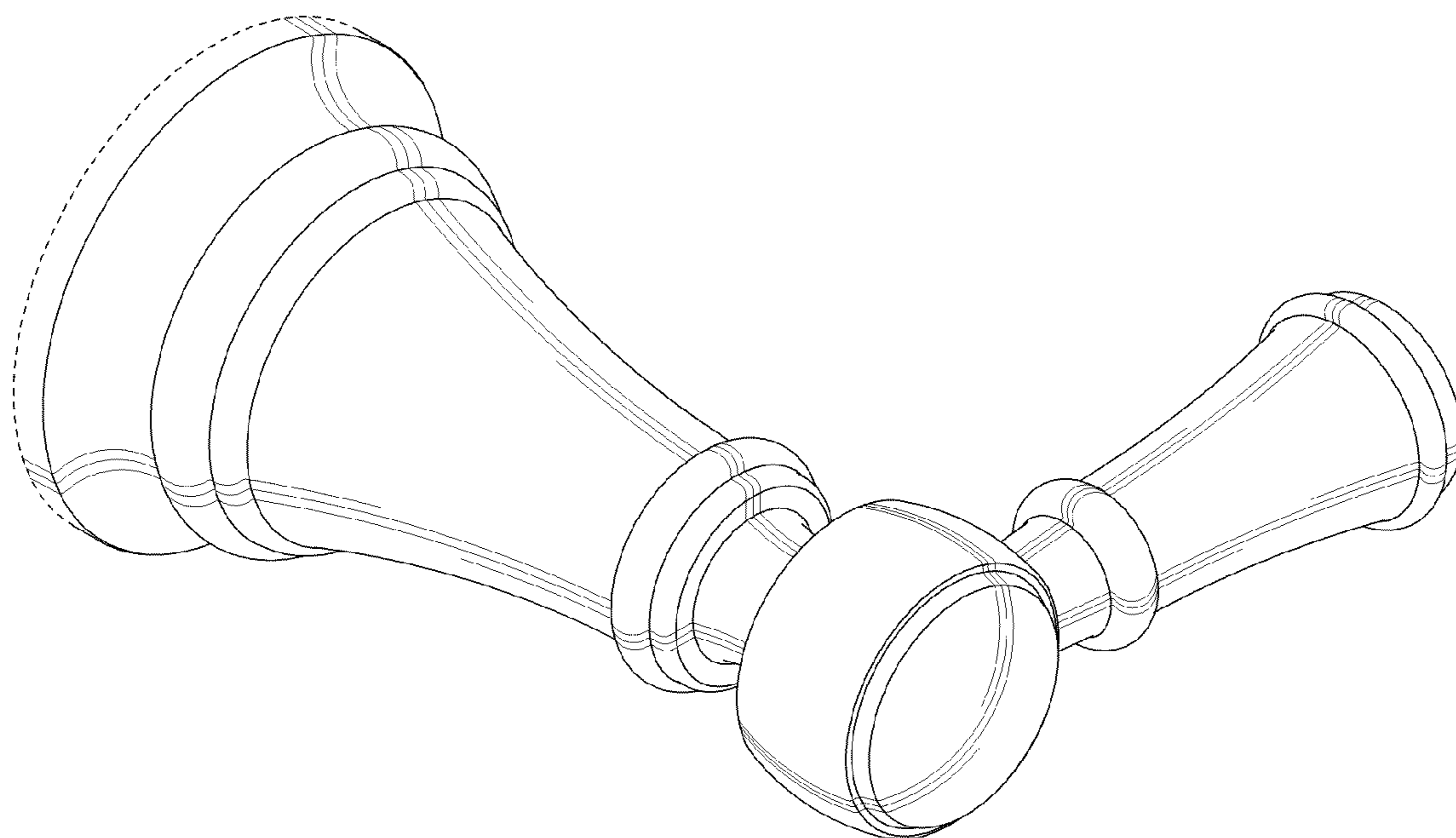


FIG. 1

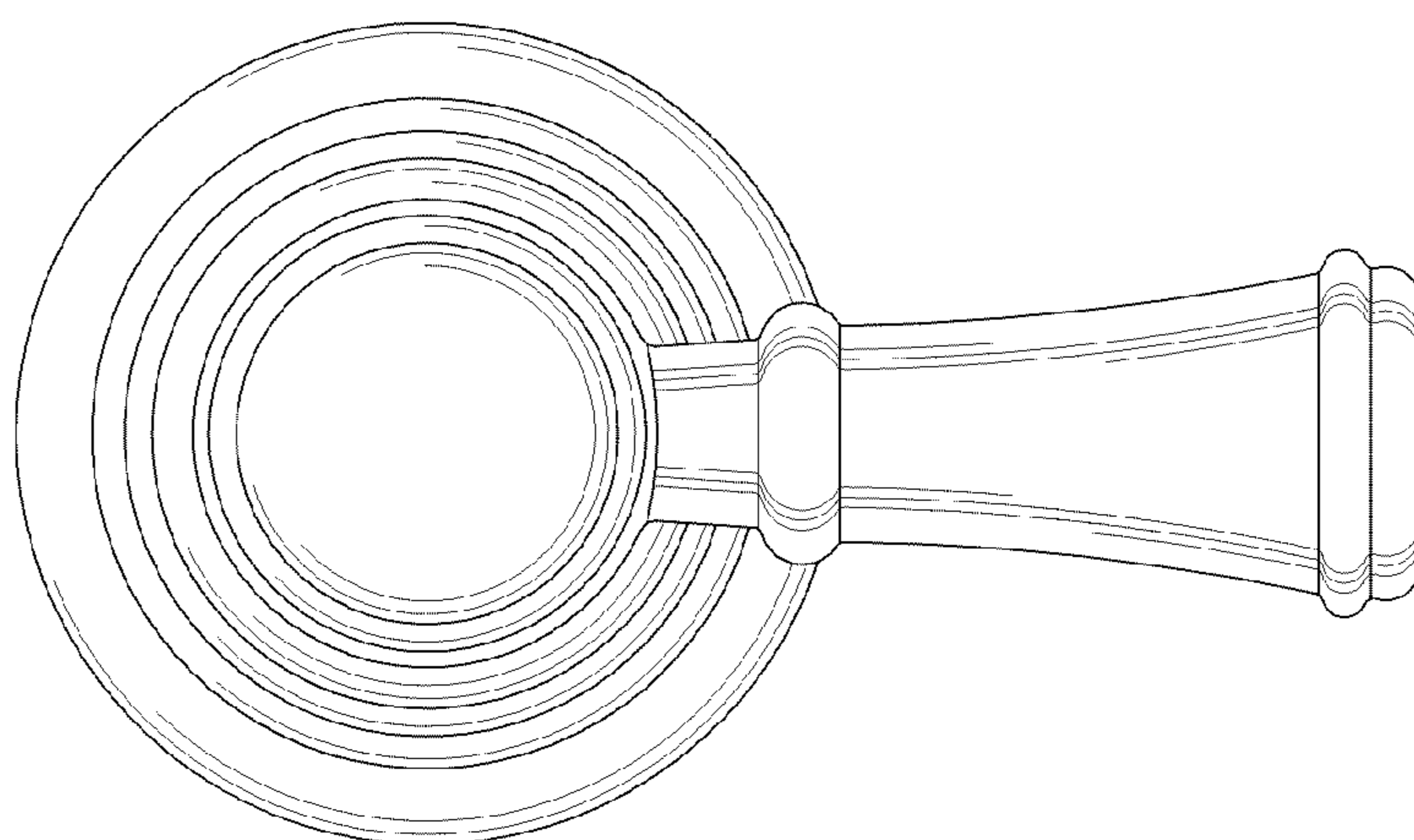


FIG. 2

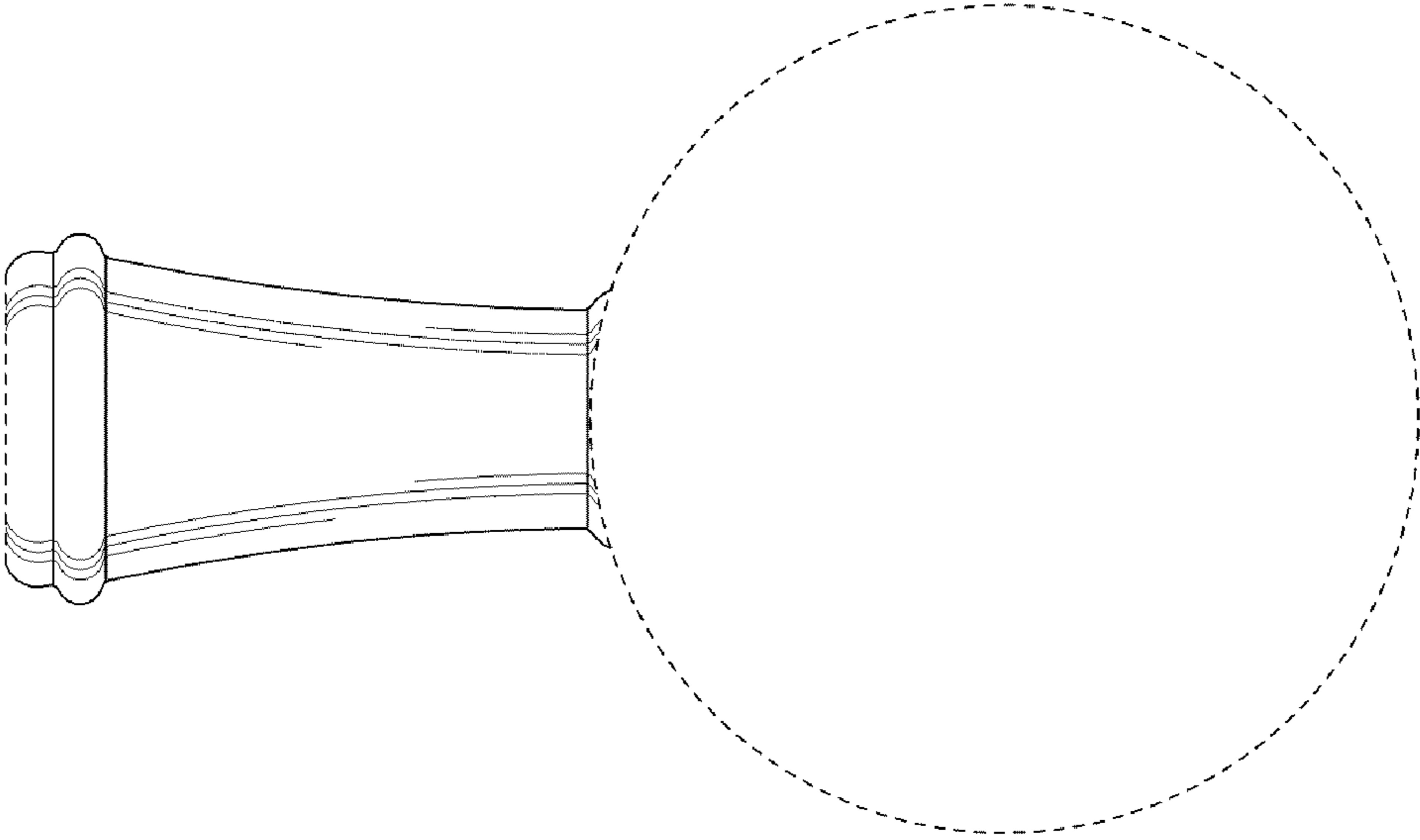


FIG. 3

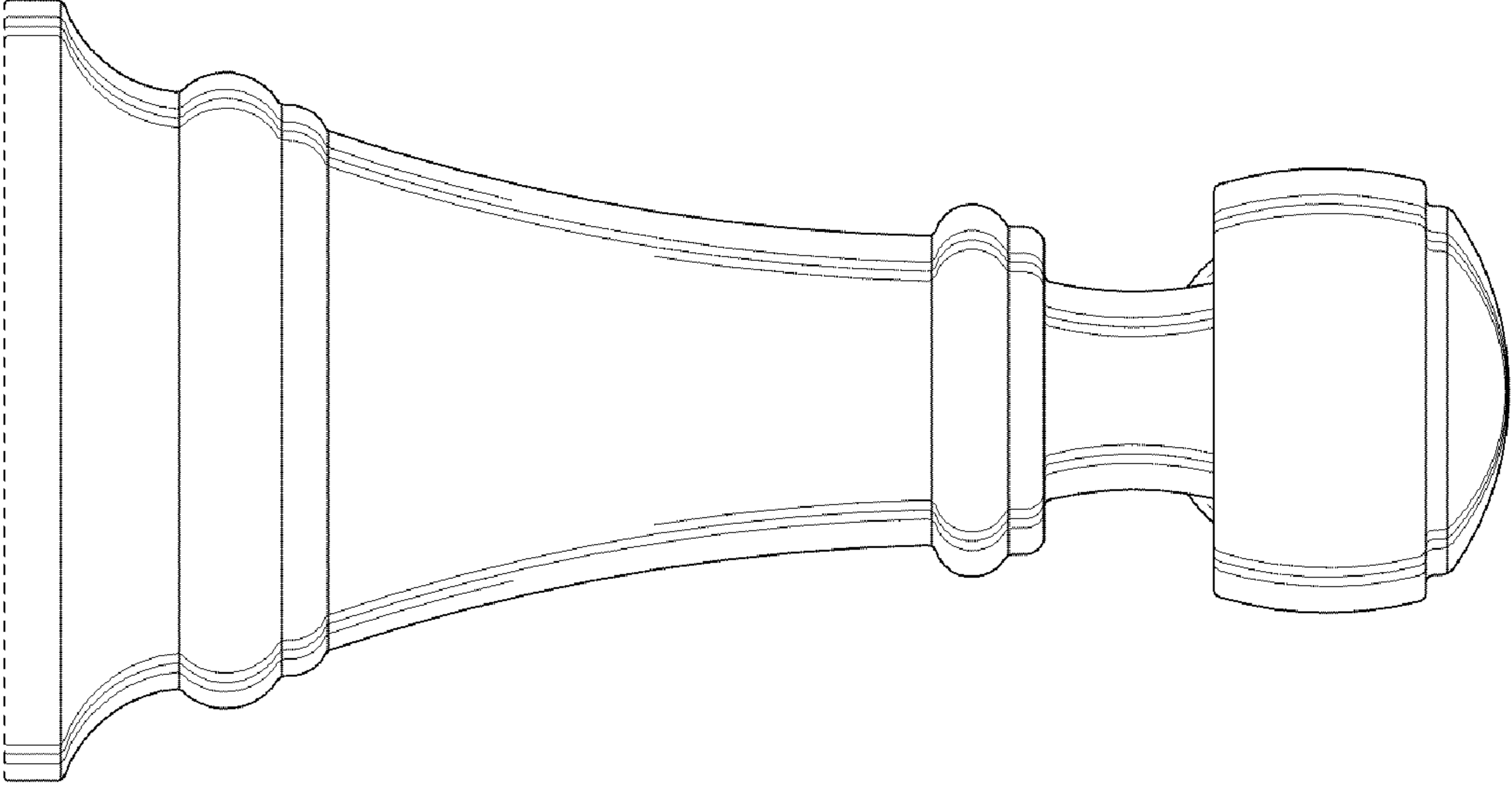


FIG. 4

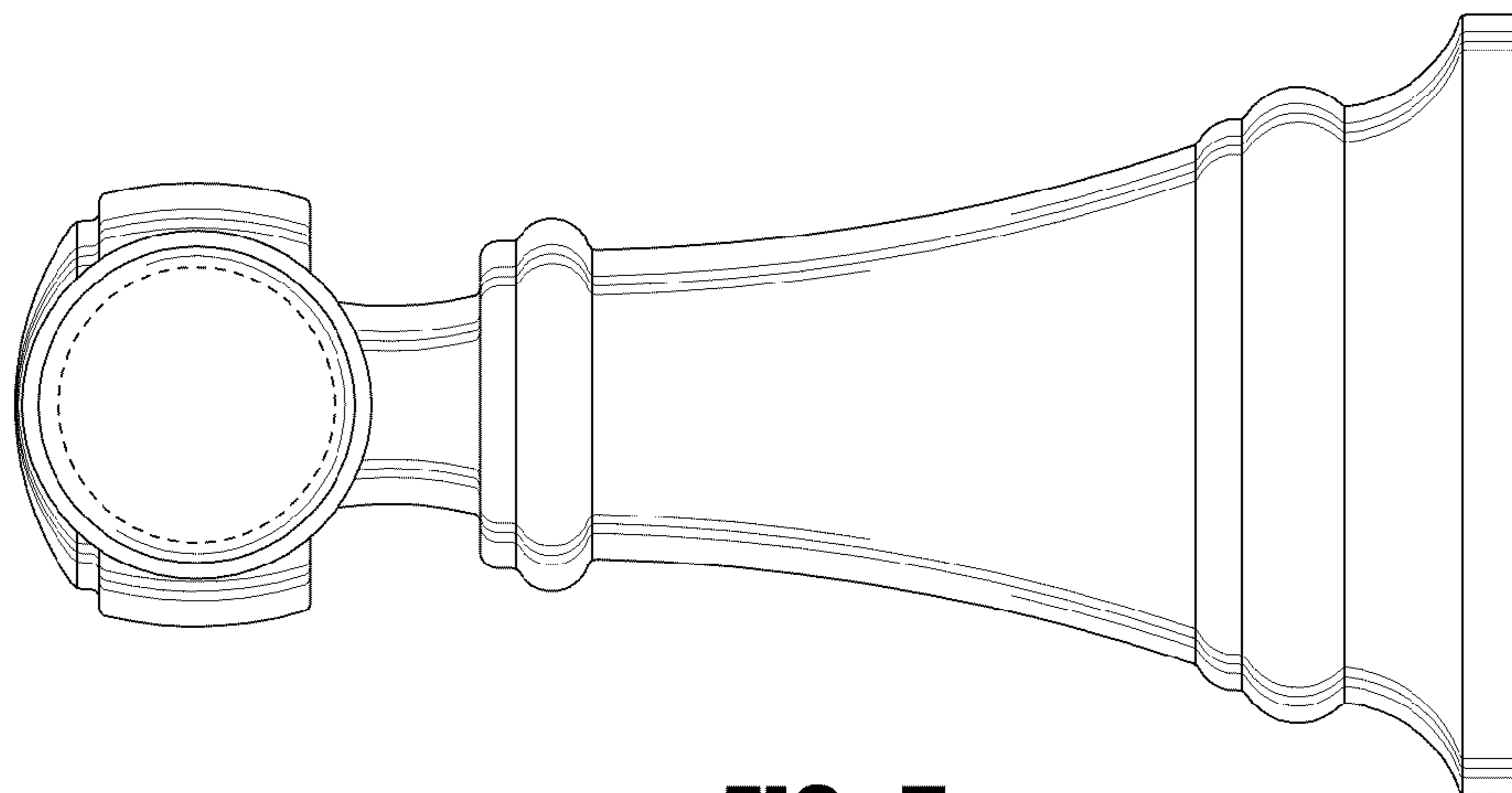


FIG. 5

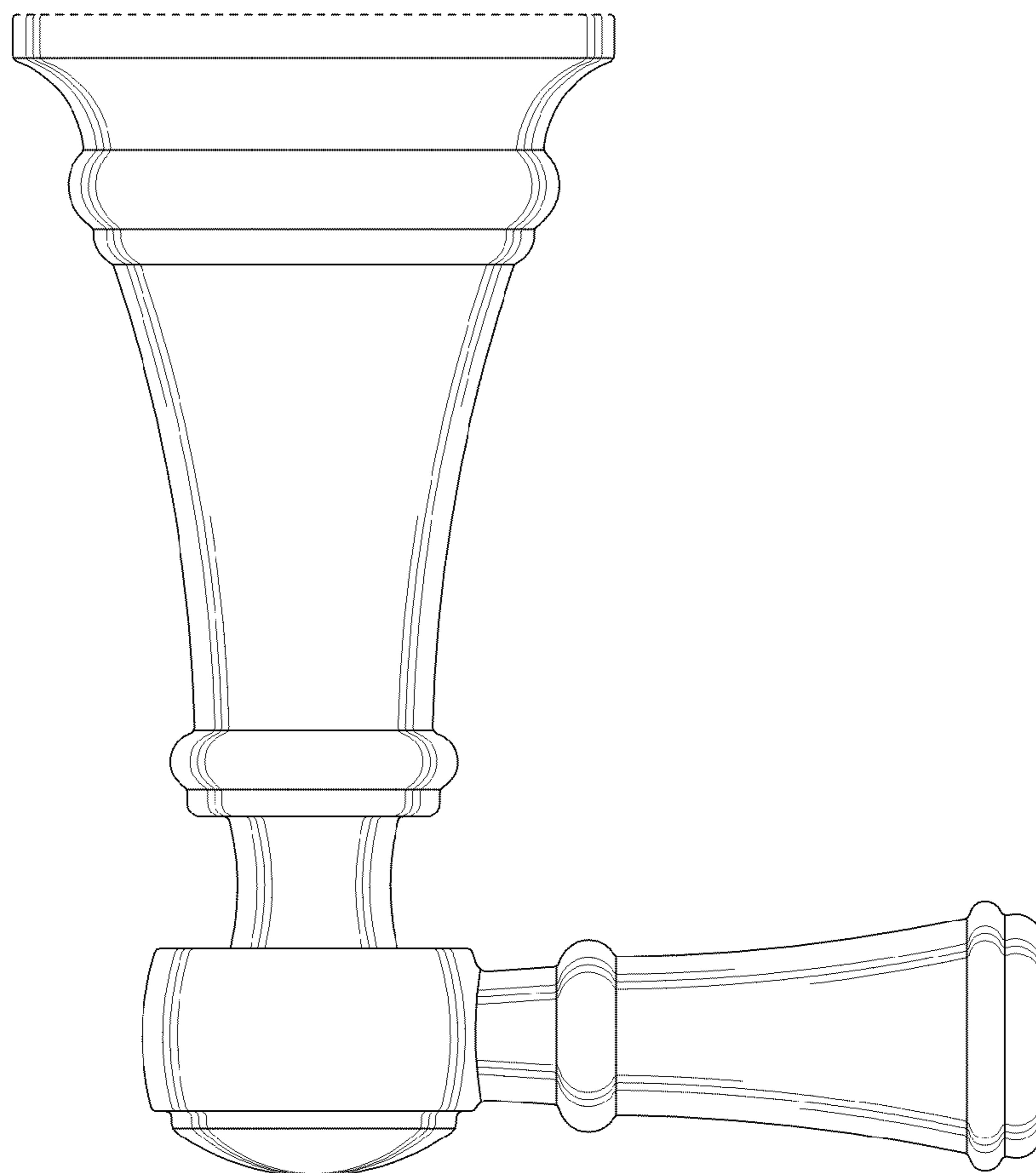


FIG. 6