



US00D655545S

(12) **United States Design Patent**
Bowler et al.

(10) **Patent No.:** **US D655,545 S**
(45) **Date of Patent:** **** Mar. 13, 2012**

(54) **STAND FOR A PERSONAL CARE DEVICE**

(56) **References Cited**

(75) Inventors: **Clifford James Bowler**, South Croydon (GB); **Guohua Pan**, Luwan (CN)

U.S. PATENT DOCUMENTS
846,683 A 3/1907 Moore et al.
(Continued)

(73) Assignee: **The Gillette Company**, Boston, MA (US)

Primary Examiner — Brian N Vinson
(74) *Attorney, Agent, or Firm* — John M. Lipchitz; Kevin C. Johnson; Steven W. Miller

(**) Term: **14 Years**

(57) **CLAIM**
The ornamental design for a stand for a personal care device, as shown and described.

(21) Appl. No.: **29/377,965**

DESCRIPTION

(22) Filed: **Oct. 28, 2010**

(51) **LOC (9) Cl.** **23-02**

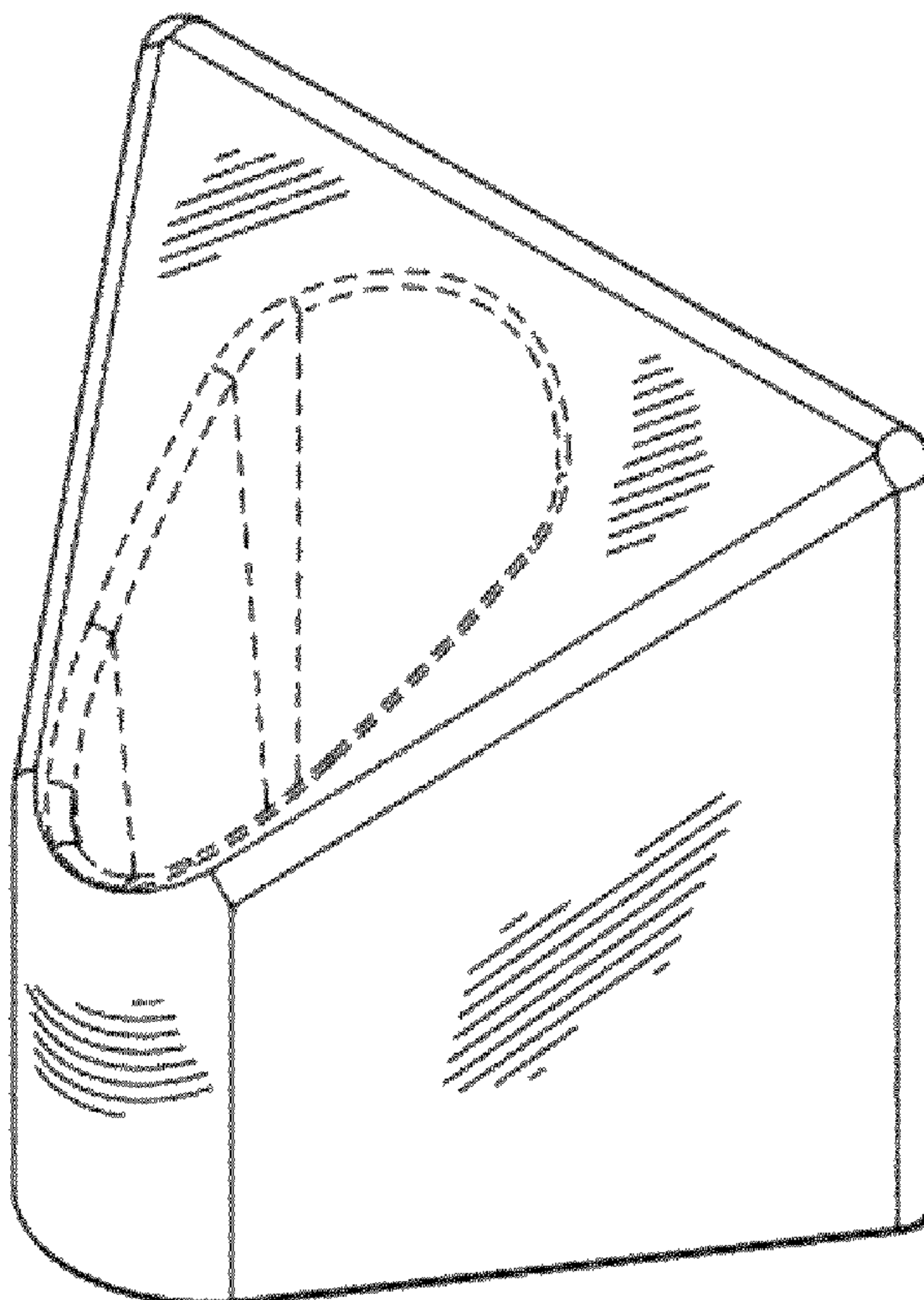
(52) **U.S. Cl.** **D6/524; D3/205**

(58) **Field of Classification Search** D6/512,
D6/524, 526, 527, 534, 551; D3/201, 203.1,
D3/205, 304, 314; D13/108; D7/601; D19/75,
D19/81; D28/73; D34/1; 211/13.1, 85.1,
211/85.13, 60.1, 69.1, 69.5; 248/127, 176.1,
248/309.1, 311.2, 314

FIG. 1 is a perspective view of a stand for a personal care device of the present invention;
FIG. 2 is a front view thereof;
FIG. 3 is a rear view thereof;
FIG. 4 is a right side view thereof;
FIG. 5 is a left side view thereof;
FIG. 6 is a top view thereof; and,
FIG. 7 is a bottom view thereof.
The broken-line disclosure in the views is understood to form part of the article in which the claimed design is embodied, but which forms no part of the claimed design.

See application file for complete search history.

1 Claim, 2 Drawing Sheets



US D655,545 S

Page 2

U.S. PATENT DOCUMENTS

1,353,689 A	9/1920	Wilkie	
D57,707 S	4/1921	Morrison	
1,566,964 A	12/1925	Higgins	
1,673,176 A	6/1928	Benner	
1,716,975 A	6/1929	Phillips	
D82,181 S	9/1930	Sawin	
1,814,561 A	7/1931	Krumm	
1,842,542 A	1/1932	Dailey	
2,003,600 A	6/1935	Lowenfels	
2,111,884 A	3/1938	Cahaney	
2,584,379 A	2/1952	Chmielewski	
D210,323 S	2/1968	Hurley	
3,623,650 A	11/1971	Watts	
RE29,185 E	4/1977	Tolaas	
D244,857 S *	6/1977	Hayes	D6/329
D304,868 S	11/1989	Spencer	
D312,423 S	11/1990	Orlinsky et al.	
D317,261 S	6/1991	Brown et al.	
D335,599 S	5/1993	Novak	
5,213,255 A	5/1993	Cote	
D345,269 S	3/1994	Novak	
5,375,713 A	12/1994	Horvat et al.	
D356,033 S	3/1995	Horvat et al.	
5,425,499 A	6/1995	Pfieffer	
D366,284 S	1/1996	Binkley	
5,558,224 A	9/1996	Fogle	
D376,501 S	12/1996	Spaseska	
D376,758 S	12/1996	Bradfield	
D418,412 S	1/2000	Komatsu	
D431,189 S	9/2000	Komatsu	
D439,838 S	4/2001	Sagel et al.	
D446,883 S *	8/2001	Christianson	D28/73
6,360,941 B1	3/2002	Larsson	
D463,976 S	10/2002	Sipinen et al.	
D465,155 S	11/2002	Weinstein et al.	
D471,451 S	3/2003	Hadeler	
6,592,023 B2	7/2003	Li Vigni et al.	
D482,493 S *	11/2003	Lillelund et al.	D28/73
D494,859 S	8/2004	Keberlein	
D505,164 S	5/2005	McCabe	
6,926,196 B2	8/2005	Testerman et al.	
D509,107 S *	9/2005	Lawson et al.	D28/73
D516,022 S *	2/2006	Winkler	D13/108
D519,682 S *	4/2006	Choi	D28/73
D534,022 S	12/2006	Sab	
D534,387 S	1/2007	Sab	
D538,357 S	3/2007	Salmon	
D547,987 S *	8/2007	Yang et al.	D6/524
D578,061 S *	10/2008	Kristensen	D28/73
D591,172 S	4/2009	Keberlein et al.	
D591,618 S	5/2009	Keberlein et al.	
D620,794 S	8/2010	Kohno	
D621,347 S *	8/2010	Aulwes et al.	D28/73
2009/0183379 A1	7/2009	Johnson	

* cited by examiner

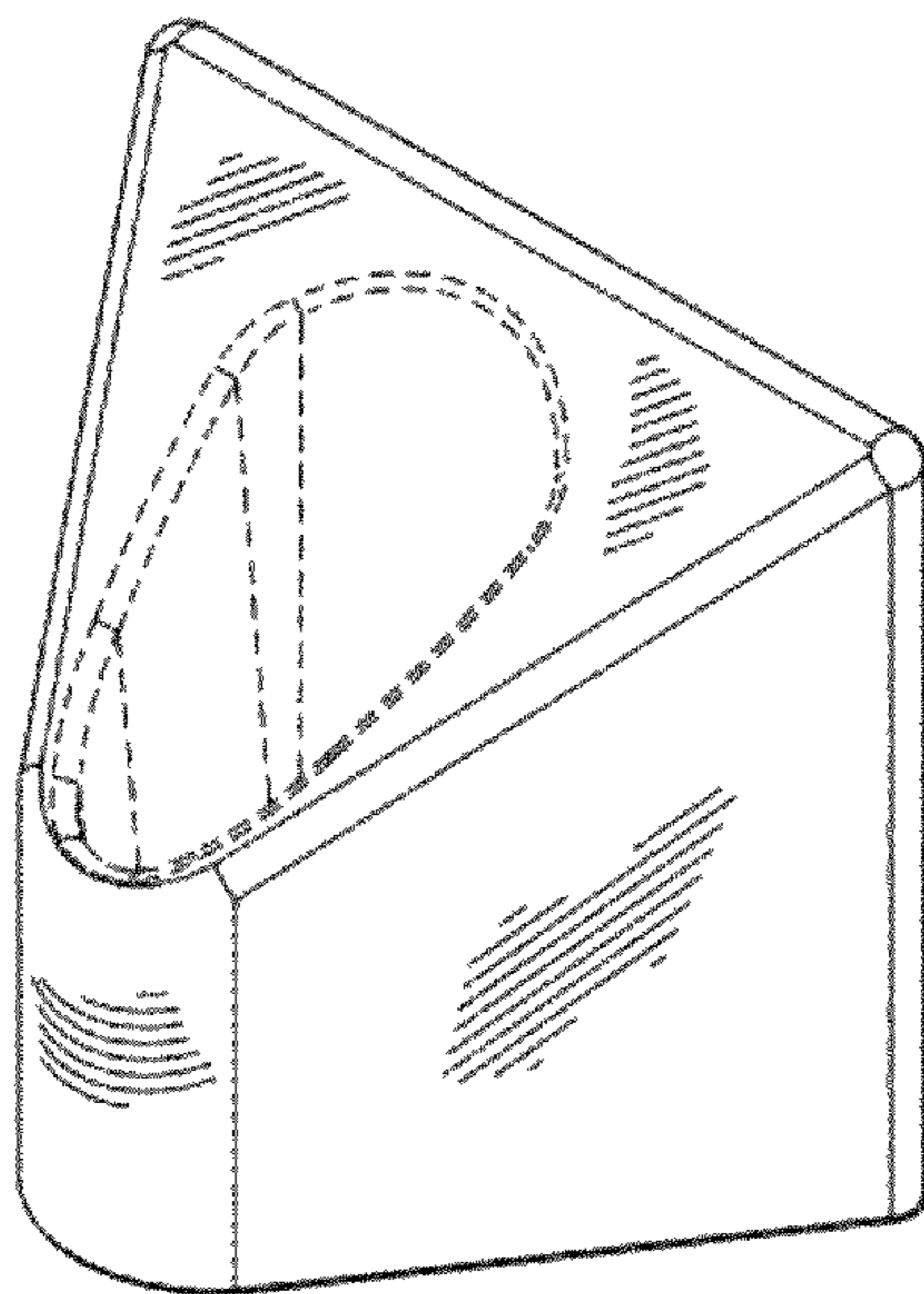


FIG. 1

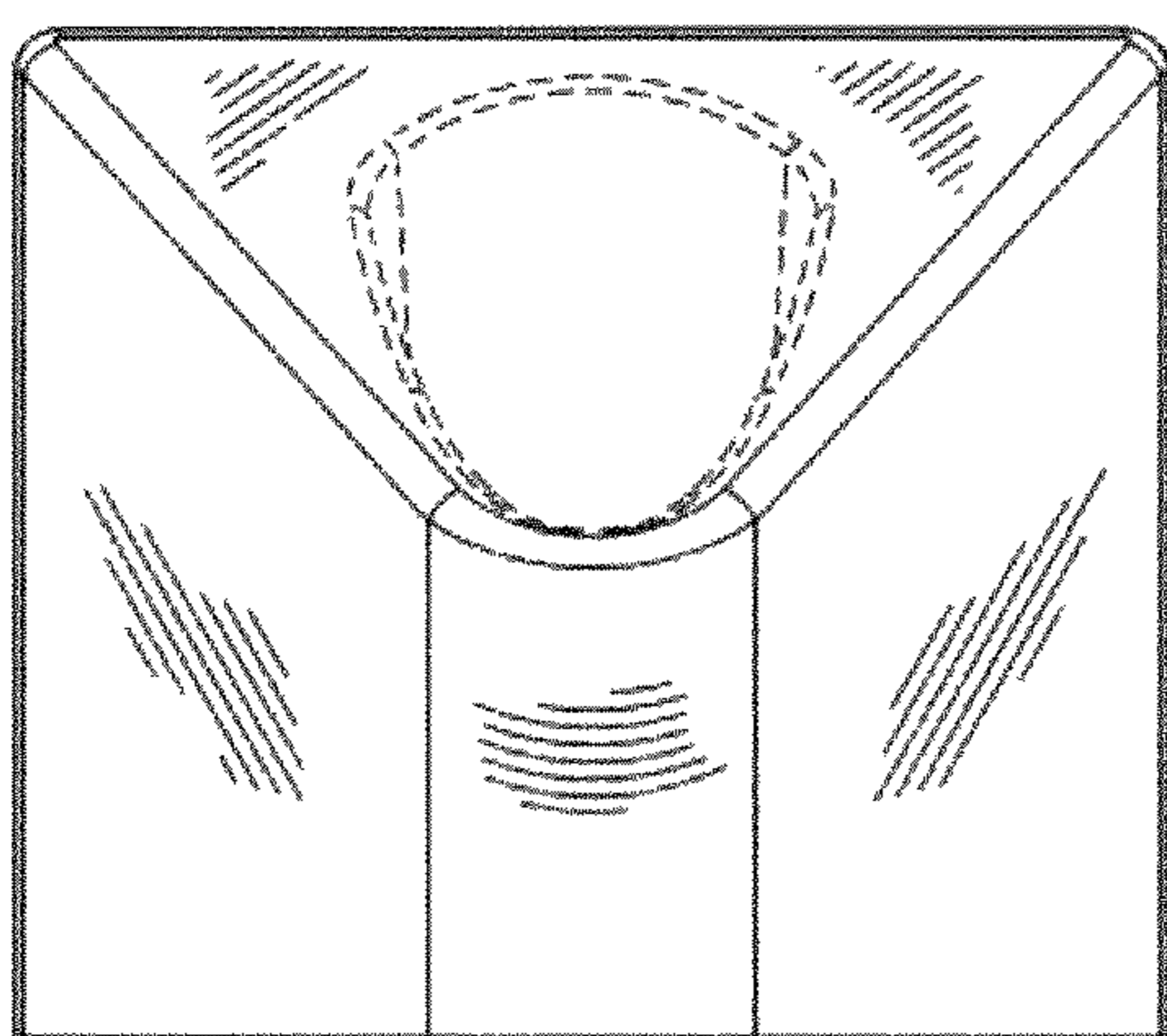


FIG. 2

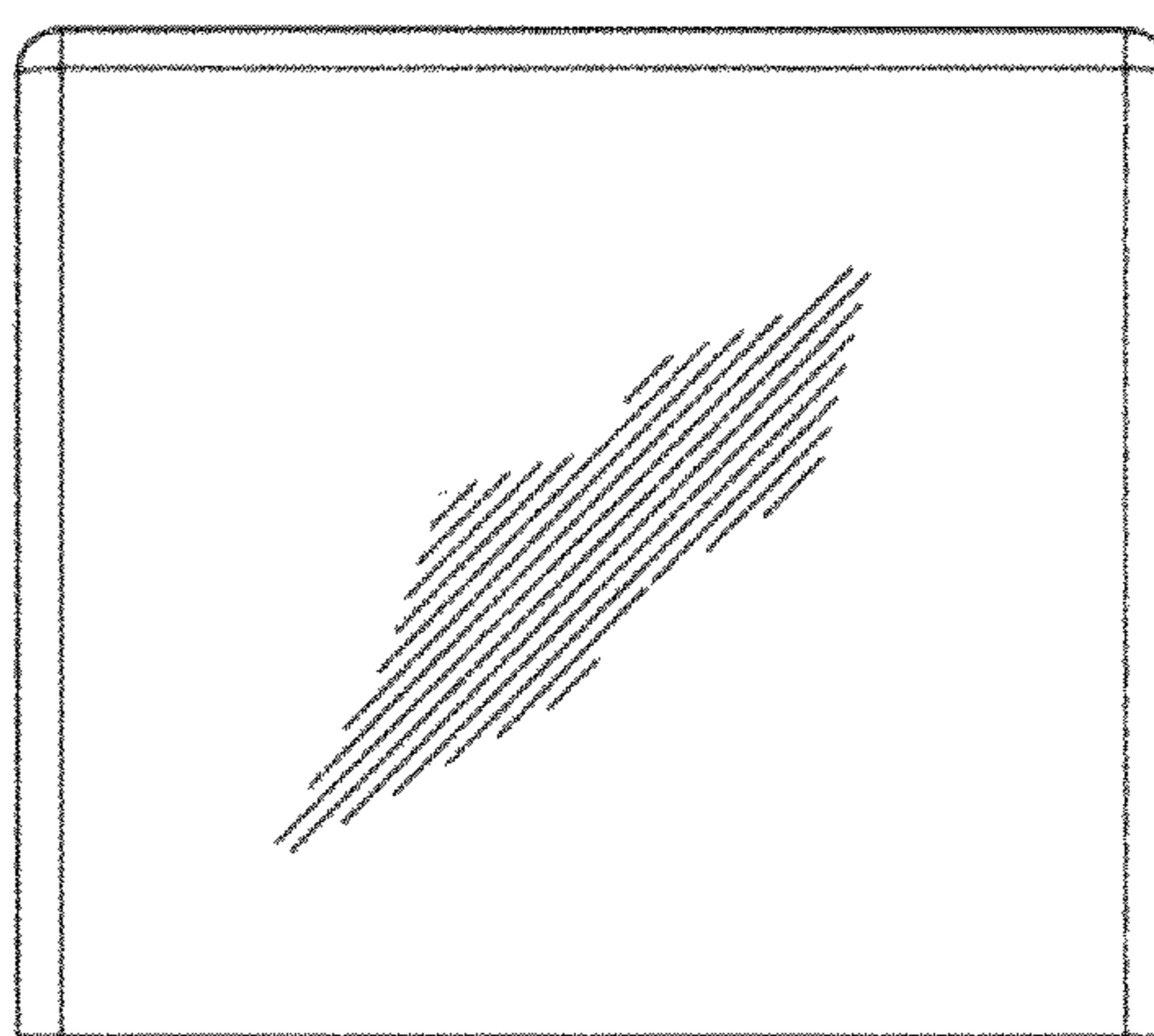


FIG. 3

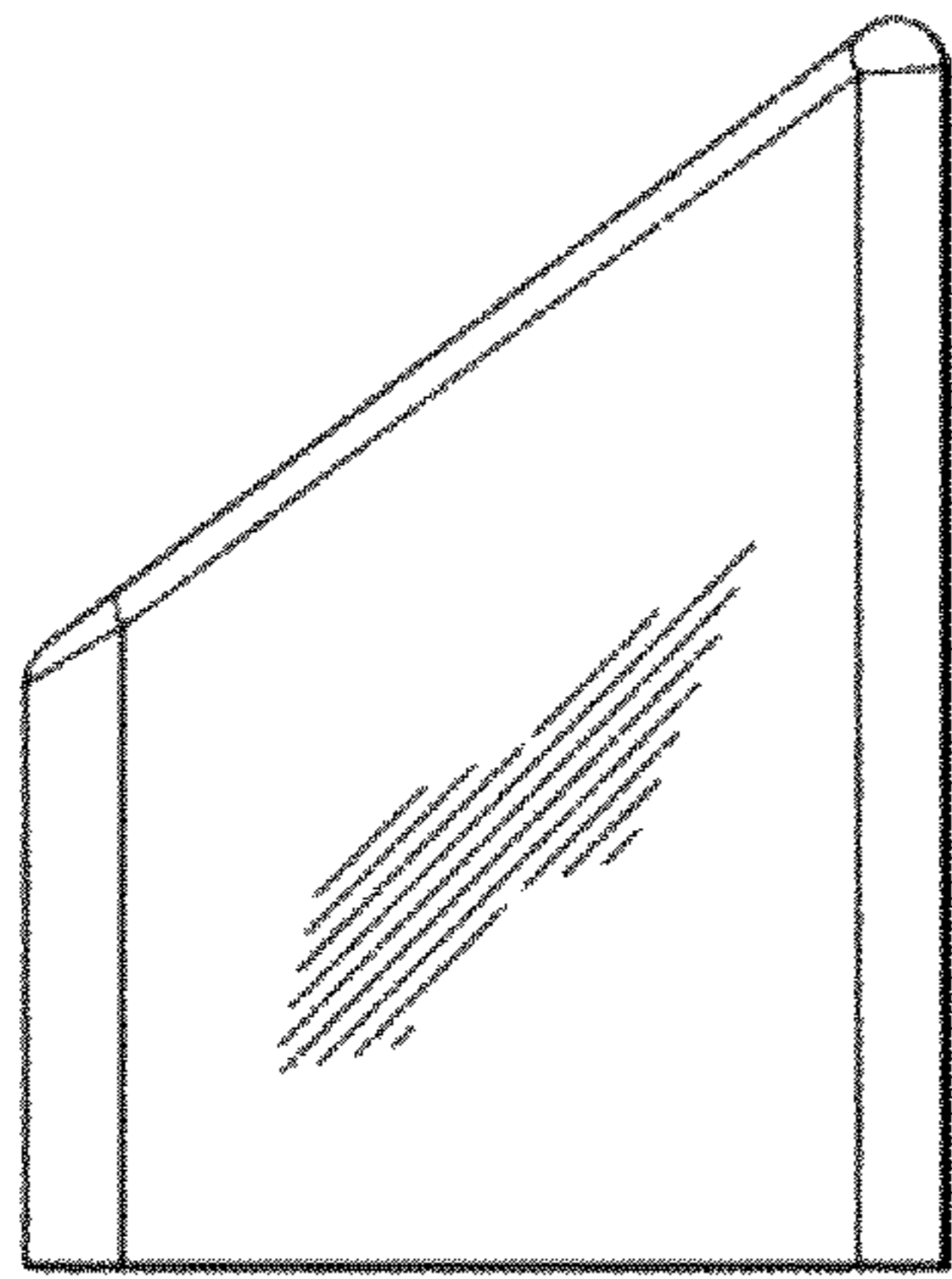


FIG. 4

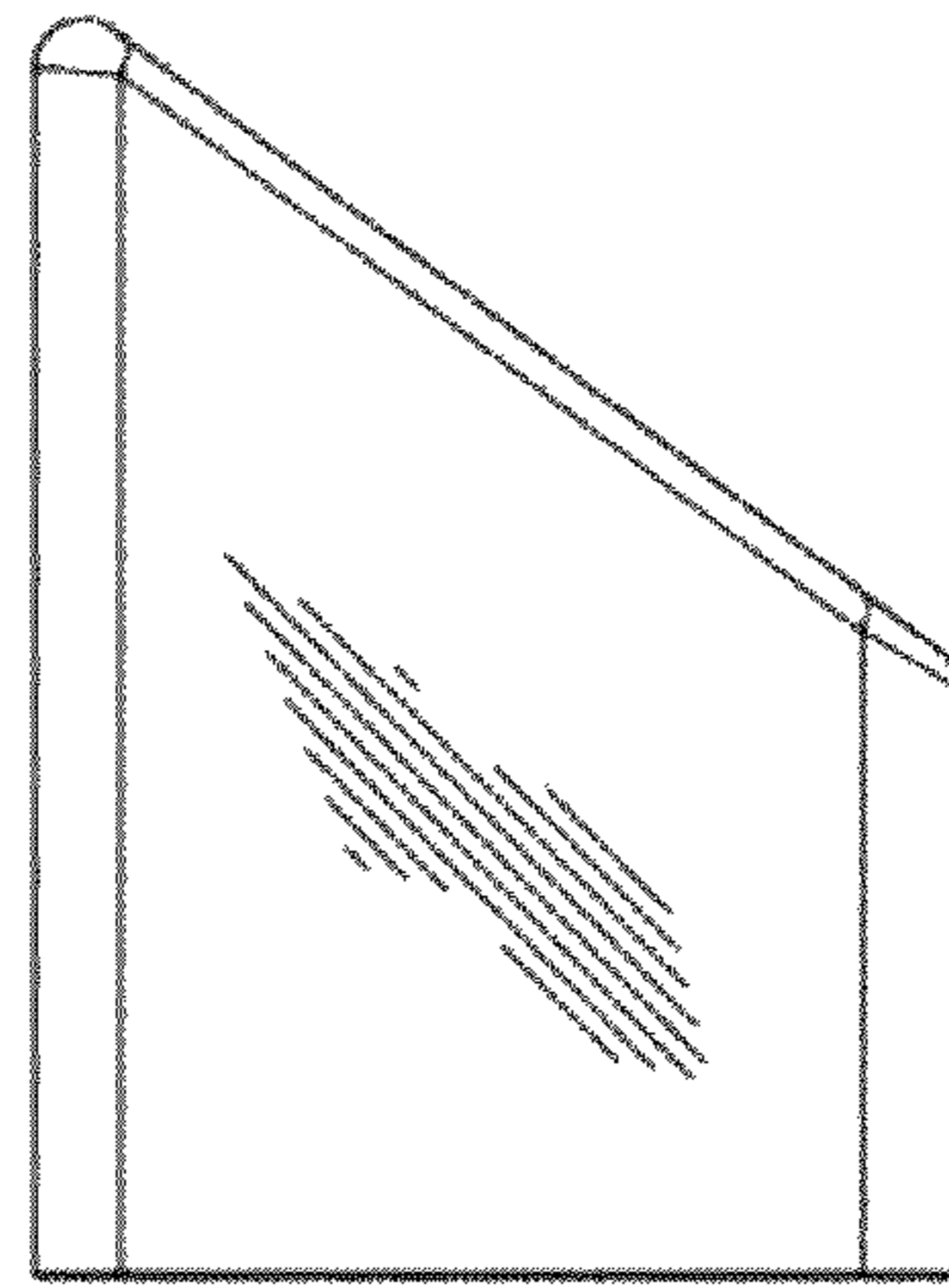


FIG. 5

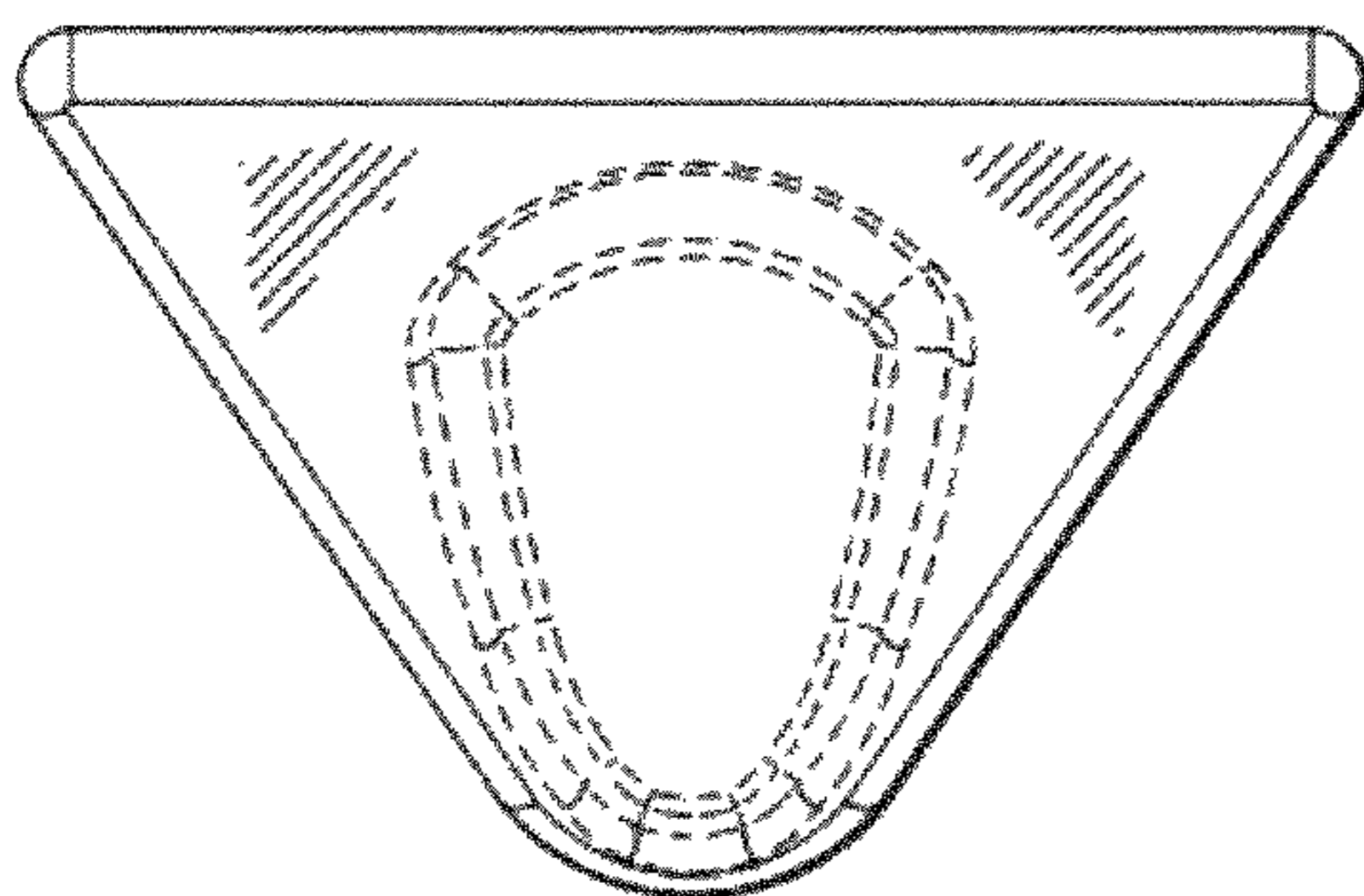


FIG. 6

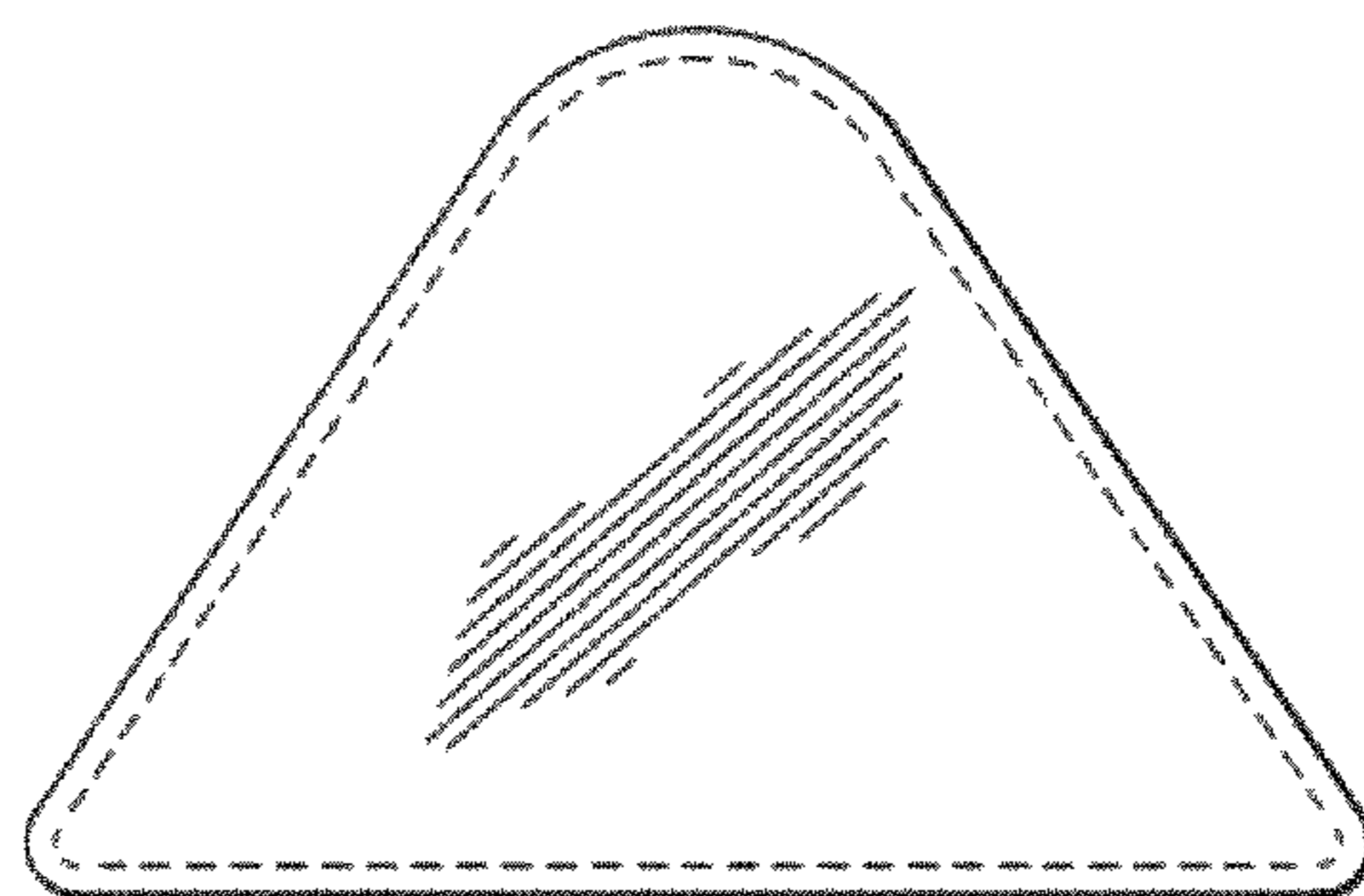


FIG. 7