



US00D655544S

(12) **United States Design Patent**
Brinton

(10) **Patent No.:** **US D655,544 S**

(45) **Date of Patent:** **** Mar. 13, 2012**

(54) **PAPER PRODUCTS DISPENSER**

(76) Inventor: **Danny Brinton**, Cove, OR (US)

(**) Term: **14 Years**

(21) Appl. No.: **29/389,451**

(22) Filed: **Apr. 12, 2011**

(51) **LOC (9) Cl.** **06-04**

(52) **U.S. Cl.** **D6/518**

(58) **Field of Classification Search** D6/542-545,
D6/553, 567, 574, 515-525; 206/77.1; 211/13.1,
211/86.01, 87.01; 221/14, 92, 649, 146.1,
221/146.2, 105; 222/281-282; D23/225;
D8/349, 354, 363, 373, 394; D24/155
See application file for complete search history.

(56) **References Cited**

U.S. PATENT DOCUMENTS

D347,345 S *	5/1994	Kaiser et al.	D6/518
D429,933 S *	8/2000	Phelps et al.	D6/518
D572,514 S *	7/2008	Bickler et al.	D6/518
D609,039 S *	2/2010	Serfaty	D6/518
D620,290 S *	7/2010	Herrera	D6/518
D626,362 S *	11/2010	Martin	D6/518

* cited by examiner

Primary Examiner — Brian N Vinson

(74) *Attorney, Agent, or Firm* — QuickPatents, Inc.; Kevin Prince

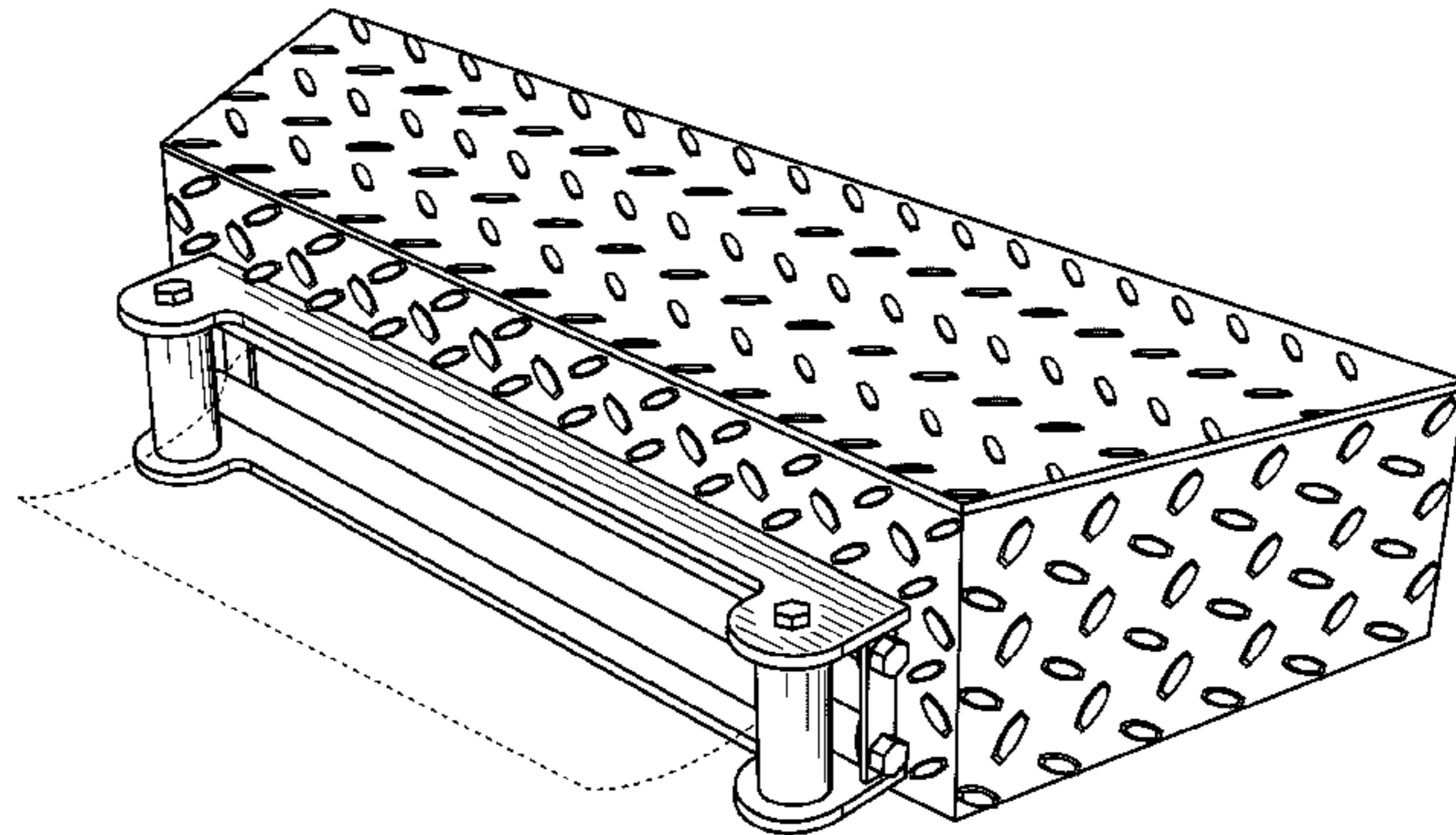
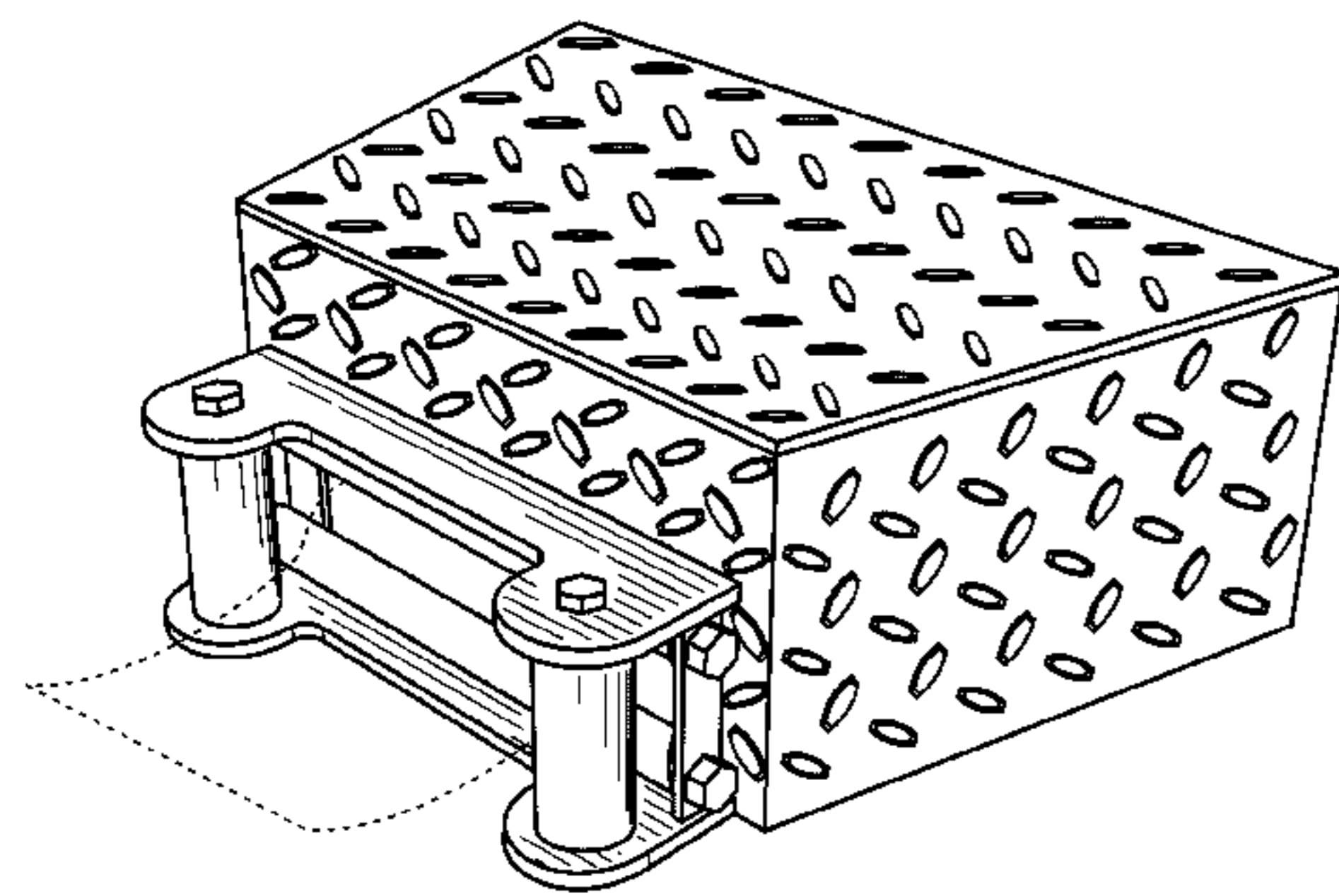
(57) **CLAIM**

I claim the ornamental design for a paper products dispenser, as shown and described.

DESCRIPTION

FIG. 1 is a perspective view of a first embodiment of a paper products dispenser, showing my new design;
 FIG. 2 is a front elevational view of FIG. 1;
 FIG. 3 is a rear elevational view of FIG. 1;
 FIG. 4 is a right-side elevational view of FIG. 1, the left-side elevational view being a mirror image thereof;
 FIG. 5 is a top plan view of FIG. 1;
 FIG. 6 is a bottom plan view of FIG. 1;
 FIG. 7 is a perspective view of a second embodiment thereof;
 FIG. 8 is a front elevational view of FIG. 7;
 FIG. 9 is a rear elevational view of FIG. 7;
 FIG. 10 is a right-side elevational view of FIG. 7, the left-side elevational view being a mirror image thereof;
 FIG. 11 is a top plan view of FIG. 7; and,
 FIG. 12 is a bottom plan view of FIG. 7.
 The broken lines showing a paper product in FIGS. 1 and 7 depict environmental matter and form no part of the claimed design.

1 Claim, 6 Drawing Sheets



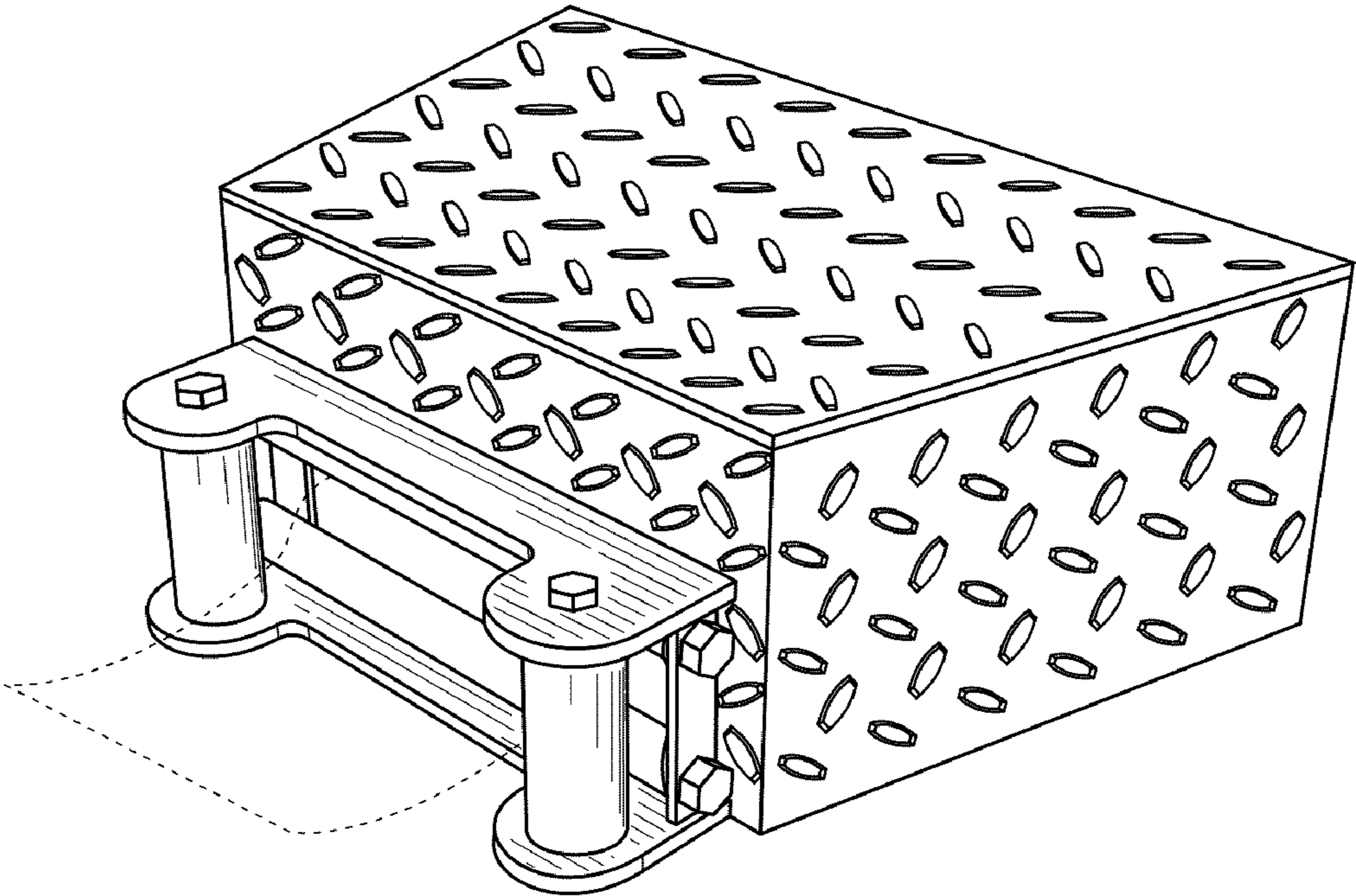


FIG. 1

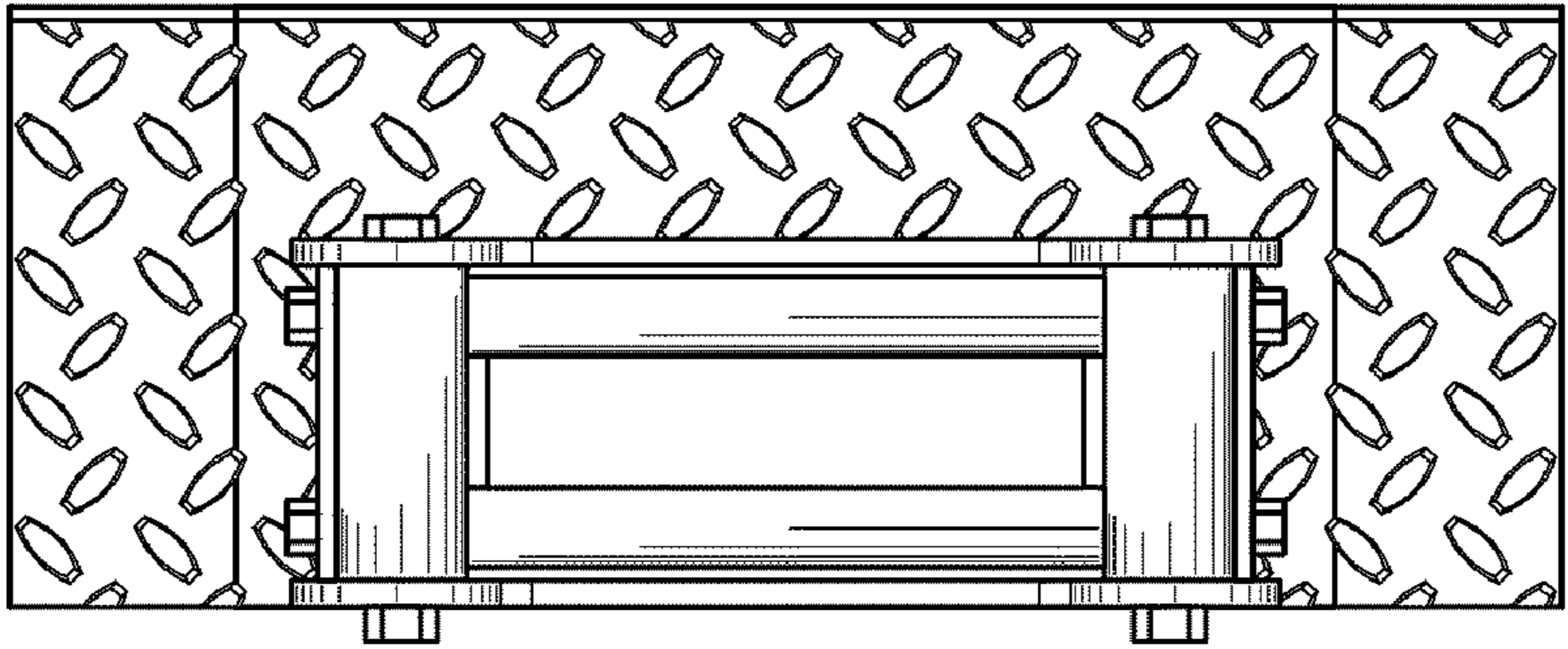


FIG. 2

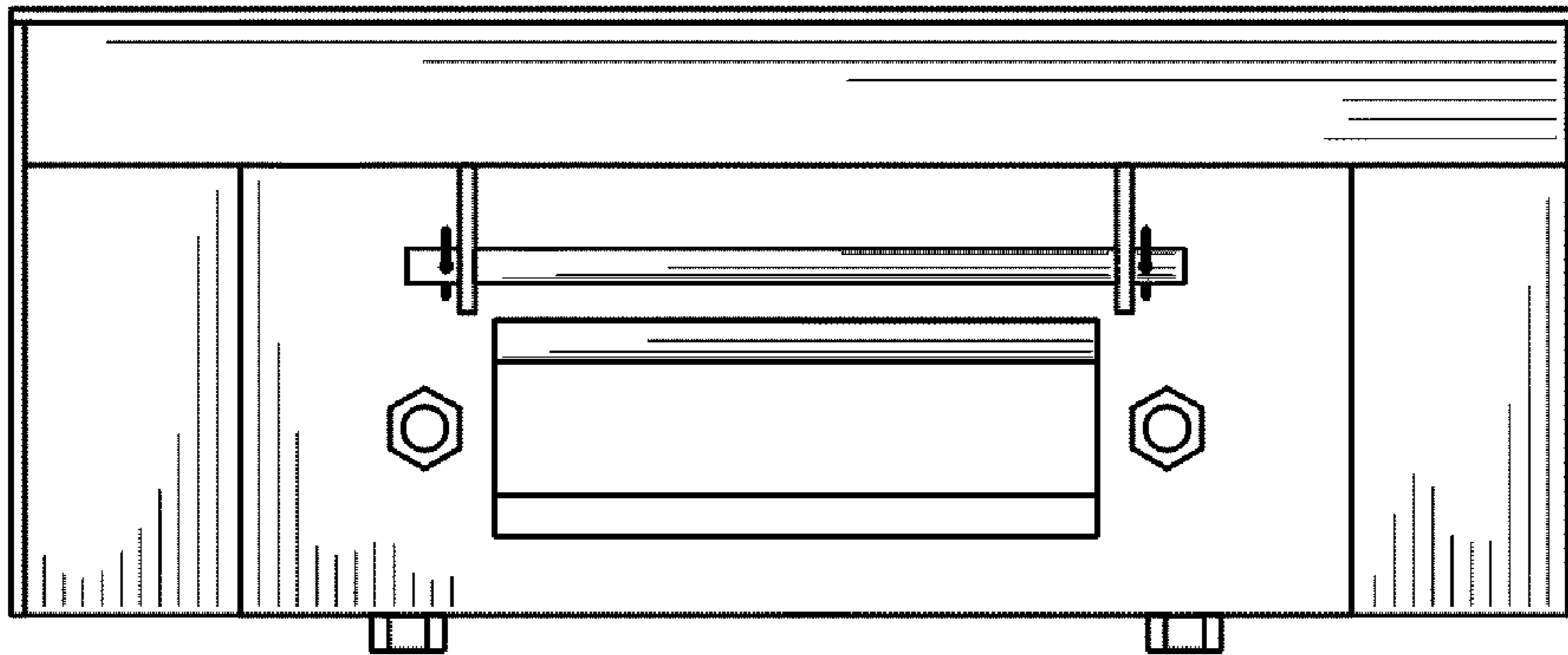


FIG. 3

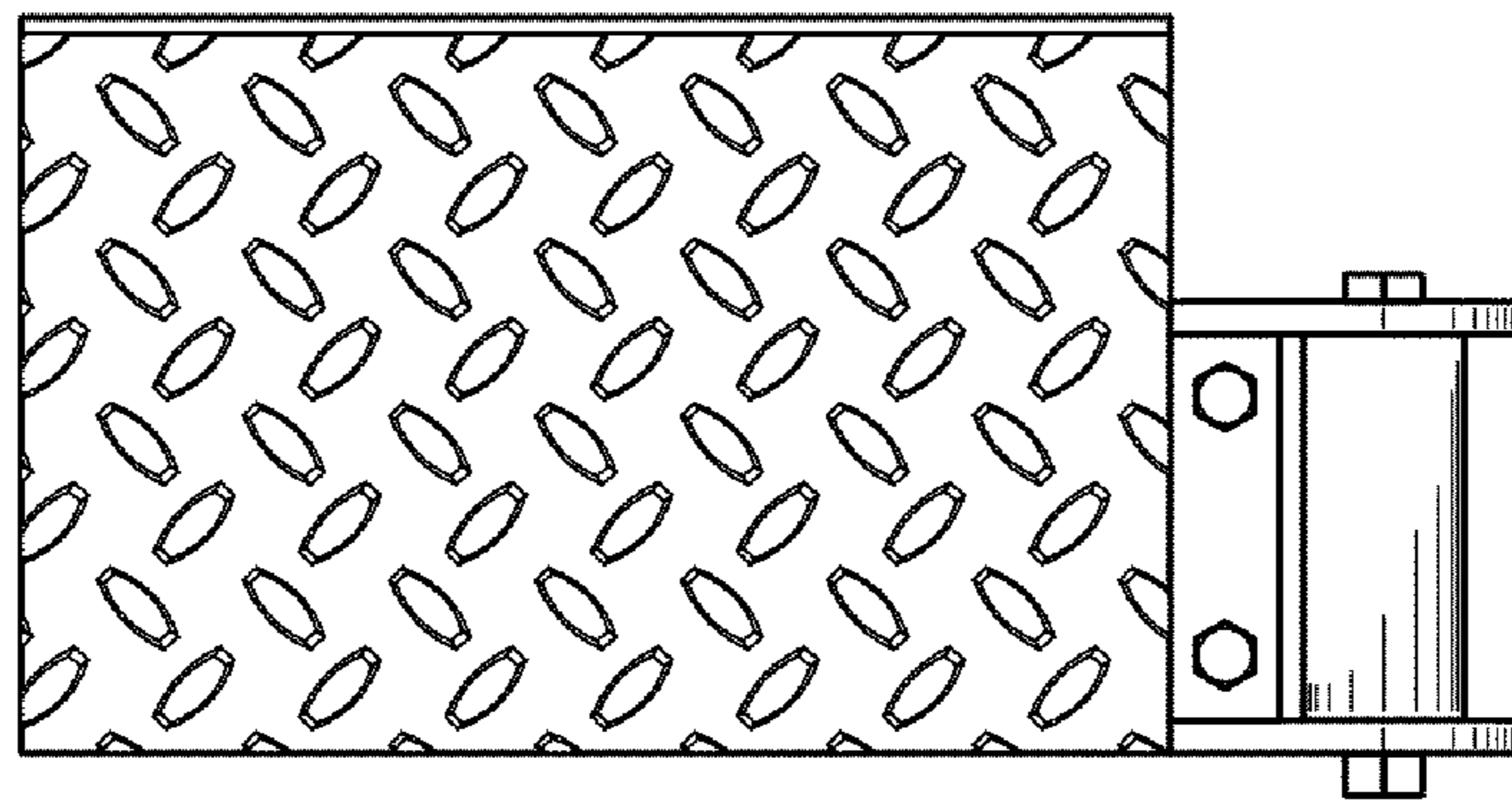


FIG. 4

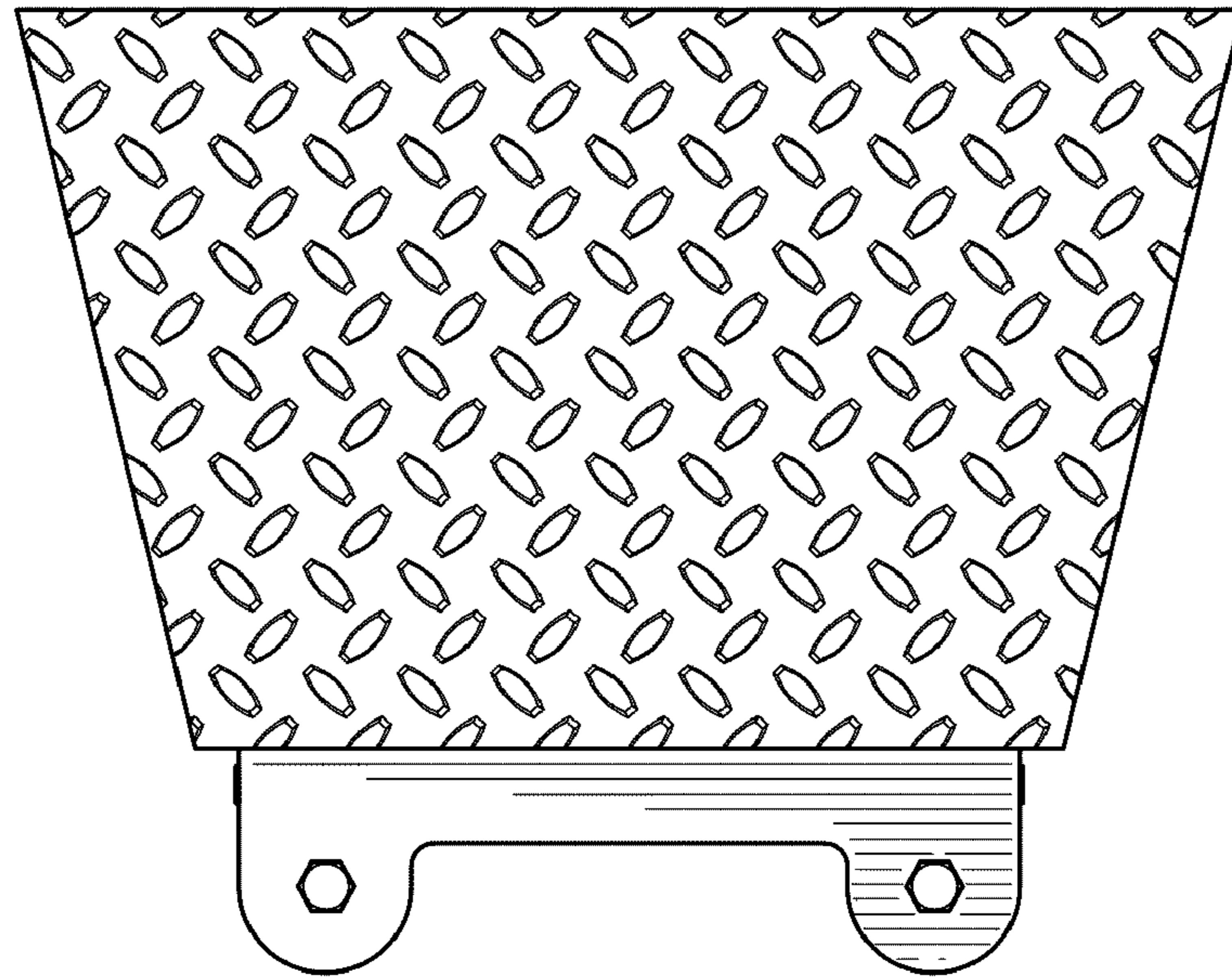


FIG. 5

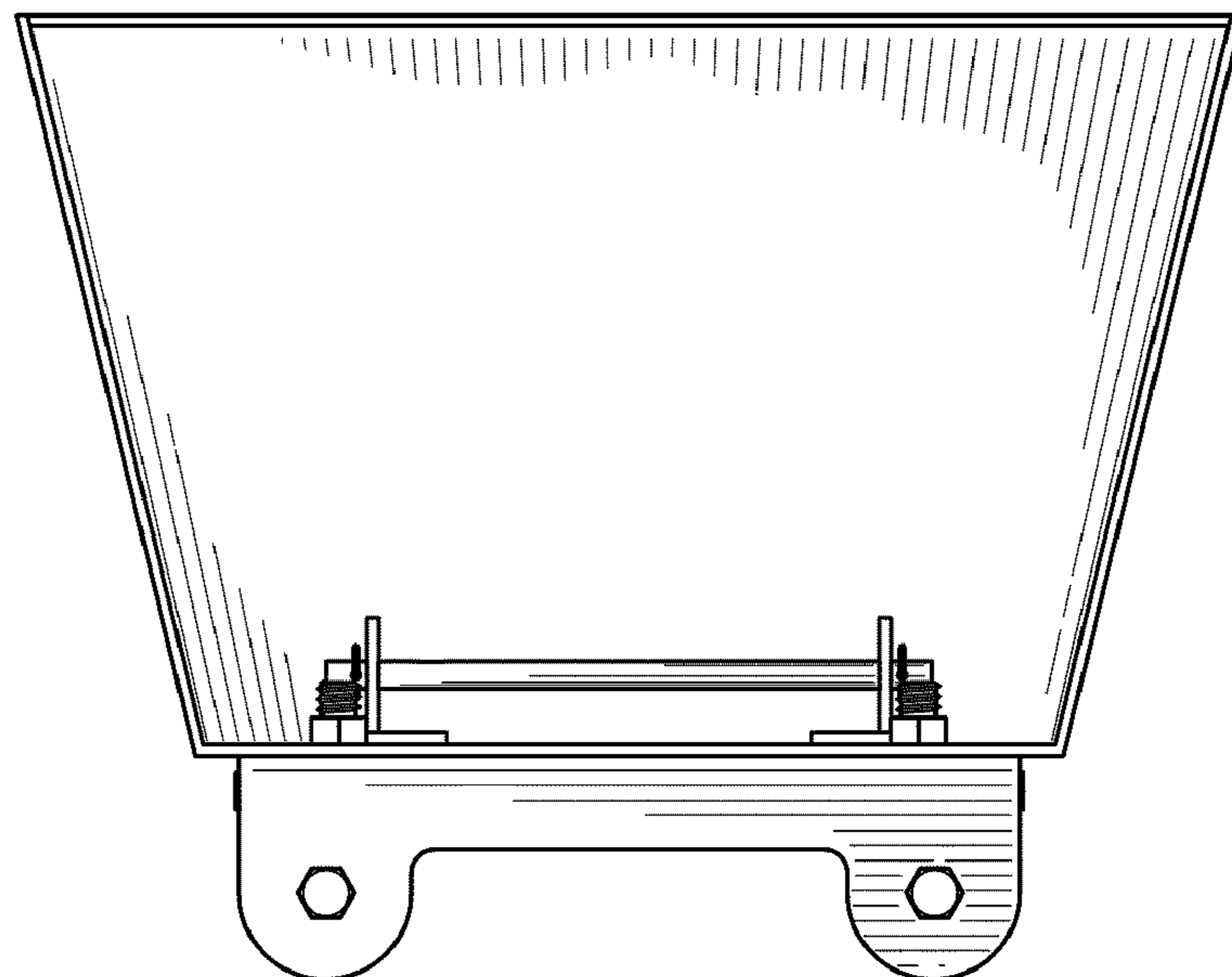


FIG. 6

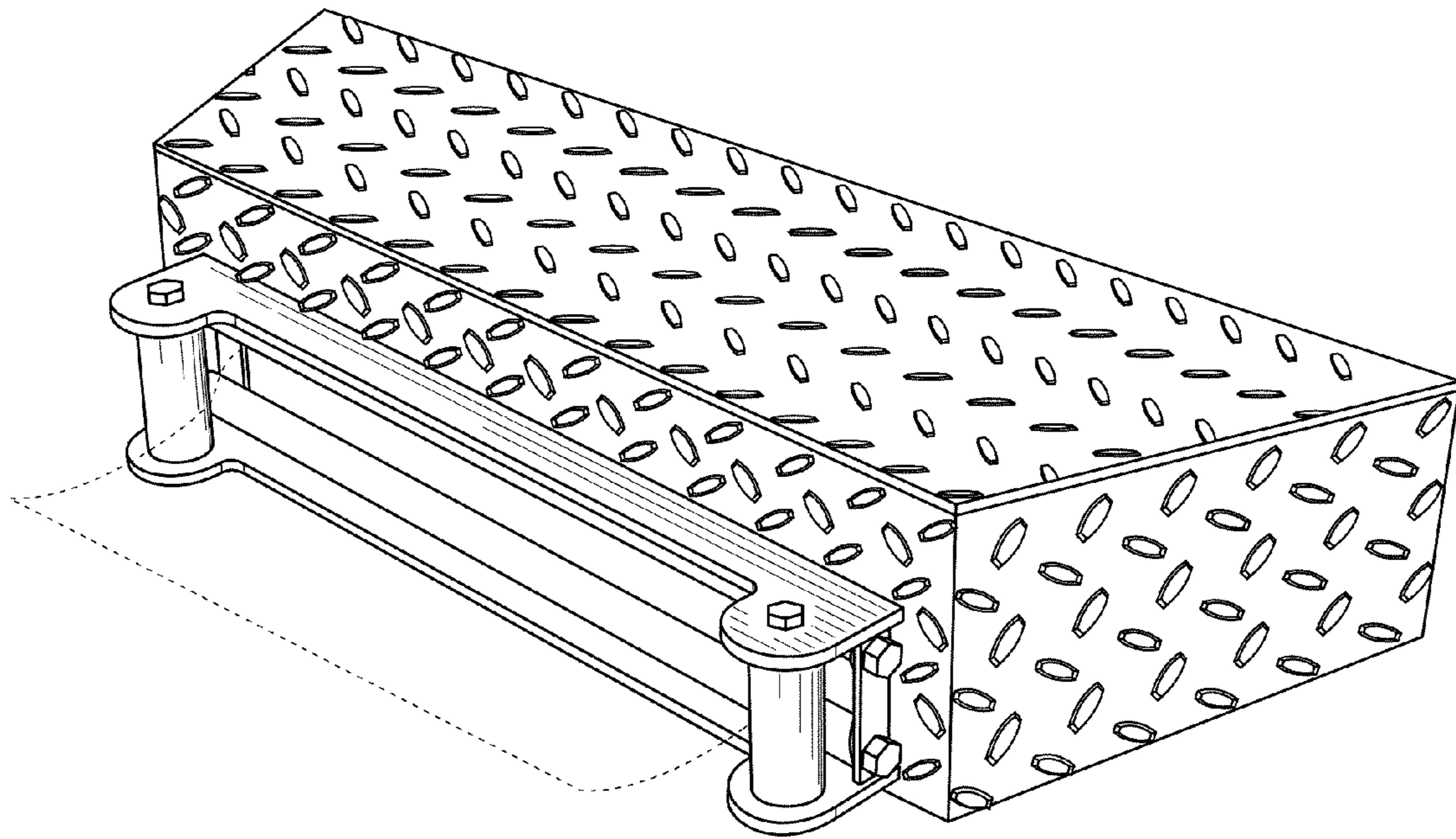


FIG. 7

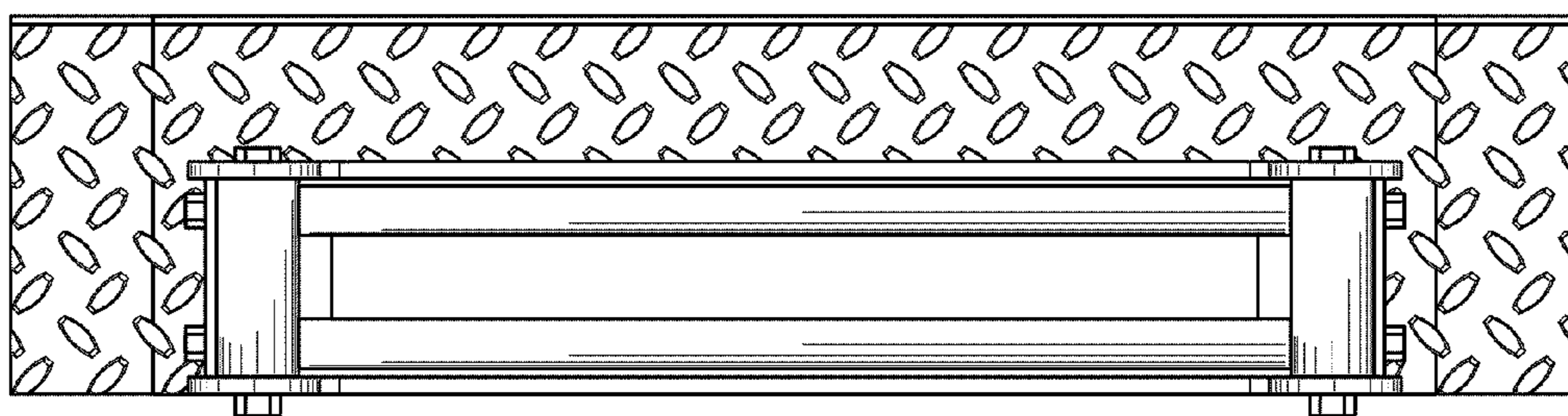


FIG. 8

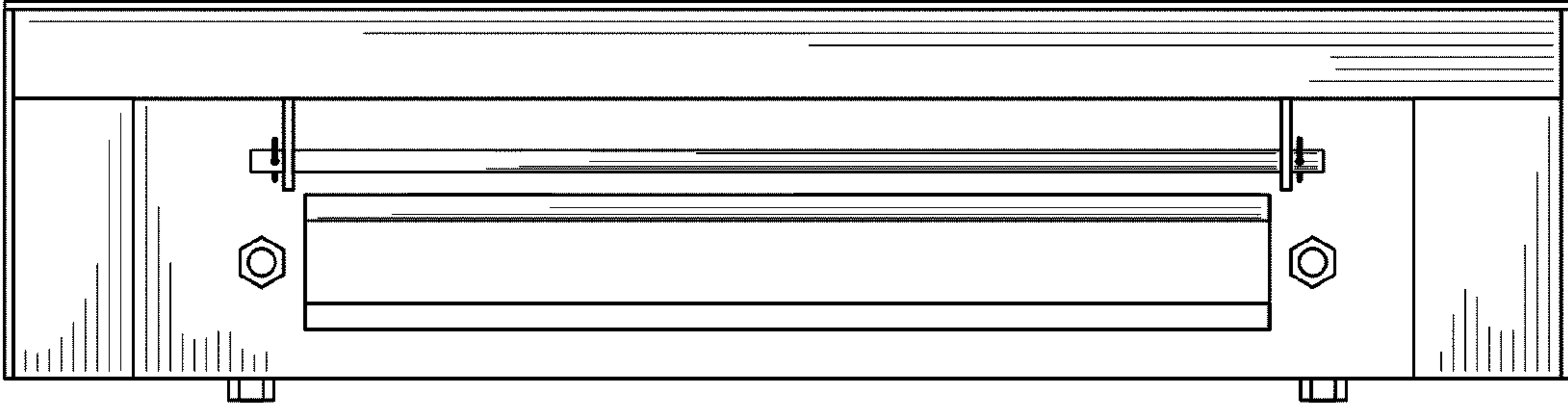


FIG. 9

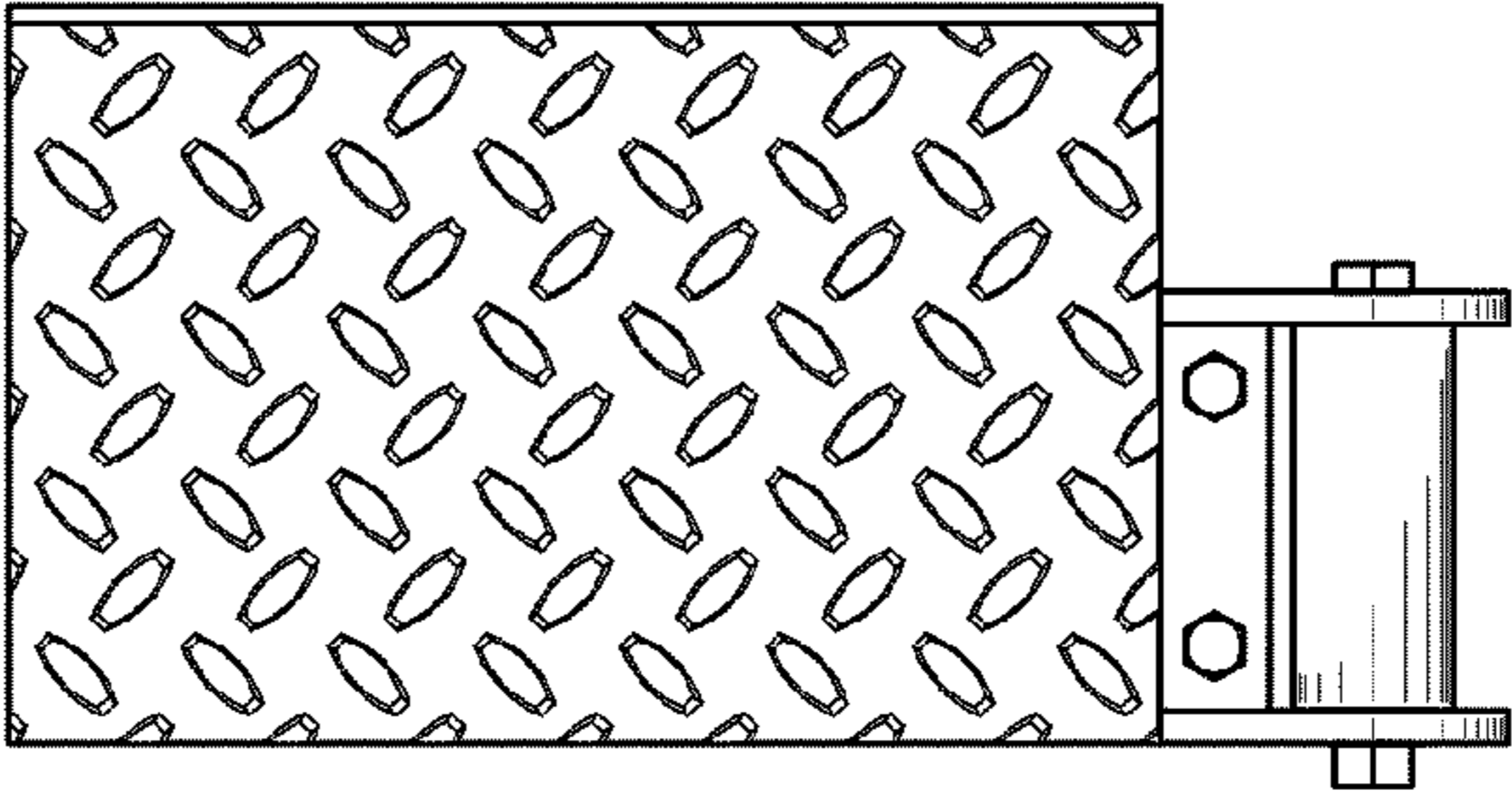


FIG. 10

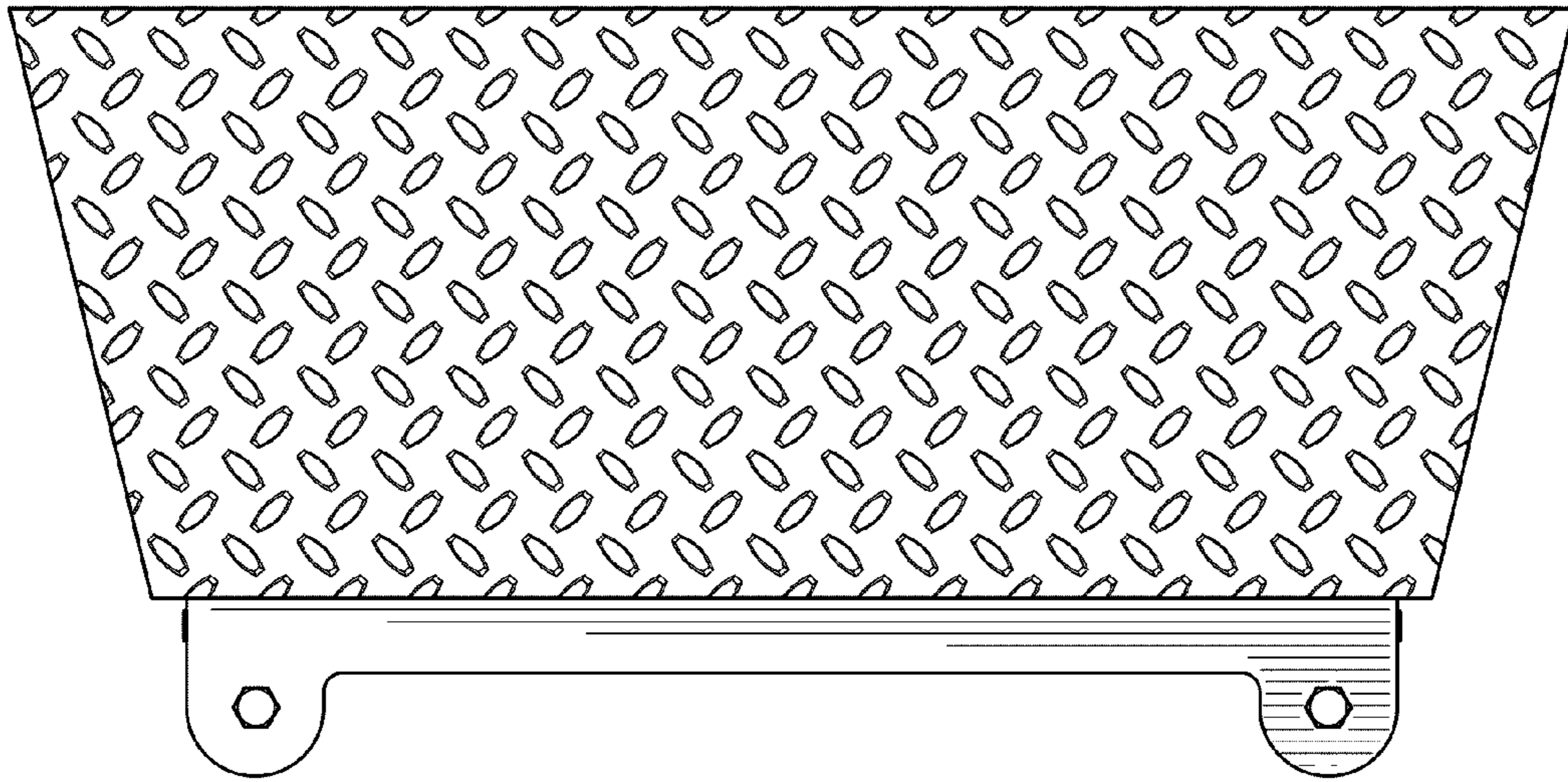


FIG. 11

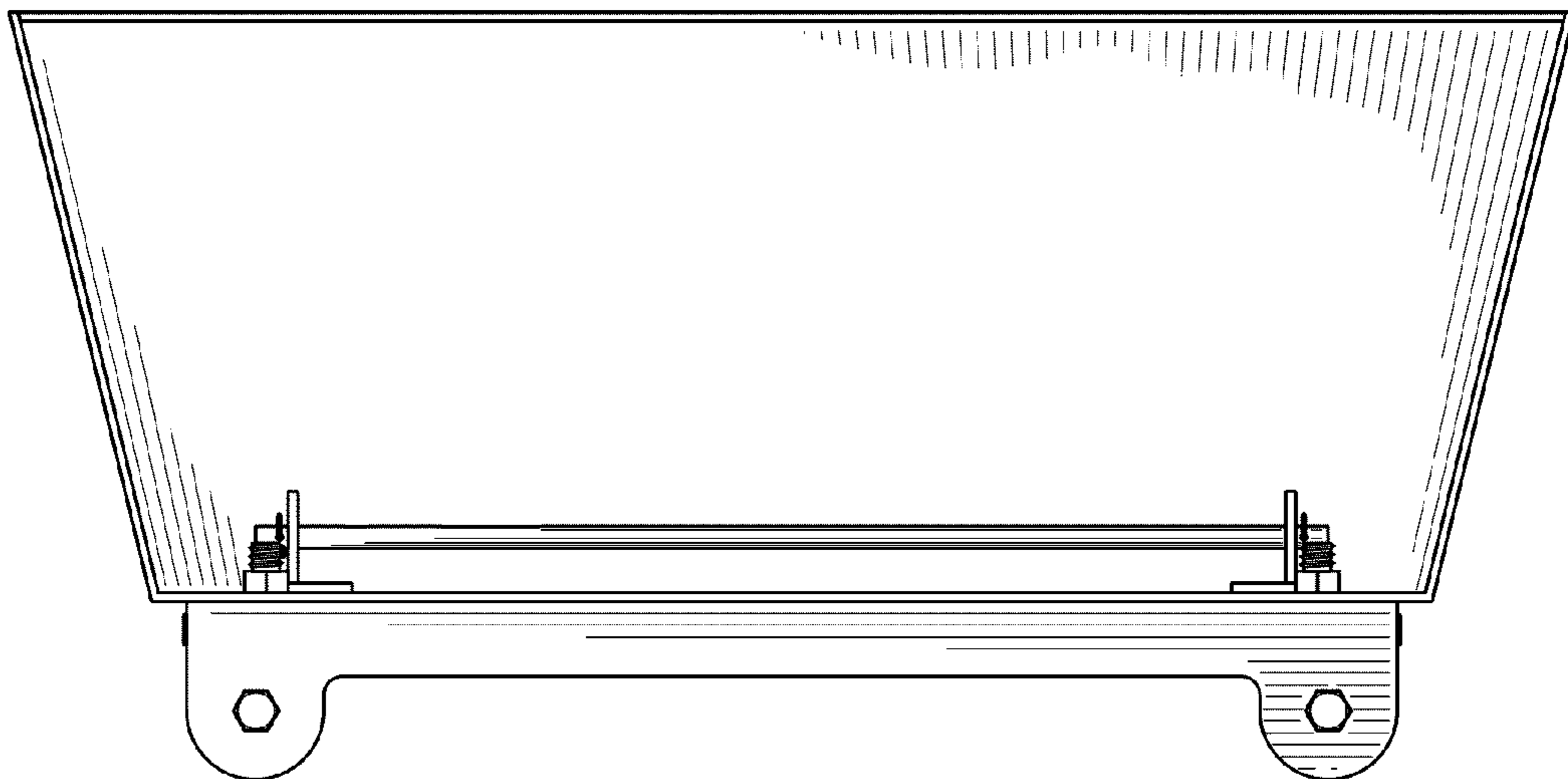


FIG. 12