



US00D655541S

(12) **United States Design Patent**
Zemel

(10) **Patent No.:** **US D655,541 S**
(45) **Date of Patent:** **** Mar. 13, 2012**

- (54) **CHAIR SUPPORTED TABLE**
- (75) Inventor: **Marc Zemel**, Melville, NY (US)
- (73) Assignee: **Mr. BAR-B-Q-, Inc.**, Old Bethpage, NY (US)
- (**) Term: **14 Years**
- (21) Appl. No.: **29/364,109**
- (22) Filed: **Jun. 18, 2010**
- (51) **LOC (9) Cl.** **06-06**
- (52) **U.S. Cl.** **D6/511**
- (58) **Field of Classification Search** D6/480-489, D6/511, 429-431, 406.3, 339, 422, 426, 441; 108/150, 152, 153.1, 157.1, 161, 43, 50.01, 108/50.02, 44, 13; D7/550.1, 552.1, 553.6
See application file for complete search history.

- D554,922 S * 11/2007 Chvojsek et al. D6/511
- D564,421 S * 3/2008 McKenna D6/511
- D613,979 S * 4/2010 Moore D6/511

* cited by examiner

Primary Examiner — Brian N Vinson

(74) *Attorney, Agent, or Firm* — Carter, DeLuca, Farrell & Schmidt LLP

(57) **CLAIM**

The ornamental design for a chair supported table, as shown and described.

DESCRIPTION

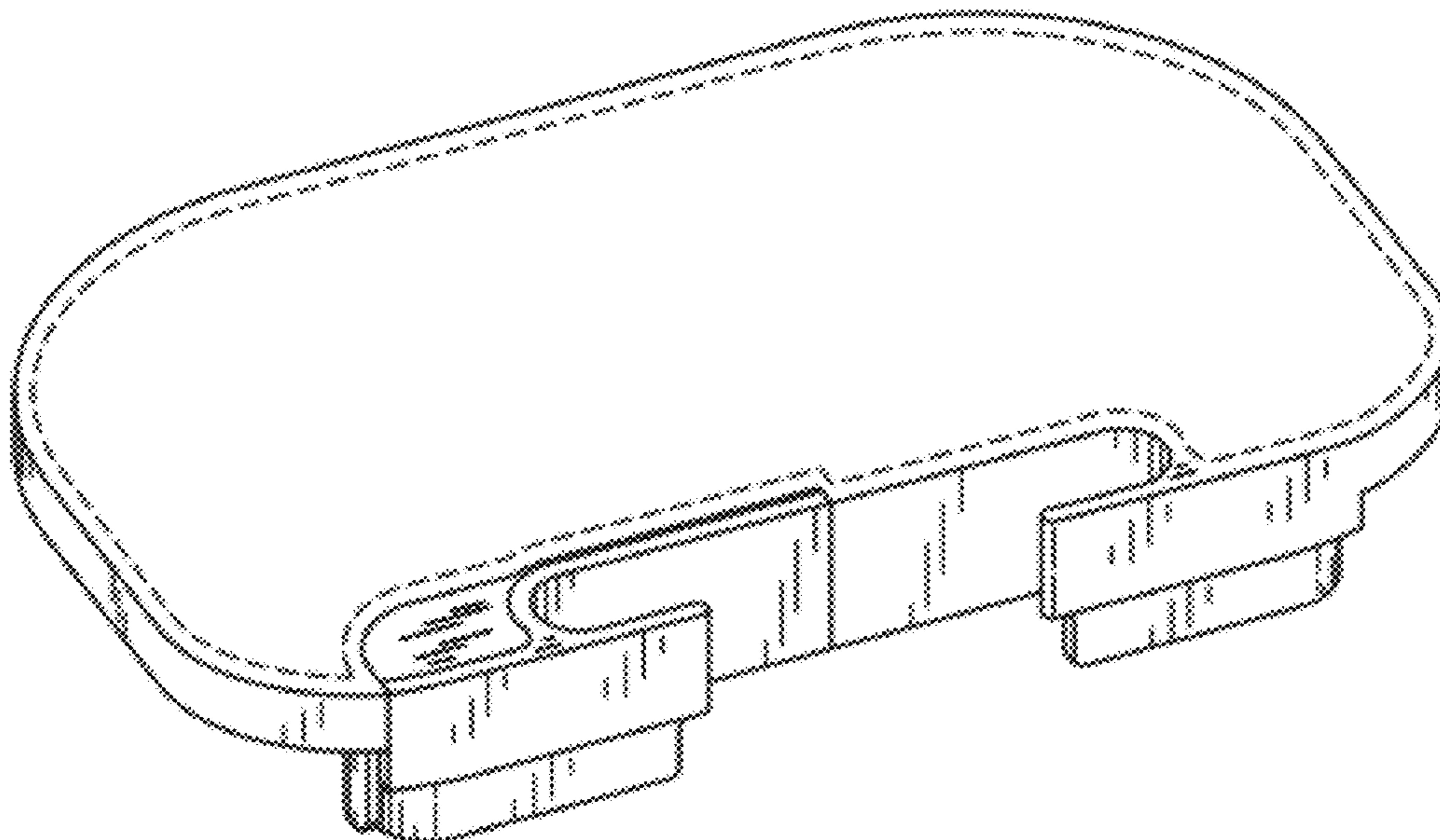
FIG. 1 is a top plan view of a chair supported table showing my new design;
 FIG. 2 is a front elevational view thereof;
 FIG. 3 is a rear elevational view thereof;
 FIG. 4 is a left side elevational view thereof;
 FIG. 5 is a right side elevational view thereof;
 FIG. 6 is a bottom view thereof;
 FIG. 7 is a top plan view thereof with a chair leg bracket being extended;
 FIG. 8 is a bottom view thereof with the chair leg bracket being extended;
 FIG. 9 is a fragmentary sectional view through the extended chair leg bracket, the same being taken along the plane 9-9 of FIG. 7;
 FIG. 10 is a sectional view through the extended chair leg bracket, the same being taken along the plane 10-10 of FIG. 8;
 FIG. 11 is a left side elevational view thereof, with the chair leg bracket extended;
 FIG. 12 is a right side elevational view thereof, with the chair leg bracket extended; and,
 FIG. 13 is a front perspective view thereof.

(56) **References Cited**

U.S. PATENT DOCUMENTS

- 3,232,662 A * 2/1966 Graves 108/13
- 3,822,847 A 7/1974 Emmons
- 4,524,701 A * 6/1985 Chappell 108/44
- 4,589,521 A 5/1986 Finster
- 4,730,802 A 3/1988 Chatham
- D315,463 S * 3/1991 Spiegel D6/511
- D343,083 S * 1/1994 Heiman D6/511
- D353,123 S * 12/1994 Korona D6/511
- D371,644 S * 7/1996 Lillelund et al. D6/511
- 5,542,553 A 8/1996 Penniman
- 5,688,023 A 11/1997 Blocker
- D426,409 S * 6/2000 Clark et al. D6/511
- D479,417 S * 9/2003 Couture et al. D6/511
- D516,227 S 2/2006 Price

1 Claim, 7 Drawing Sheets



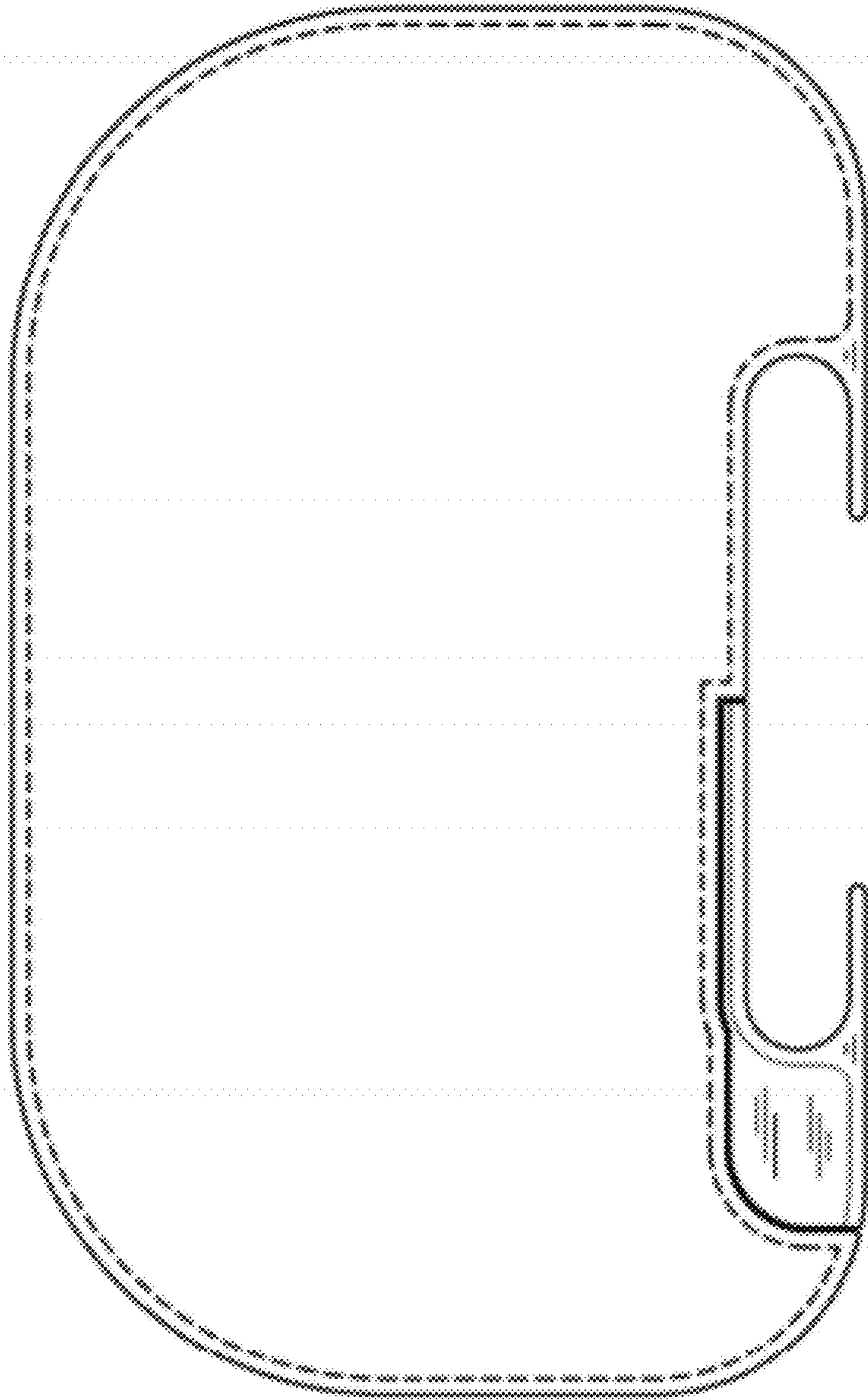


Fig. 1

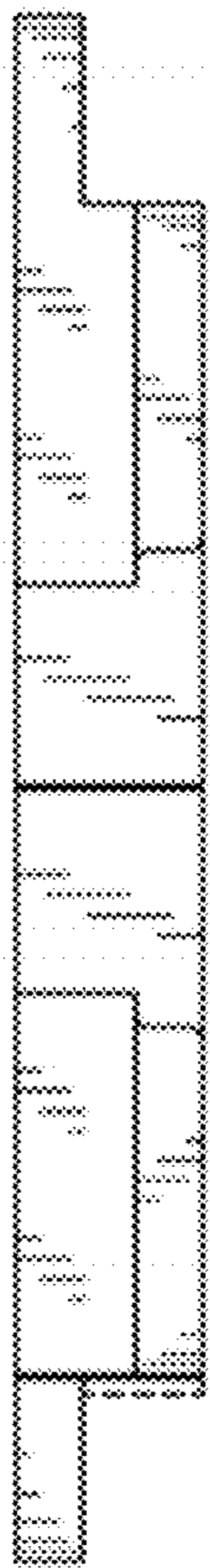


Fig. 2



Fig. 3



Fig. 5



Fig. 4

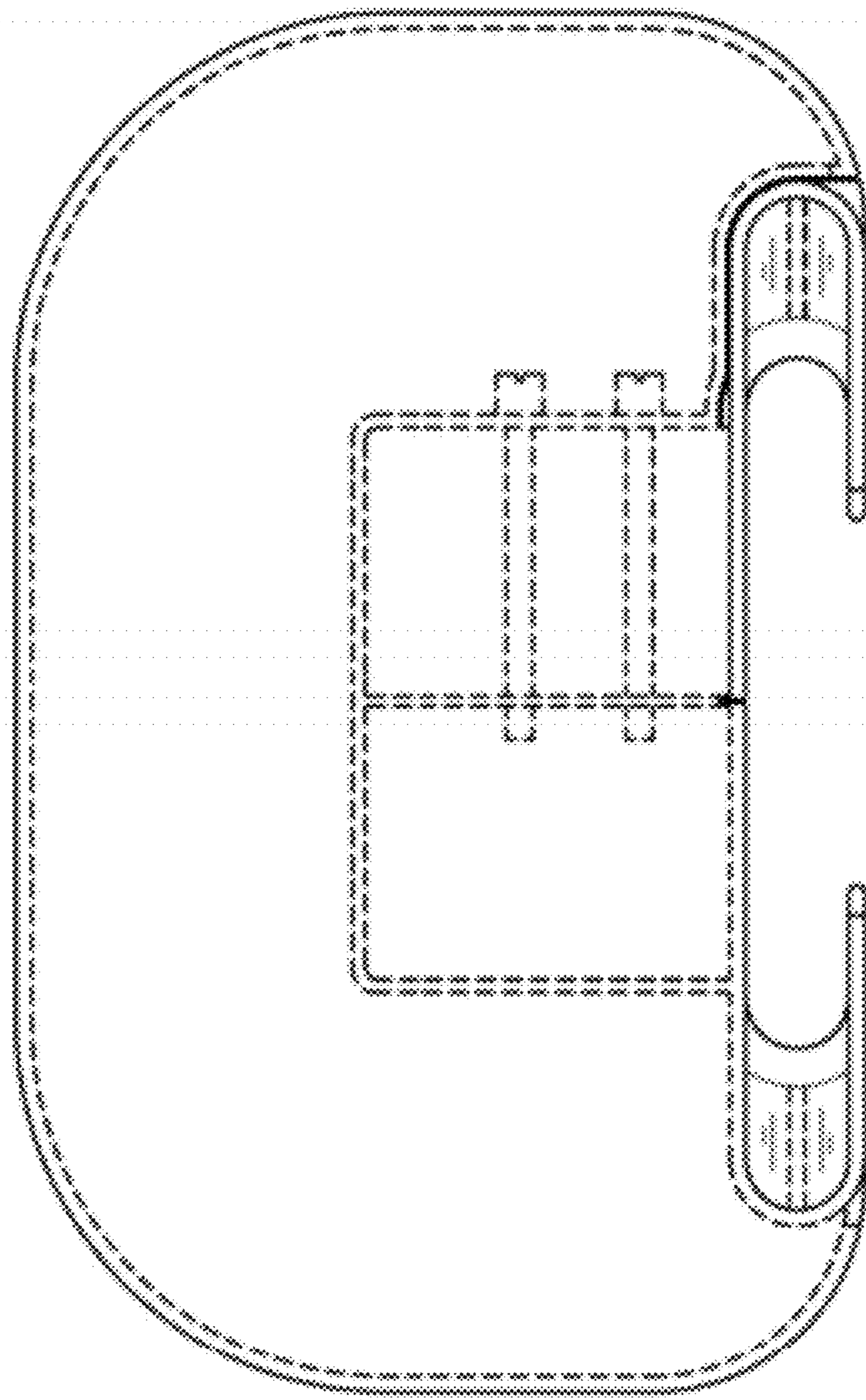


Fig. 6

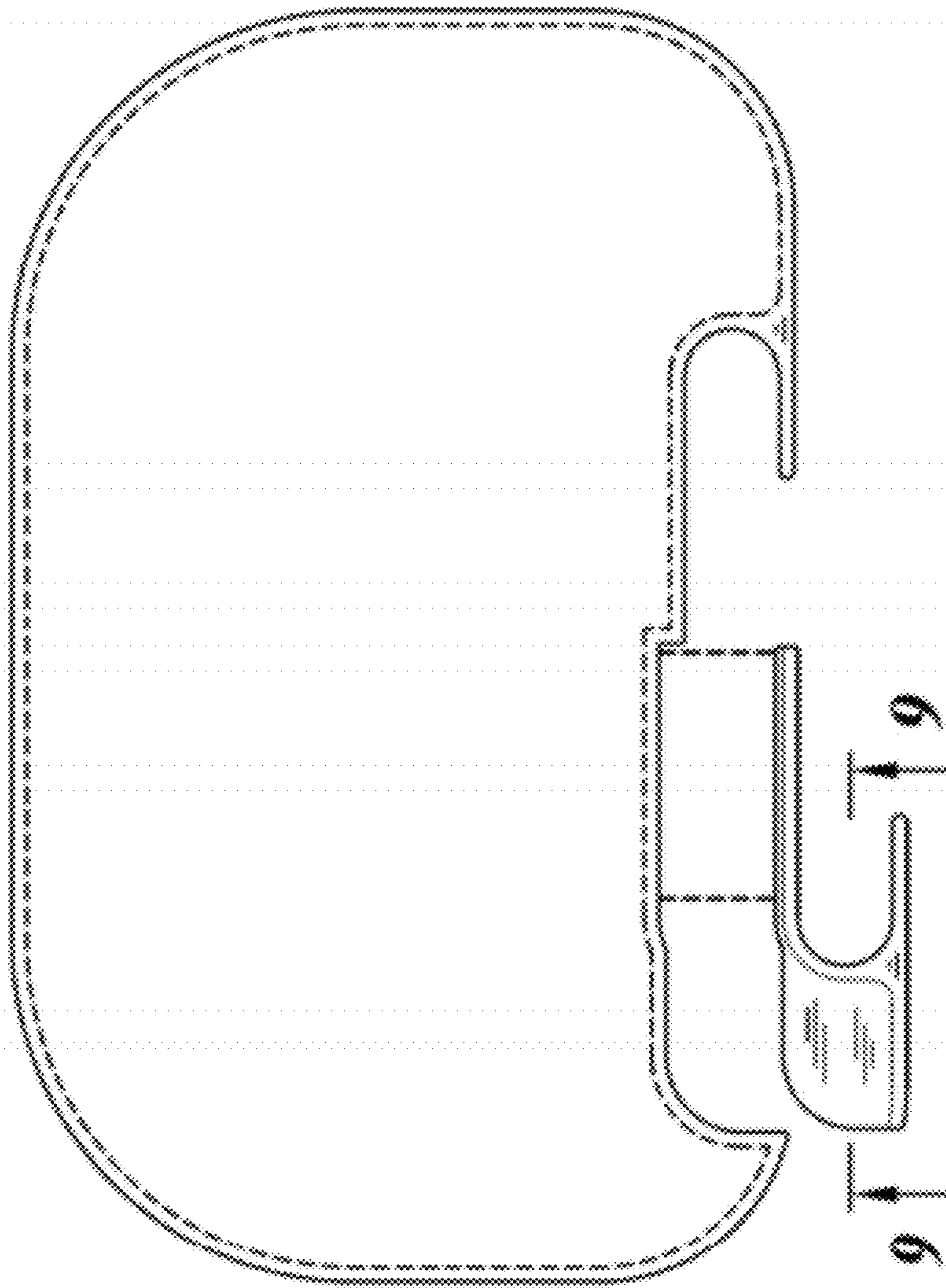


Fig. 7

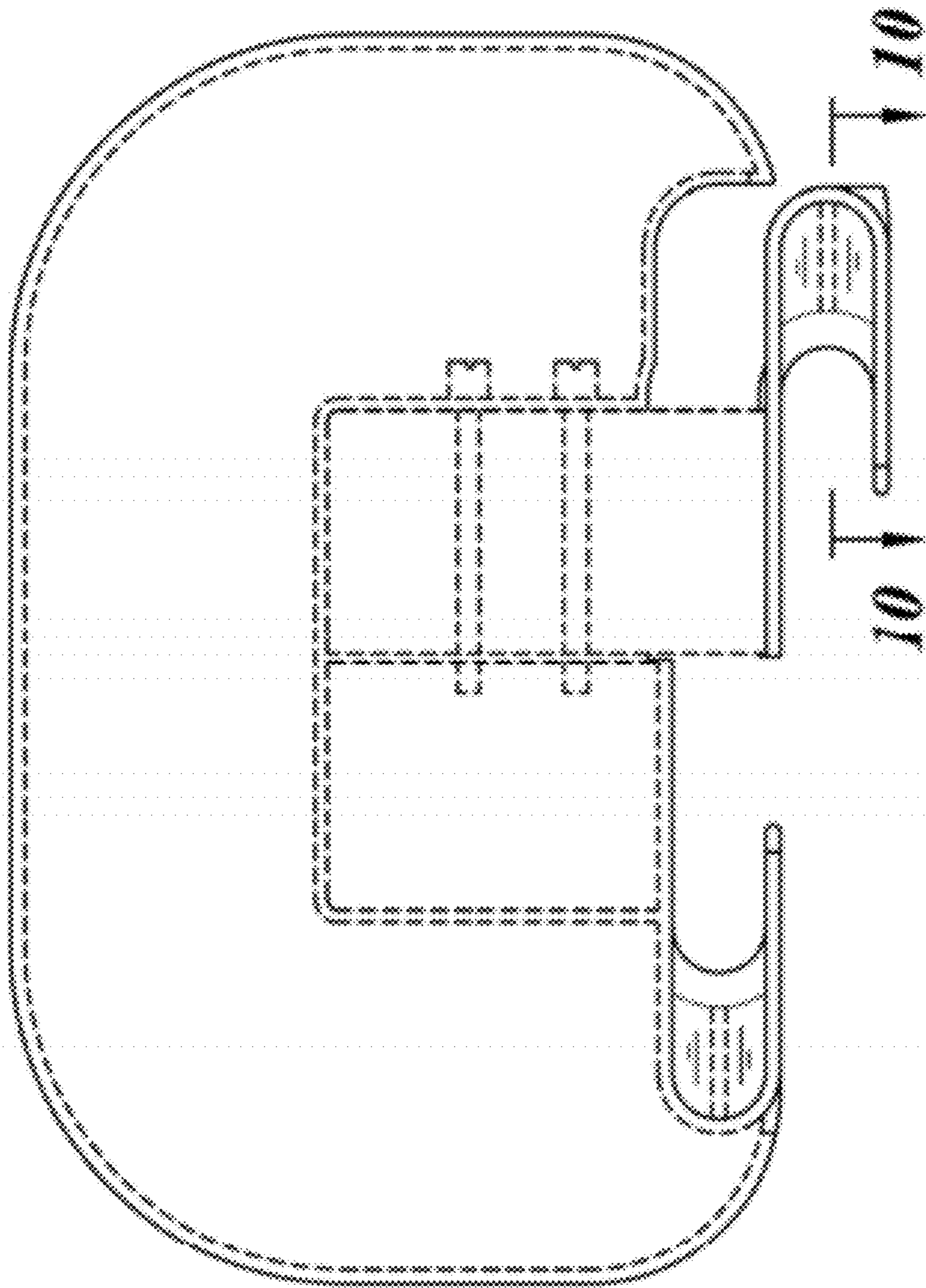


Fig. 8

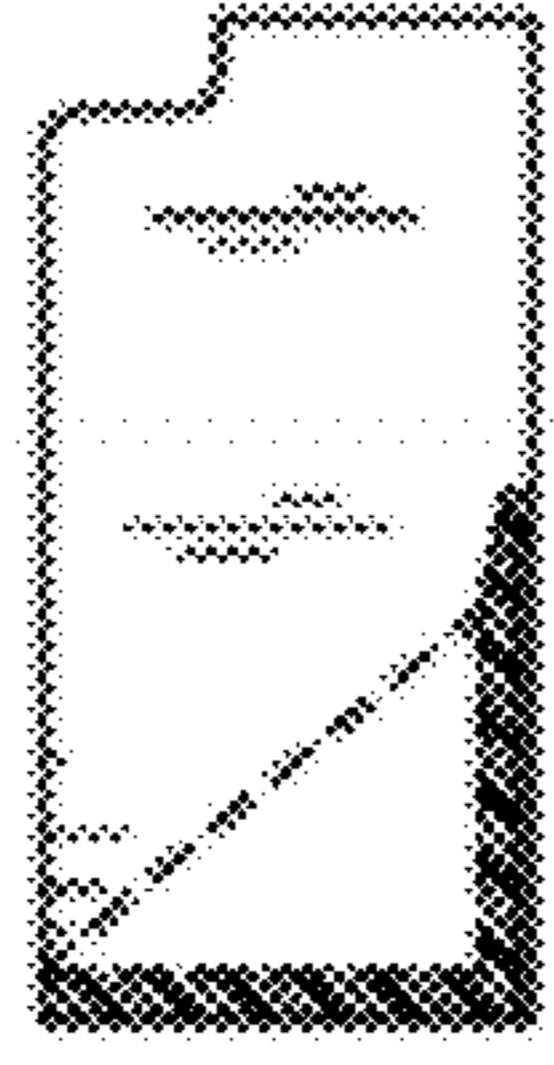


Fig. 9

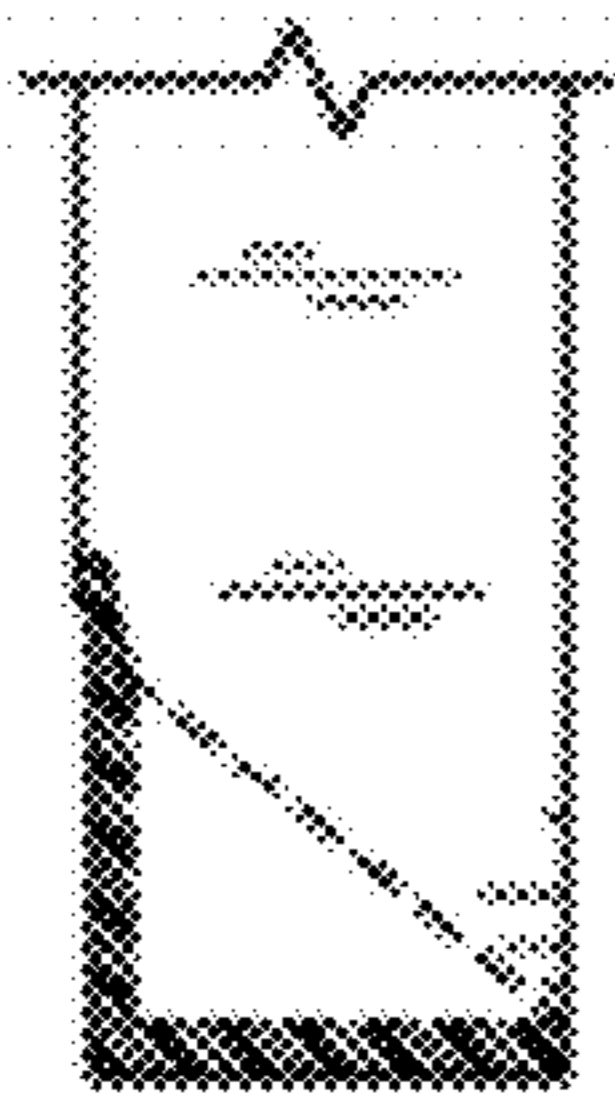


Fig. 10

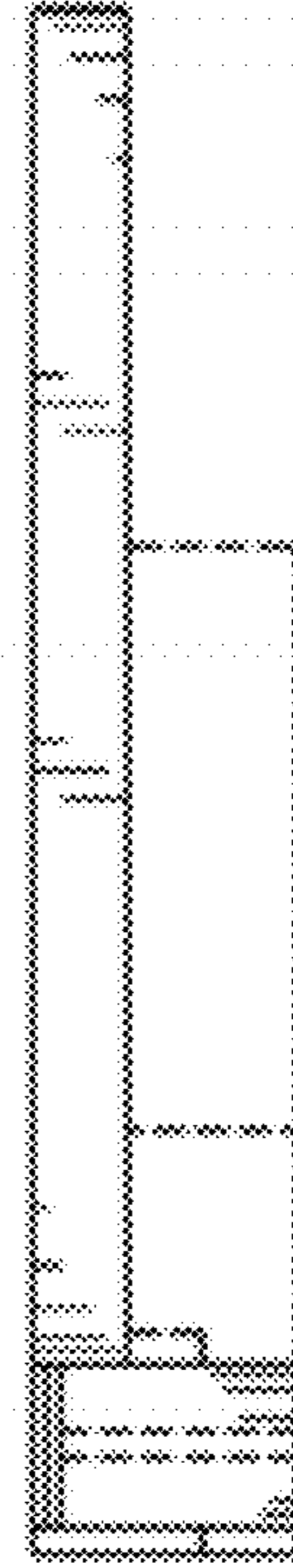


Fig. 11

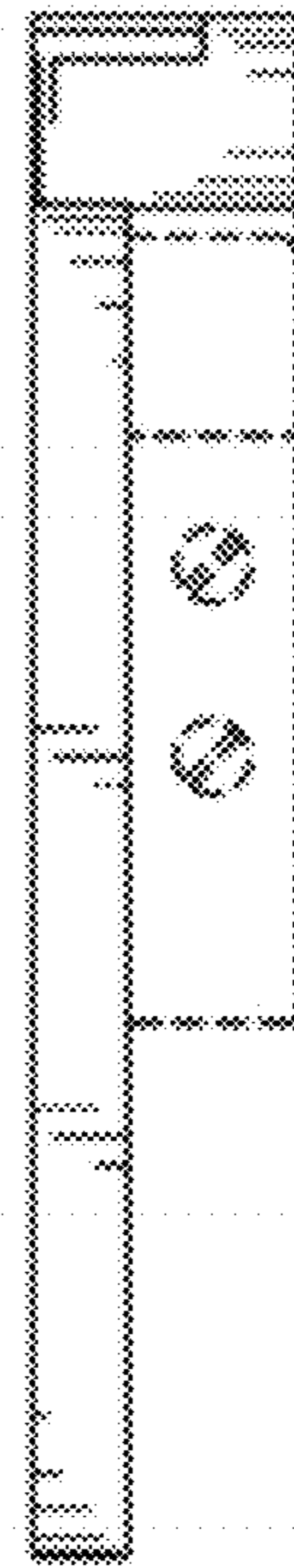


Fig. 12

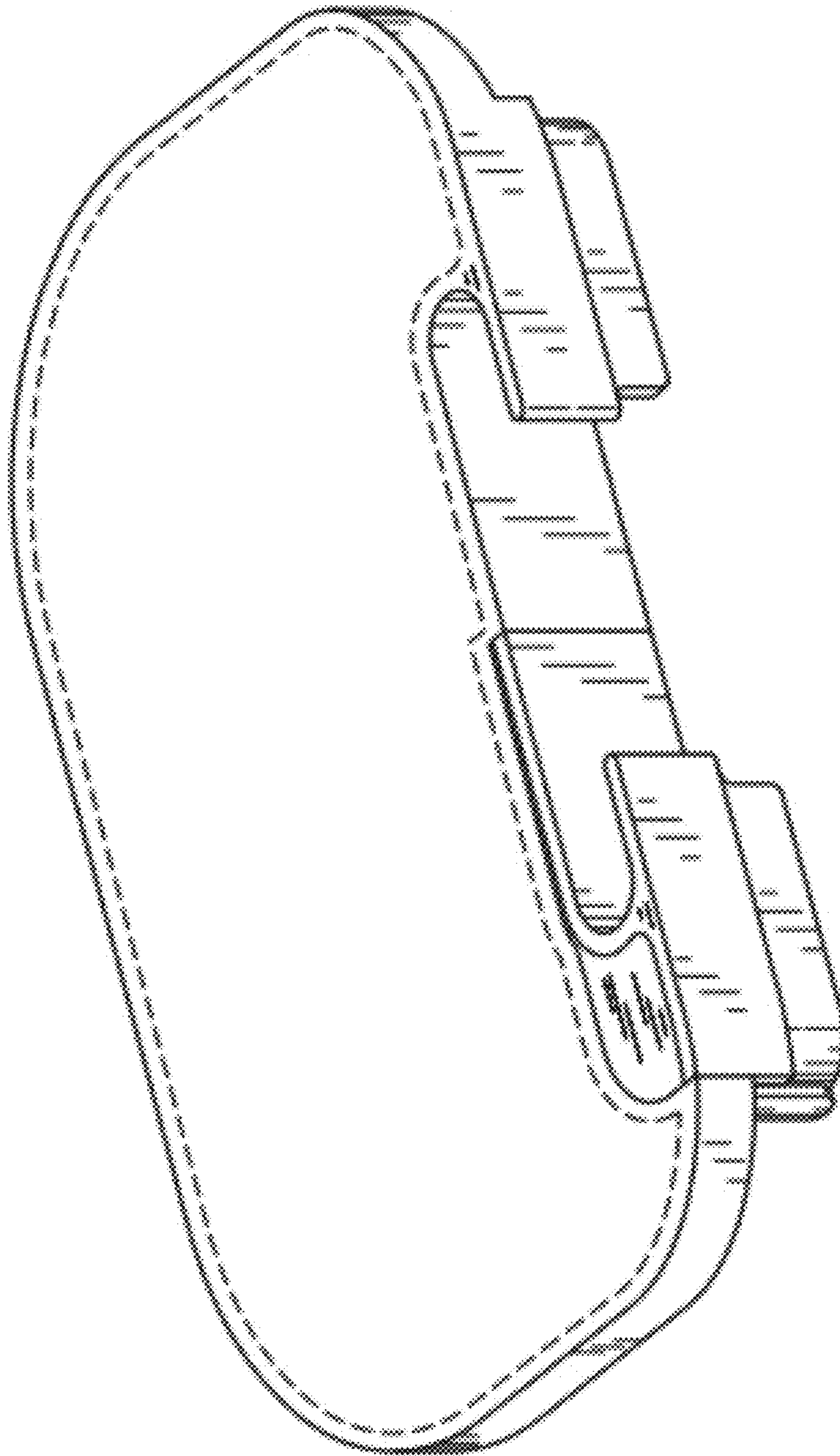


Fig. 13