



US00D655540S

(12) **United States Design Patent**
Zemel

(10) **Patent No.:** **US D655,540 S**

(45) **Date of Patent:** **** Mar. 13, 2012**

(54) **SIDE TABLE**

(75) Inventor: **Marc Zemel**, Melville, NY (US)

(73) Assignee: **Mr. BAR-B-Q-, Inc.**, Old Bethpage, NY (US)

(**) Term: **14 Years**

(21) Appl. No.: **29/361,853**

(22) Filed: **May 17, 2010**

(51) **LOC (9) Cl.** **06-06**

(52) **U.S. Cl.** **D6/511**

(58) **Field of Classification Search** D6/480-489,
D6/511, 429-431, 406.3, 339, 422, 426, 441;
108/150, 152, 153.1, 157.1, 161, 43, 50.01,
108/50.02, 44, 13; D7/550.1, 552.1, 553.6
See application file for complete search history.

(56) **References Cited**

U.S. PATENT DOCUMENTS

3,232,662	A *	2/1966	Graves	108/13
3,822,847	A	7/1974	Emmons		
4,524,701	A *	6/1985	Chappell	108/44
4,589,521	A	5/1986	Finster		
4,730,802	A	3/1988	Chatham		
D315,463	S *	3/1991	Spiegel	D6/511
D343,083	S *	1/1994	Heiman	D6/511
D353,123	S *	12/1994	Korona	D6/511
D371,644	S *	7/1996	Lillelund et al.	D6/511
5,542,553	A	8/1996	Penniman		
5,688,023	A	11/1997	Blocker, Jr.		
D426,409	S *	6/2000	Clark et al.	D6/511
D479,417	S *	9/2003	Couture et al.	D6/511
D516,227	S	2/2006	Price		
D554,922	S *	11/2007	Chvojcssek et al.	D6/511
D564,421	S *	3/2008	McKenna	D6/511
D613,979	S *	4/2010	Moore	D6/511

* cited by examiner

Primary Examiner — Brian N Vinson

(74) *Attorney, Agent, or Firm* — Carter, DeLuca, Farrell & Schmidt LLP

(57) **CLAIM**

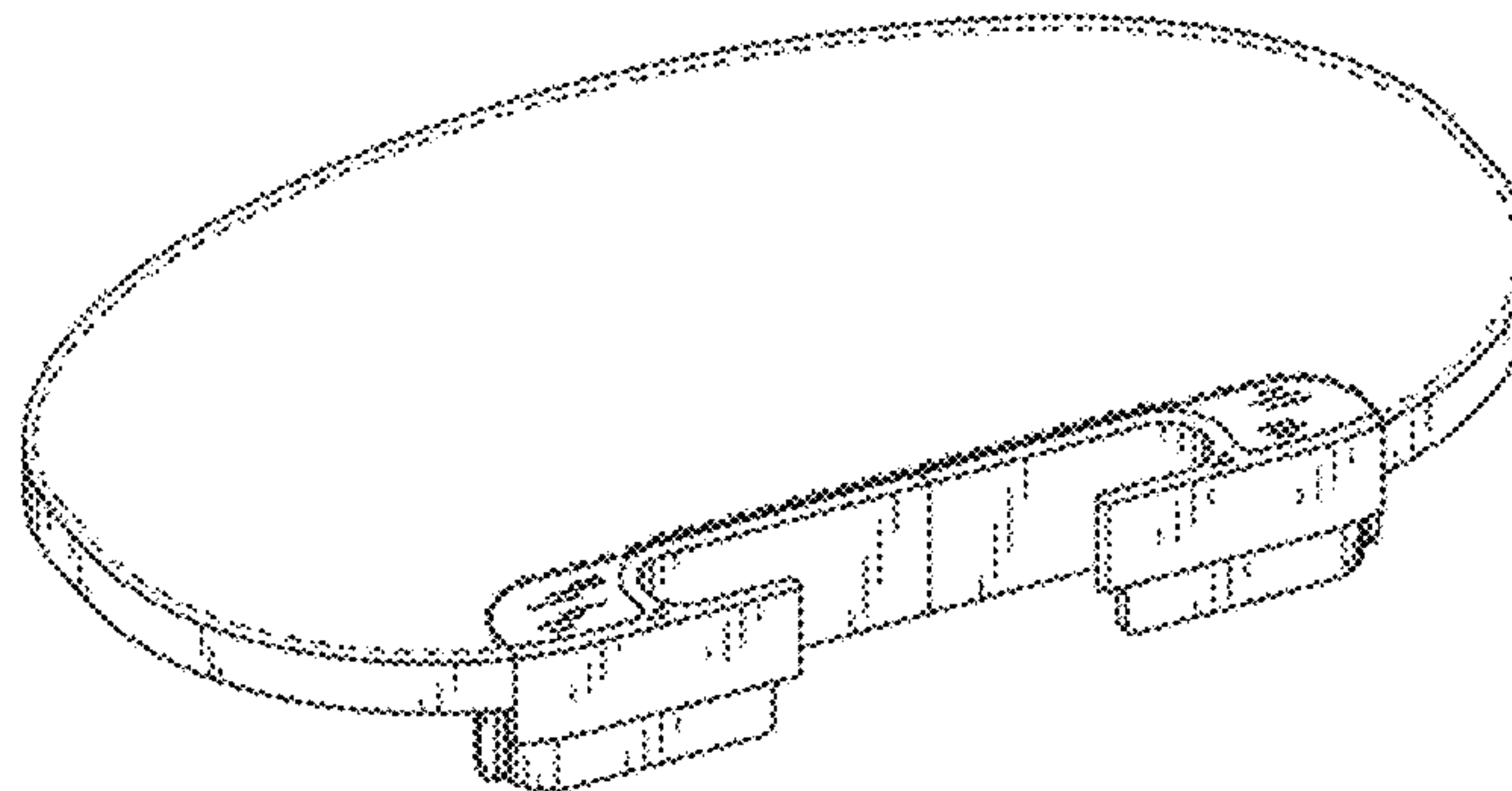
The ornamental design for a side table, as shown and described.

DESCRIPTION

FIG. 1 is a top plan view of a side table showing my new design;
 FIG. 2 is a front elevational view thereof;
 FIG. 3 is a rear elevational view thereof;
 FIG. 4 is a left side elevational view thereof;
 FIG. 5 is a right side elevational view thereof;
 FIG. 6 is a bottom view thereof;
 FIG. 7 is a top plan view thereof with a left chair leg bracket being extended;
 FIG. 8 is a bottom view thereof with the left chair leg bracket being extended;
 FIG. 9 is a fragmentary sectional view through the left chair leg bracket, the same being taken along the plane 9-9 of FIG. 7;
 FIG. 10 is a sectional view through the left chair leg bracket, the same being taken along the plane 10-10 of FIG. 8;
 FIG. 11 is a left side elevational view thereof, with the left chair leg bracket extended;
 FIG. 12 is a right side elevational view thereof, with the left chair leg bracket extended; and,
 FIG. 13 is a front perspective view thereof.

The broken line showings form no part of the claimed design and the right chair leg bracket may be extended in lieu of the left chair leg bracket, with the views corresponding to those of FIGS. 7-11 appearing as mirror images.

1 Claim, 7 Drawing Sheets



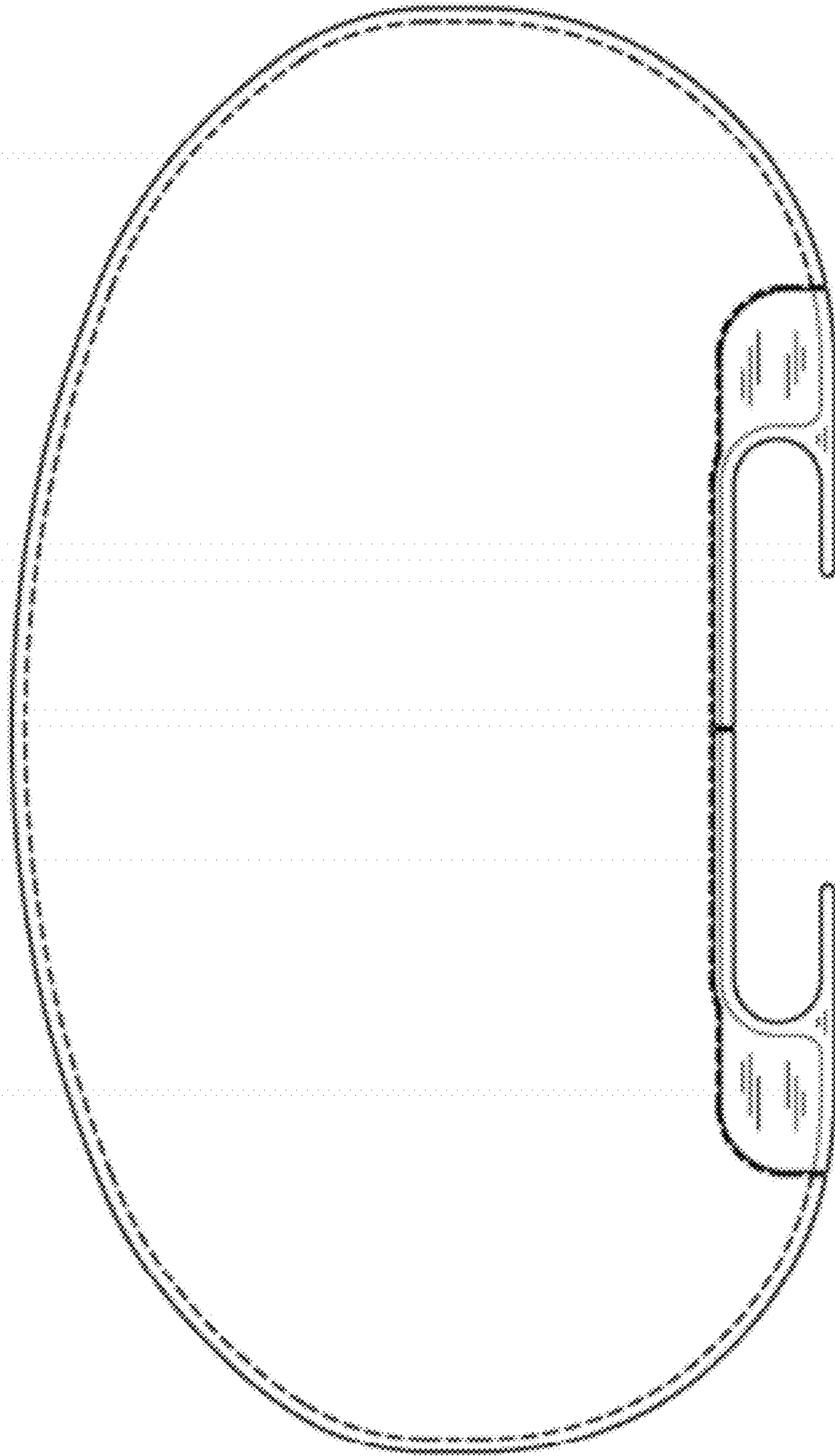


Fig. 1



Fig. 2

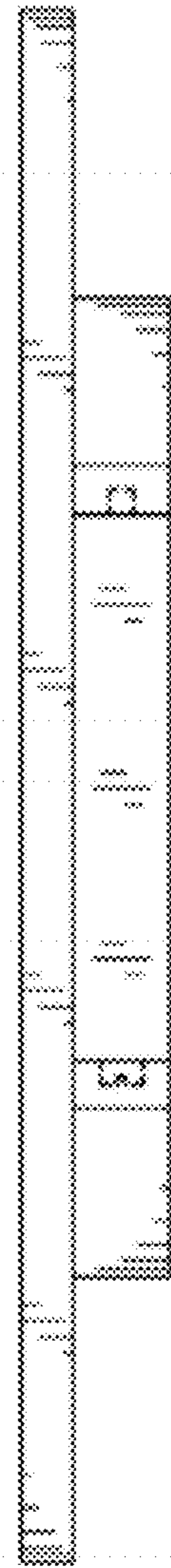


Fig. 3

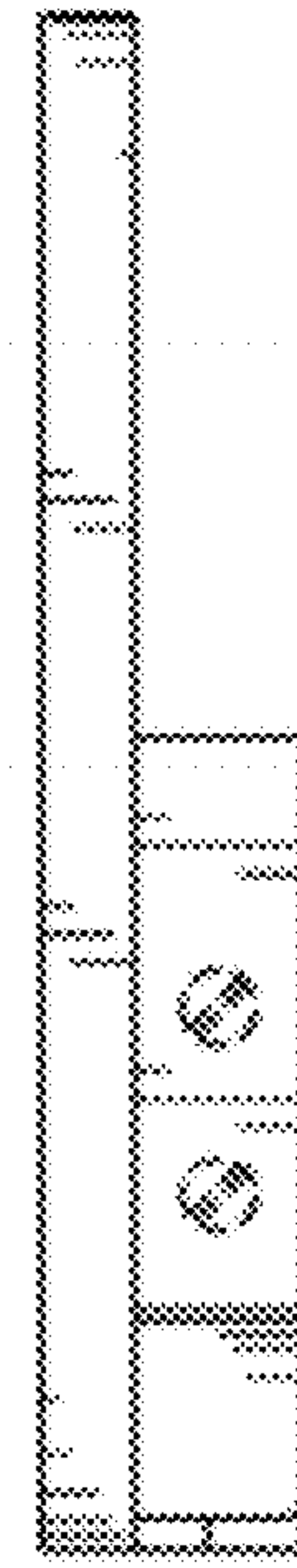


Fig. 5

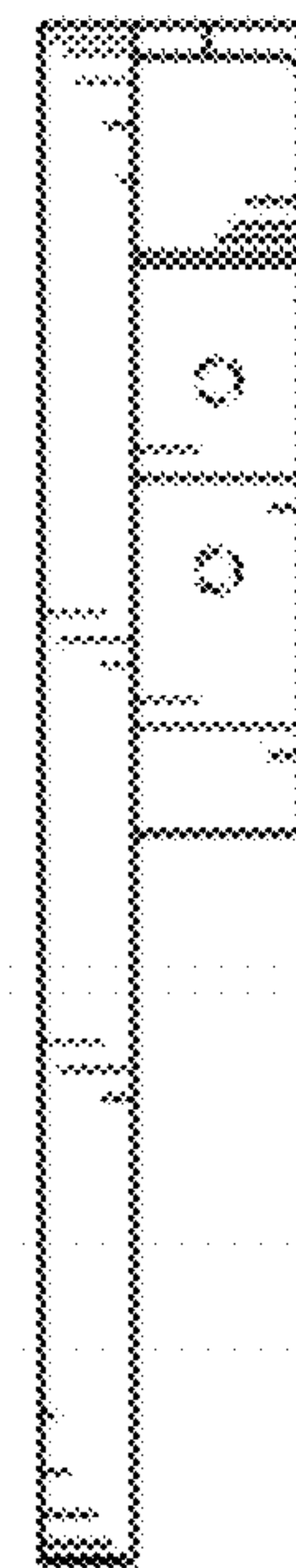


Fig. 4

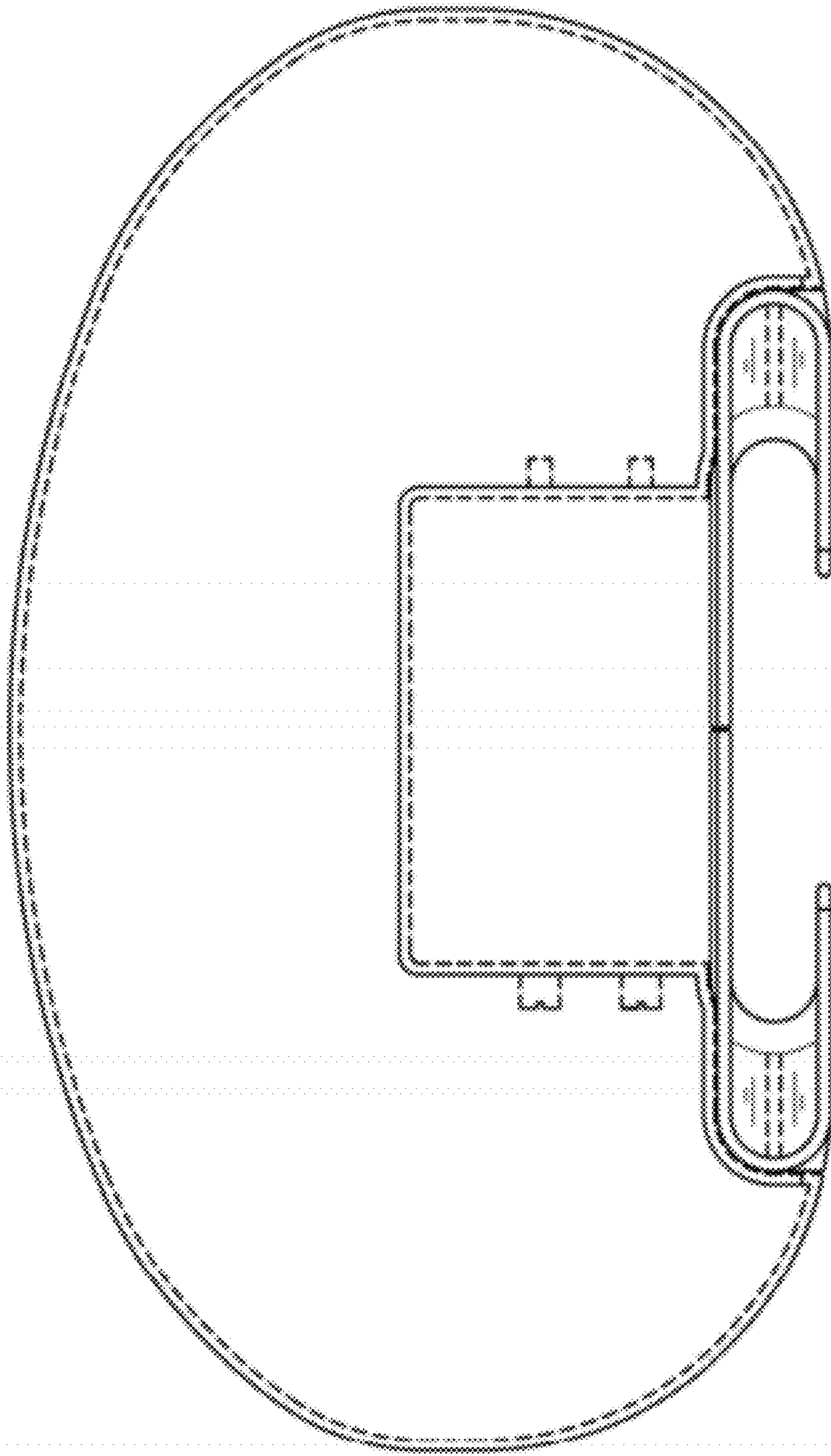


Fig. 6

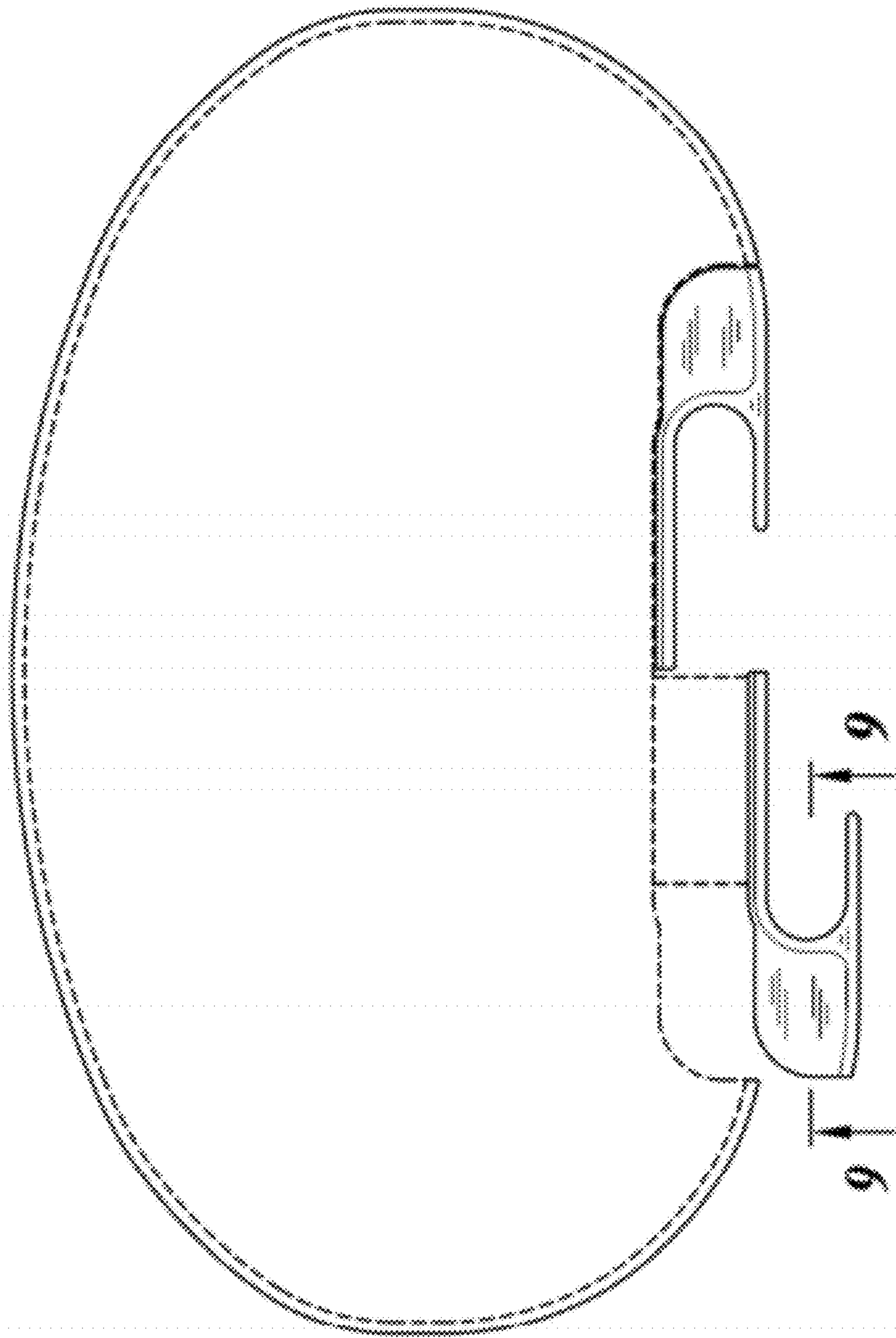


Fig. 7

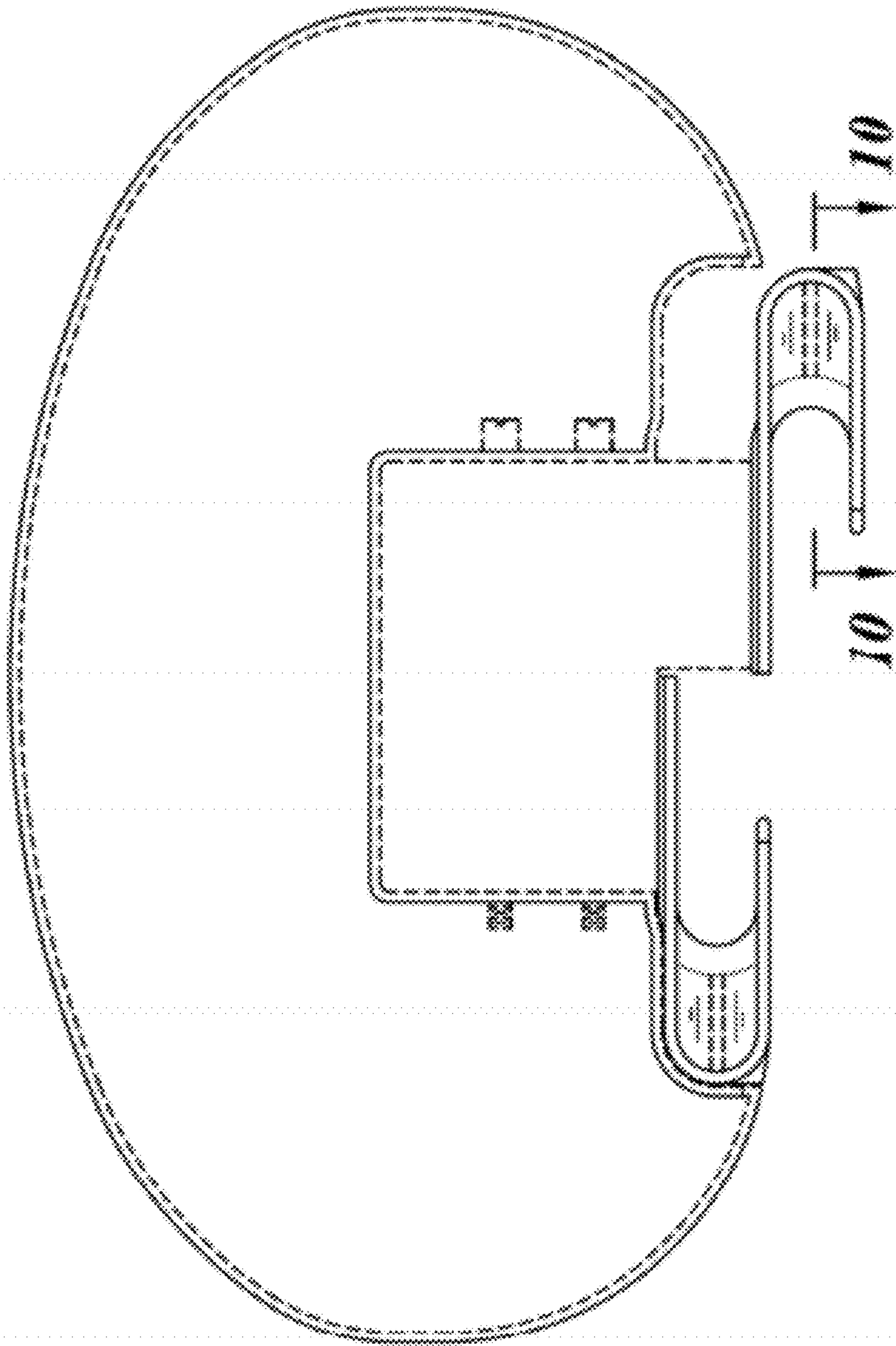


Fig. 8

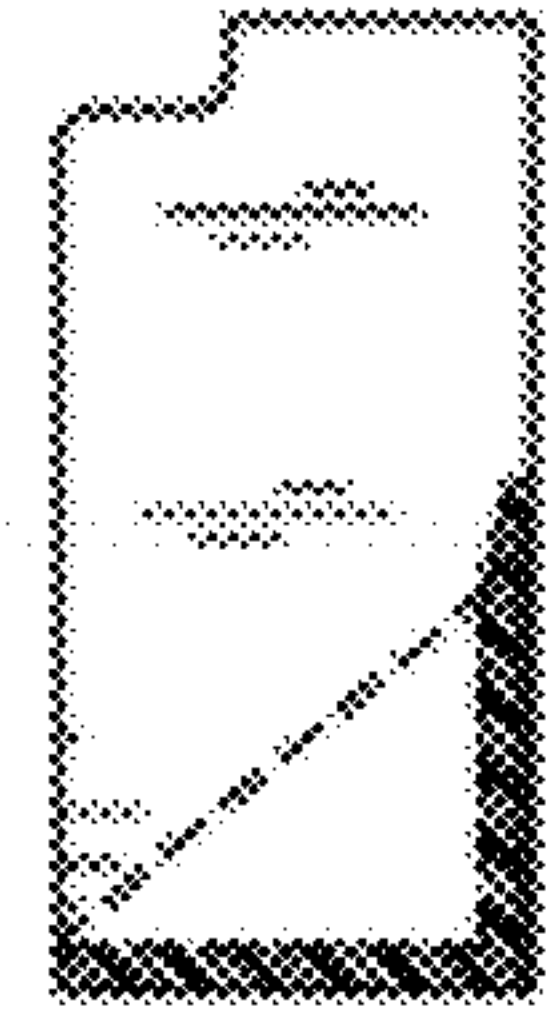


Fig. 9

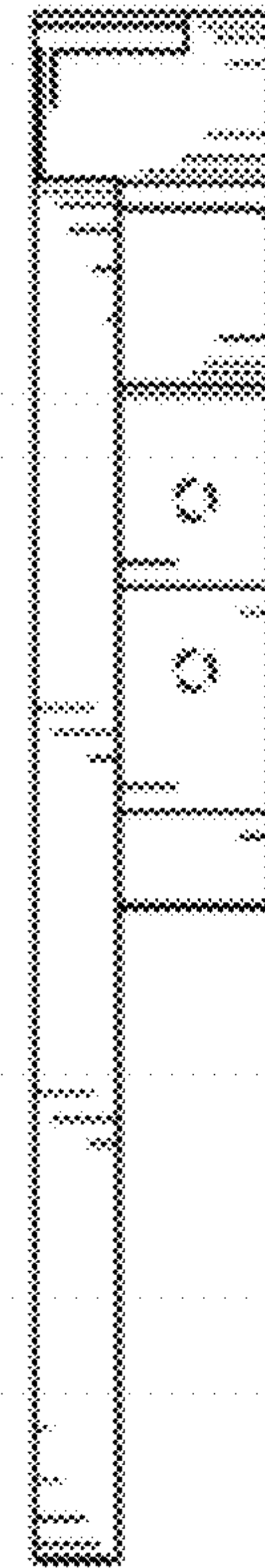


Fig. 11

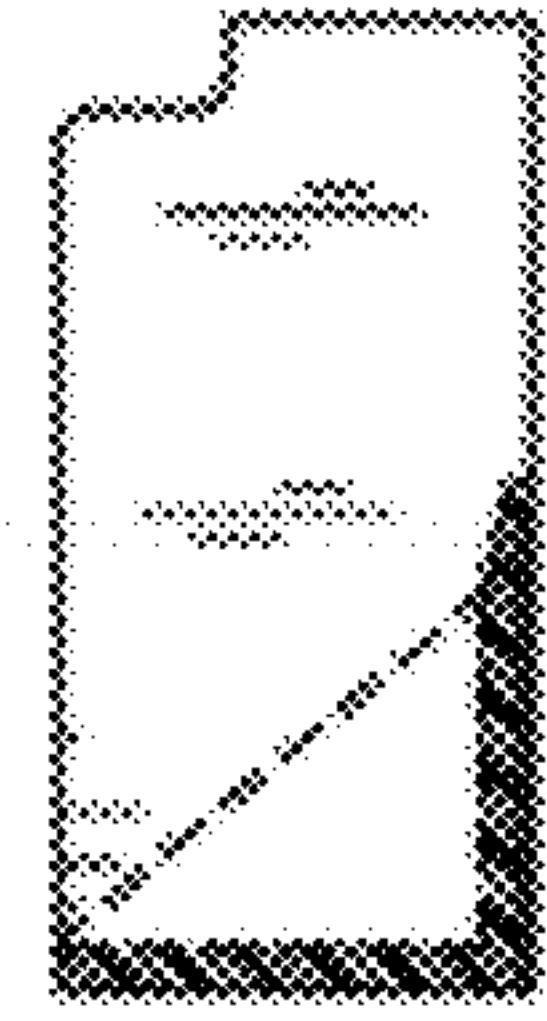


Fig. 10



Fig. 12

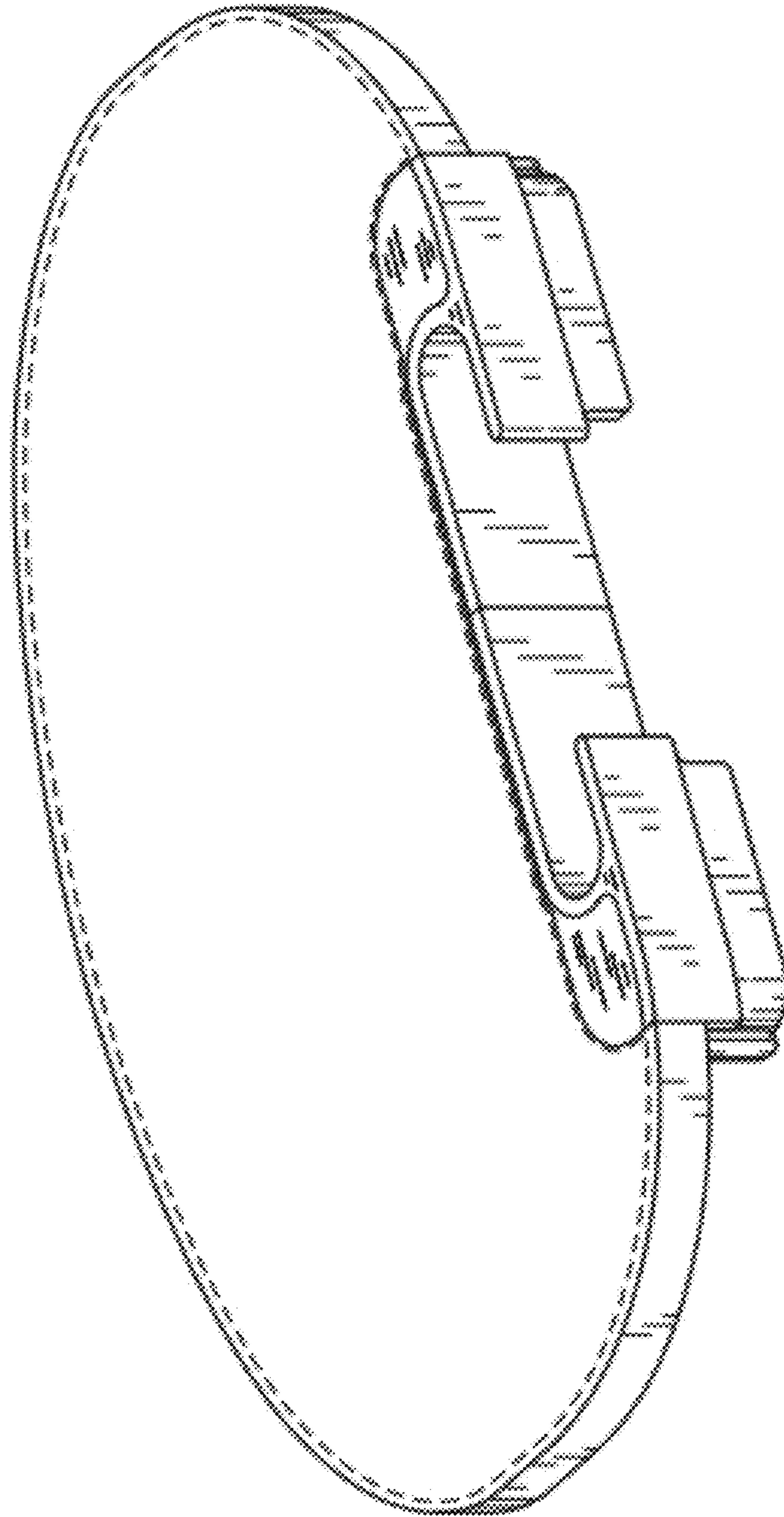


Fig. 13