



US00D655539S

(12) **United States Design Patent**
Kubryk

(10) **Patent No.:** **US D655,539 S**
(45) **Date of Patent:** **** Mar. 13, 2012**

(54) **TASK CHAIR**

(76) Inventor: **Isaac Kubryk**, Lockeford, CA (US)

(**) Term: **14 Years**

(21) Appl. No.: **29/370,442**

(22) Filed: **Jul. 16, 2010**

(51) **LOC (9) Cl.** **06-01**

(52) **U.S. Cl.** **D6/500; D6/366**

(58) **Field of Classification Search** D6/334-336,
D6/364, 365, 366, 367, 374, 375, 376, 379,
D6/500-502; 297/411.2, 411.28, 452.12,
297/452.19, 452.26, 452.29, 452.32, 452.35,
297/452.48

See application file for complete search history.

(56) **References Cited**

U.S. PATENT DOCUMENTS

D337,666	S	*	7/1993	Peterson et al.	D6/366
D346,502	S	*	5/1994	Ochsner	D6/379
D354,178	S	*	1/1995	Ochsner	D6/366
D391,424	S	*	3/1998	Raftery	D6/500
5,988,746	A	*	11/1999	Raftery	297/411.28
D427,793	S	*	7/2000	Groulx et al.	D6/366
D484,711	S	*	1/2004	Getzel	D6/366
D493,987	S	*	8/2004	True	D6/500

D507,712	S	*	7/2005	Grove	D6/500
D529,735	S	*	10/2006	Chen	D6/500
D607,672	S	*	1/2010	Kubryk	D6/500
D611,276	S	*	3/2010	Kubryk	D6/500
D611,738	S	*	3/2010	Kubryk	D6/500
D622,985	S	*	9/2010	Kubryk	D6/500

* cited by examiner

Primary Examiner — Mimoso De

(74) *Attorney, Agent, or Firm* — Audrey A. Millemann;
Weintruab Genshlea et al.

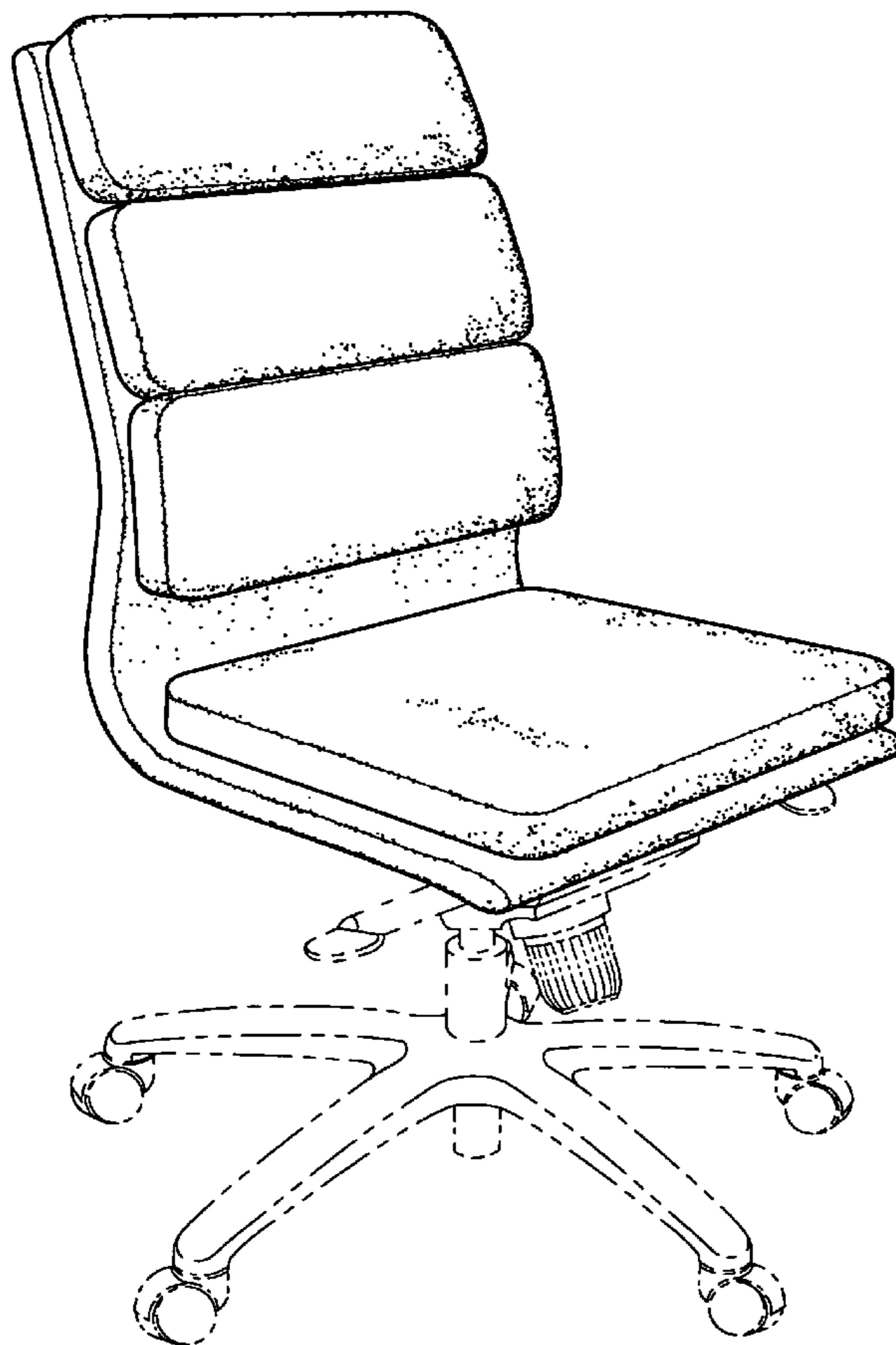
(57) **CLAIM**

The ornamental design for a task chair, as shown and described.

DESCRIPTION

FIG. 1 is a perspective view of a task chair, looking toward the right front corner, showing my new design; FIG. 2 is a front view thereof; FIG. 3 is a back view thereof; FIG. 4 is a right side elevation view thereof; FIG. 5 is top view thereof; and, FIG. 6 is a bottom view thereof. The broken lines showing of the base of the chair are for illustrative purposes only and form no part of the claimed design.

1 Claim, 5 Drawing Sheets



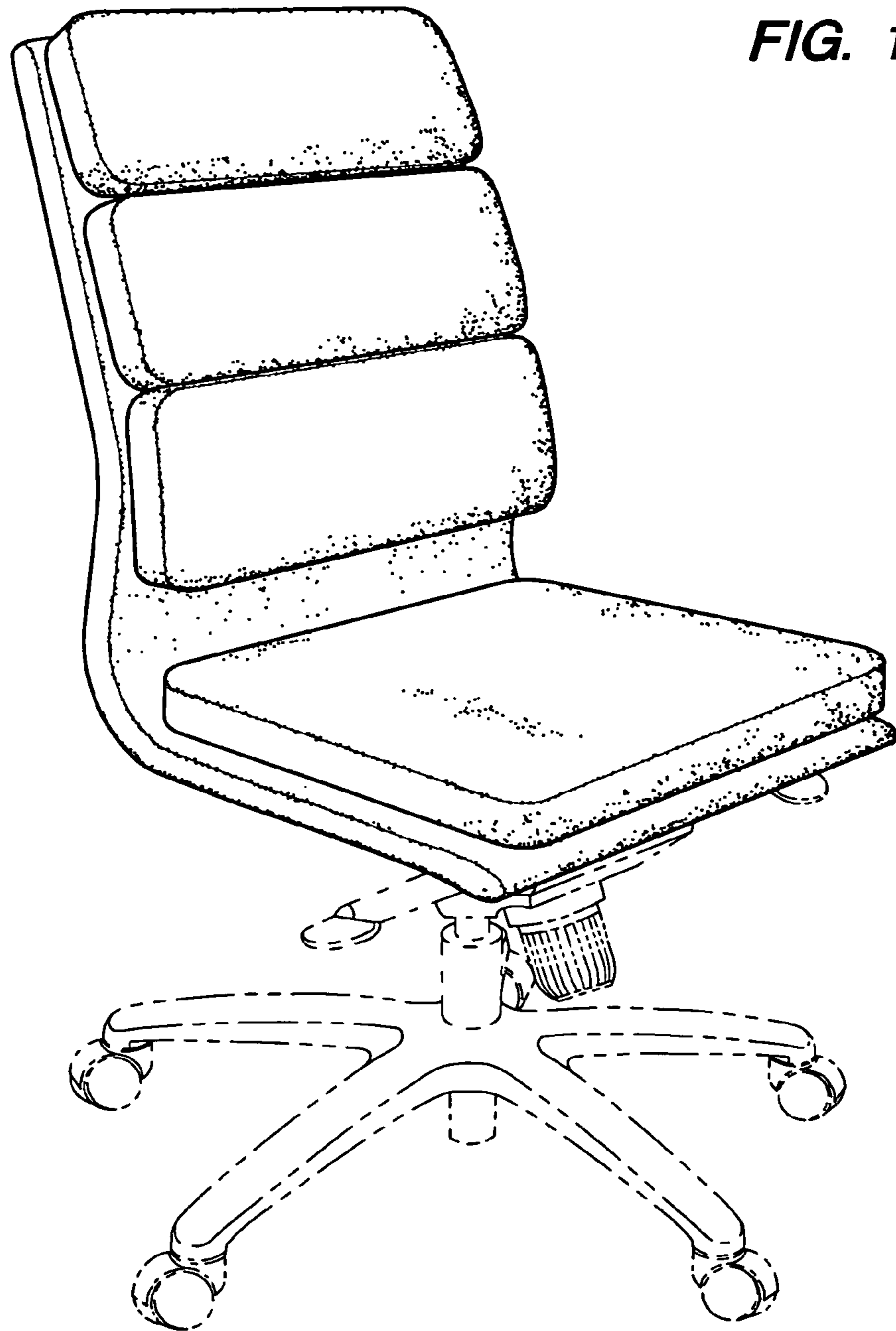


FIG. 1

FIG. 2

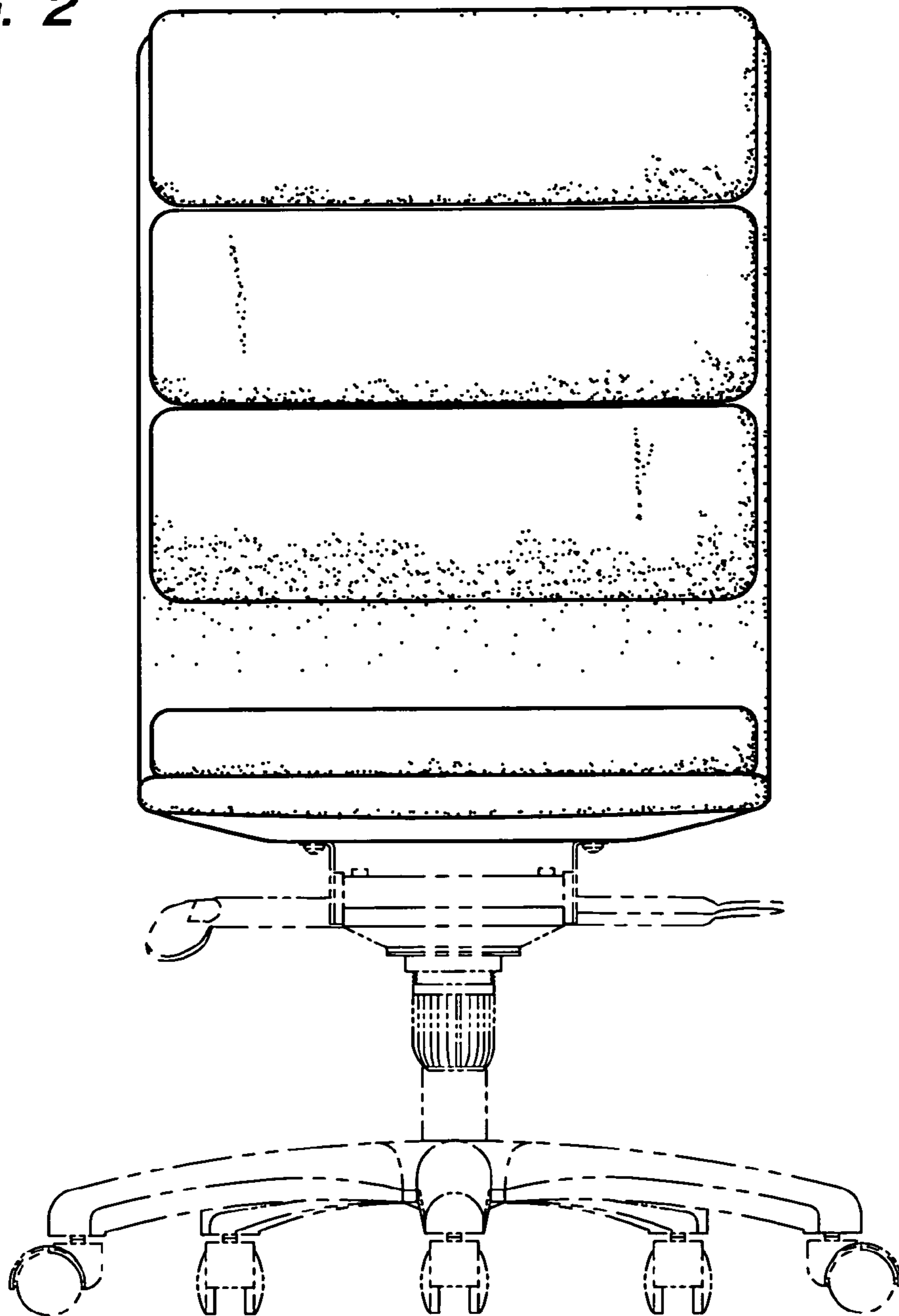


FIG. 3

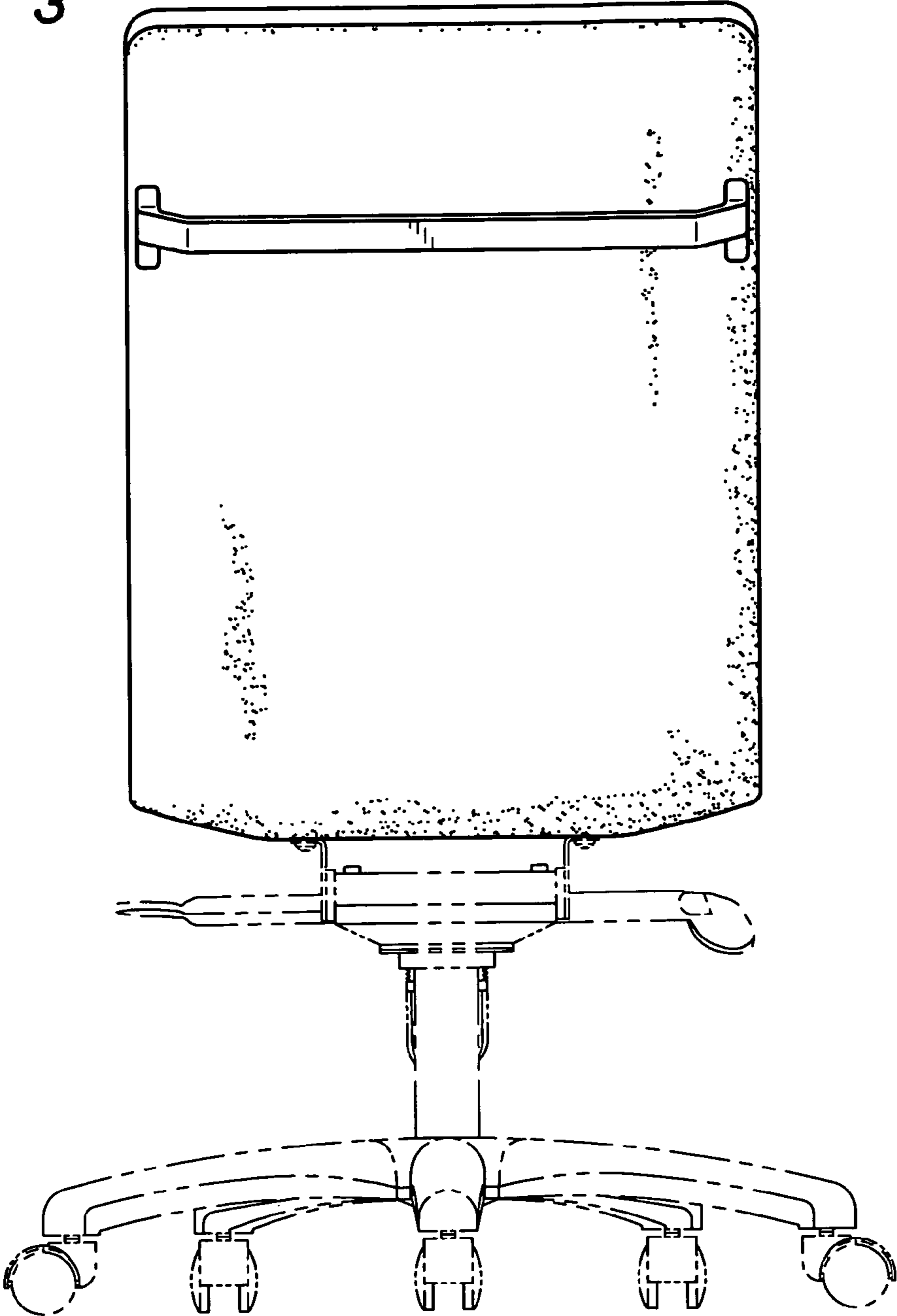
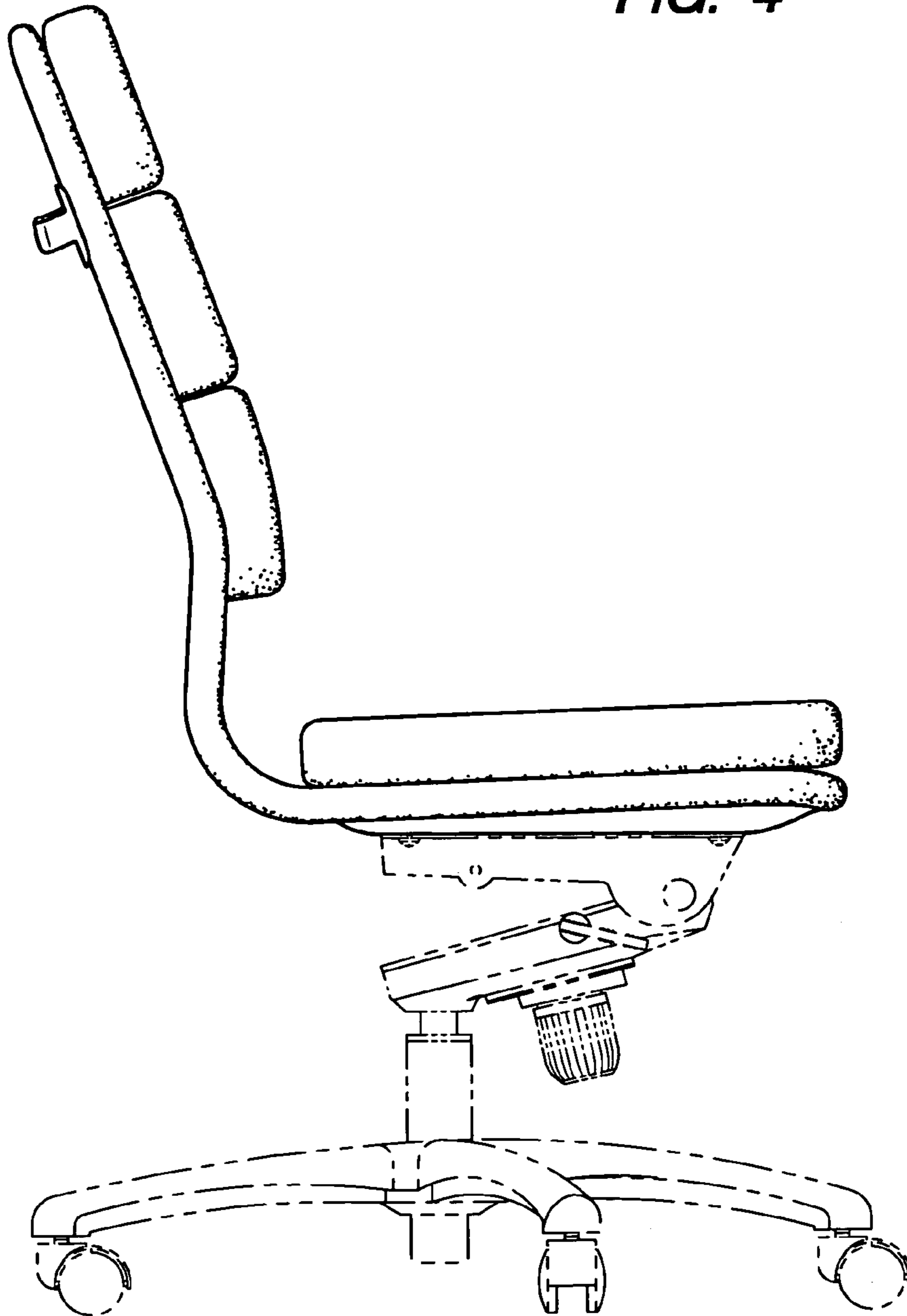


FIG. 4



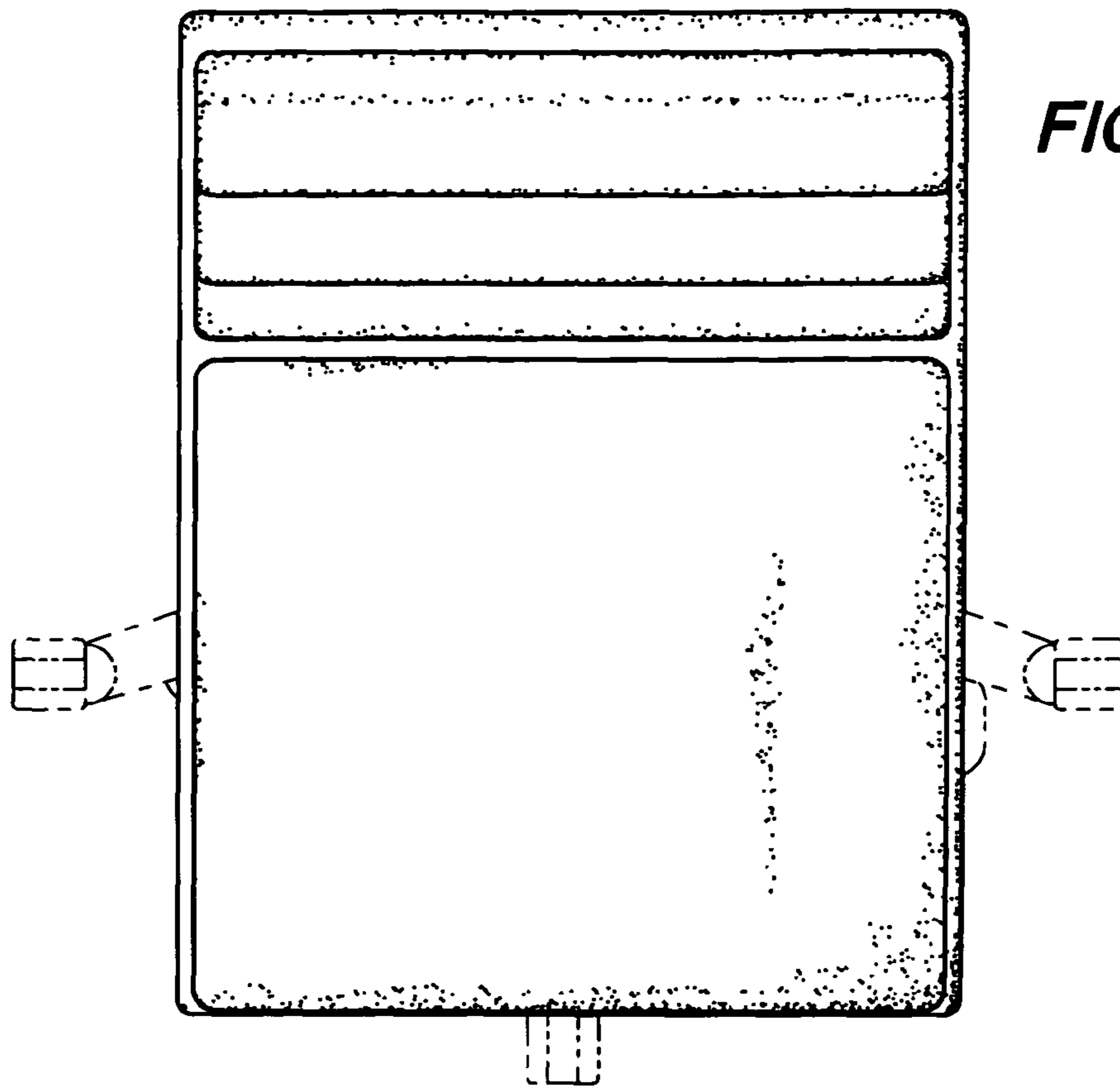


FIG. 5

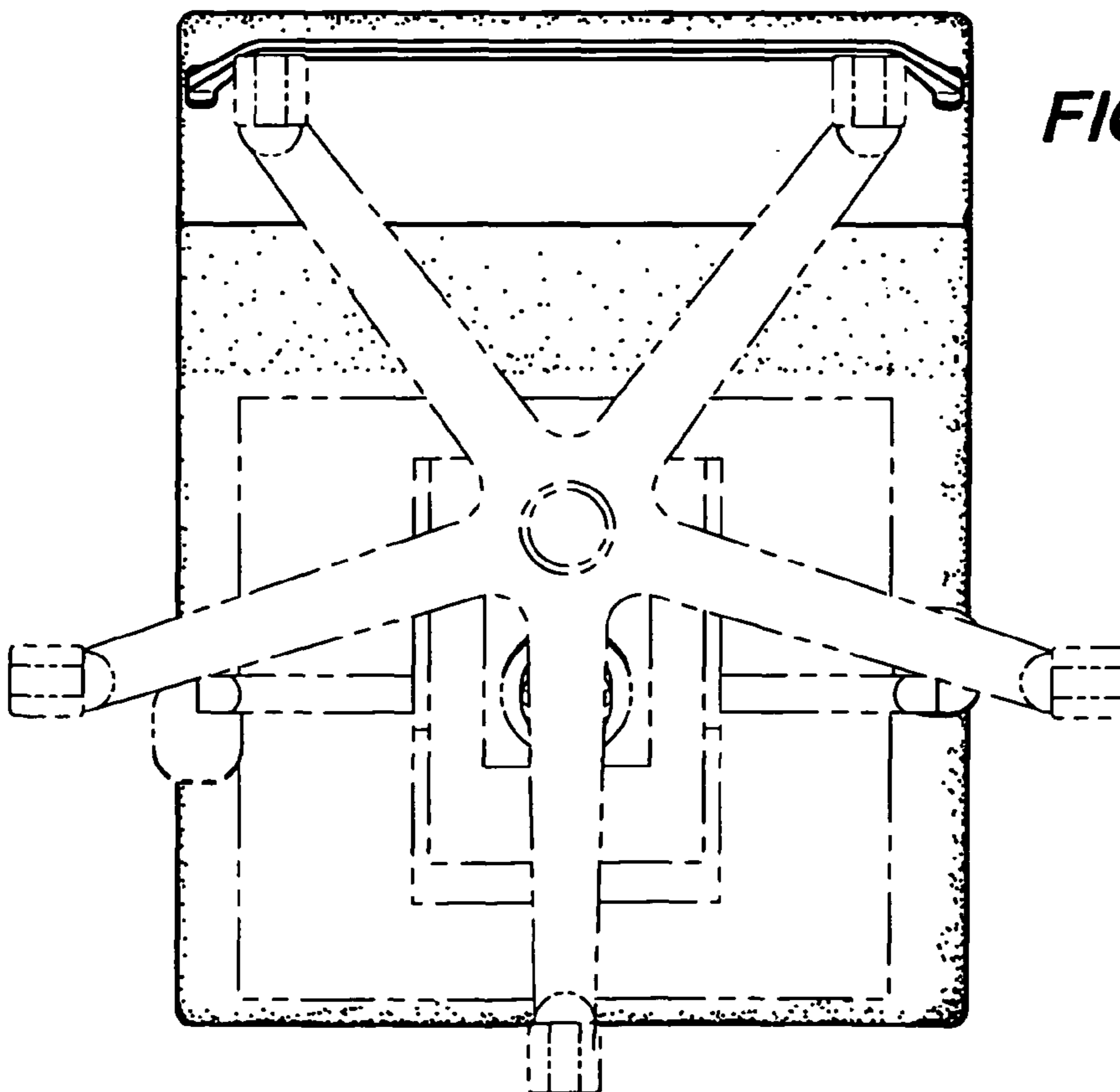


FIG. 6