



US00D655538S

(12) **United States Design Patent**  
**Kubryk**

(10) **Patent No.:** **US D655,538 S**  
(45) **Date of Patent:** **\*\* Mar. 13, 2012**

(54) **TASK CHAIR**

(76) Inventor: **Isaac Kubryk**, Lockeford, CA (US)

(\*\*) Term: **14 Years**

(21) Appl. No.: **29/370,441**

(22) Filed: **Jul. 16, 2010**

(51) **LOC (9) Cl.** ..... **06-01**

(52) **U.S. Cl.** ..... **D6/500; D6/366**

(58) **Field of Classification Search** ..... D6/334-336,  
D6/364, 365, 366, 367, 374, 375, 376, 379,  
D6/500-502; 297/411.2, 411.28, 452.12,  
297/452.19, 452.26, 452.29, 452.32, 452.35,  
297/452.48

See application file for complete search history.

(56) **References Cited**

**U.S. PATENT DOCUMENTS**

D337,666 S *	7/1993	Peterson et al.	.....	D6/366
D346,502 S *	5/1994	Ochsner	.....	D6/379
D354,178 S *	1/1995	Ochsner	.....	D6/366
D391,424 S *	3/1998	Raflery	.....	D6/500
5,988,746 A *	11/1999	Raflery	.....	297/411.28
D427,793 S *	7/2000	Groulx et al.	.....	D6/366
D484,711 S *	1/2004	Getzel	.....	D6/366
D493,987 S *	8/2004	True	.....	D6/500

D507,712 S *	7/2005	Grove	.....	D6/500
D529,735 S *	10/2006	Chen	.....	D6/500
D607,672 S *	1/2010	Kubryk	.....	D6/500
D611,276 S *	3/2010	Kubryk	.....	D6/500
D611,738 S *	3/2010	Kubryk	.....	D6/500
D622,985 S *	9/2010	Kubryk	.....	D6/500

\* cited by examiner

*Primary Examiner* — Mimoso De

(74) *Attorney, Agent, or Firm* — Audrey A. Millemann;  
Weintraub Genshlea et al.

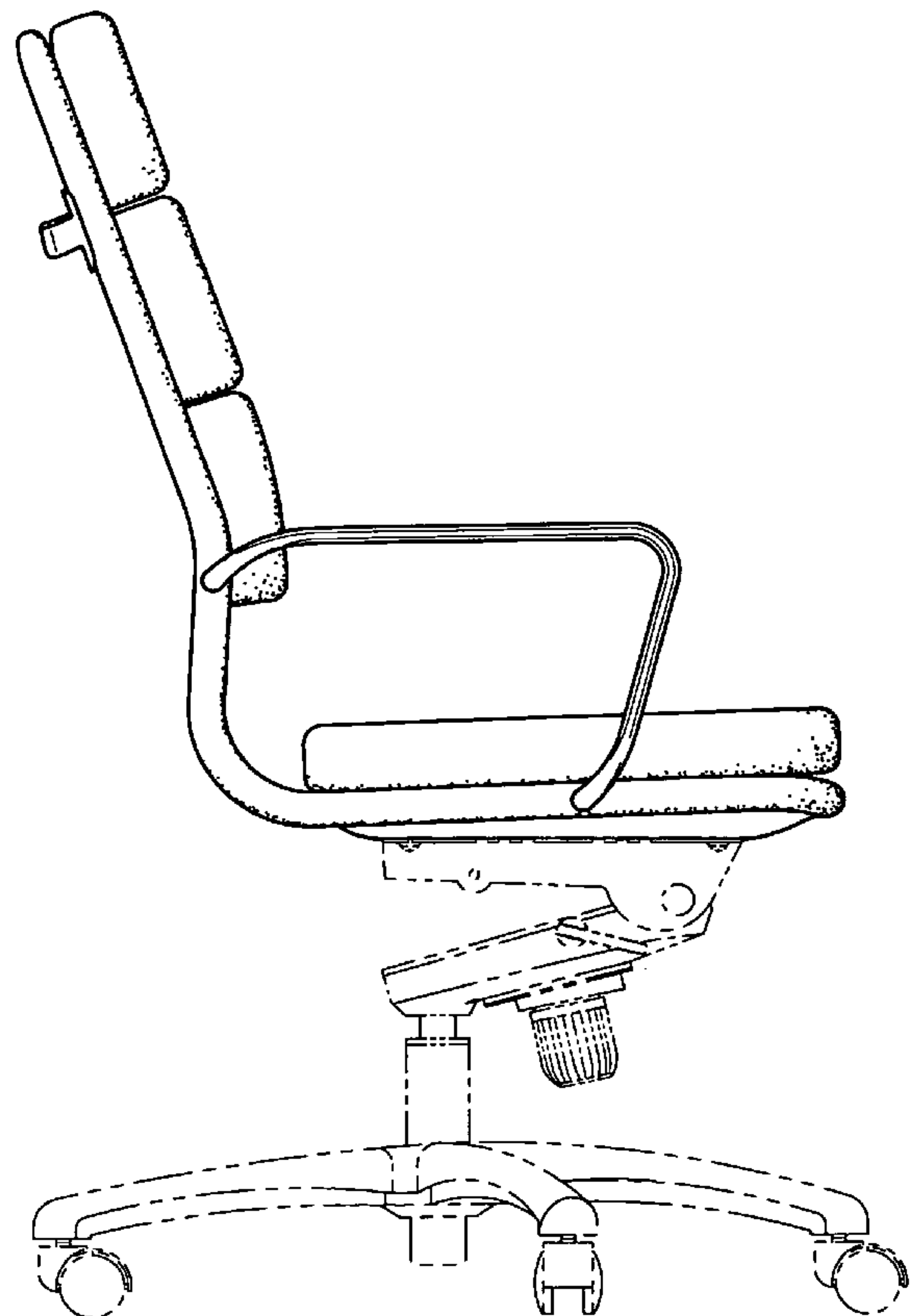
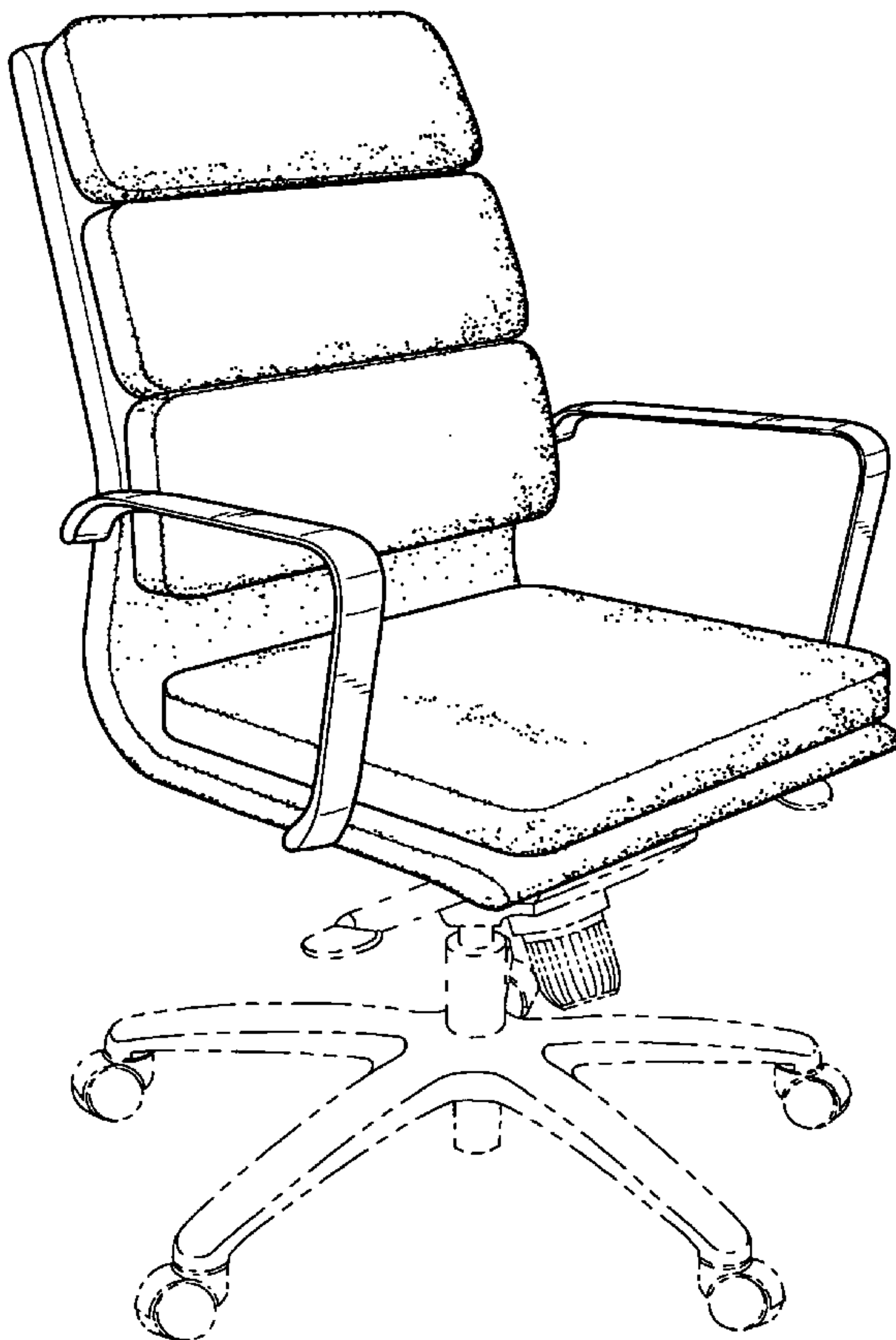
(57) **CLAIM**

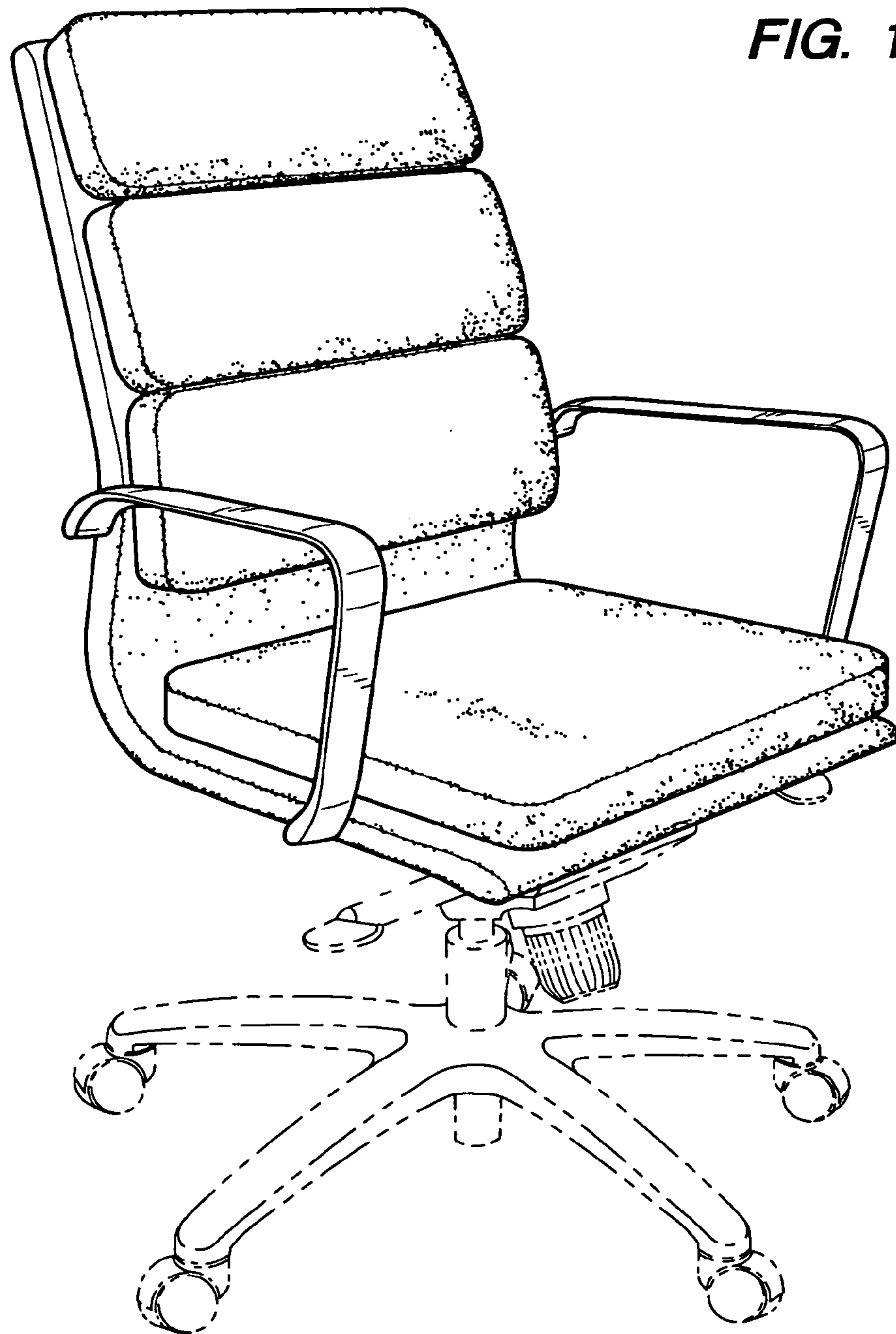
The ornamental design for a task chair, as shown and described.

**DESCRIPTION**

FIG. 1 is a perspective view of a task chair, looking toward the right front corner, showing my new design; FIG. 2 is a front view thereof; FIG. 3 is a back view thereof; FIG. 4 is a right side elevation view thereof; FIG. 5 is top view thereof; and, FIG. 6 is a bottom view thereof. The broken lines showing of the base of the chair are for illustrative purposes only and form no part of the claimed design.

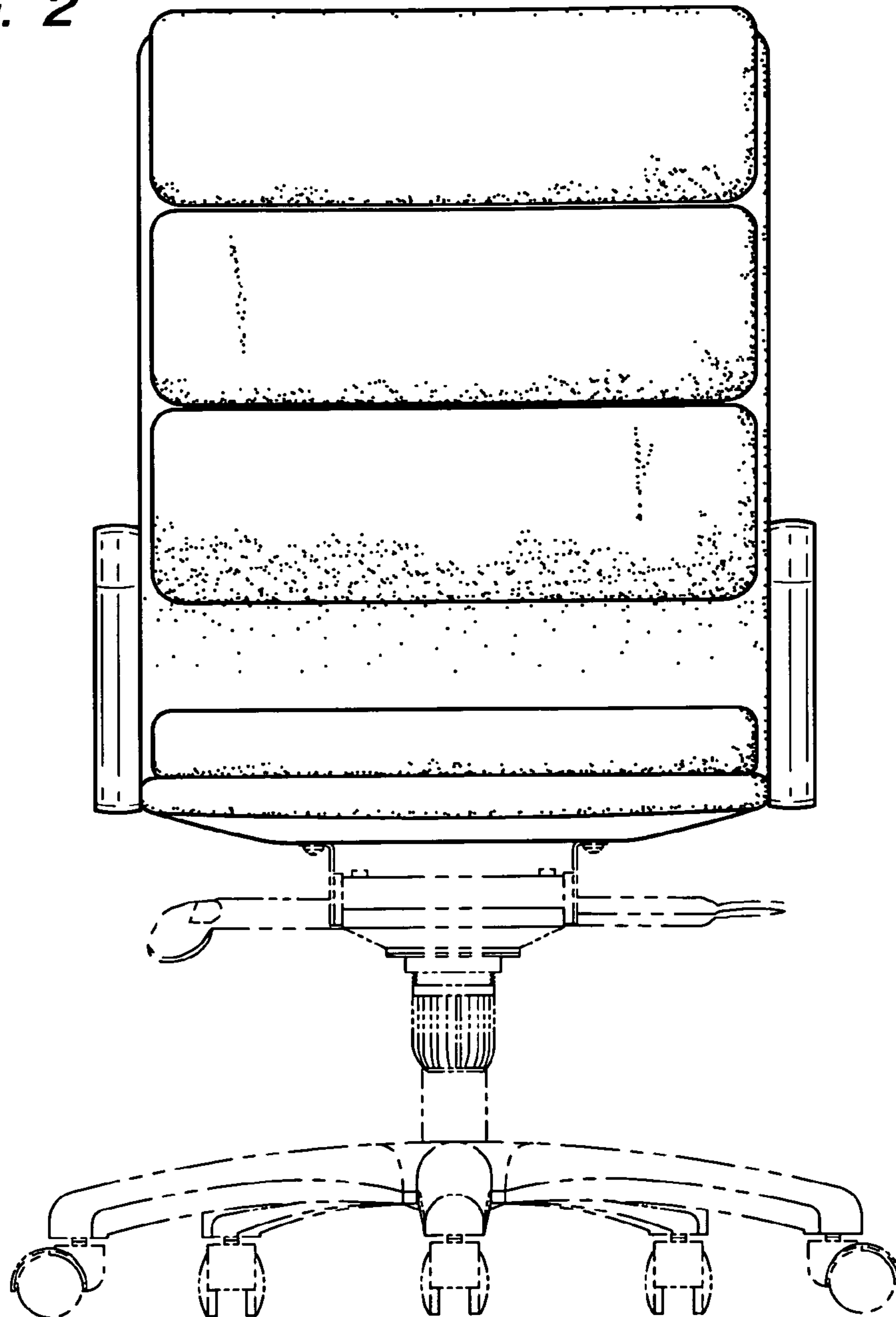
**1 Claim, 5 Drawing Sheets**



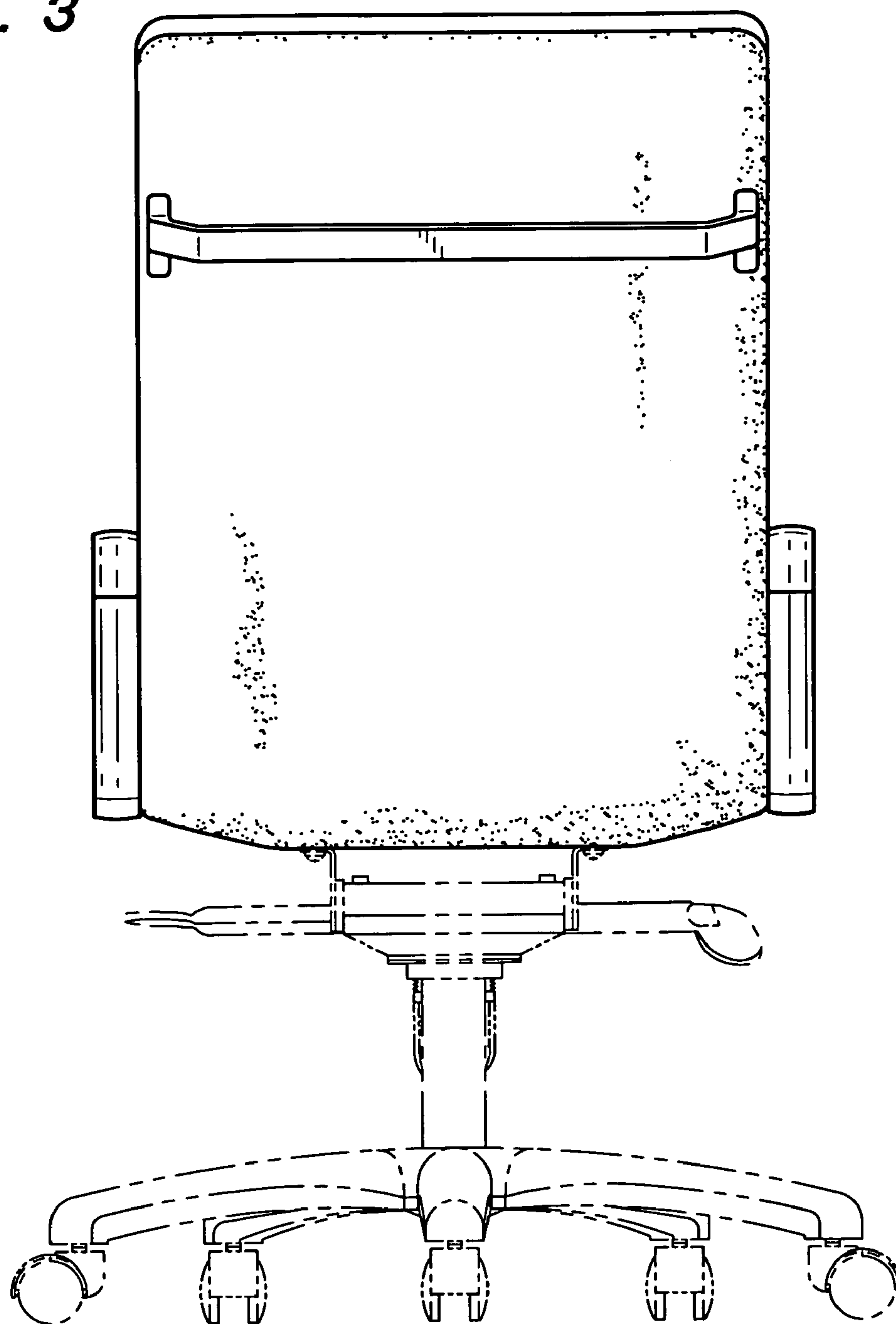


**FIG. 1**

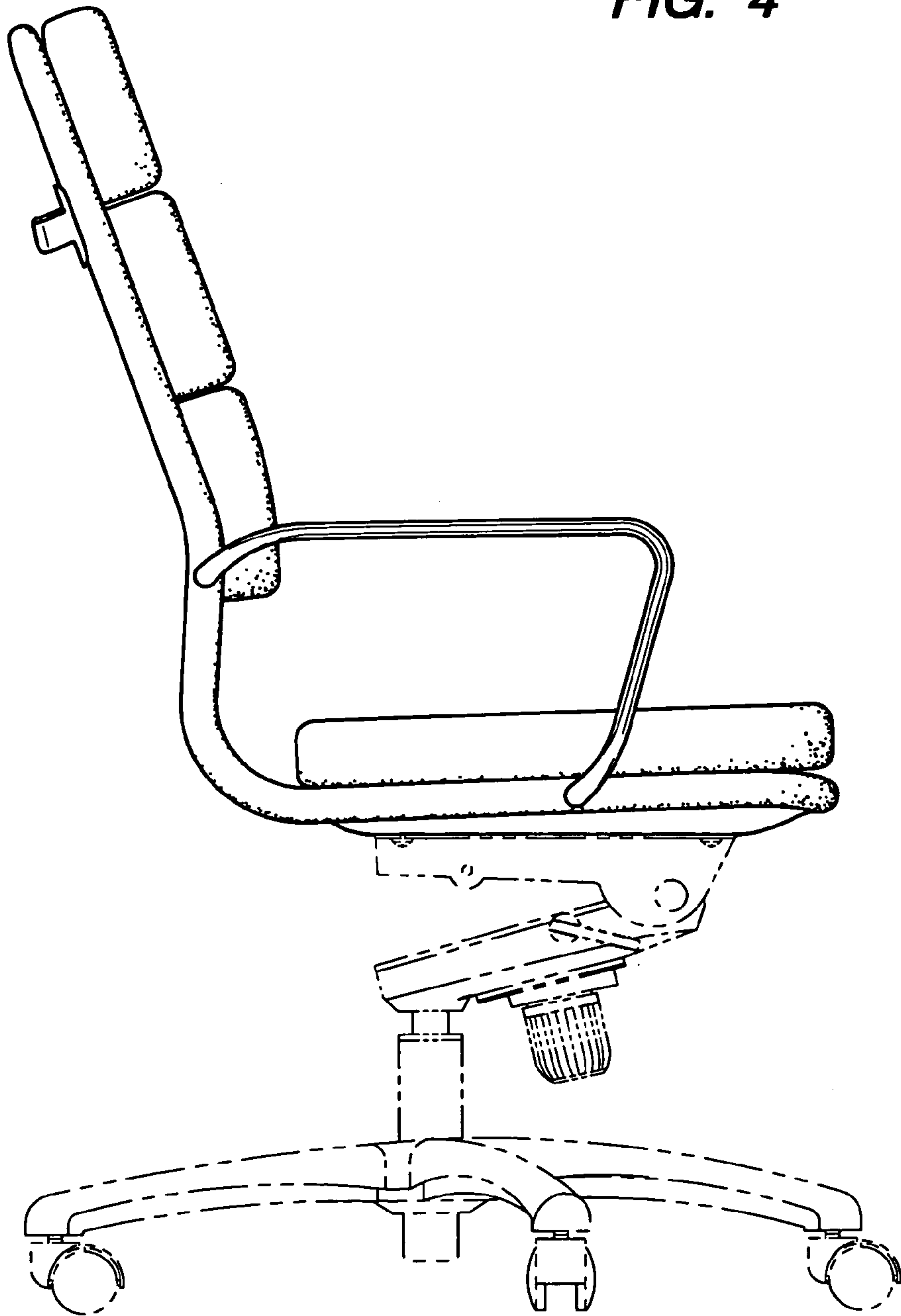
**FIG. 2**



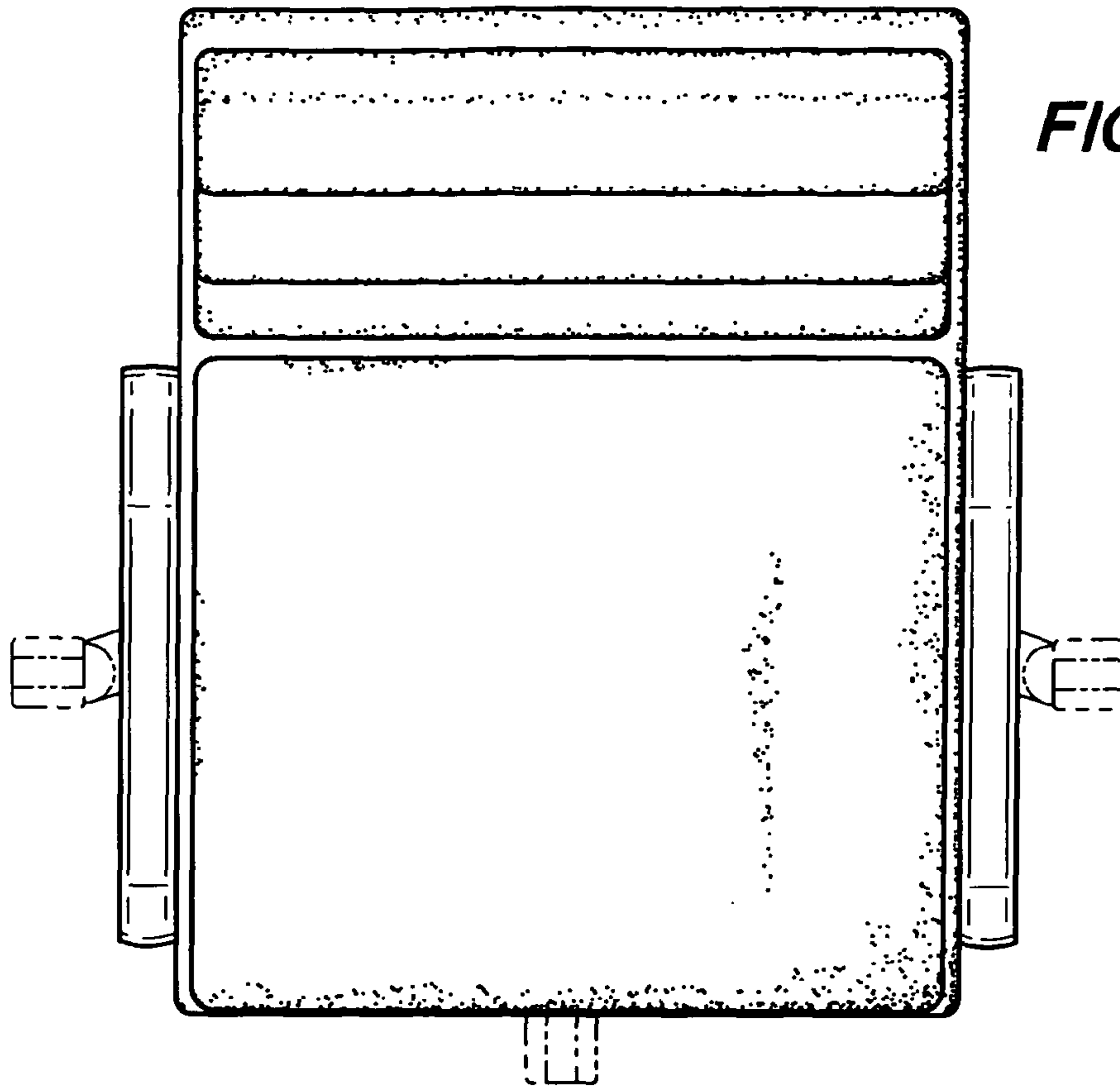
**FIG. 3**



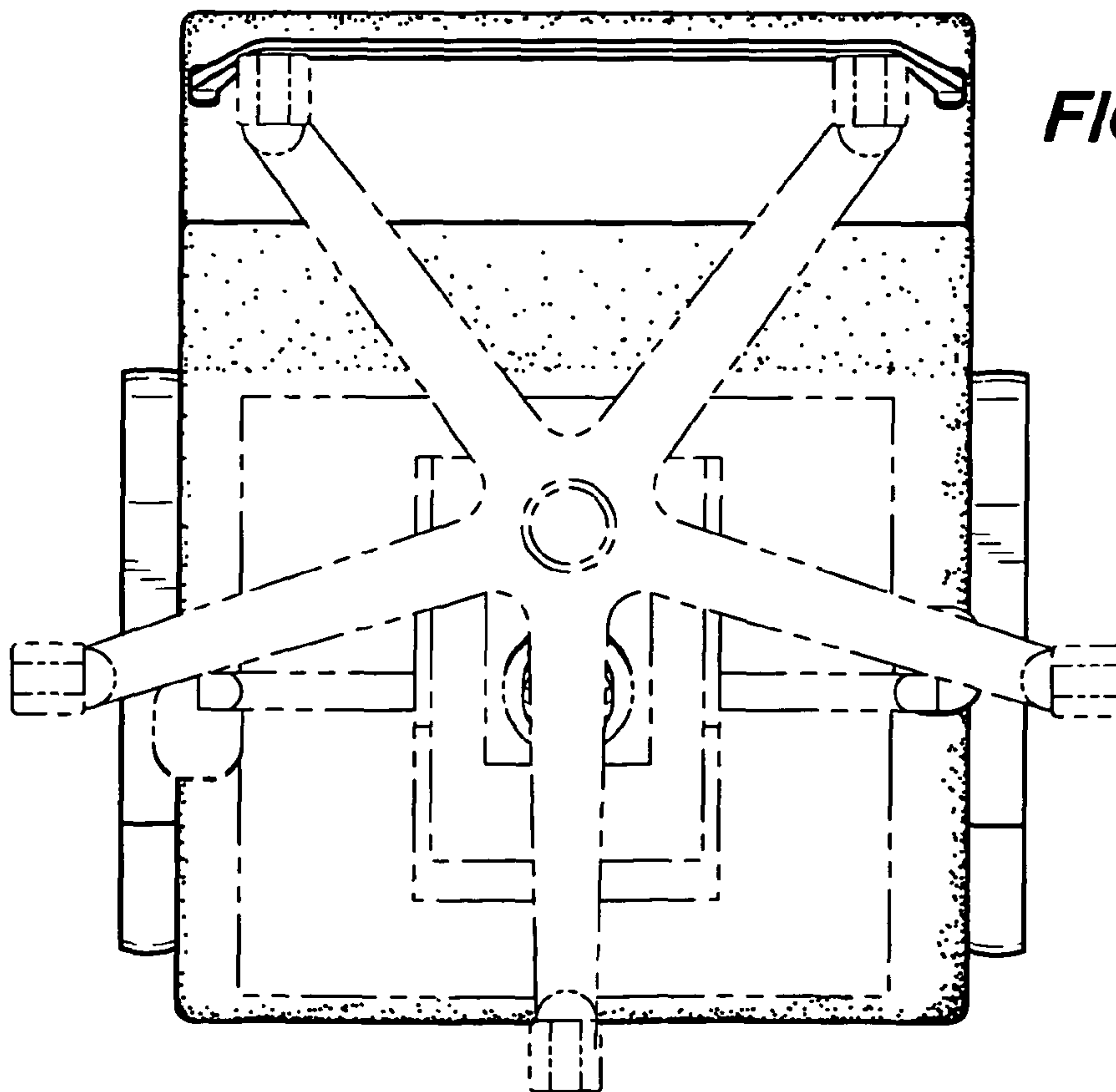
**FIG. 4**







**FIG. 5**



**FIG. 6**