



US00D65537S

(12) **United States Design Patent**
Ruiter et al.

(10) **Patent No.:** **US D655,537 S**
(45) **Date of Patent:** **** Mar. 13, 2012**

(54) **FURNITURE LEG ASSEMBLY**

Primary Examiner — Janice Seeger

(75) Inventors: **Joel Thomas Ruiter**, Grand Rapids, MI (US); **Alan Ernest Rheault**, Grand Rapids, MI (US)

(57) **CLAIM**

We claim the ornamental design for a furniture leg assembly, as shown and described.

(73) Assignee: **Steelcase Inc.**, Grand Rapids, MI (US)

DESCRIPTION

(**) Term: **14 Years**

(21) Appl. No.: **29/391,824**

(22) Filed: **May 13, 2011**

(51) **LOC (9) Cl.** **06-06**

(52) **U.S. Cl.** **D6/495**

(58) **Field of Classification Search** D6/480–489, D6/495–499, 491, 445, 446, 432, 436; 108/150, 108/153.1, 156, 157.1, 161; 248/188, 188.1, 248/188.7, 188.8; 312/108, 114; D25/60
See application file for complete search history.

FIG. 1 is a top perspective view of a furniture leg assembly, according to one embodiment;

FIG. 2 is a bottom perspective view of a furniture leg assembly of FIG. 1;

FIG. 3 is a front view of a furniture leg assembly of FIG. 1;

FIG. 4 is a rear view of a furniture leg assembly of FIG. 1;

FIG. 5 is a top view of a furniture leg assembly of FIG. 1;

FIG. 6 is a bottom view of a furniture leg assembly of FIG. 1;

FIG. 7 is a left side view of a furniture leg assembly of FIG. 1;

FIG. 8 is a right side view of a furniture leg assembly of FIG. 1;

FIG. 9 is a top perspective view of a furniture leg assembly, according to another embodiment;

FIG. 10 is a bottom perspective view of a furniture leg assembly of FIG. 9;

FIG. 11 is a front view of a furniture leg assembly of FIG. 9;

FIG. 12 is a rear view of a furniture leg assembly of FIG. 9;

FIG. 13 is a top view of a furniture leg assembly of FIG. 9;

FIG. 14 is a bottom view of a furniture leg assembly of FIG. 9;

FIG. 15 is a left side view of a furniture leg assembly of FIG. 9; and,

FIG. 16 is a right side view of a furniture leg assembly of FIG. 9.

The dashed lines and broken lines are for purposes of illustrating environmental structure and form no part of the claimed design.

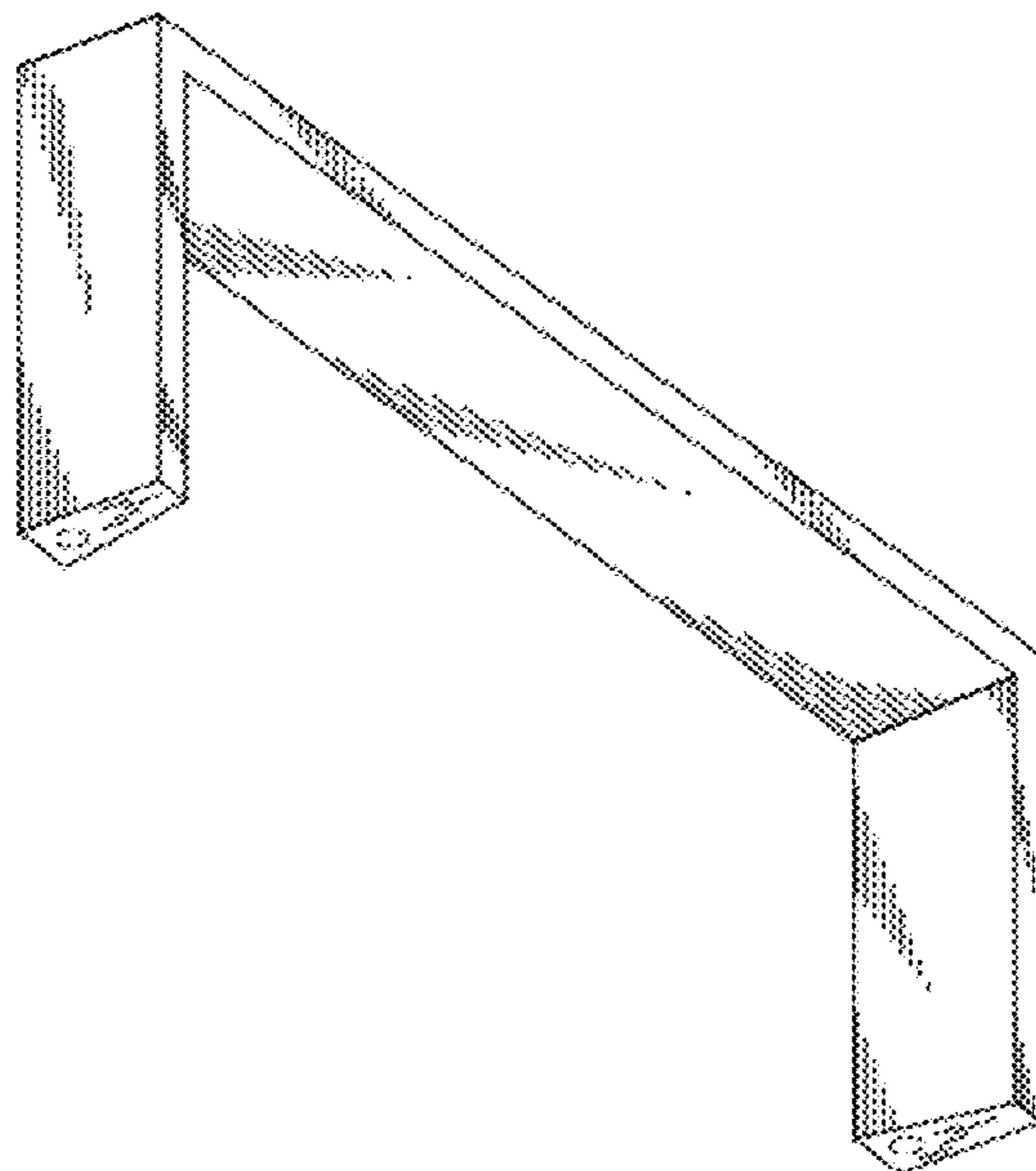
(56) **References Cited**

U.S. PATENT DOCUMENTS

| | | | | |
|-----------|---|----------|--------------|--------|
| 1,738,429 | A | 12/1929 | Heyman | |
| D216,715 | S | * 3/1970 | Dottinger | D6/495 |
| D244,328 | S | 5/1977 | Heumann | |
| D246,142 | S | 10/1977 | Heumann | |
| D246,216 | S | 11/1977 | Heumann | |
| D278,584 | S | 4/1985 | Bromley | |
| D297,990 | S | 10/1988 | Kelley | |
| D307,685 | S | 5/1990 | Kelley | |
| D330,132 | S | 10/1992 | Shields | |
| D345,476 | S | 3/1994 | Burdick | |
| D347,533 | S | * 6/1994 | Lambert | D6/491 |
| D363,823 | S | 11/1995 | Ricchio, Jr. | |
| D372,596 | S | 8/1996 | Reinhard | |
| D373,257 | S | 9/1996 | Hutton | |
| D379,269 | S | 5/1997 | Hutton | |

(Continued)

1 Claim, 6 Drawing Sheets



US D655,537 S

Page 2

U.S. PATENT DOCUMENTS

| | | | | |
|---------------|---------|---------------------|---------|--|
| D385,712 S | 11/1997 | Rottet | | |
| D393,967 S | 5/1998 | Grosfillex | | |
| D407,245 S | 3/1999 | Lewis | | |
| D409,408 S | 5/1999 | James | | |
| D417,970 S | 12/1999 | Duffy | | |
| 6,017,092 A * | 1/2000 | Lee | 248/188 | |
| D431,117 S | 9/2000 | Hutton | | |
| D436,751 S | 1/2001 | Schacht | | |
| D437,138 S | 2/2001 | Ricchio, Jr. | | |
| D448,216 S | 9/2001 | Kolberg | | |
| D453,083 S | 1/2002 | Hokanson | | |
| D465,341 S | 11/2002 | Hutton | | |
| D465,670 S | 11/2002 | Bell | | |
| D509,370 S | 9/2005 | Natuzzi | | |
| D516,832 S | 3/2006 | Schweikarth | | |
| D567,551 S * | 4/2008 | Verbeek et al. | D6/495 | |
| D569,664 S | 5/2008 | Schweikarth | | |
| D571,119 S | 6/2008 | Leonetti | | |
| D578,321 S * | 10/2008 | Laflamme | D6/484 | |
| D581,706 S | 12/2008 | Calatrava Valls | | |
| D590,185 S | 4/2009 | Karashima | | |
| D593,342 S * | 6/2009 | Pesso | D6/495 | |

* cited by examiner

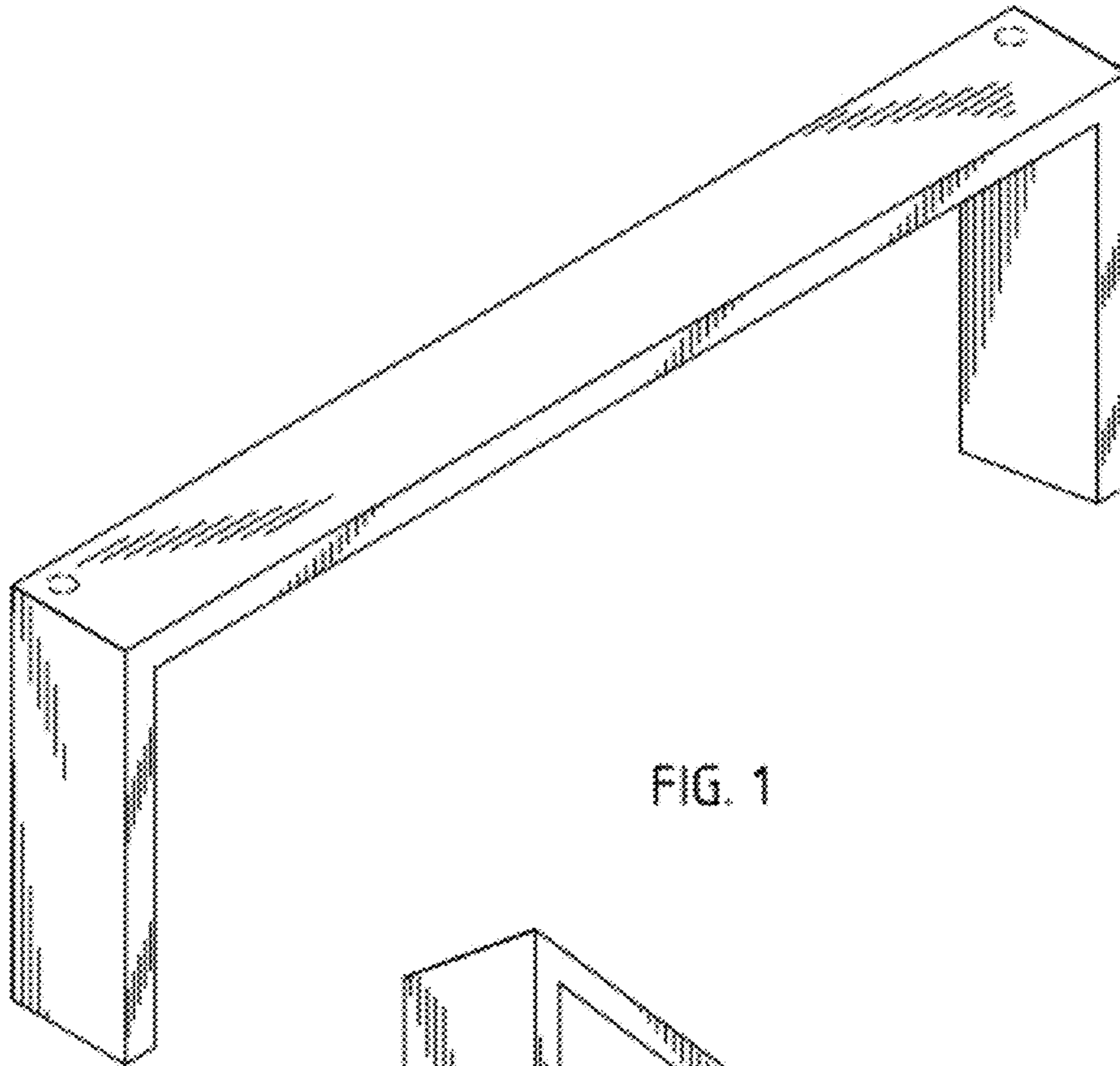


FIG. 1

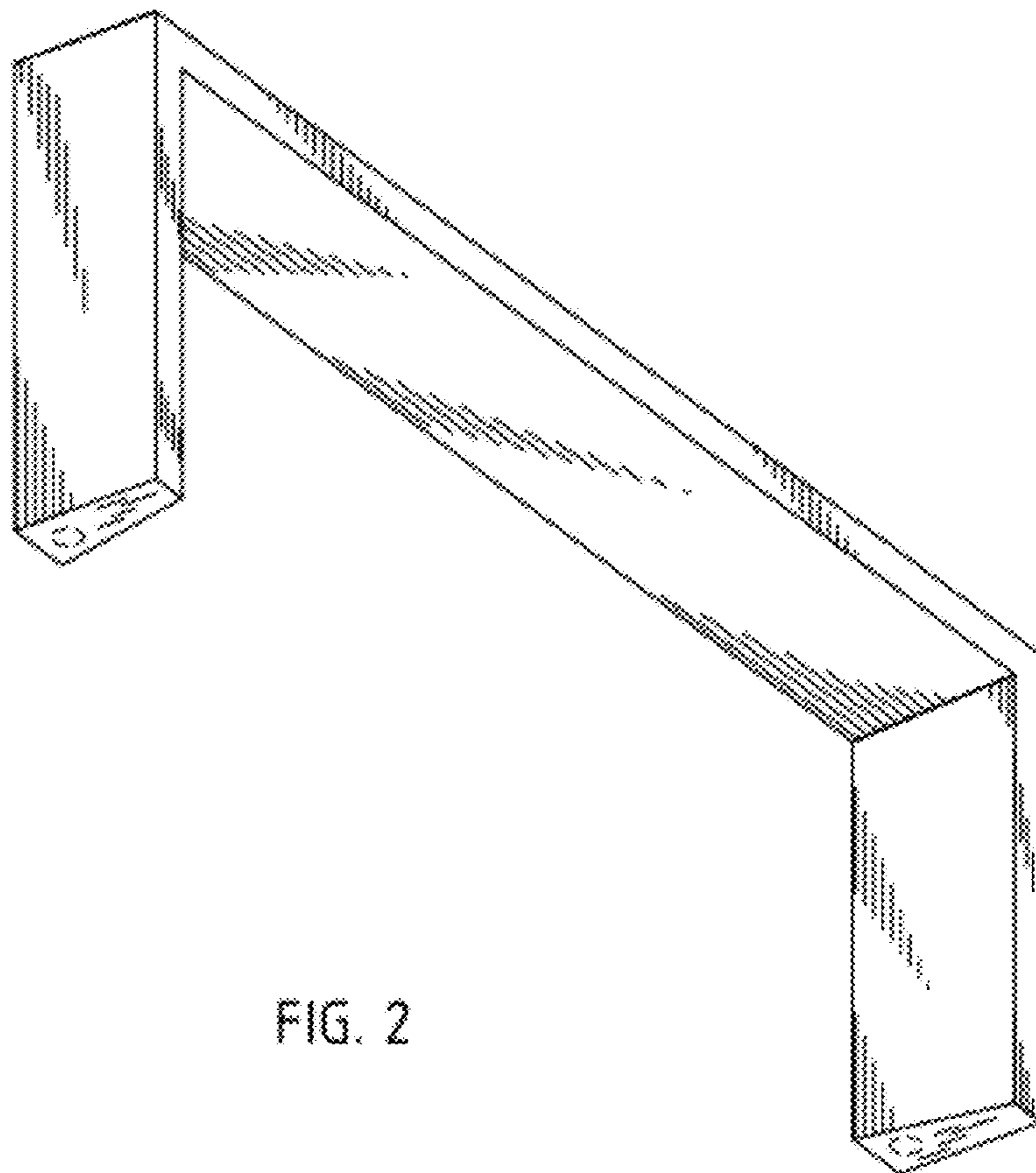


FIG. 2

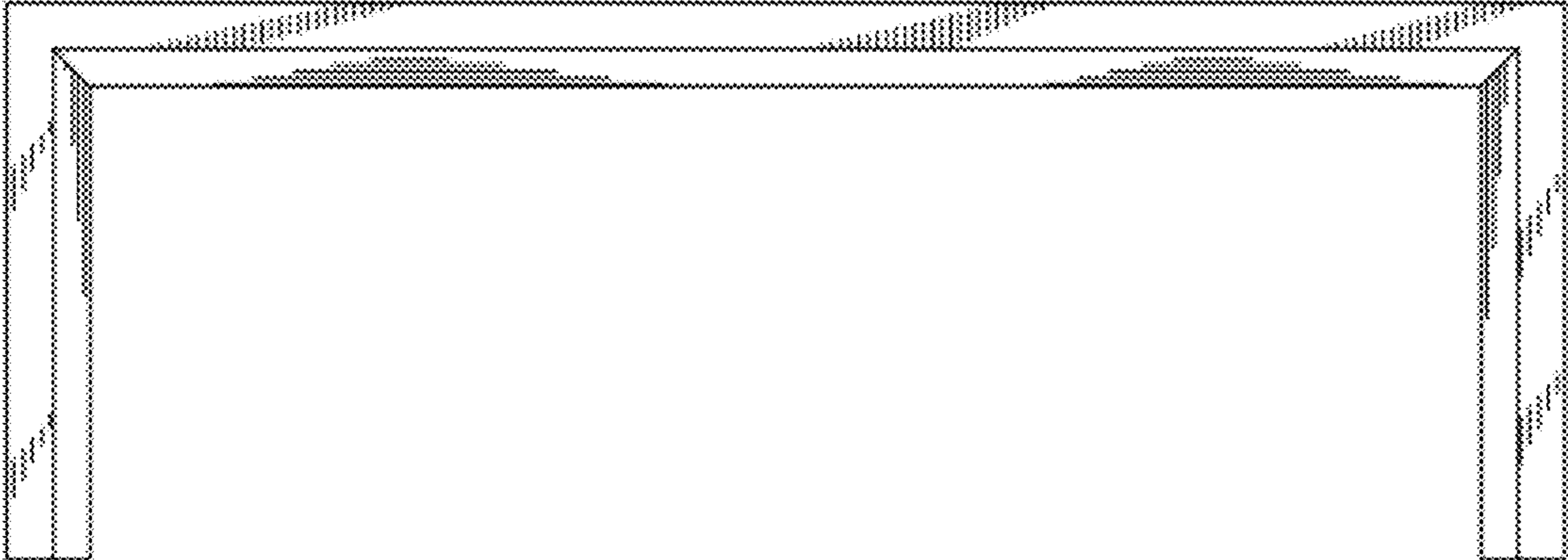


FIG. 3

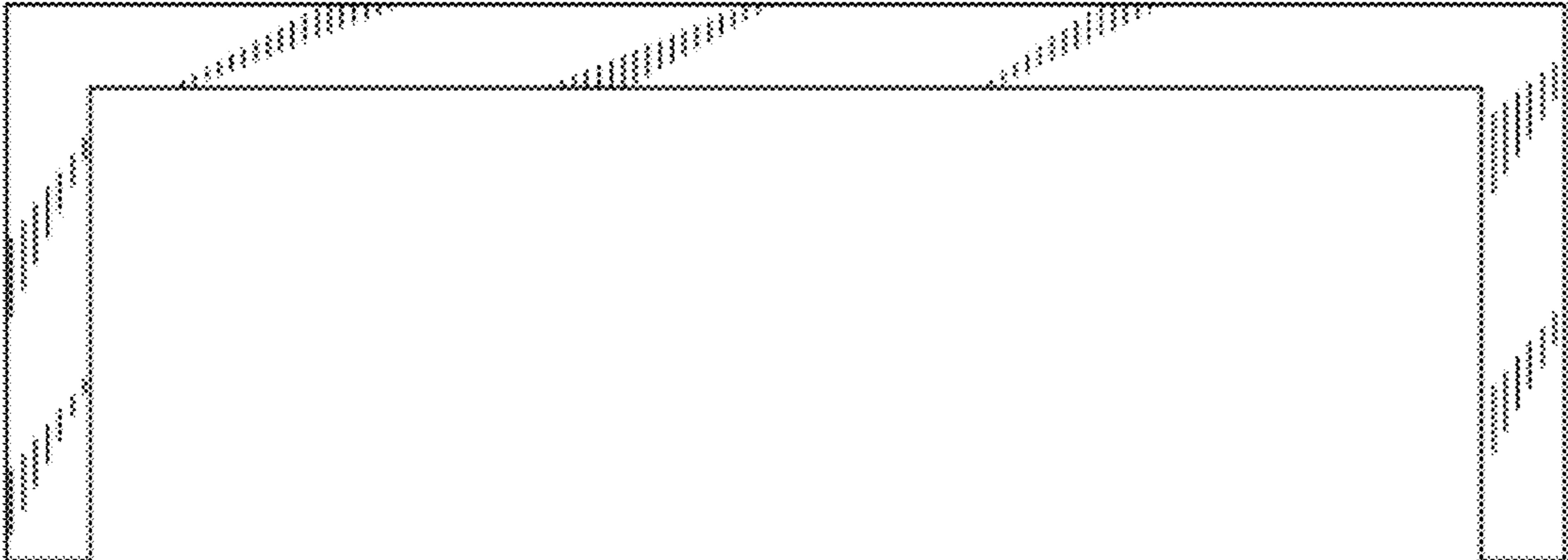


FIG. 4



FIG. 5

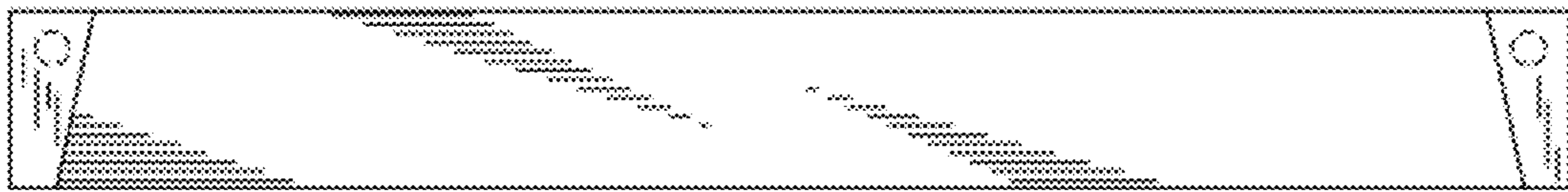


FIG. 6

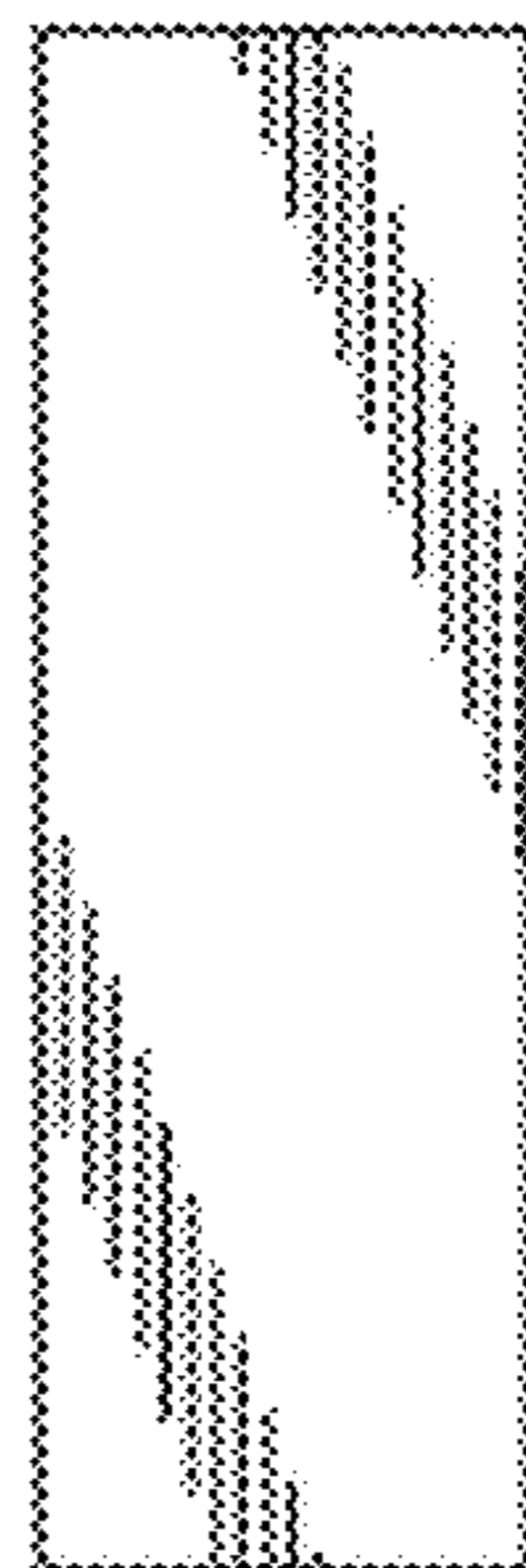


FIG. 7



FIG. 8

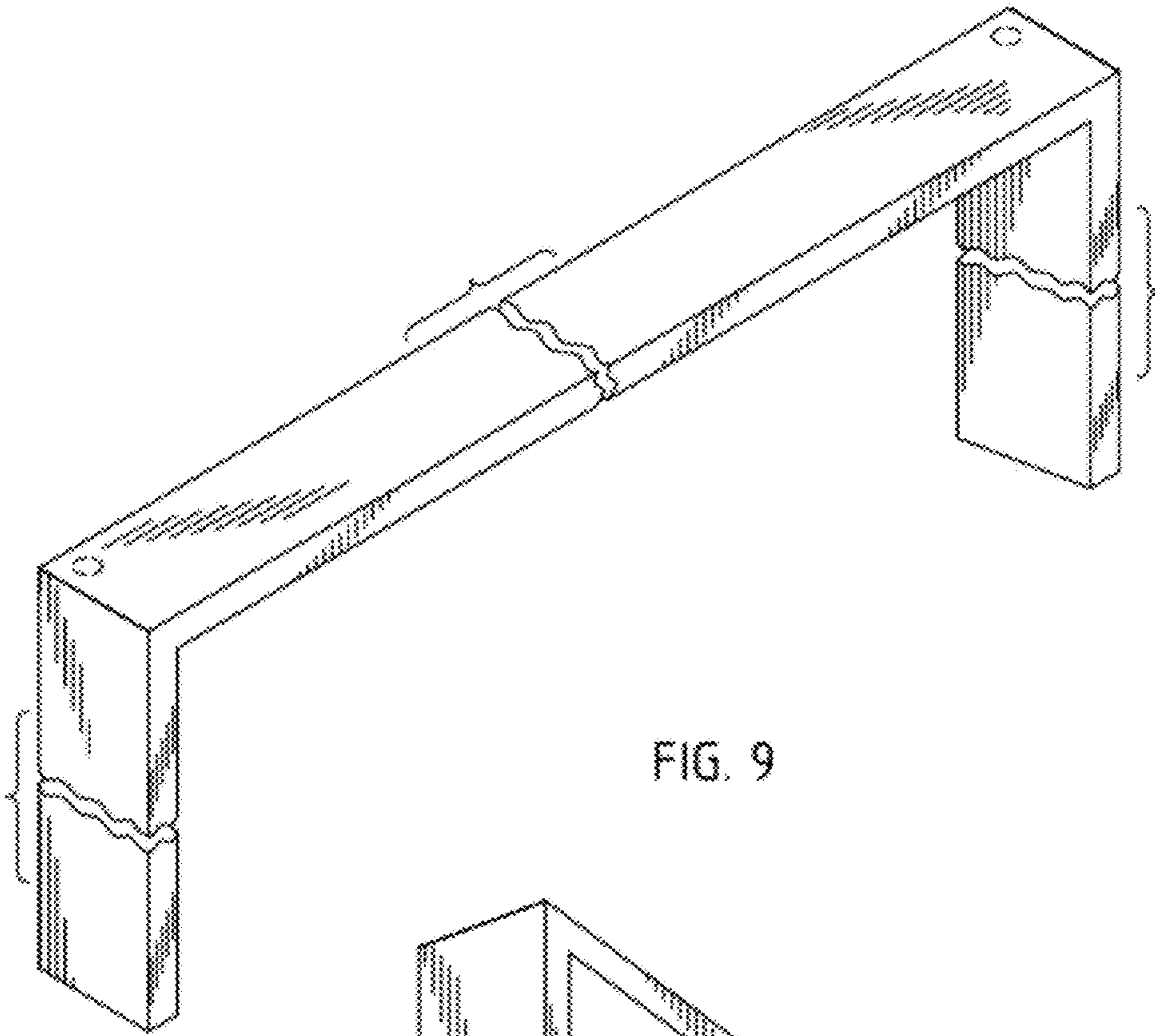


FIG. 9

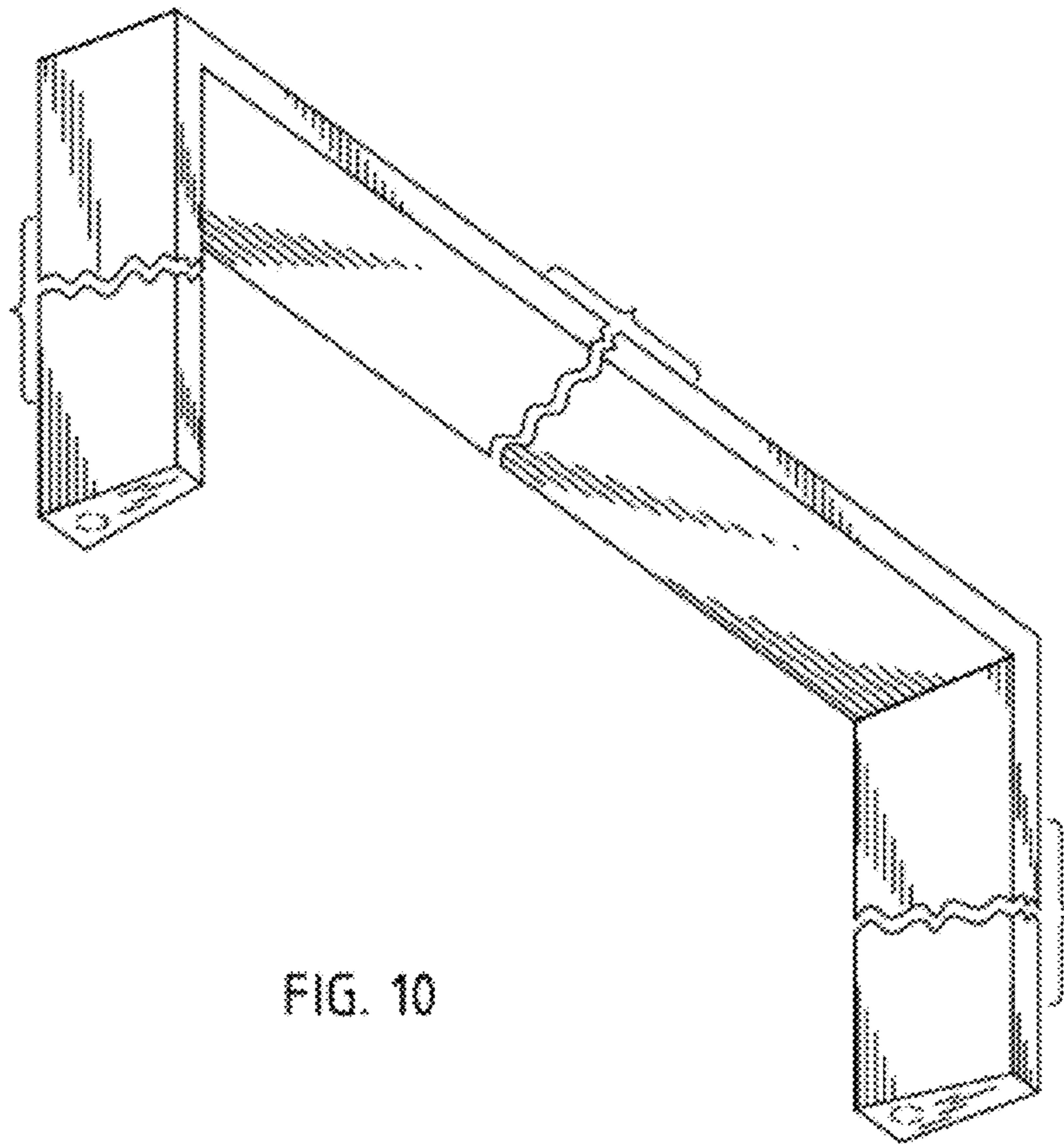


FIG. 10

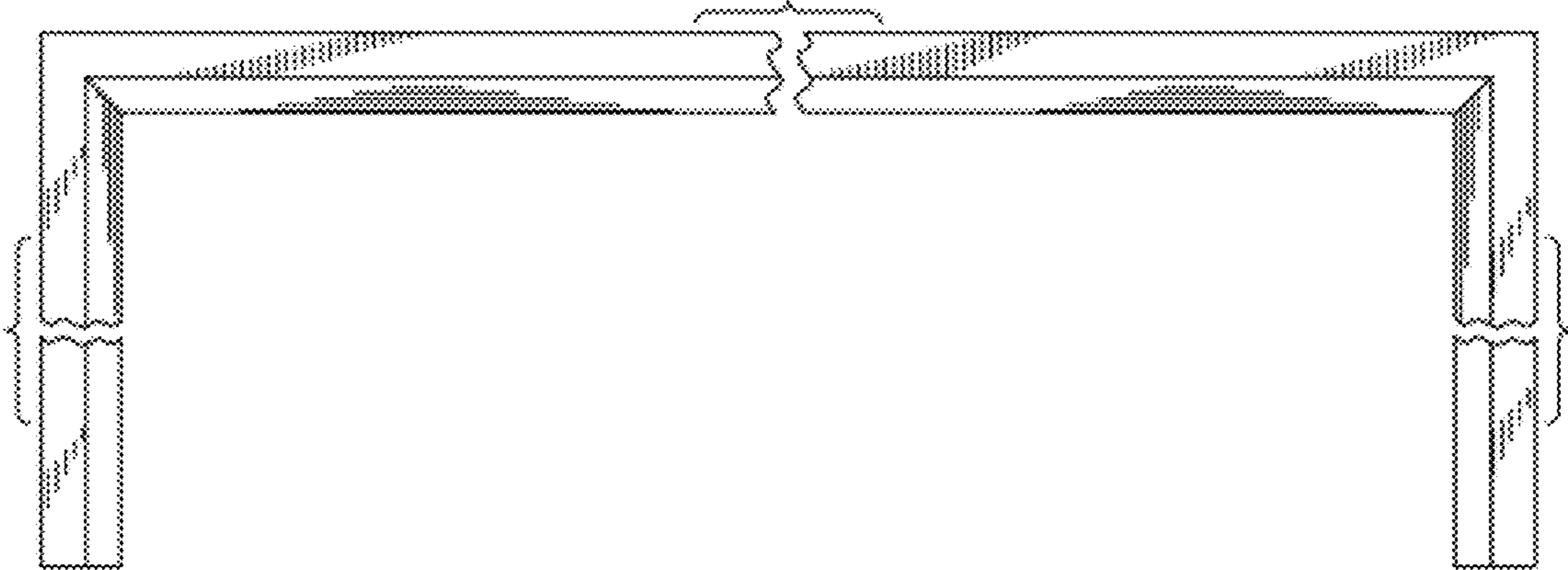


FIG. 11

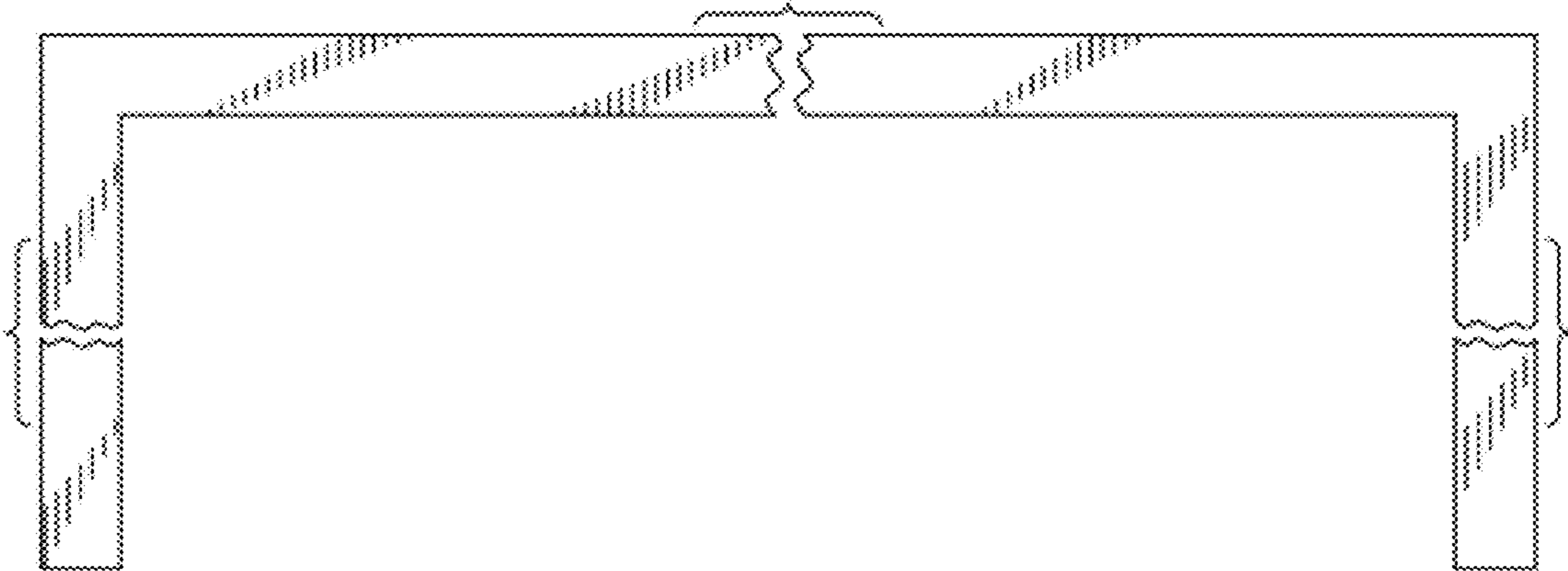


FIG. 12

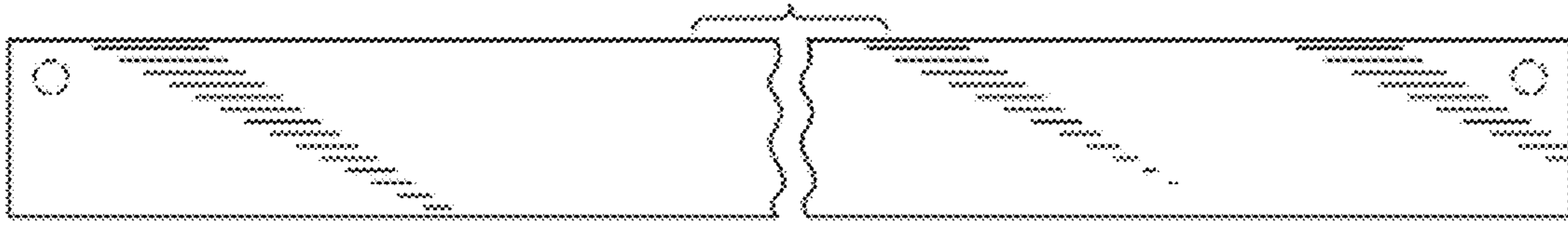


FIG. 13

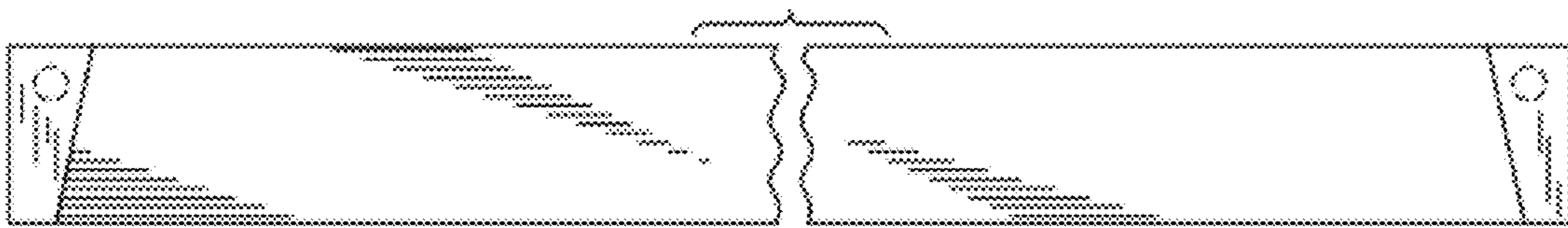


FIG. 14

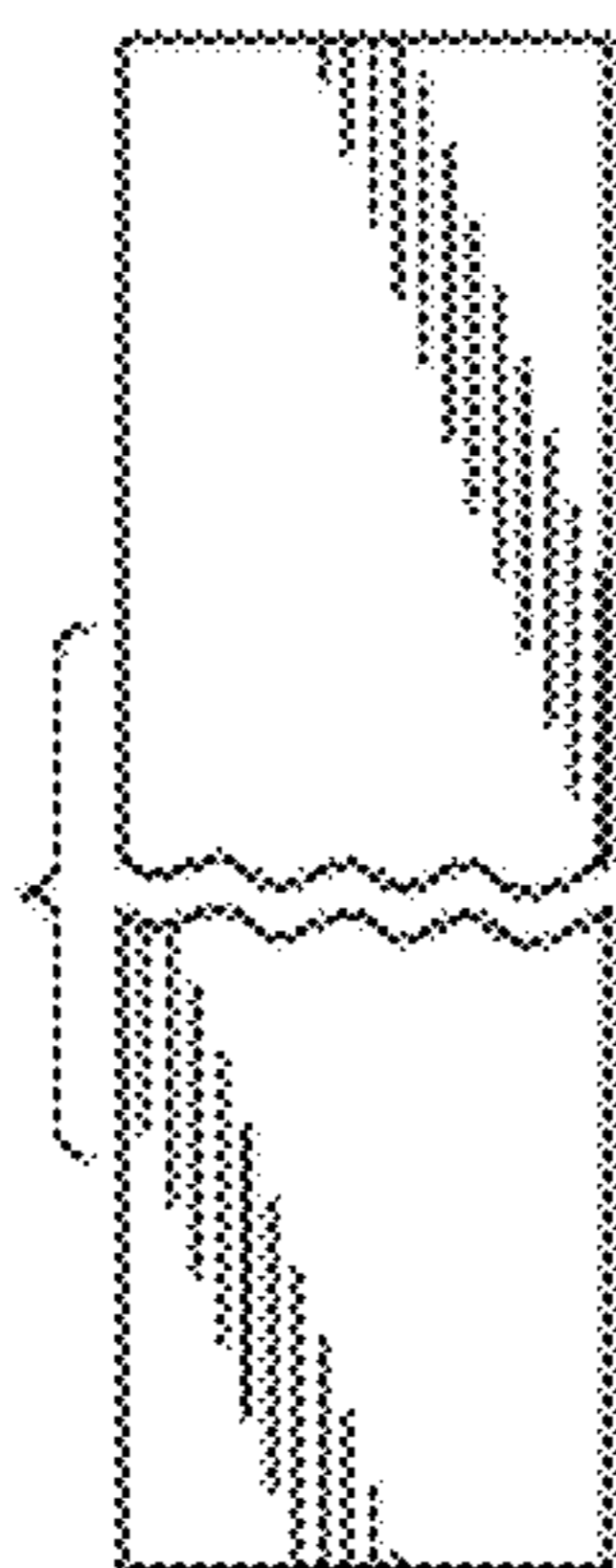


FIG. 15

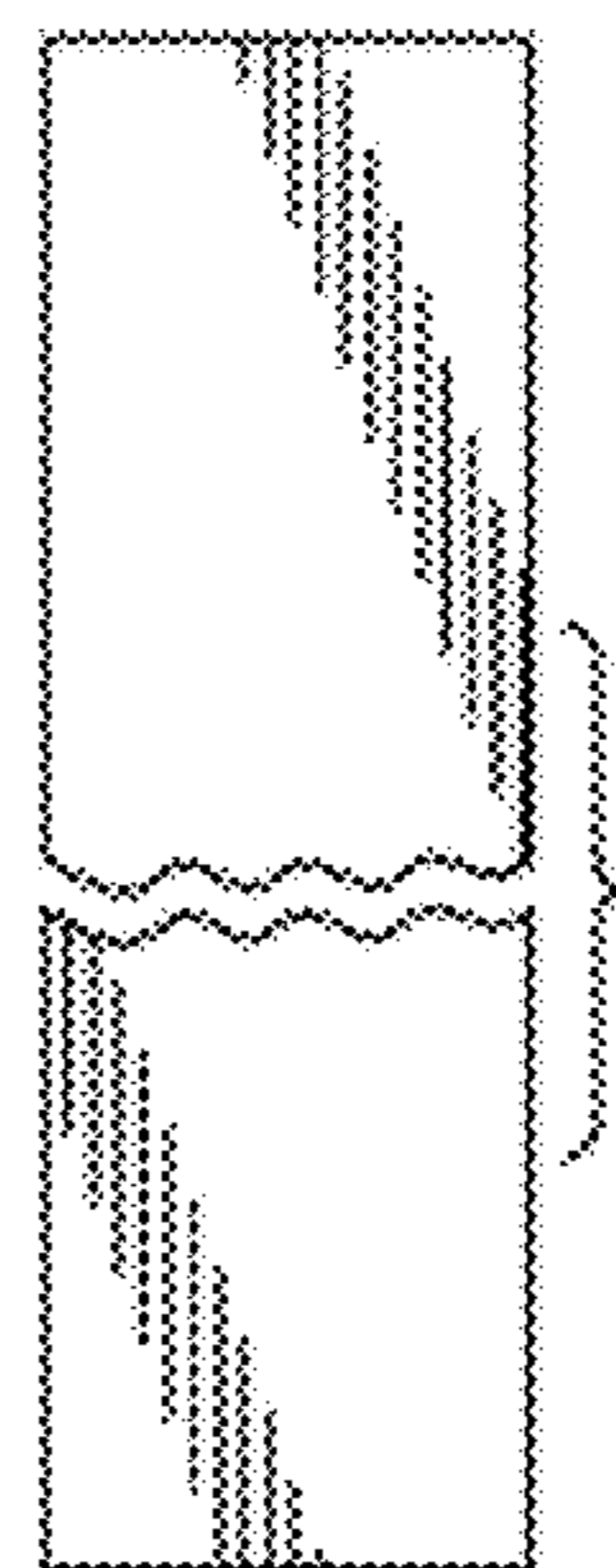


FIG. 16