



US00D655536S

(12) **United States Design Patent**
Ruiz

(10) **Patent No.:** **US D655,536 S**

(45) **Date of Patent:** **** Mar. 13, 2012**

(54) **TABLE**

(76) Inventor: **Peter R. Ruiz**, Chicago, IL (US)

(**) Term: **14 Years**

(21) Appl. No.: **29/391,626**

(22) Filed: **May 11, 2011**

(51) **LOC (9) Cl.** **06-06**

(52) **U.S. Cl.** **D6/491**

(58) **Field of Classification Search** D6/480-489,
D6/495-499, 429, 511, 434, 445, 451, 452,
D6/492, 491; 108/150, 153.1, 156, 157.1,
108/161; 248/188, 188.1, 188.7, 188.8
See application file for complete search history.

(56) **References Cited**

U.S. PATENT DOCUMENTS

D73,595 S * 10/1927 Bach D6/483
D168,443 S * 12/1952 Gershun D6/446

D565,867 S * 4/2008 Domack et al. D6/480

* cited by examiner

Primary Examiner — Janice Seeger

(57) **CLAIM**

The ornamental design for a table, as shown and described.

DESCRIPTION

FIG. 1 is a perspective view of a table according to an embodiment of the present invention;
FIG. 2 is a side elevational view thereof. The view from the opposite side being a mirror image thereof;
FIG. 3 is a top plan view thereof;
FIG. 4 is a front view thereof. The view from the opposite side being a mirror image thereof; and,
FIG. 5 is a bottom plan view thereof.

1 Claim, 2 Drawing Sheets

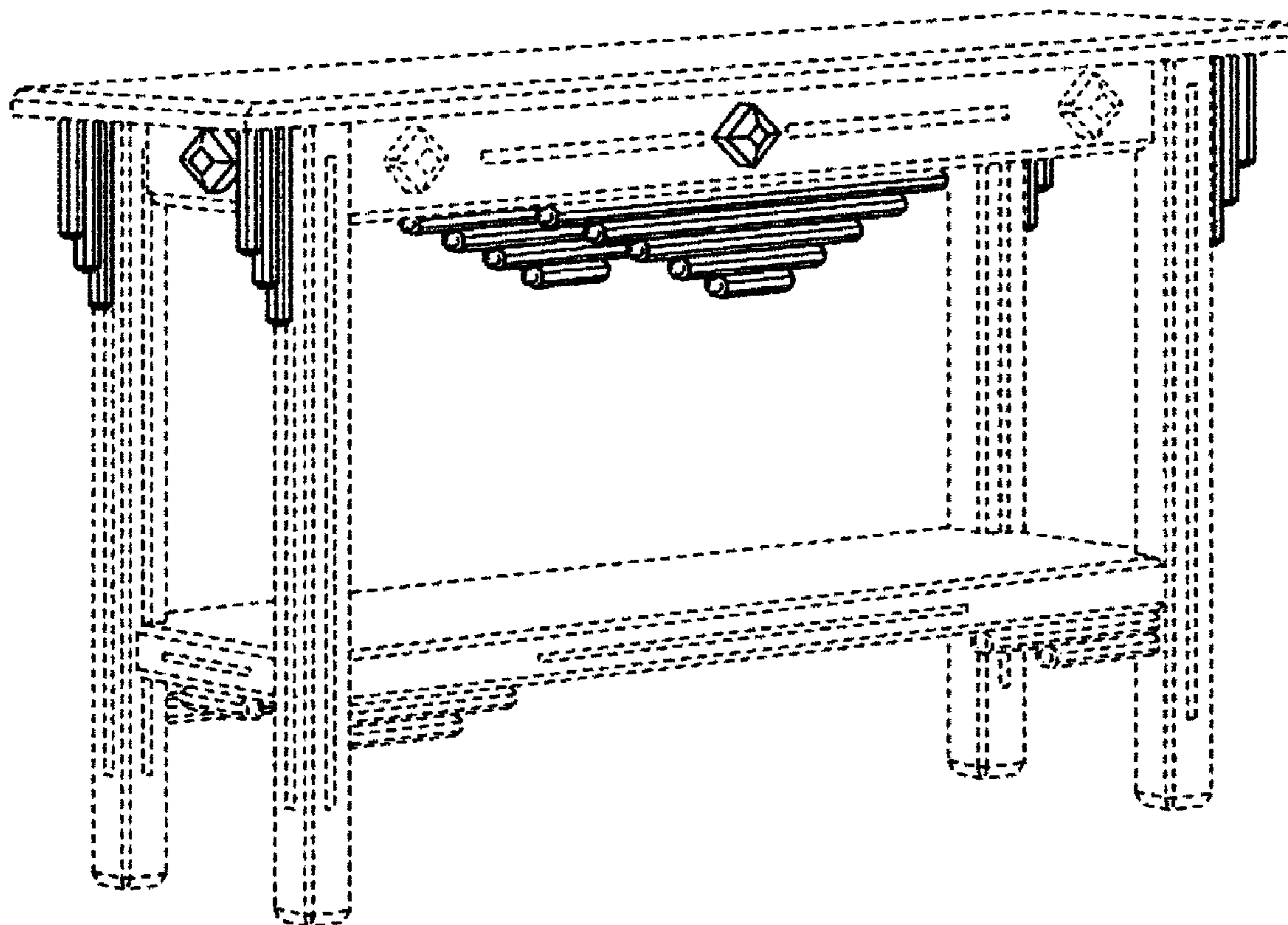


Fig. 1

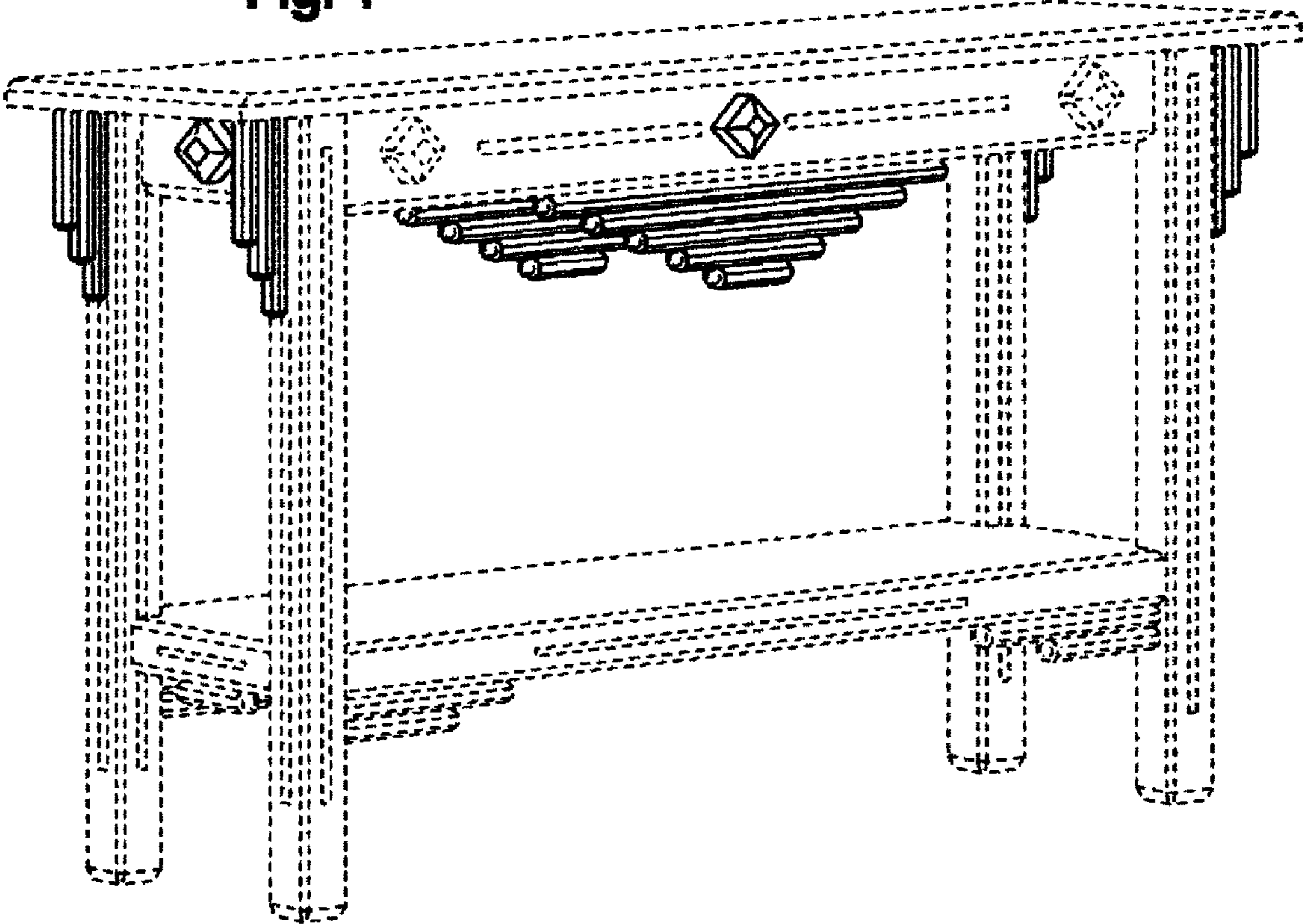


Fig. 2

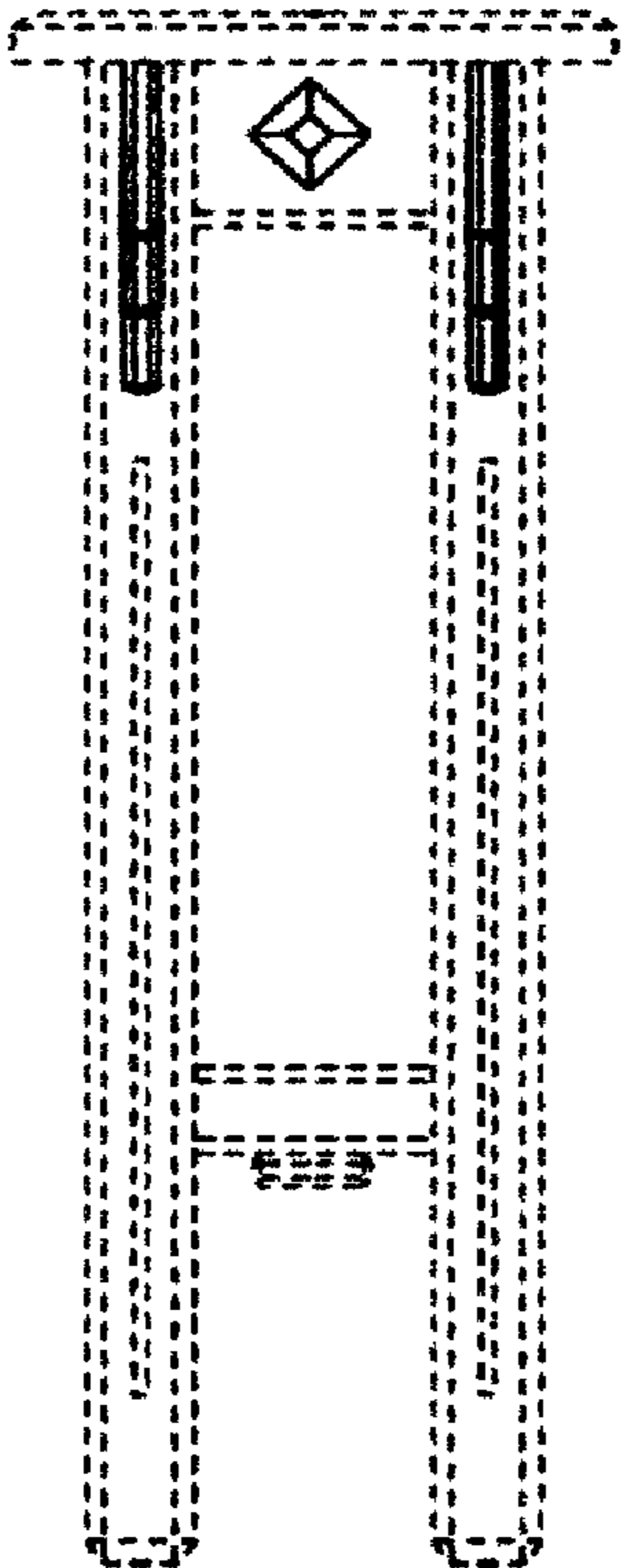


Fig. 3



Fig. 4

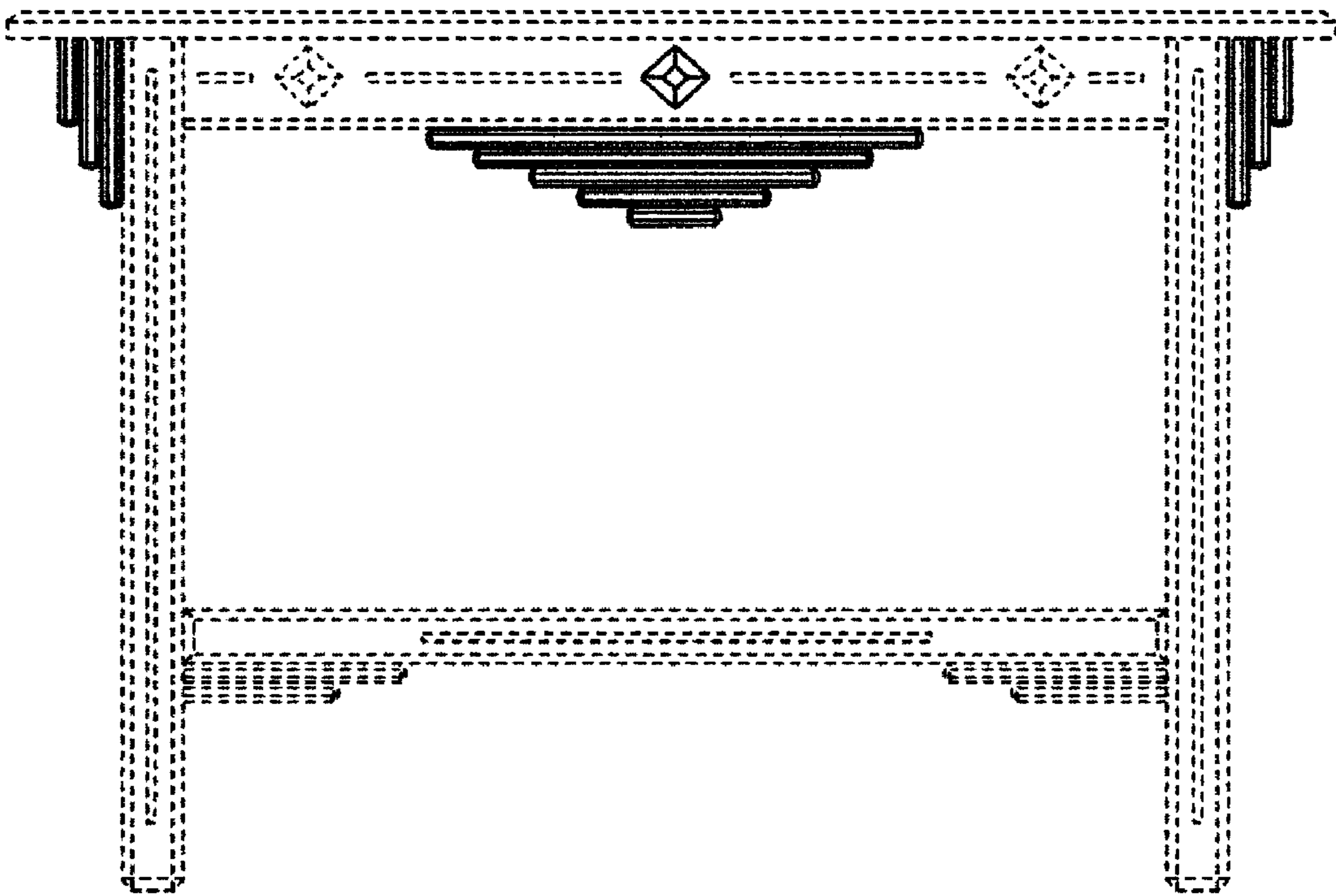


Fig. 5

