



US00D655534S

(12) **United States Design Patent**
Hudson

(10) **Patent No.:** **US D655,534 S**

(45) **Date of Patent:** **** Mar. 13, 2012**

(54) **BENCH**

(75) **Inventor:** **Andrew Michael Hudson**, Springfield,
VA (US)

(73) **Assignee:** **Andrew M. Hudson**, Springfield, VA
(US)

(**) **Term:** **14 Years**

(21) **Appl. No.:** **29/371,194**

(22) **Filed:** **Nov. 19, 2010**

(51) **LOC (9) Cl.** **06-01**

(52) **U.S. Cl.** **D6/470**

(58) **Field of Classification Search** D6/334–338,
D6/360–370, 372–380, 498, 500–502, 601;
297/124, 284.4–284.5, 291, 297, 411.2, 411.27–411.29,
297/451.1, 452.13, 452.19, 452.21, 452.29,
297/452.3, 452.56, 452.64

See application file for complete search history.

(56) **References Cited**

U.S. PATENT DOCUMENTS

D51,553 S * 12/1917 Haase D6/370
D67,030 S * 4/1925 Haase D6/370

D127,713 S * 6/1941 Haase D6/370
2,922,463 A * 1/1960 Johnston 297/124
D225,194 S * 11/1972 Ruth D6/370
D237,434 S * 11/1975 May, Jr. D6/370
D296,961 S * 8/1988 Norton D6/370
D299,595 S * 1/1989 Shields D6/335
D313,128 S * 12/1990 Serafini D6/338
D336,796 S * 6/1993 Chang D6/370
D435,736 S * 1/2001 Chrisco et al. D6/336
D439,422 S * 3/2001 Hecht et al. D6/336
D451,296 S * 12/2001 Stewart D6/370

* cited by examiner

Primary Examiner — Ricky Pham

(57) **CLAIM**

I claim the ornamental design for a bench, as shown.

DESCRIPTION

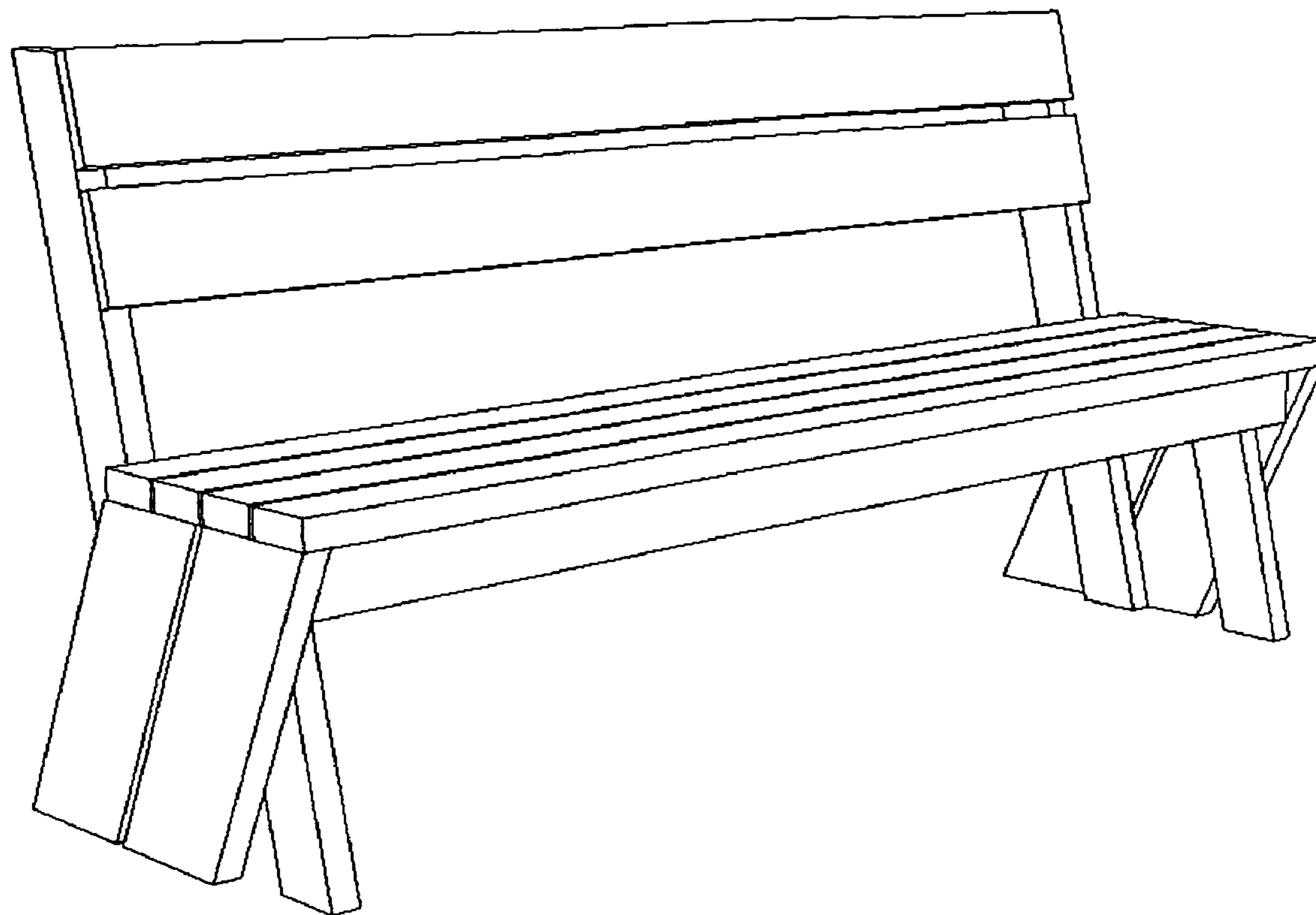
FIG. 1 is a front elevation view of the bench showing my new design;

FIG. 2 is a side elevation view thereof;

FIG. 3 is an enlarged top down perspective view thereof; and,

FIG. 4 is an enlarged bottom up perspective view thereof.

1 Claim, 4 Drawing Sheets



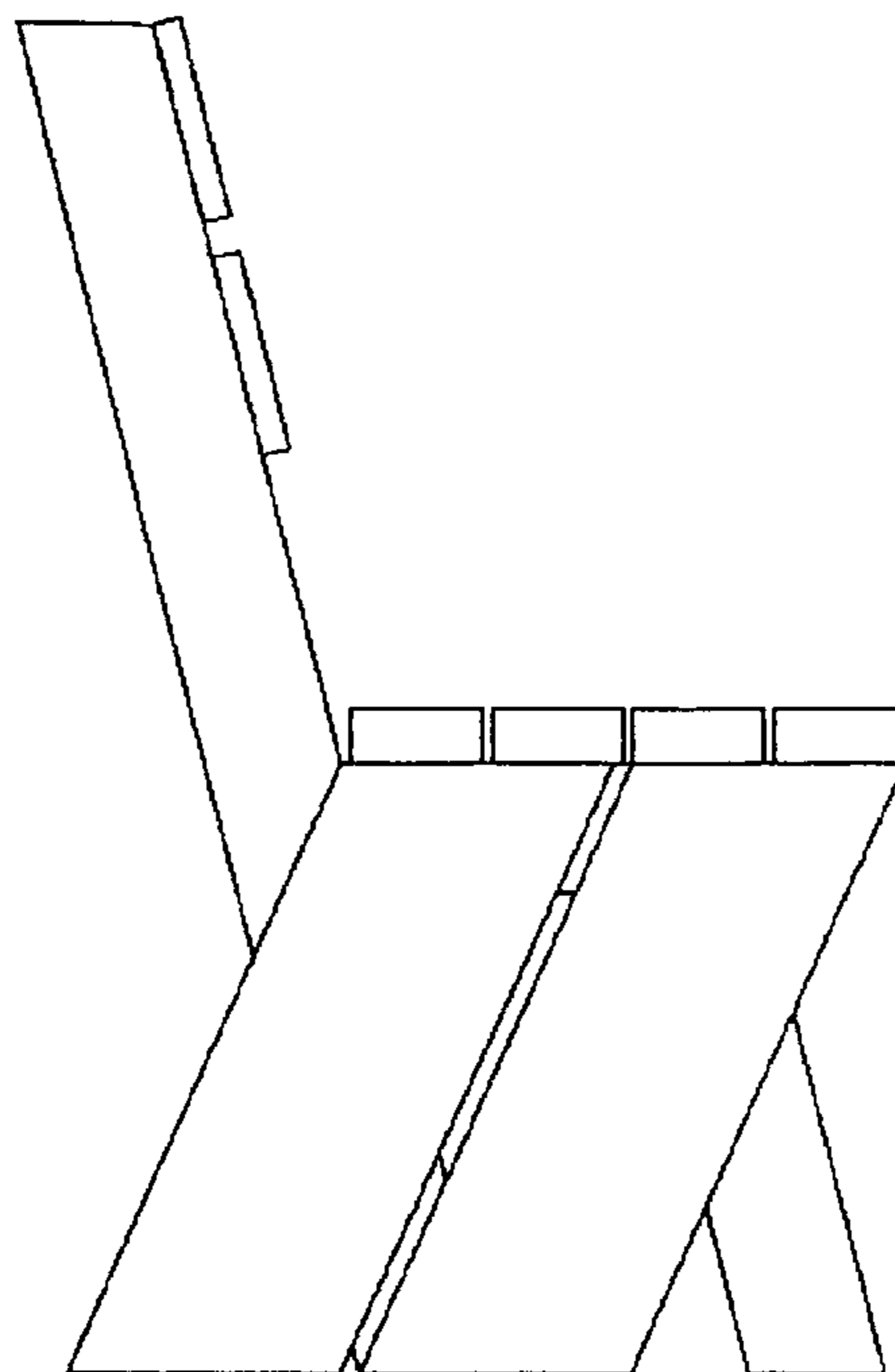


Fig. 1

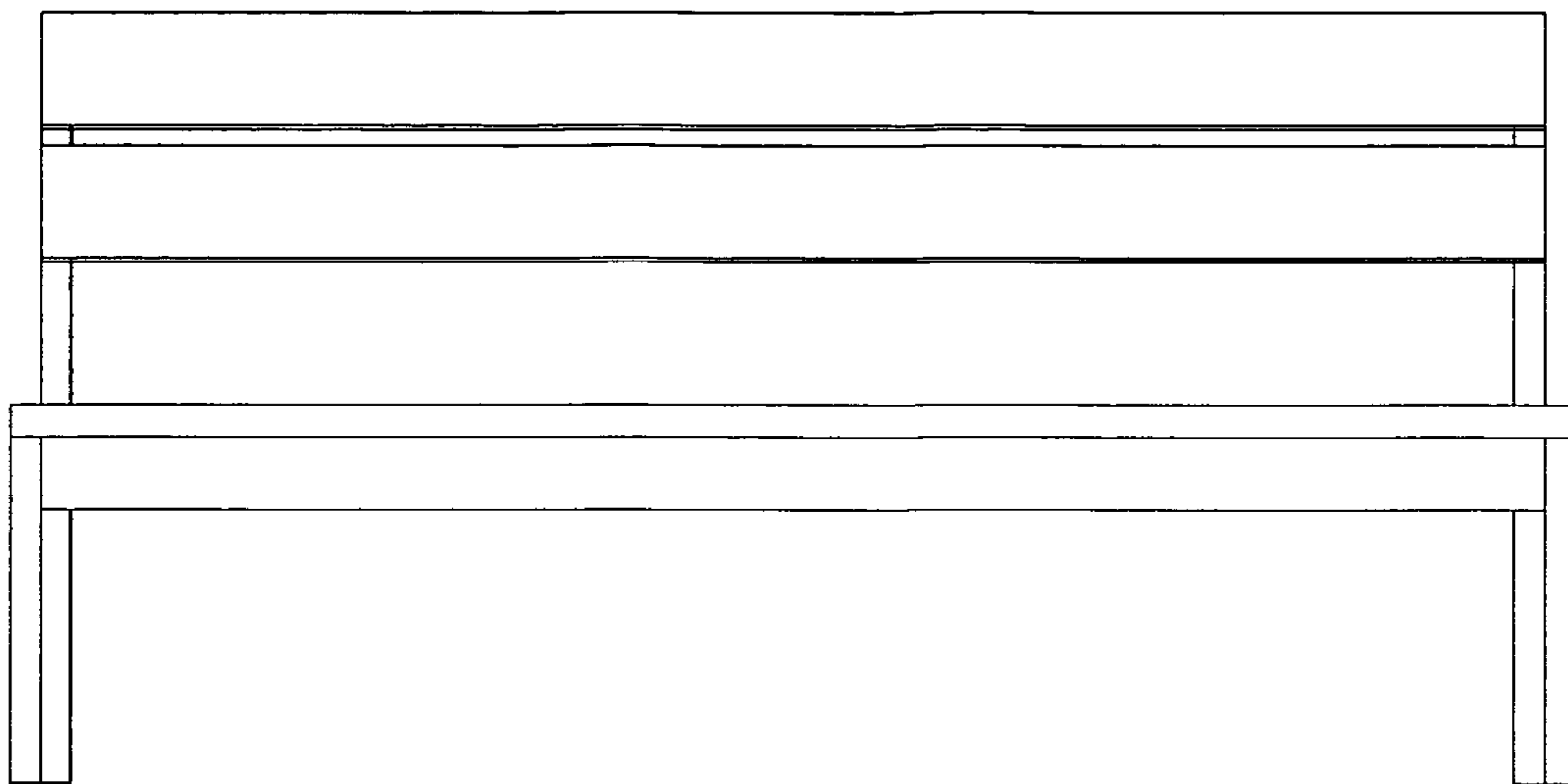


Fig. 2

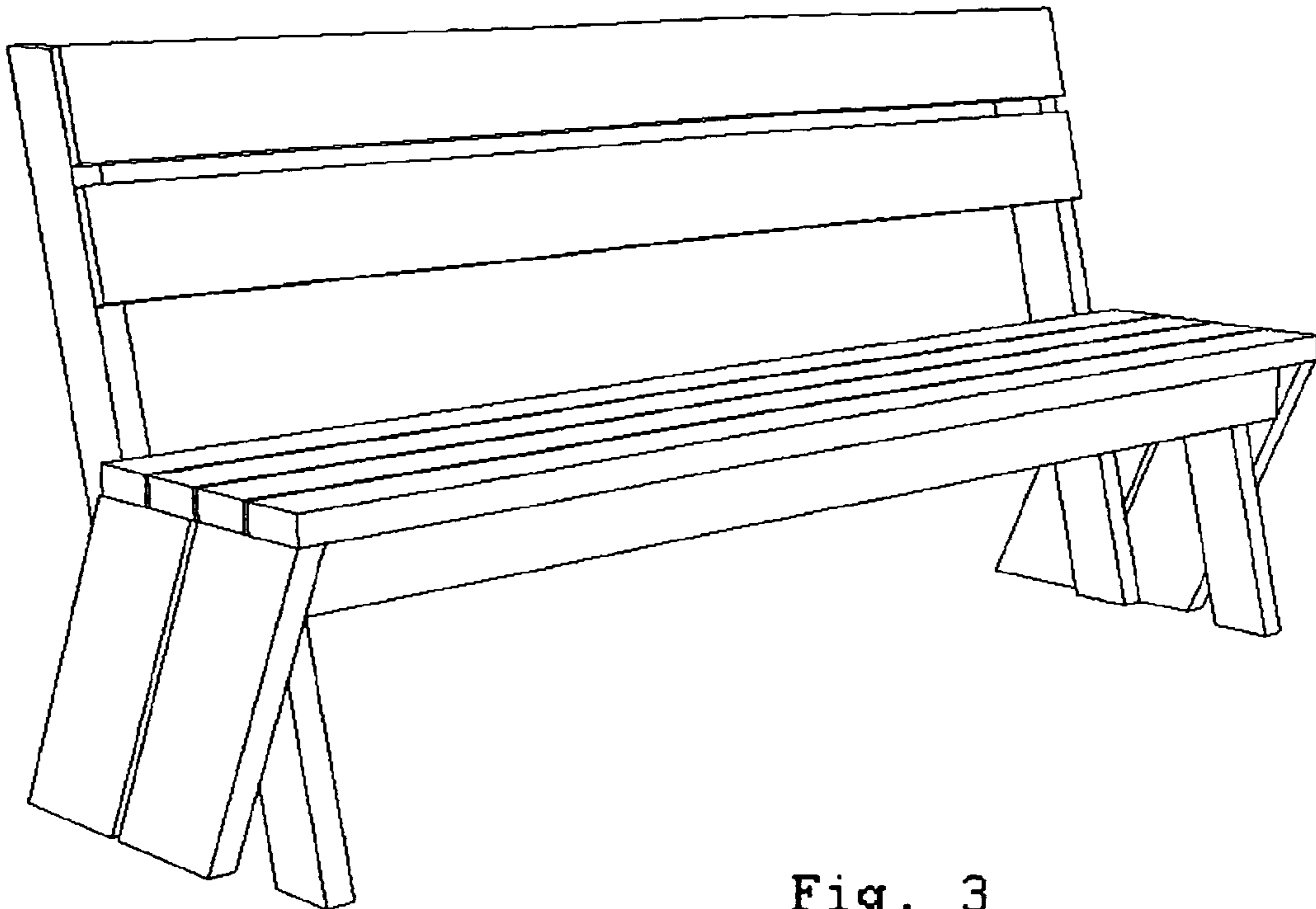


Fig. 3

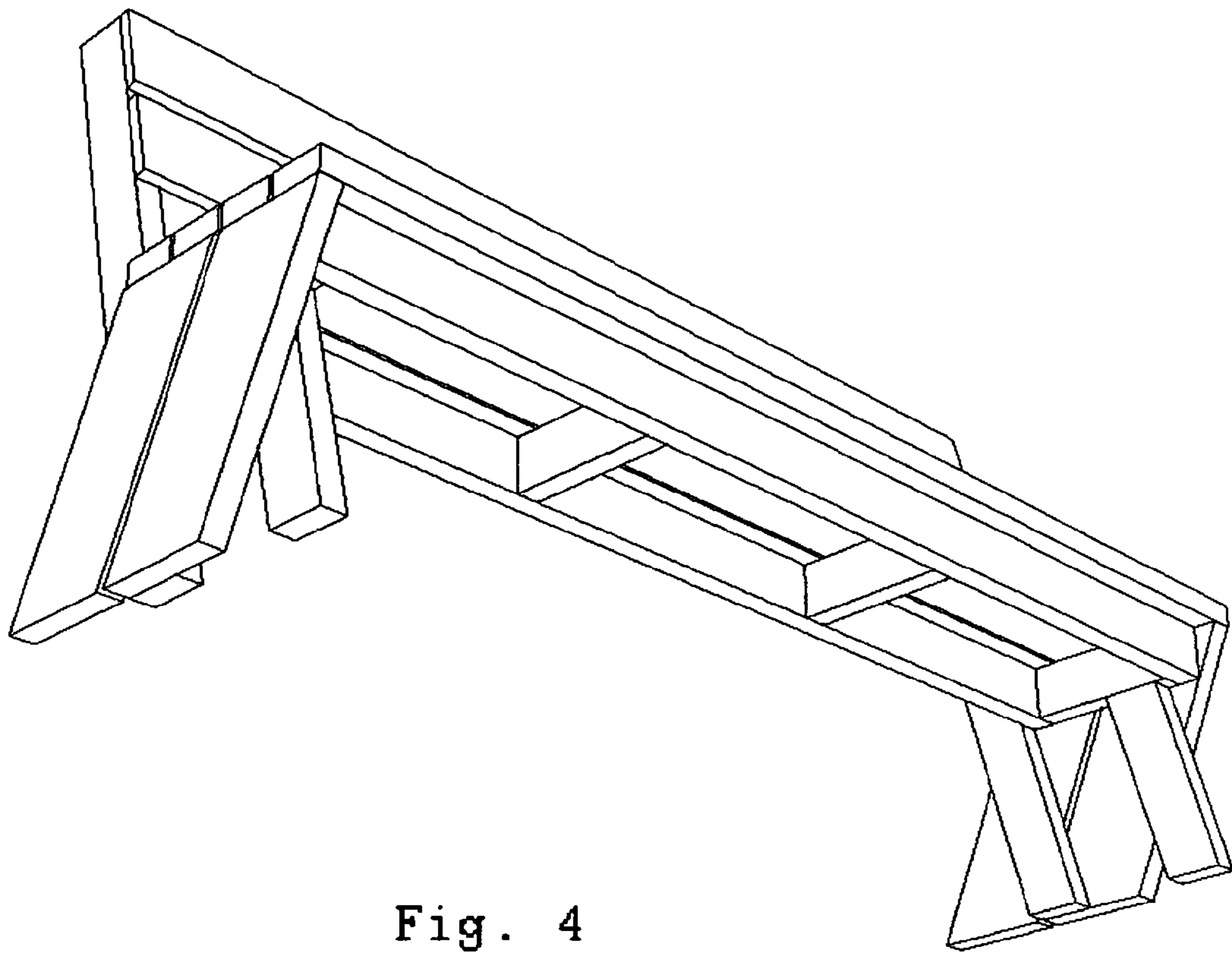


Fig. 4