



US00D655533S

(12) **United States Design Patent**
Denby et al.

(10) **Patent No.:** **US D655,533 S**
(45) **Date of Patent:** **** Mar. 13, 2012**

- (54) **MERCHANDISE DISPLAY UNIT**
- (75) Inventors: **Scott Denby**, Minneapolis, MN (US);
Joseph R. Stukenberg, Minneapolis,
MN (US)
- (73) Assignee: **Target Brands, Inc.**, Minneapolis, MN
(US)
- (**) Term: **14 Years**
- (21) Appl. No.: **29/393,745**
- (22) Filed: **Jun. 8, 2011**
- (51) **LOC (9) Cl.** **06-04**
- (52) **U.S. Cl.** **D6/455**
- (58) **Field of Classification Search** D6/397,
D6/432, 449, 454-469; 211/1, 13.1, 18,
211/26, 35, 36, 43, 70, 70.1, 85.1-85.4, 144,
211/163, 165, 194; D11/155; 312/140.2
See application file for complete search history.

5,984,439	A *	11/1999	Orr et al.	312/140.2
D426,984	S	6/2000	Griffith	
D435,182	S	12/2000	Mason	
D445,598	S *	7/2001	Petti	D6/461
6,425,647	B1	7/2002	Pothin	
D500,417	S *	1/2005	Levin et al.	D6/457
D534,372	S	1/2007	Babbino et al.	
D572,041	S	7/2008	Woolnough et al.	
D622,084	S	8/2010	Stukenberg et al.	
D632,508	S	2/2011	Levy et al.	

* cited by examiner

Primary Examiner — Mary Ann Calabrese
(74) *Attorney, Agent, or Firm* — Griffiths & Seaton PLLC

(57) **CLAIM**

The ornamental design for a merchandise display unit, as shown and described.

DESCRIPTION

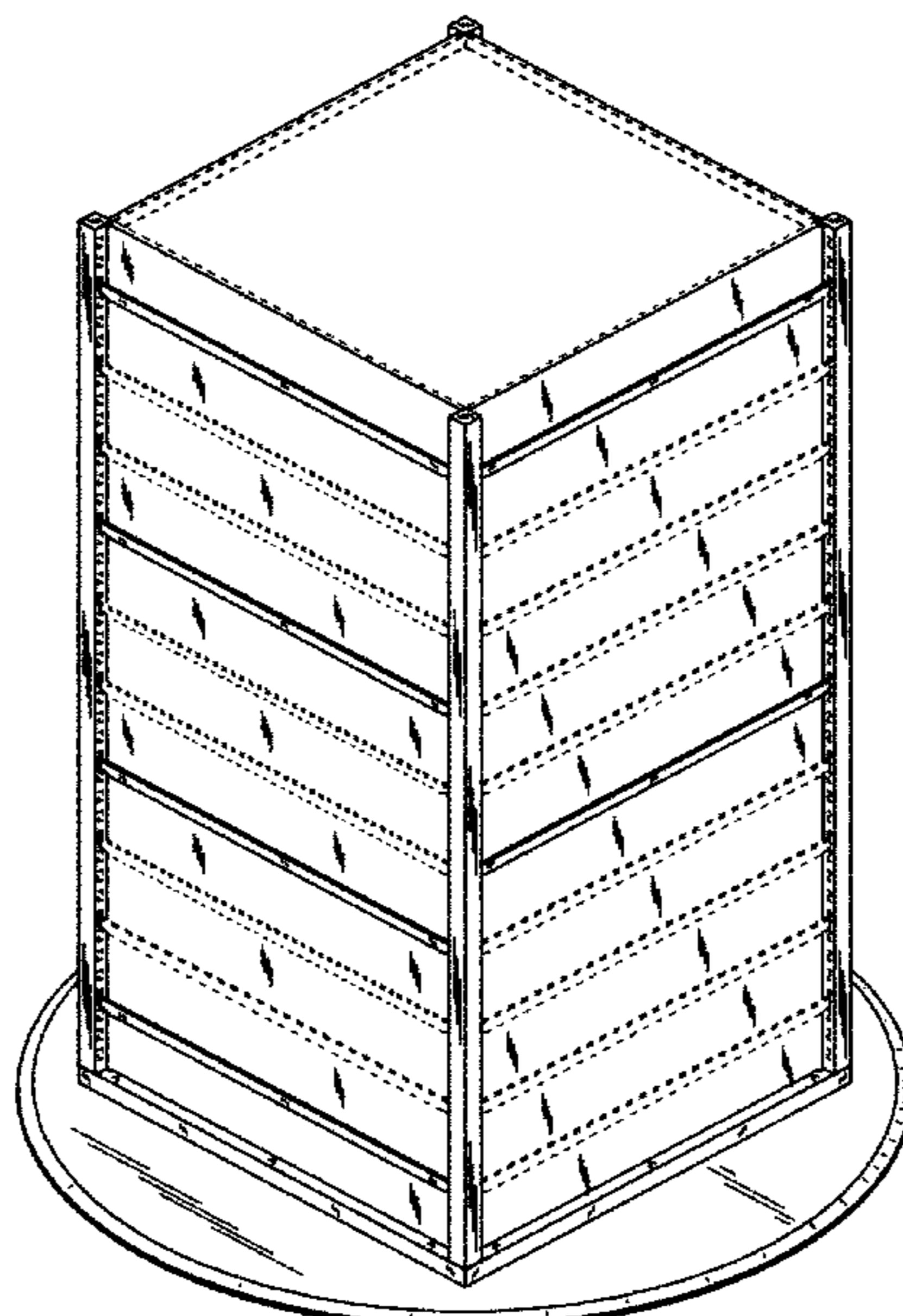
FIG. 1 is a front, perspective view of a merchandise display unit showing our new design;
 FIG. 2 is a front view thereof, the rear view being identical to the front view;
 FIG. 3 is a right side view thereof, the left side view being identical to the right side view; and
 FIG. 4 is a top view thereof.
 FIG. 5 is a front, perspective view of the merchandise display unit of FIG. 1 with additional environmental subject matter;
 FIG. 6 is a front view thereof, the rear view being identical to the front view;
 FIG. 7 is a right side view thereof, the left side view being identical to the right side view; and,
 FIG. 8 is a top view thereof.
 The features shown in broken lines depict environmental subject matter only and form no part of the claimed design.
 The non-illustrated bottom surface and the unshaded top surfaces also form no part of the claimed design.

(56) **References Cited**

U.S. PATENT DOCUMENTS

D210,988	S *	5/1968	Verrecchia	D6/461
4,093,077	A *	6/1978	Strasser	211/194
D285,153	S	8/1986	Davis	
D307,083	S	4/1990	Knudsen	
D318,581	S	7/1991	DiDomenico	
D322,368	S	12/1991	Blum	
D327,996	S	7/1992	Warfield	
D336,177	S *	6/1993	Kulaga	D6/432
D348,364	S	7/1994	Engel	
D351,747	S	10/1994	Rubin	
D353,284	S	12/1994	Greenwald	
D376,769	S *	12/1996	Kreidler	D11/155
D393,960	S	5/1998	Geier et al.	
D394,964	S *	6/1998	Geier et al.	D6/457
5,853,090	A *	12/1998	Brozak, Jr.	211/13.1
D408,654	S *	4/1999	Liberto	D6/457

1 Claim, 8 Drawing Sheets



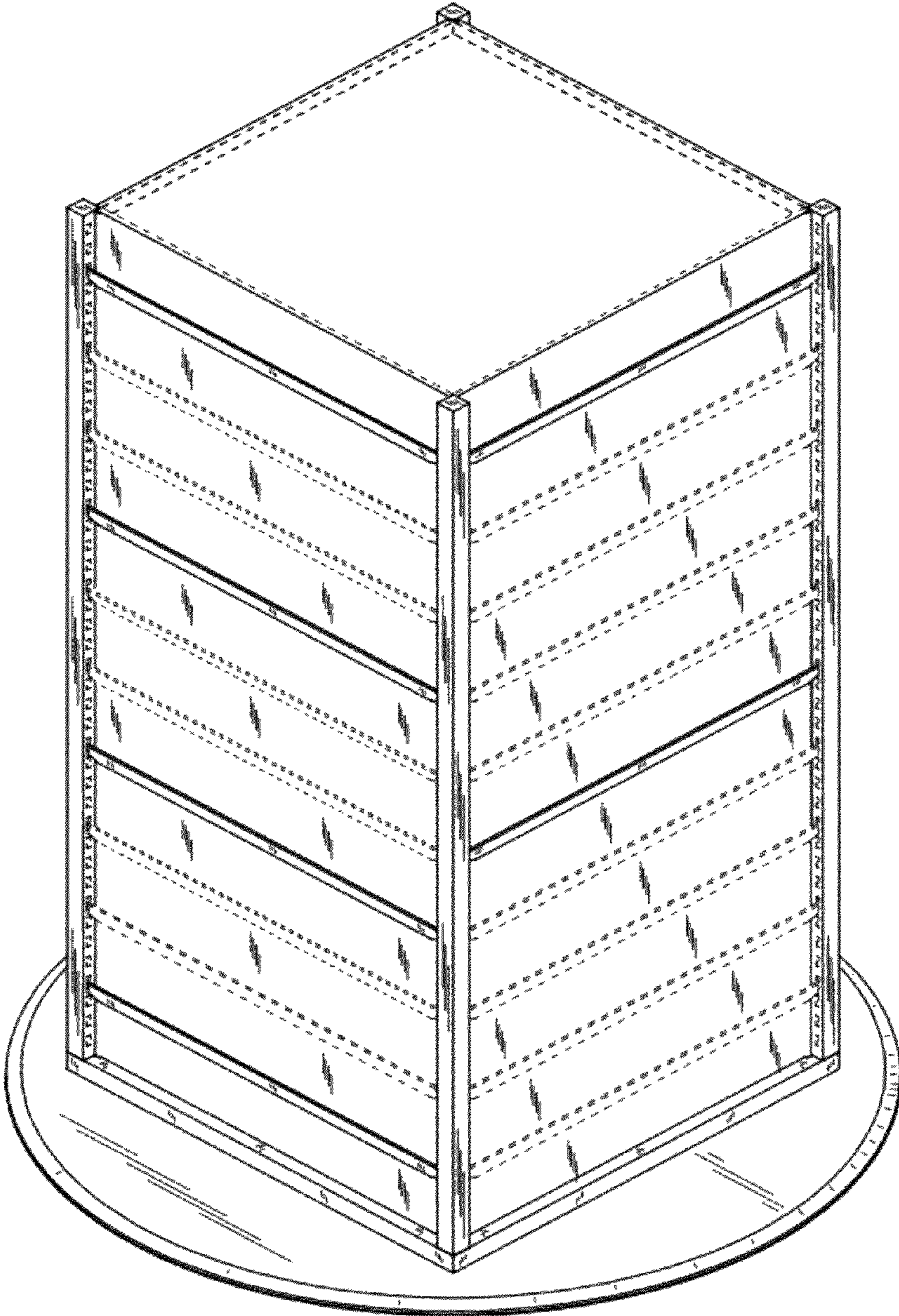


FIG. 1

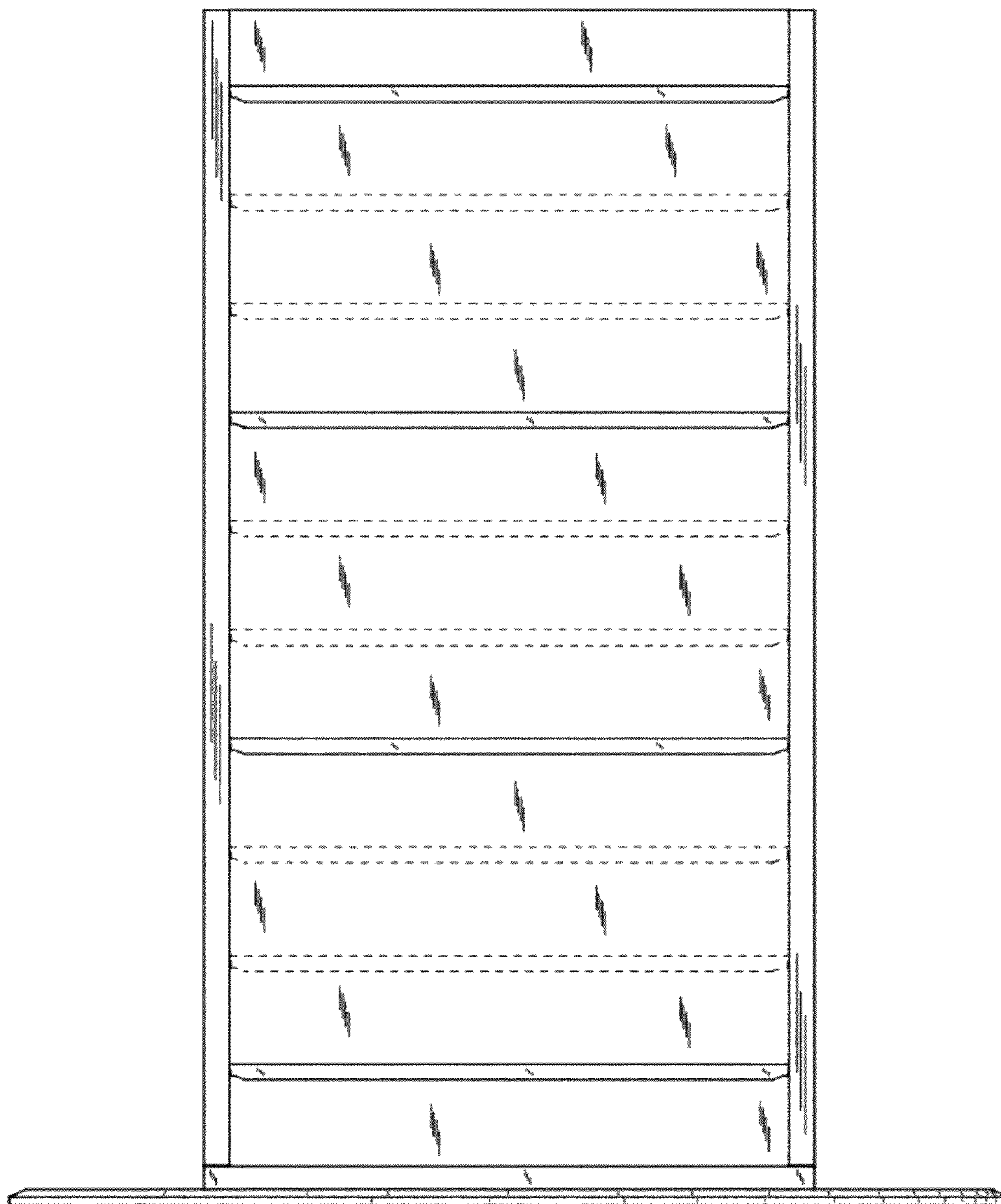


FIG. 2

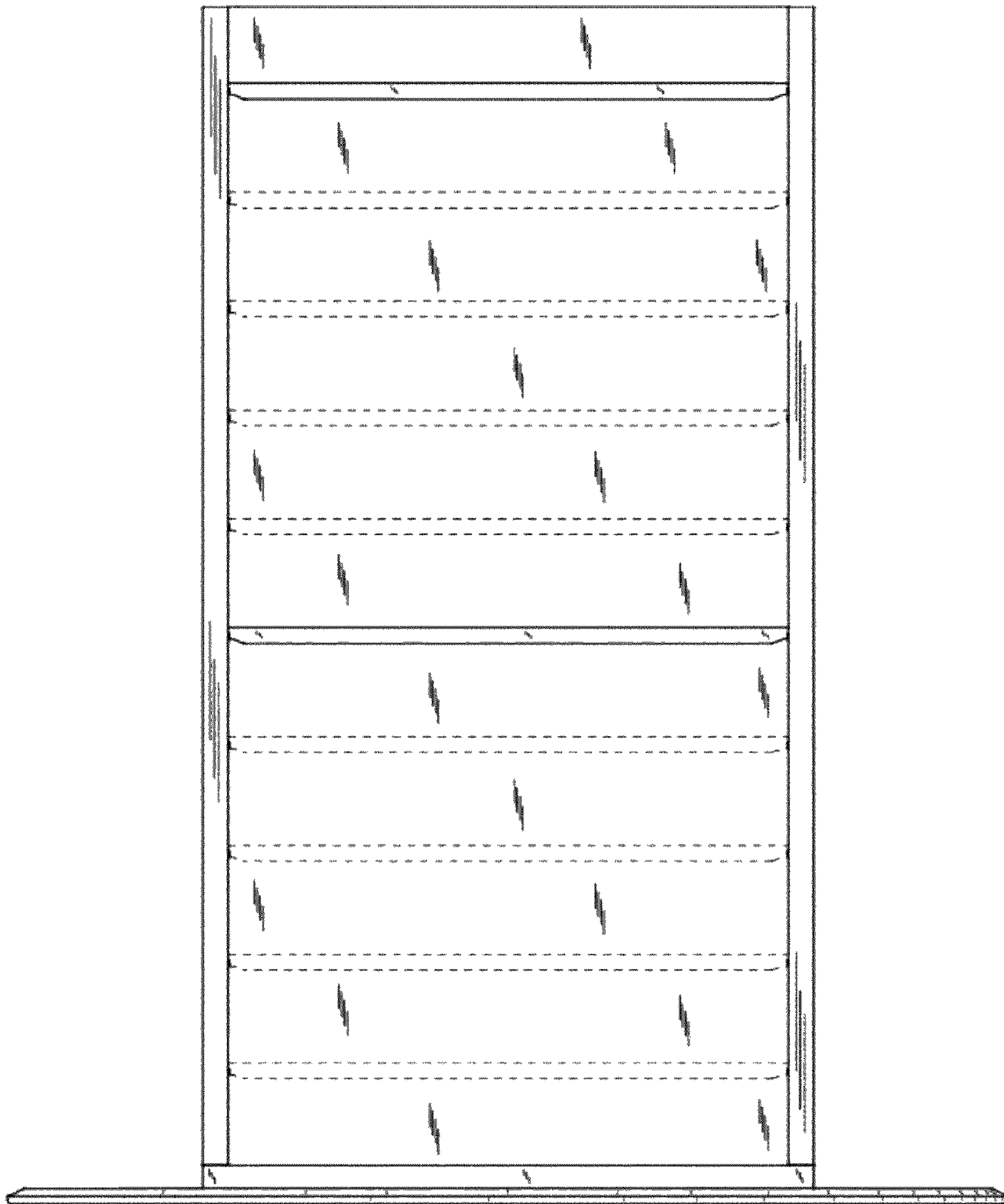


FIG. 3

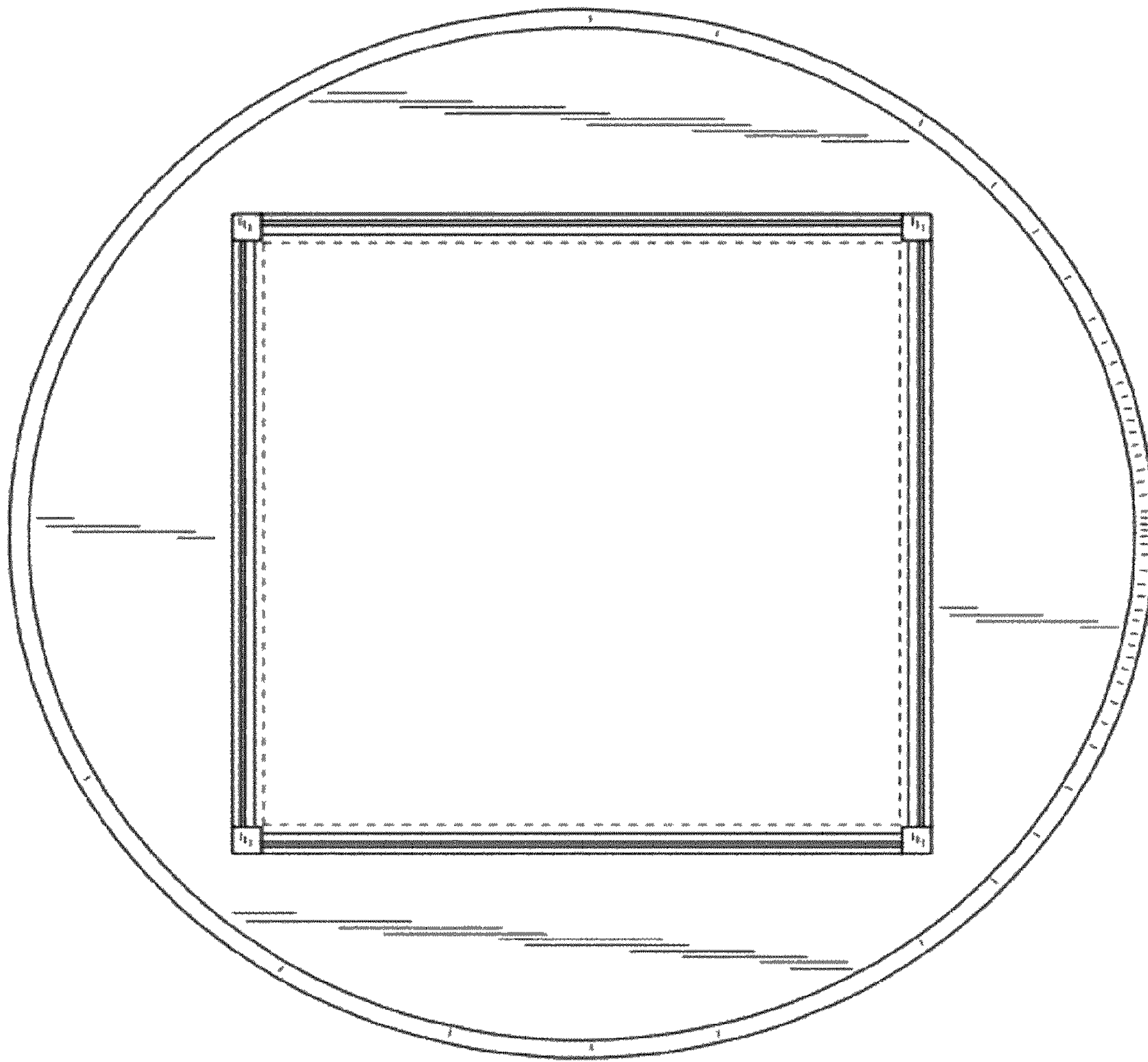


FIG. 4

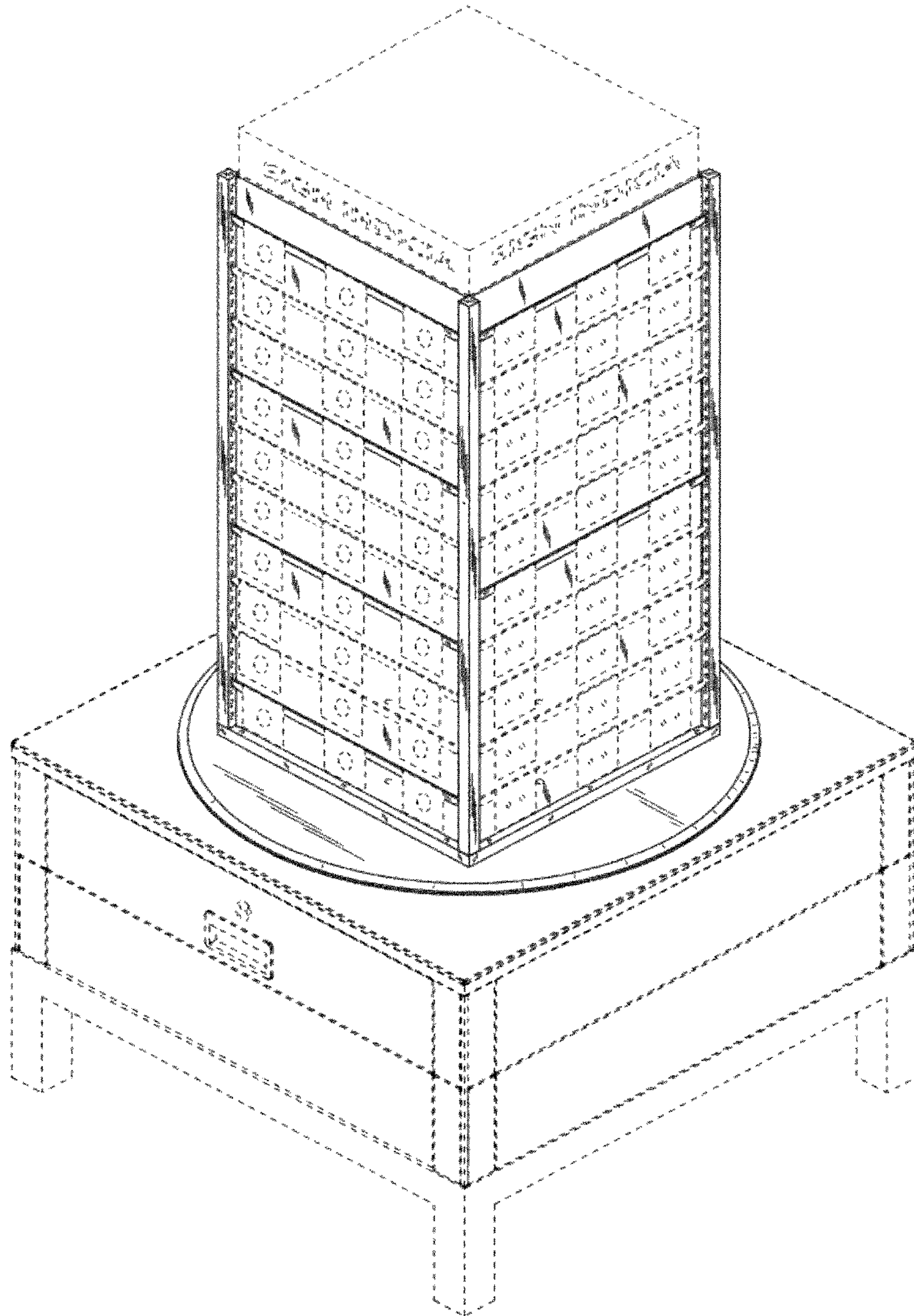


FIG. 5

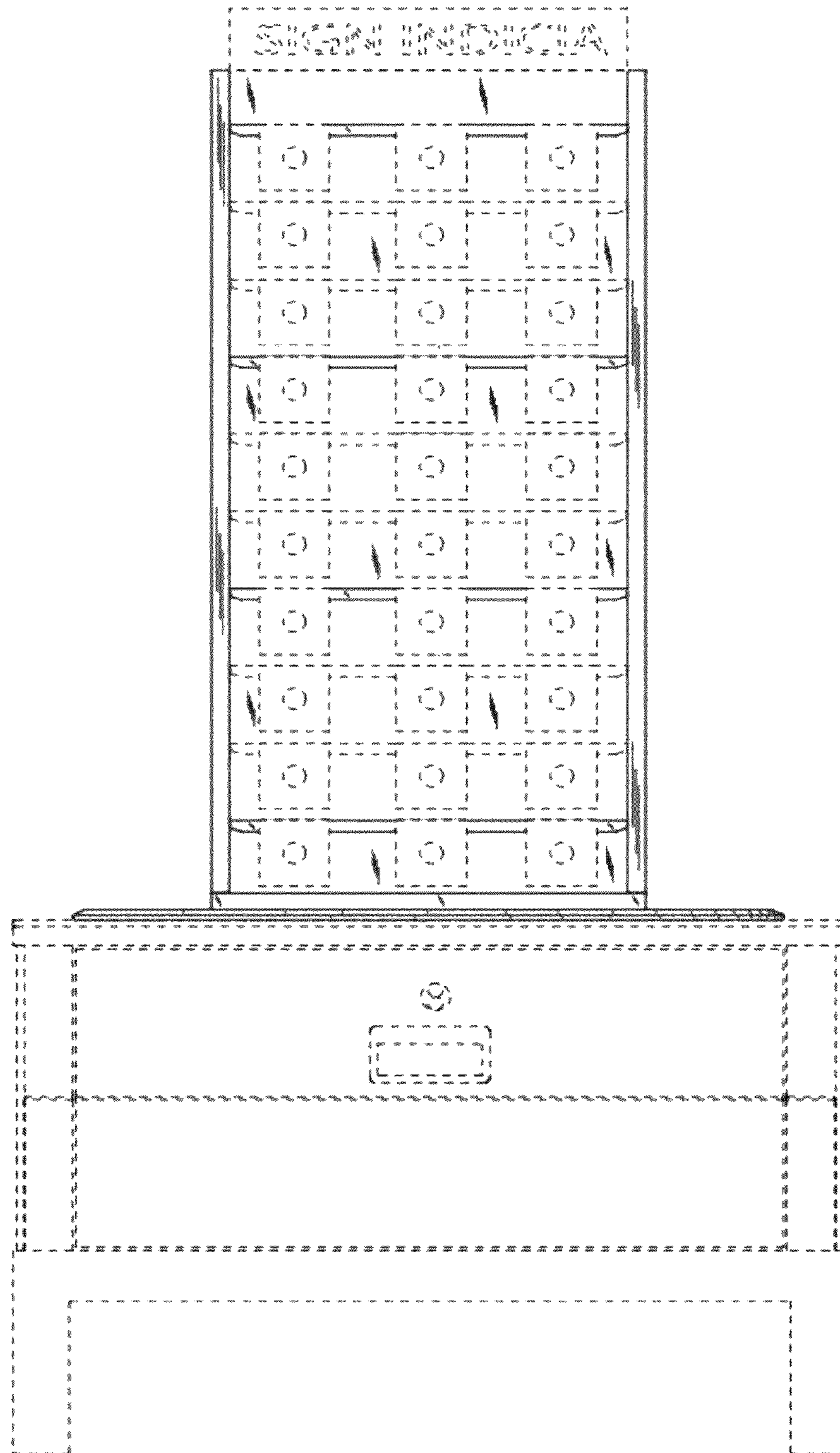


FIG. 6

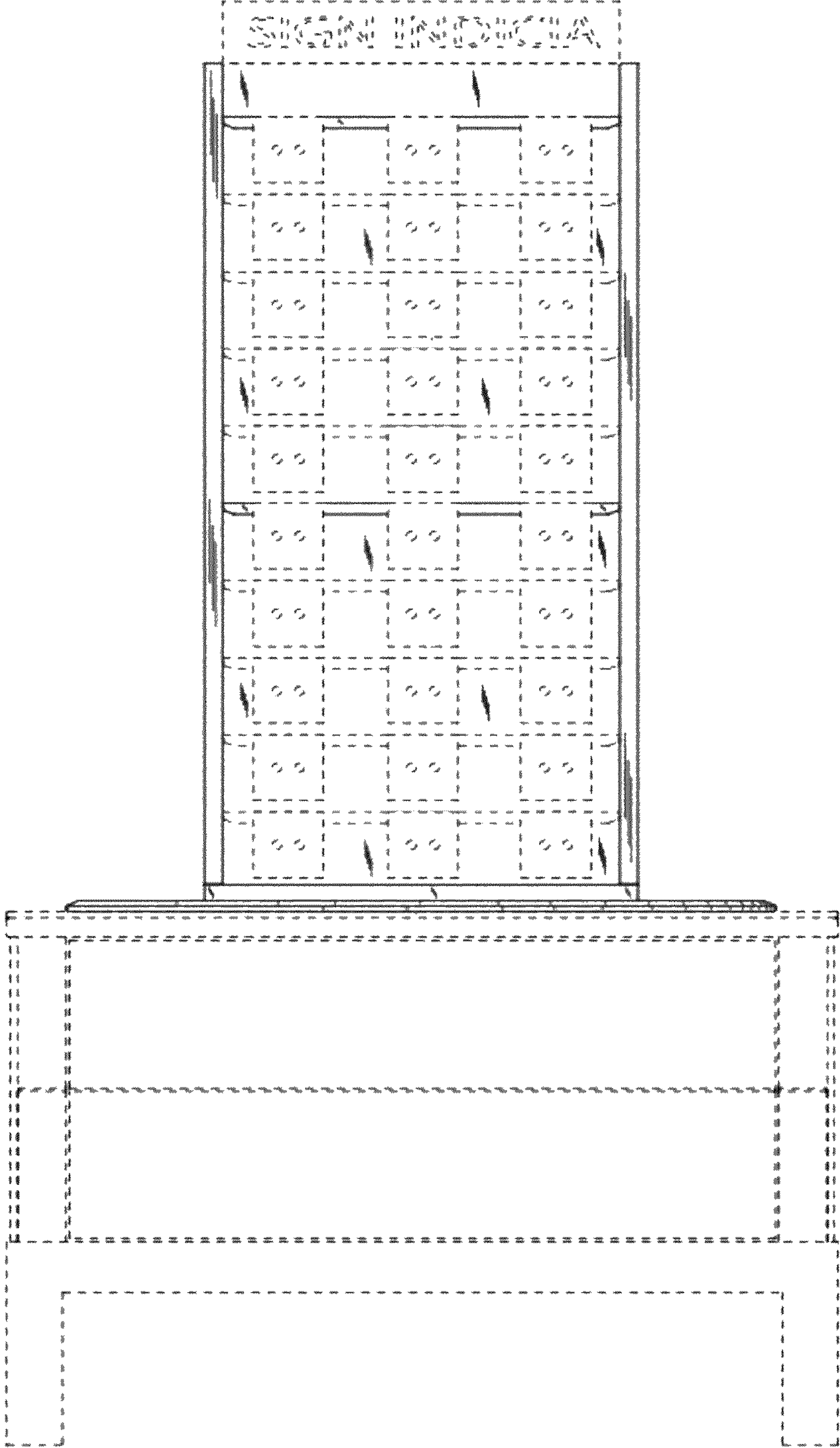


FIG. 7

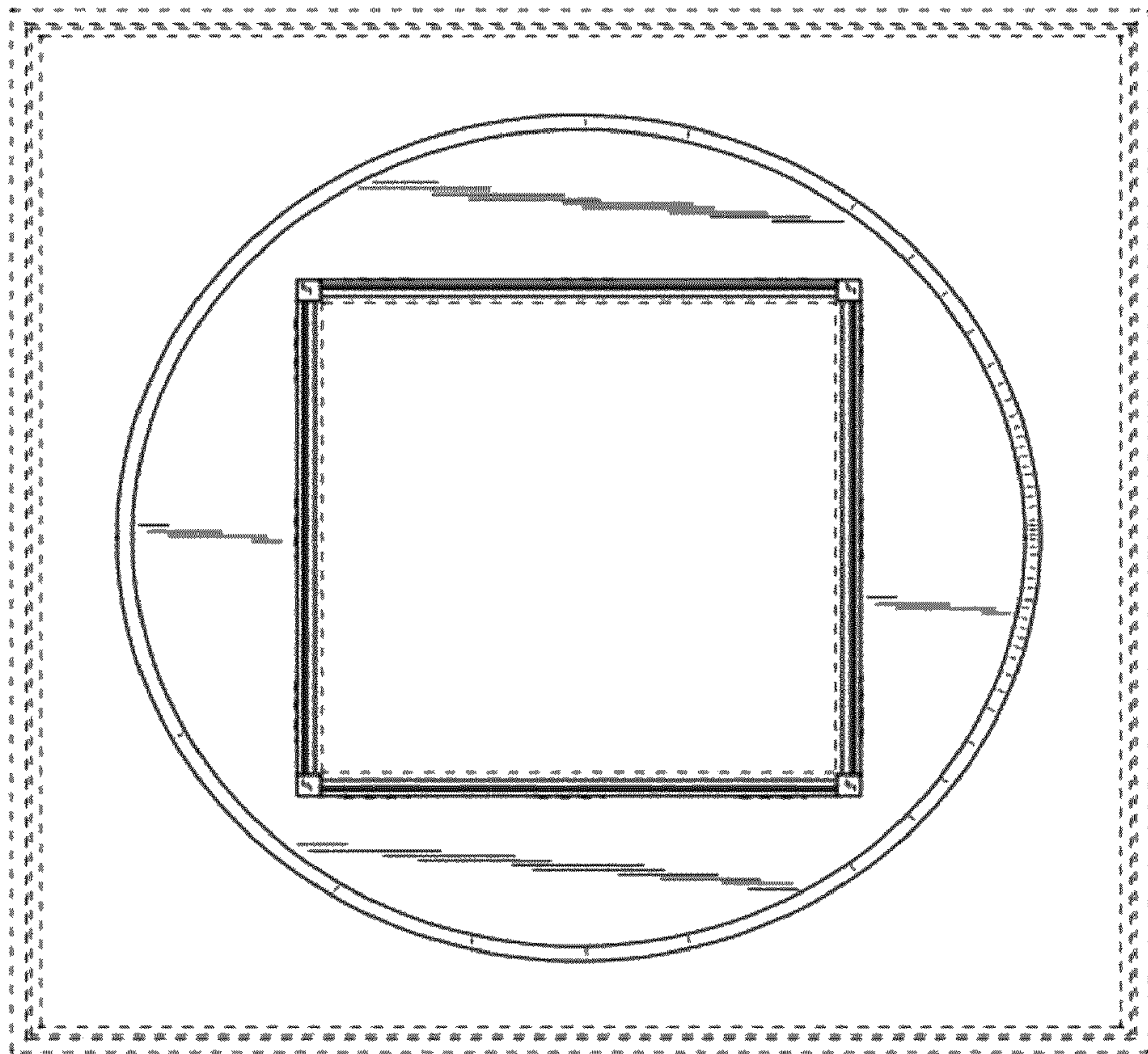


FIG. 8