



US00D655532S

(12) **United States Design Patent**  
**Saelid**

(10) **Patent No.:** **US D655,532 S**  
(45) **Date of Patent:** **\*\* Mar. 13, 2012**

(54) **ARTICULATED SUPPORT ARM  
ATTACHMENT FOR A TABLE LEG**

(75) Inventor: **Marianne Saelid, Ikornnes (NO)**

(73) Assignee: **Ekornes ASA, Ikornnes (NO)**

(\*\*) Term: **14 Years**

(21) Appl. No.: **29/359,949**

(22) Filed: **Apr. 16, 2010**

(30) **Foreign Application Priority Data**

Oct. 19, 2009 (NO) ..... 20090534

(51) **LOC (9) Cl.** ..... **06-04**

(52) **U.S. Cl.** ..... **D6/418**

(58) **Field of Classification Search** ..... D6/491,  
D6/444, 513, 418; D14/452, 375, 447, 239,  
D14/253, 448, 451, 457; 248/430, 274.1,  
248/282.2, 121, 124.1, 127, 176.1, 309; 439/374;  
297/411.36; D8/380, 349, 355, 373; 378/181,  
378/197; 362/430; 5/500

See application file for complete search history.

(56) **References Cited**

**U.S. PATENT DOCUMENTS**

D313,712 S \* 1/1991 Rupprechter et al. .... D6/491  
5,379,205 A \* 1/1995 Peng ..... 362/430  
D391,148 S \* 2/1998 Rosen ..... D8/380  
6,095,468 A \* 8/2000 Chirico et al. .... 248/282.1  
D435,852 S \* 1/2001 Oddsen, Jr. .... D14/452  
6,695,270 B1 \* 2/2004 Smed ..... 248/274.1

D488,163 S \* 4/2004 Hunt ..... D14/452  
D494,183 S \* 8/2004 Wills et al. .... D14/452  
6,935,883 B2 \* 8/2005 Oddsen, Jr. .... 439/374  
D555,657 S \* 11/2007 Loyd ..... D14/452  
D598,917 S \* 8/2009 Luber ..... D14/375  
7,677,515 B2 \* 3/2010 Oddsen et al. .... 248/274.1  
7,677,516 B2 \* 3/2010 Oddsen, Jr. .... 248/274.1  
7,785,006 B2 \* 8/2010 Kim ..... 378/197  
7,921,489 B2 \* 4/2011 Newkirk et al. .... 5/600  
D643,042 S \* 8/2011 Saelid ..... D14/452  
2008/0309141 A1 \* 12/2008 Machael et al. .... 297/411.36  
2009/0225956 A1 \* 9/2009 Kim ..... 378/181

\* cited by examiner

*Primary Examiner* — Philip S Hyder

*Assistant Examiner* — Sydney Buffalow

(74) *Attorney, Agent, or Firm* — Schneck & Schneck;  
Thomas Schneck

(57) **CLAIM**

I claim the ornamental design for an articulated support arm attachment for a table leg, as shown.

**DESCRIPTION**

FIG. 1 is an upper front perspective view of an articulated support arm attachment for a table leg of my design;

FIG. 2 is a lower front perspective view of the present invention in an extended state.

FIG. 3 is a bottom view thereof;

FIG. 4 is a top view thereof;

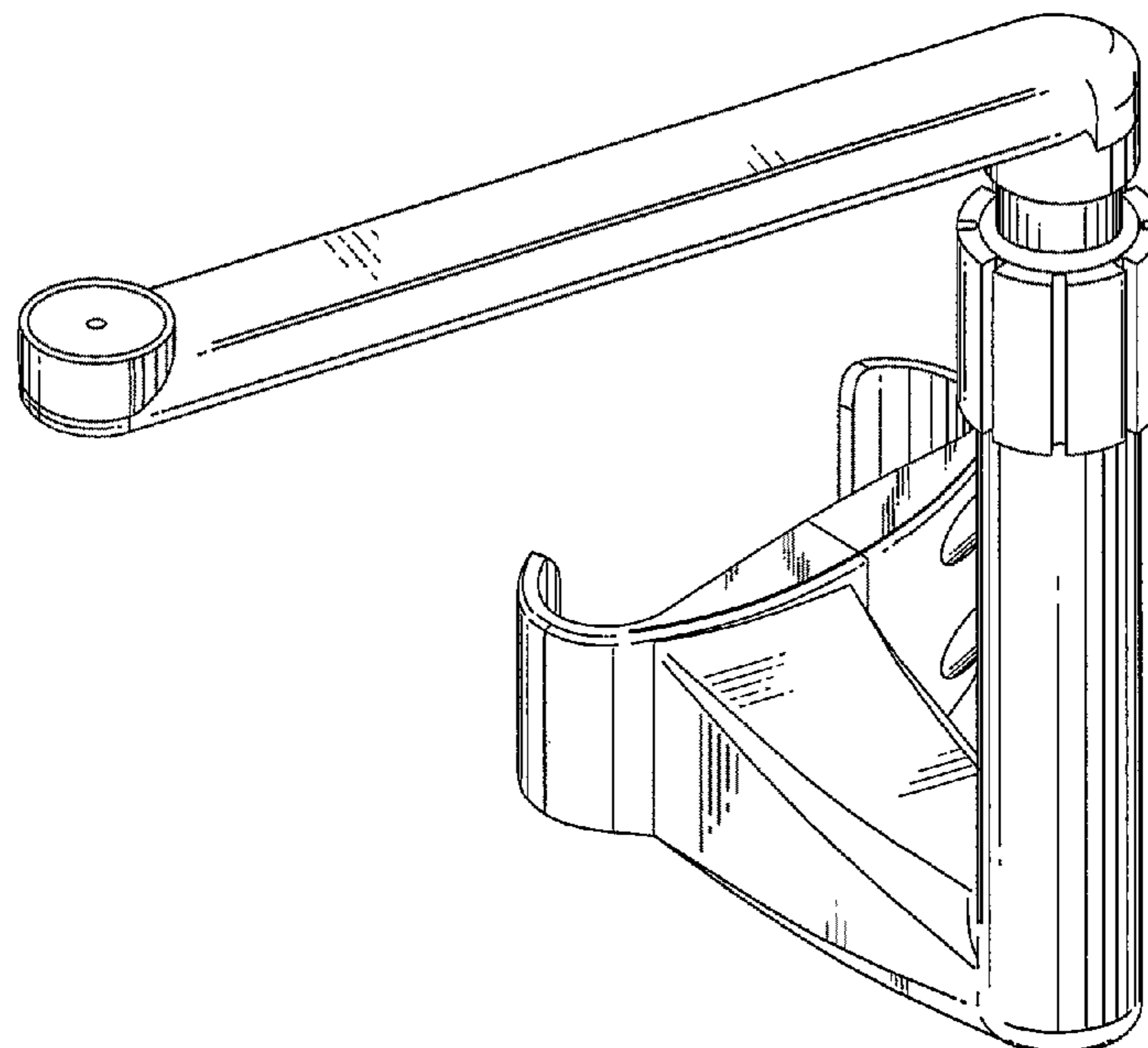
FIG. 5 is a quarter right side view thereof;

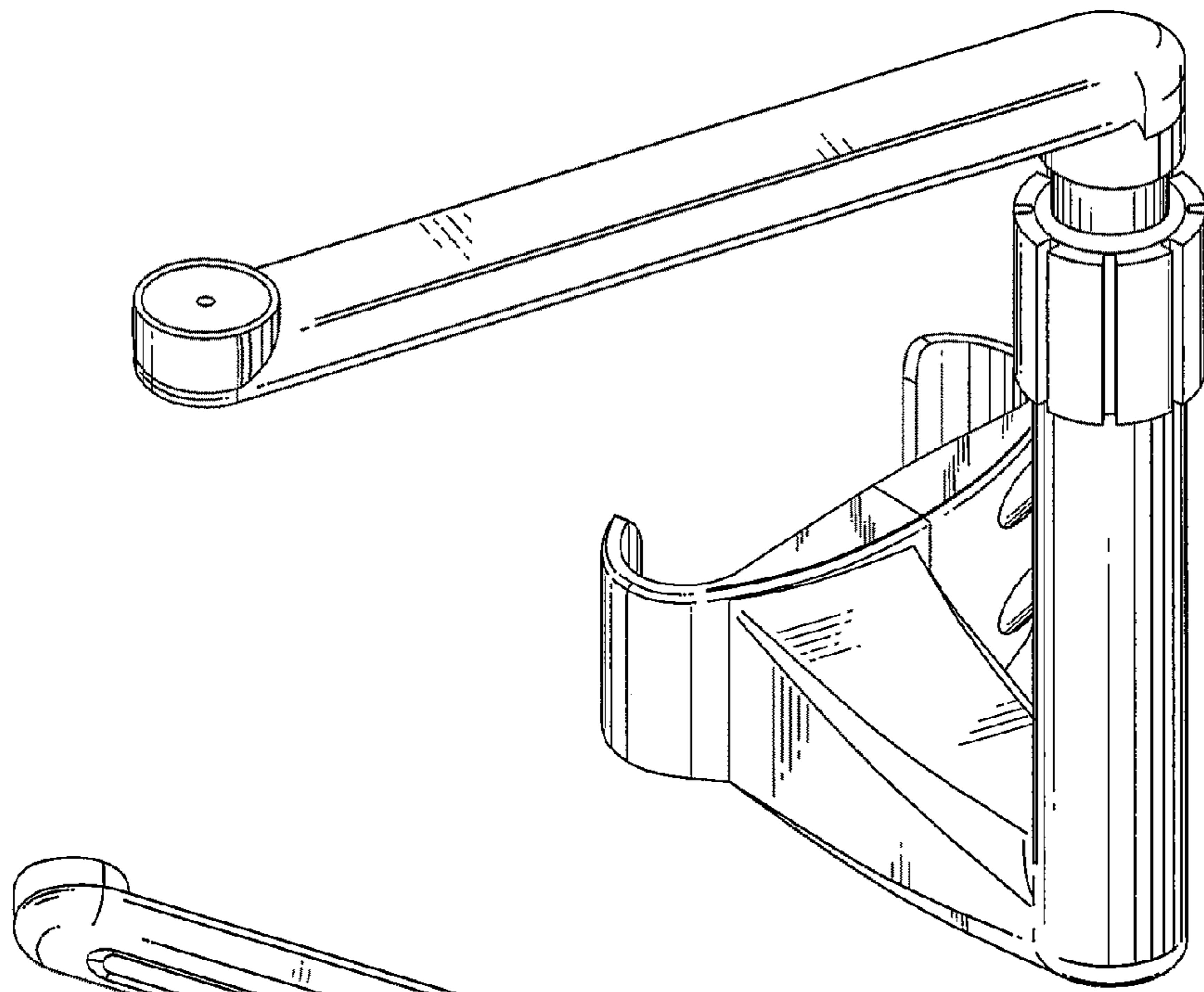
FIG. 6 is a quarter left side view thereof;

FIG. 7 is a full right side view thereof; and,

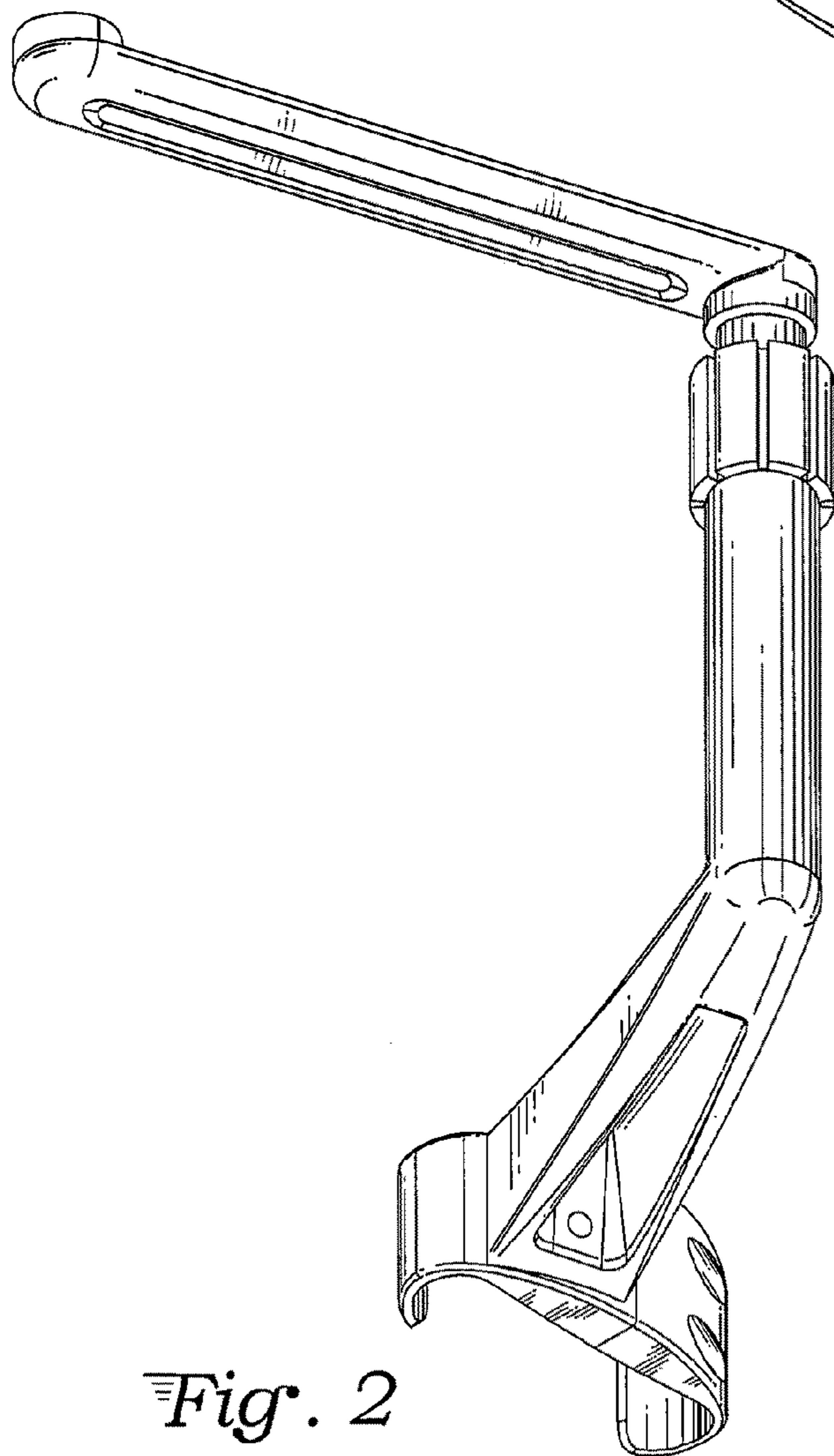
FIG. 8 is a full left side view thereof.

**1 Claim, 4 Drawing Sheets**

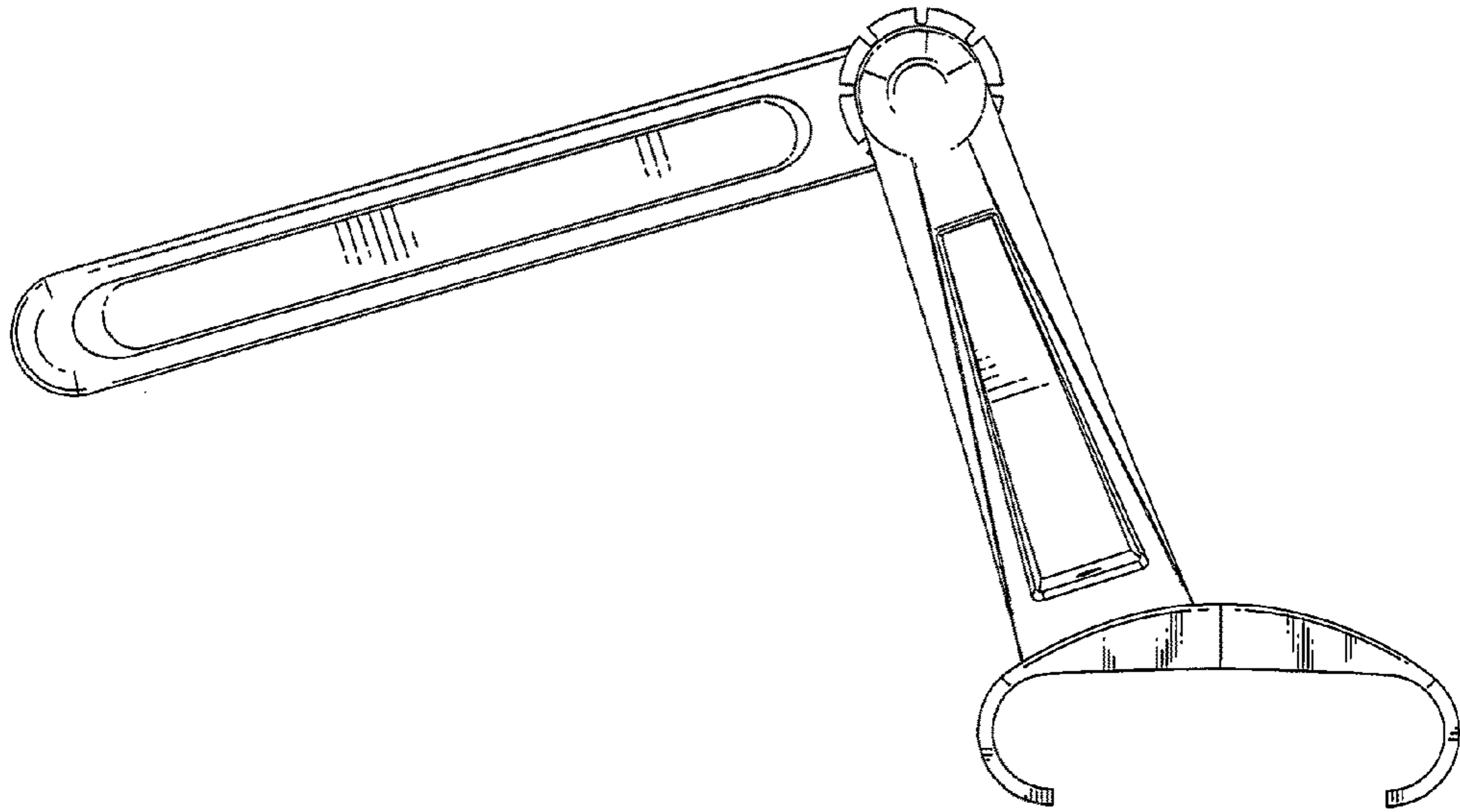




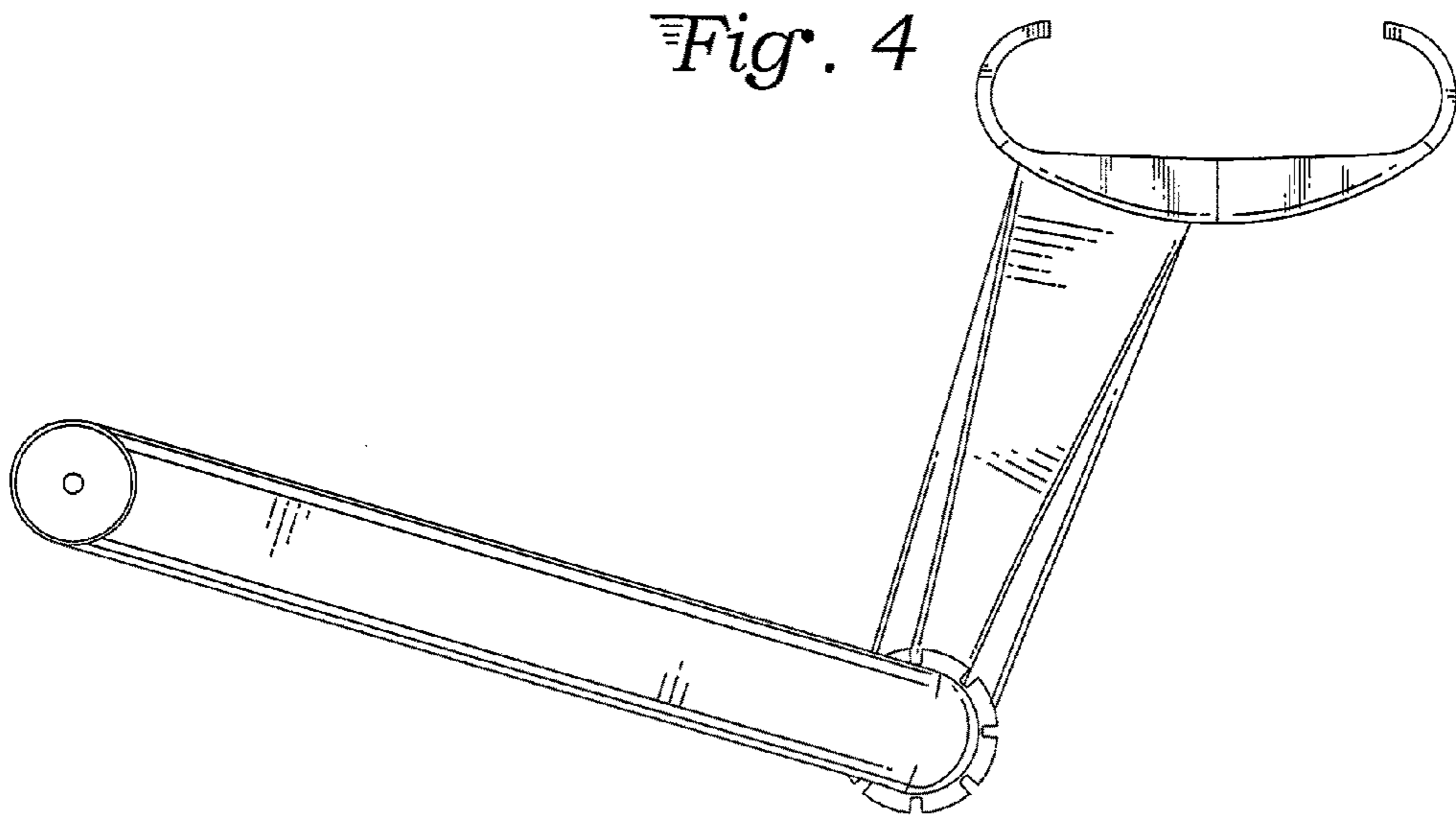
*Fig. 1*



*Fig. 2*

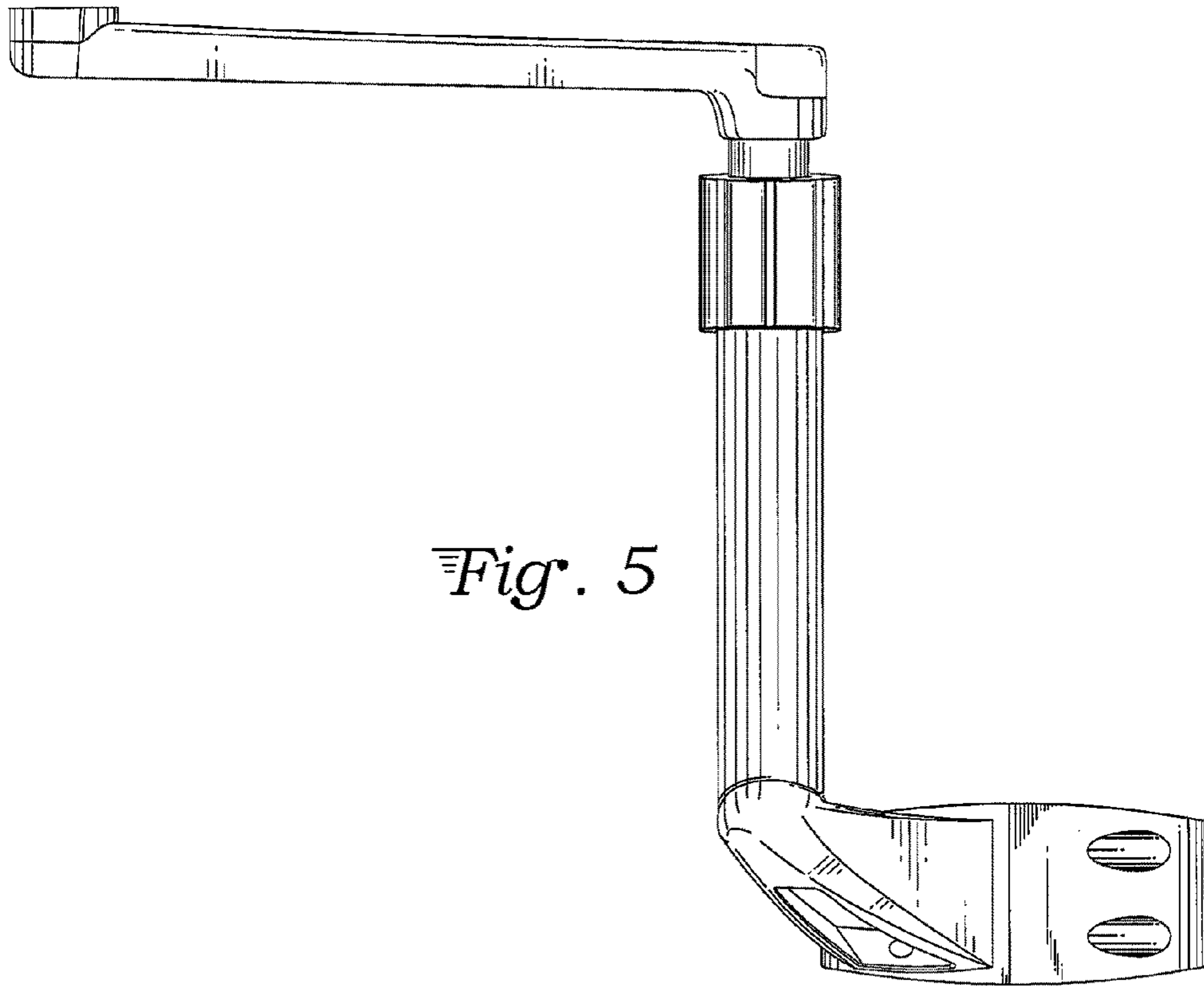


*Fig. 3*

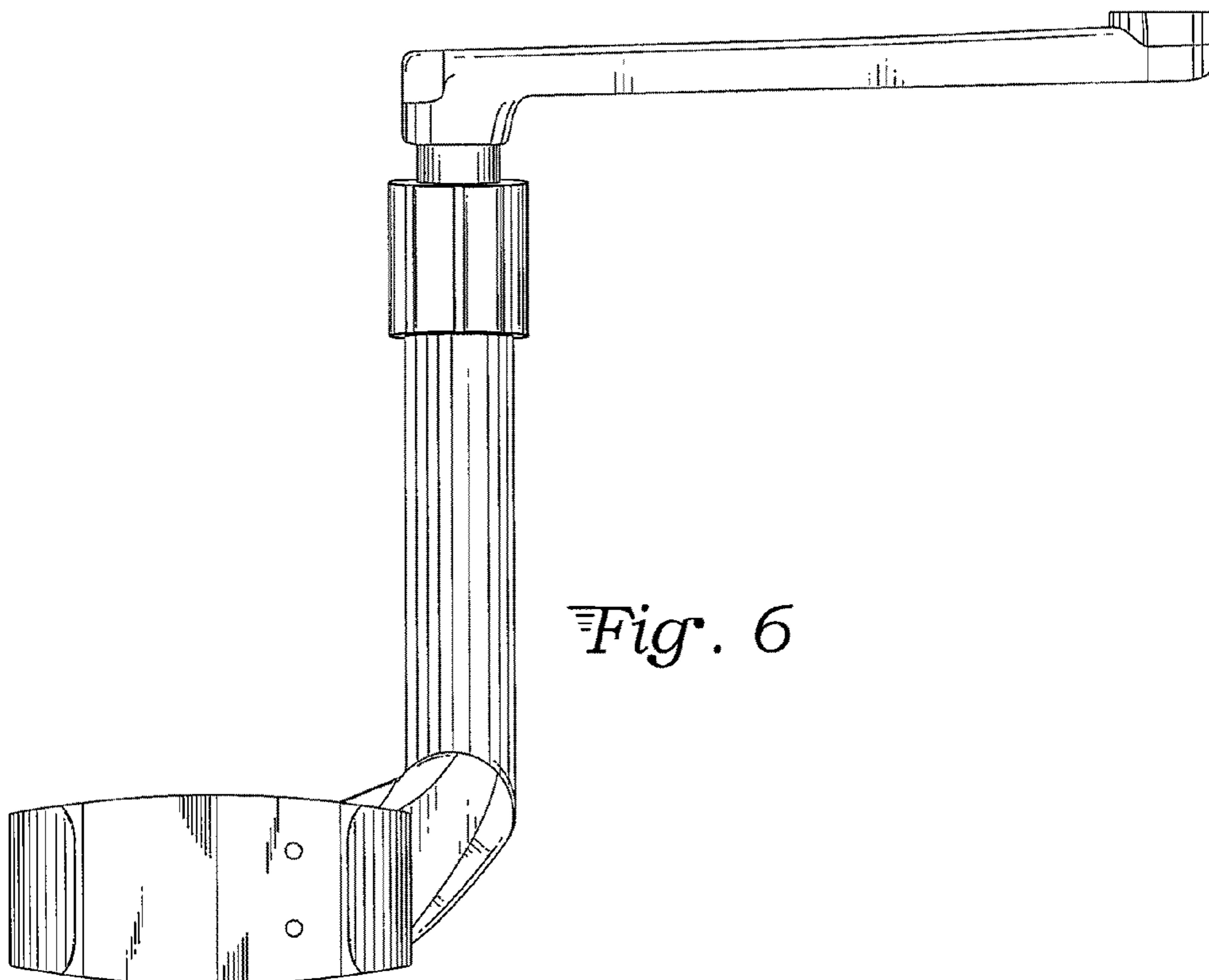


*Fig. 4*

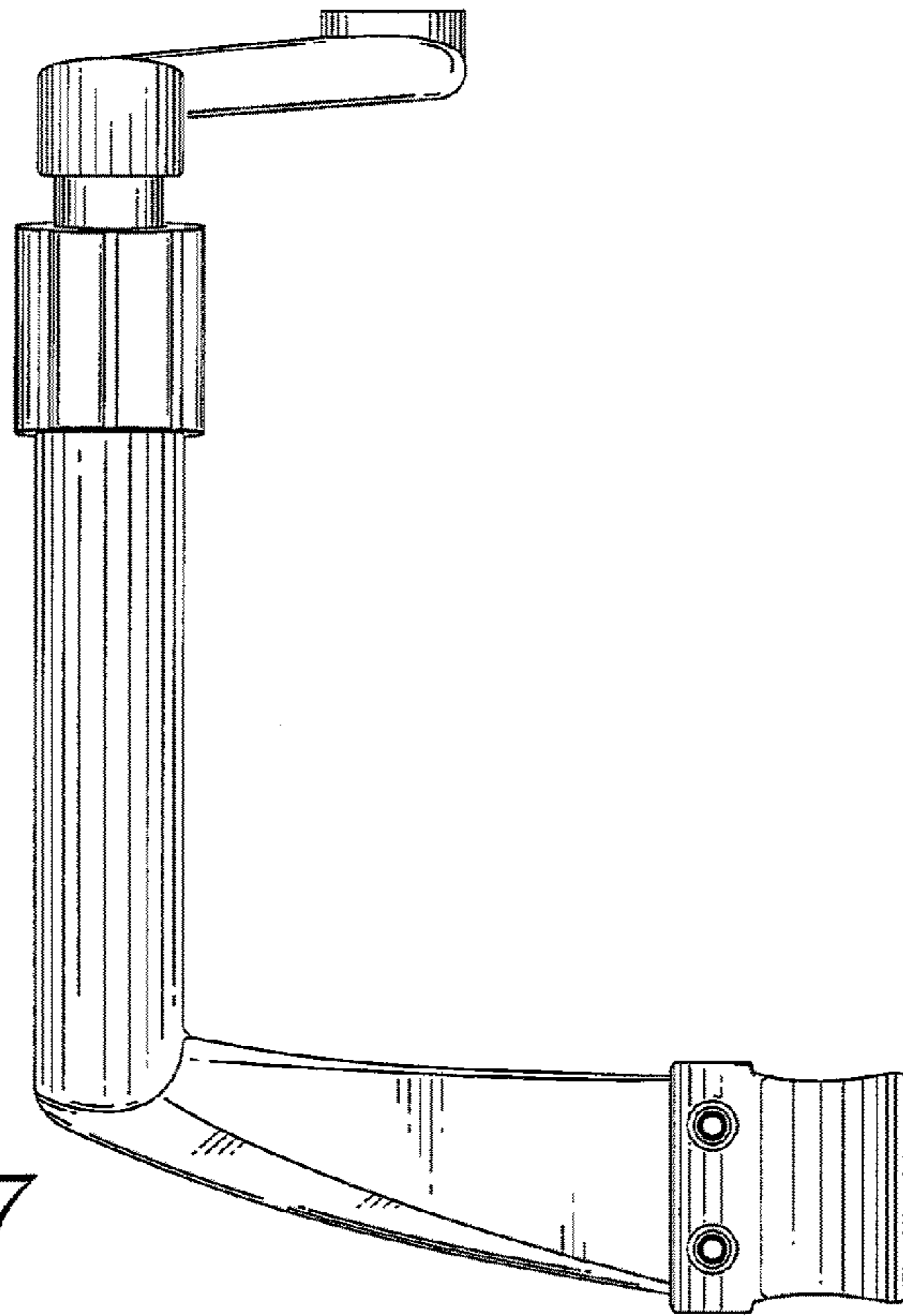




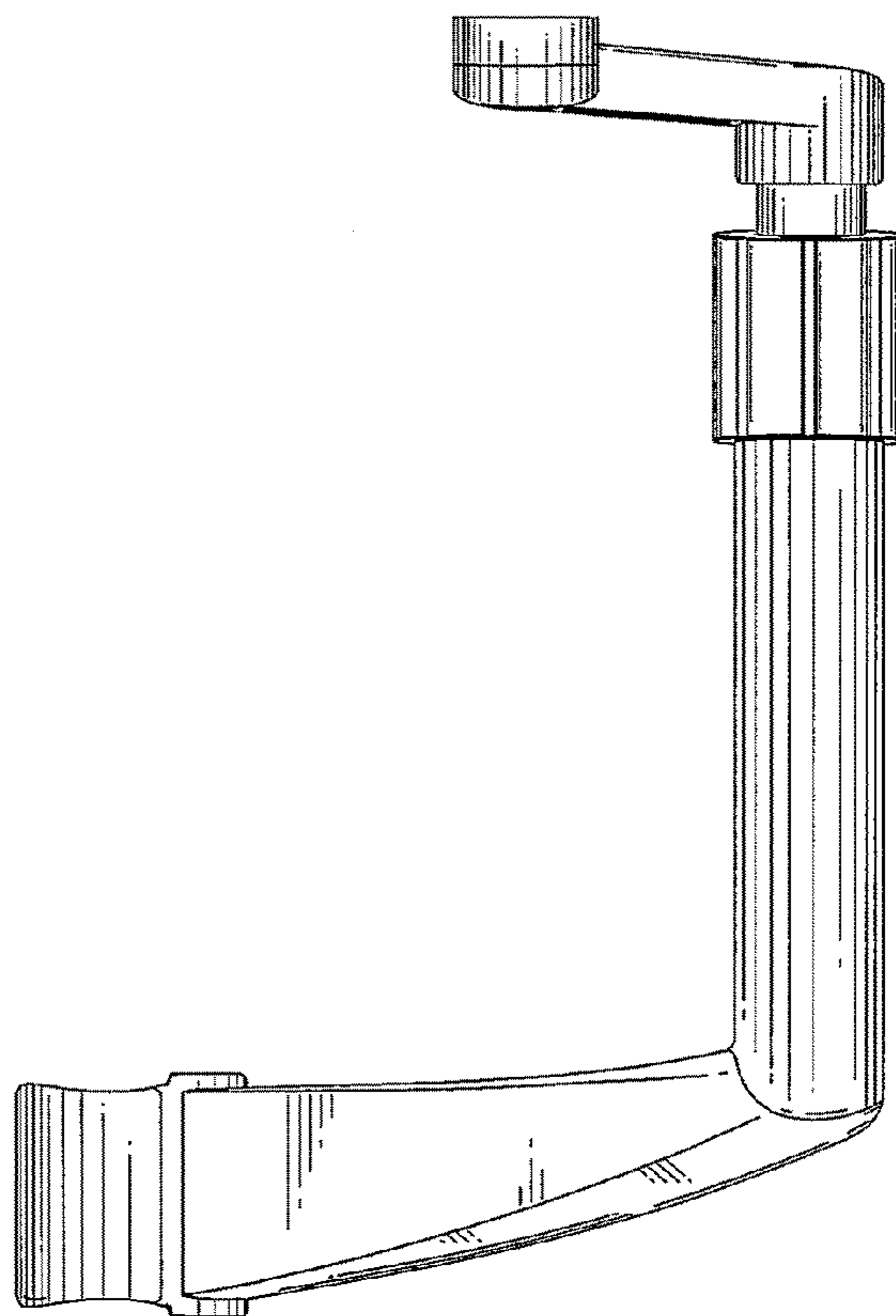
*Fig. 5*



*Fig. 6*



*Fig. 7*



*Fig. 8*