



US00D655531S

(12) **United States Design Patent**
Gharst

(10) **Patent No.:** **US D655,531 S**
(45) **Date of Patent:** **** Mar. 13, 2012**

- (54) **FOLDING UMBRELLA STAND**
- (75) Inventor: **Aaron R. Gharst**, Poway, CA (US)
- (73) Assignee: **Taag Industries Corp.**, Vista, CA (US)
- (**) Term: **14 Years**
- (21) Appl. No.: **29/400,960**
- (22) Filed: **Sep. 2, 2011**
- (51) **LOC (9) Cl.** **06-04**
- (52) **U.S. Cl.** **D6/416**
- (58) **Field of Classification Search** D6/416,
D6/449, 455, 457, 470, 472, 475, 417, 462,
D6/464-465, 397; 108/91-93, 107, 144.11,
108/149, 59, 161, 111, 2, 108; 248/156,
248/153, 235, 243; 312/107, 114, 117, 138.1;
211/153, 186-190, 194, 85.3, 86.01, 87.01,
211/90.01, 90.03, 134, 181.1; D3/10
See application file for complete search history.

- D464,499 S * 10/2002 Gharst D6/416
- 6,575,417 B1 * 6/2003 Krommenakker 248/311.2
- D549,525 S * 8/2007 Kozel et al. D7/620
- D605,872 S * 12/2009 Gharst D6/416

* cited by examiner

Primary Examiner — Philip S Hyder
Assistant Examiner — Sydney Buffalow
(74) *Attorney, Agent, or Firm* — Nydegger & Associates

(57) **CLAIM**
The ornamental design for a folding umbrella stand, as shown and described.

DESCRIPTION

FIG. 1 is a perspective view of the umbrella stand of the present invention;
FIG. 2 is a front elevation view thereof;
FIG. 3 is a top plan view thereof;
FIG. 4 is a bottom view thereof;
FIG. 5 is a side view thereof;
FIG. 6 is a front elevation view of the umbrella stand of the present invention in its folded configuration; and,
FIG. 7 is a side view of the umbrella stand configured as in FIG. 6.

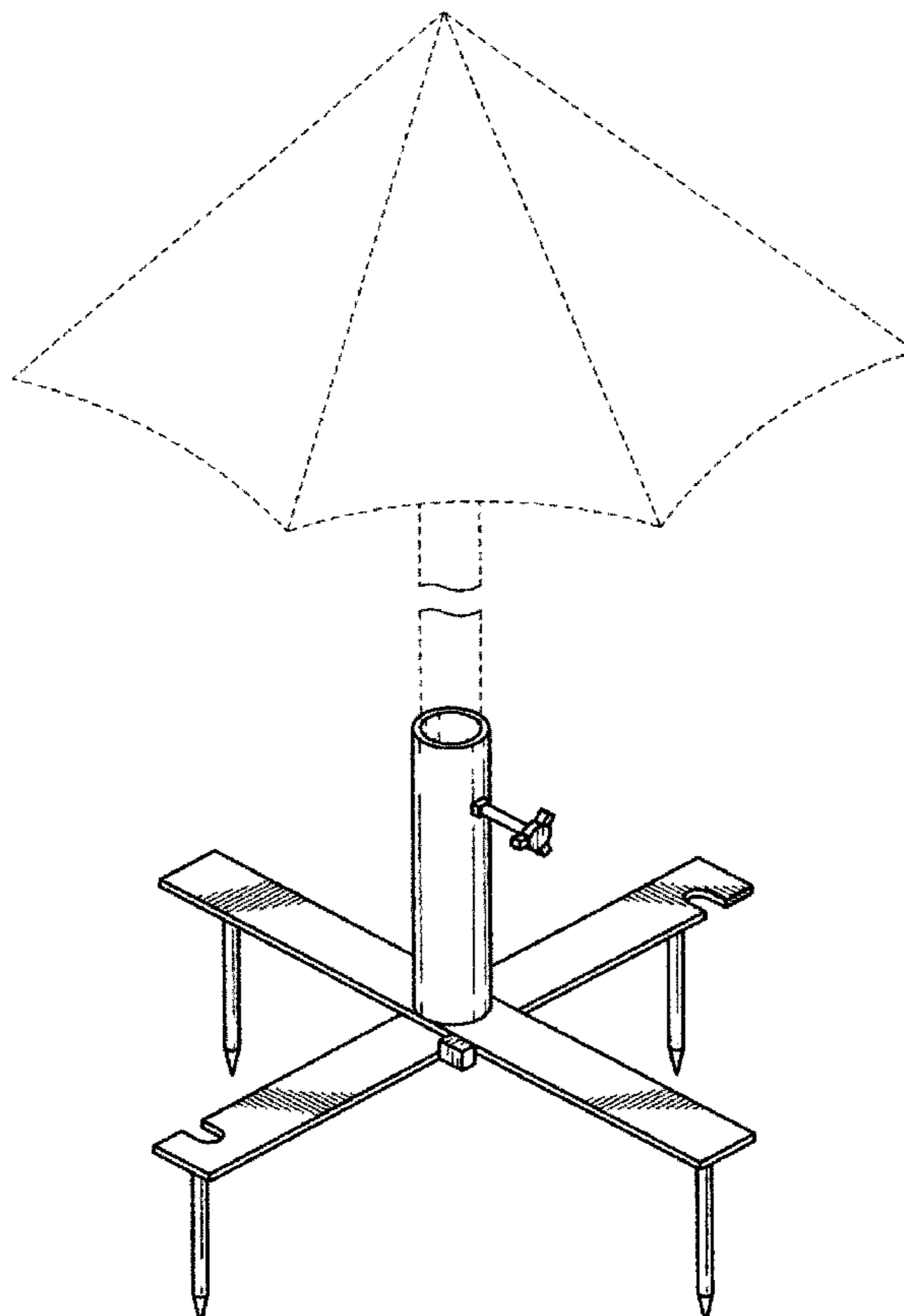
The broken lines shown in the drawings are directed to environment, and are for informational purposes only and form no part of the claimed design.

1 Claim, 6 Drawing Sheets

(56) **References Cited**

U.S. PATENT DOCUMENTS

- 2,554,887 A * 5/1951 Tricarico 248/545
- D347,948 S * 6/1994 McKnight D6/417
- D364,286 S * 11/1995 Loadholtz D6/417
- D366,600 S * 1/1996 Laskowski et al. D7/620
- D386,323 S * 11/1997 Davis D6/417
- D454,682 S * 3/2002 D'Andrea D3/10



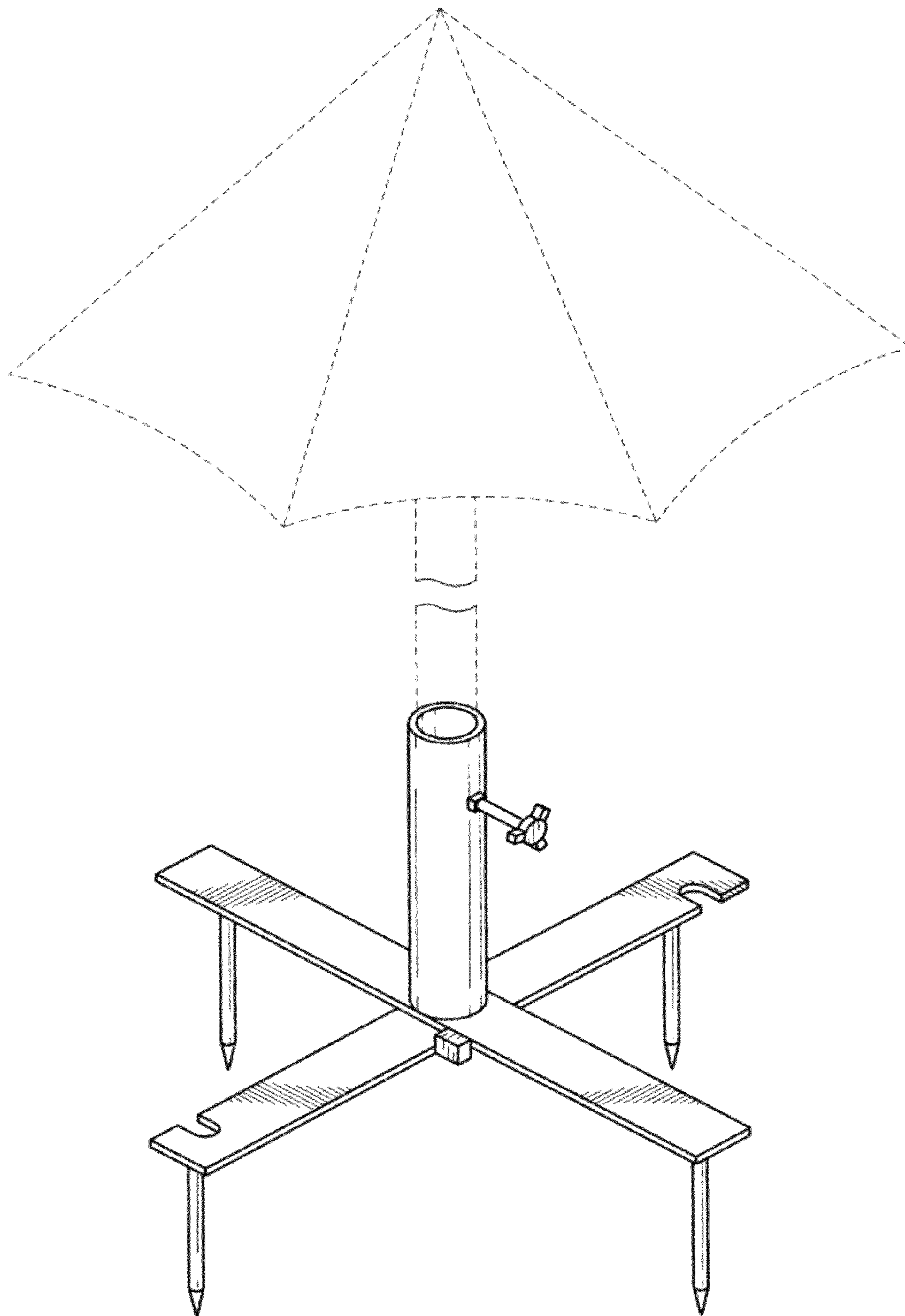


FIG. 1

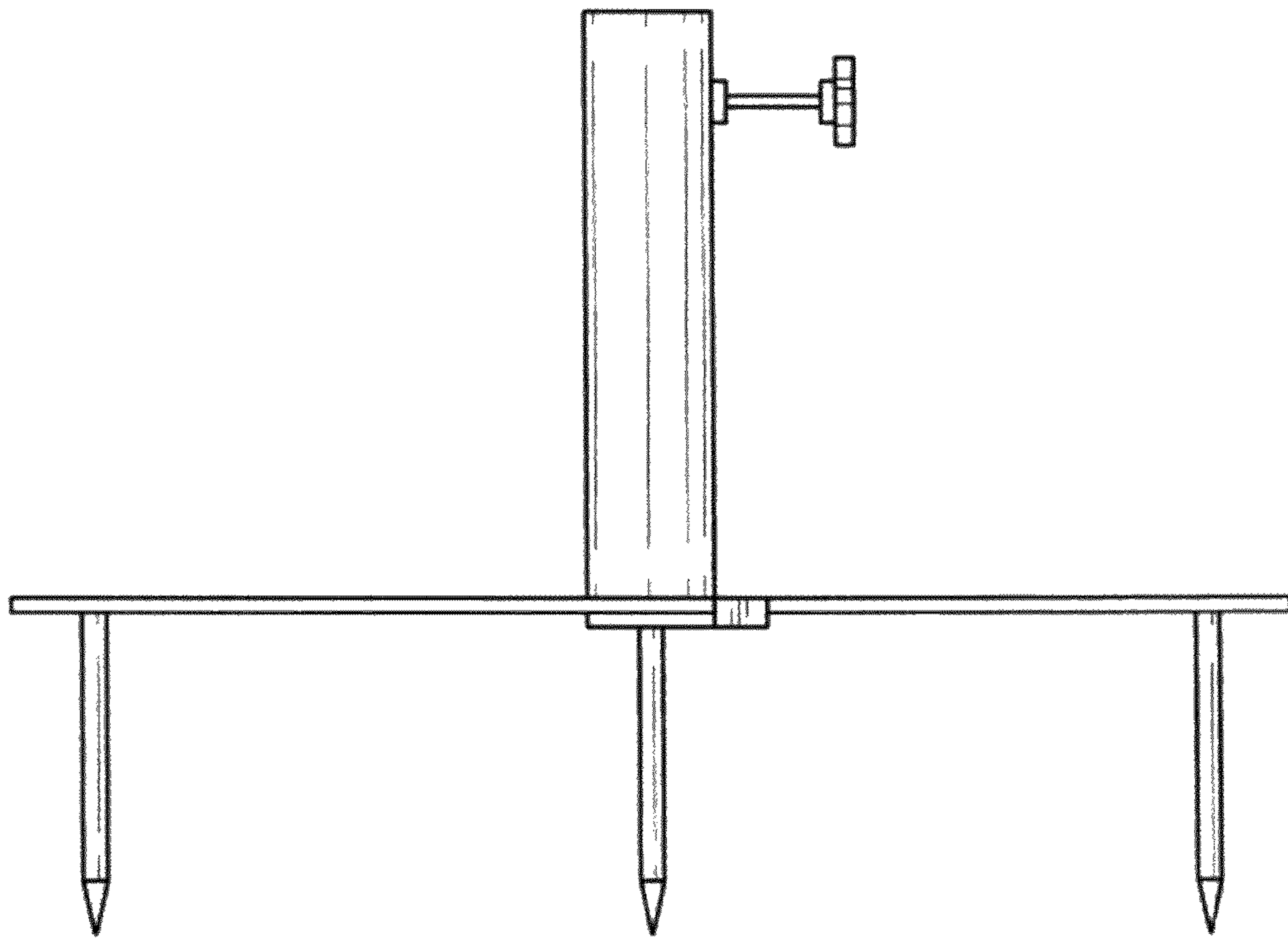


FIG. 2

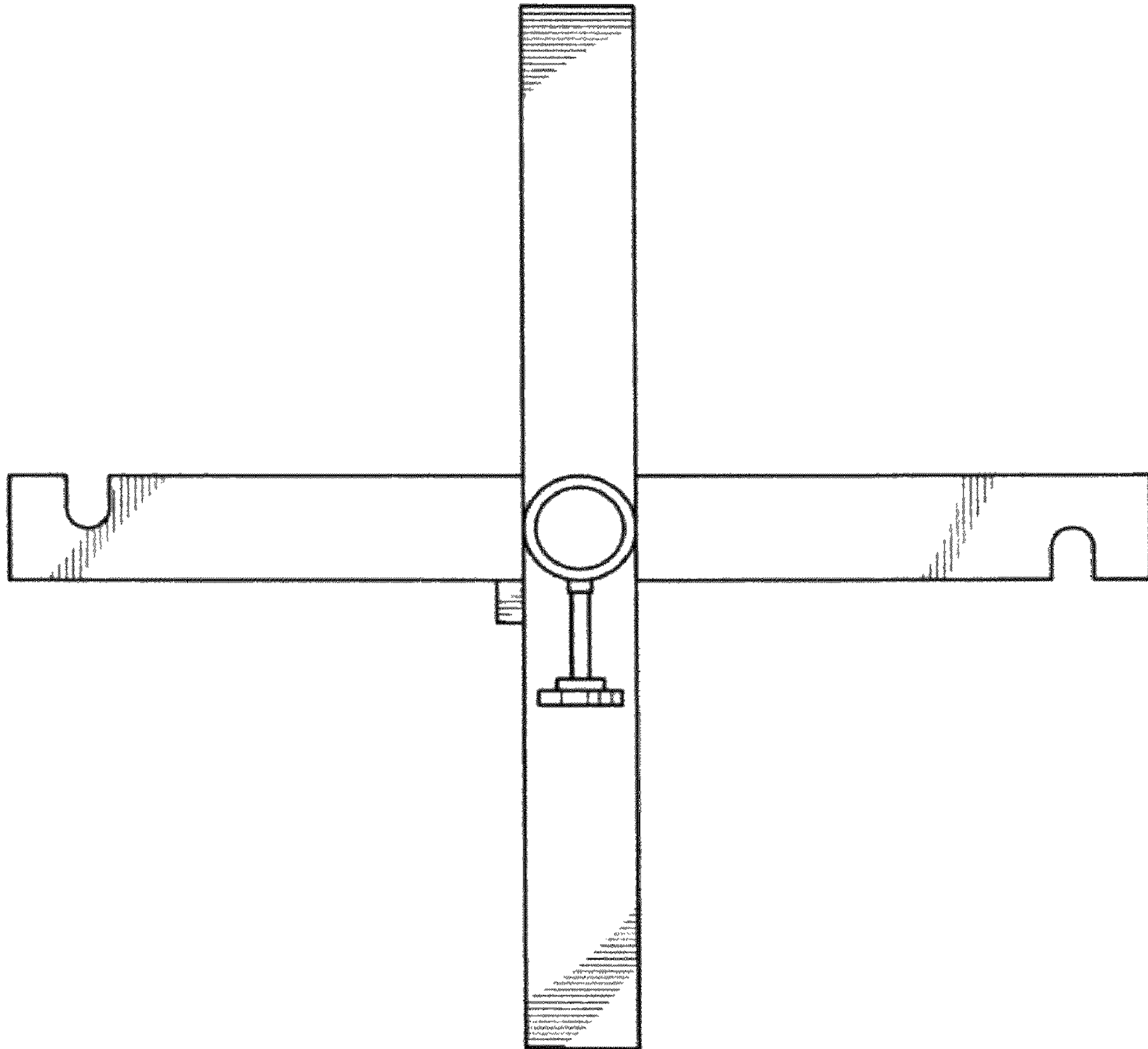


FIG. 3

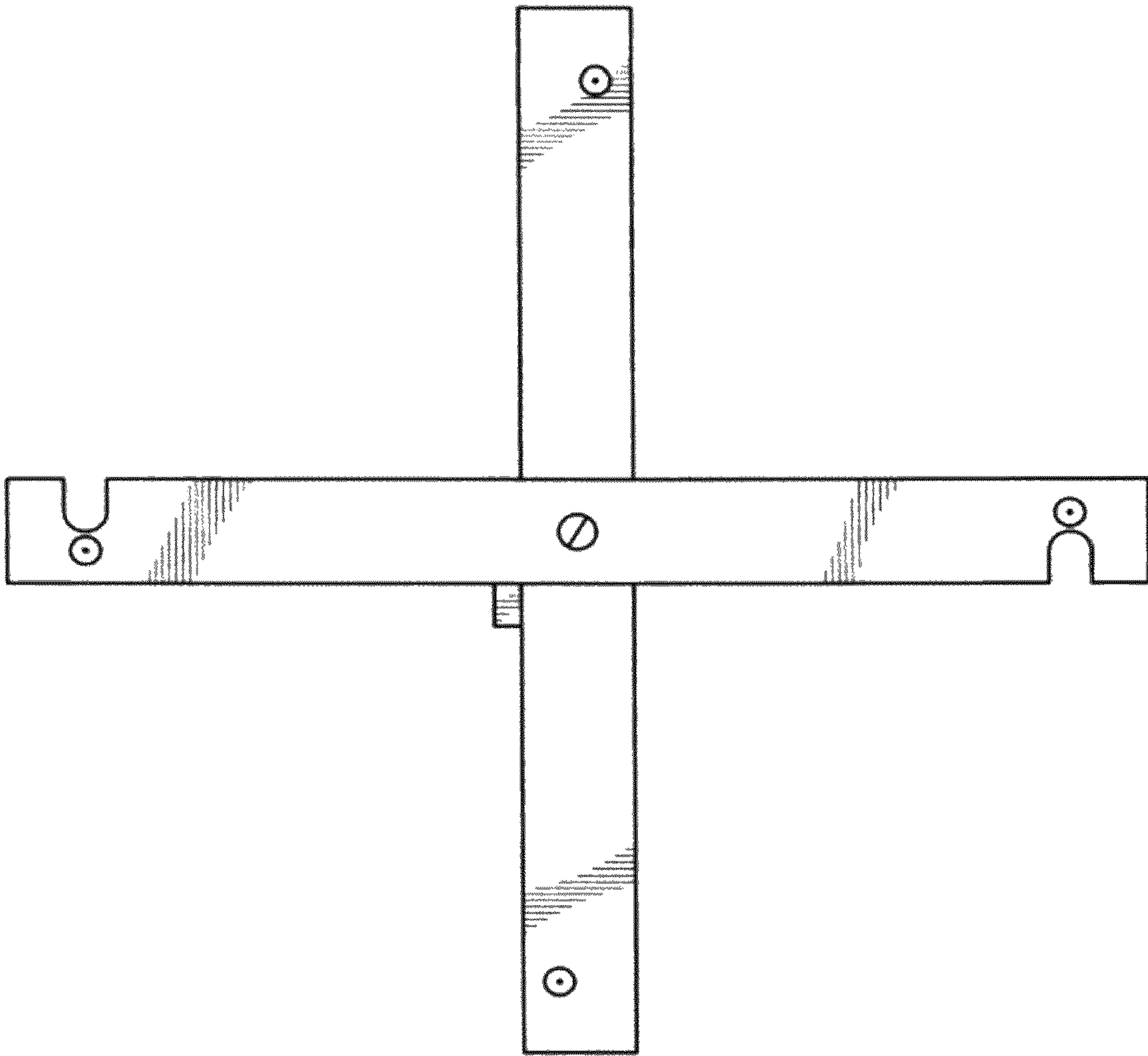


FIG. 4

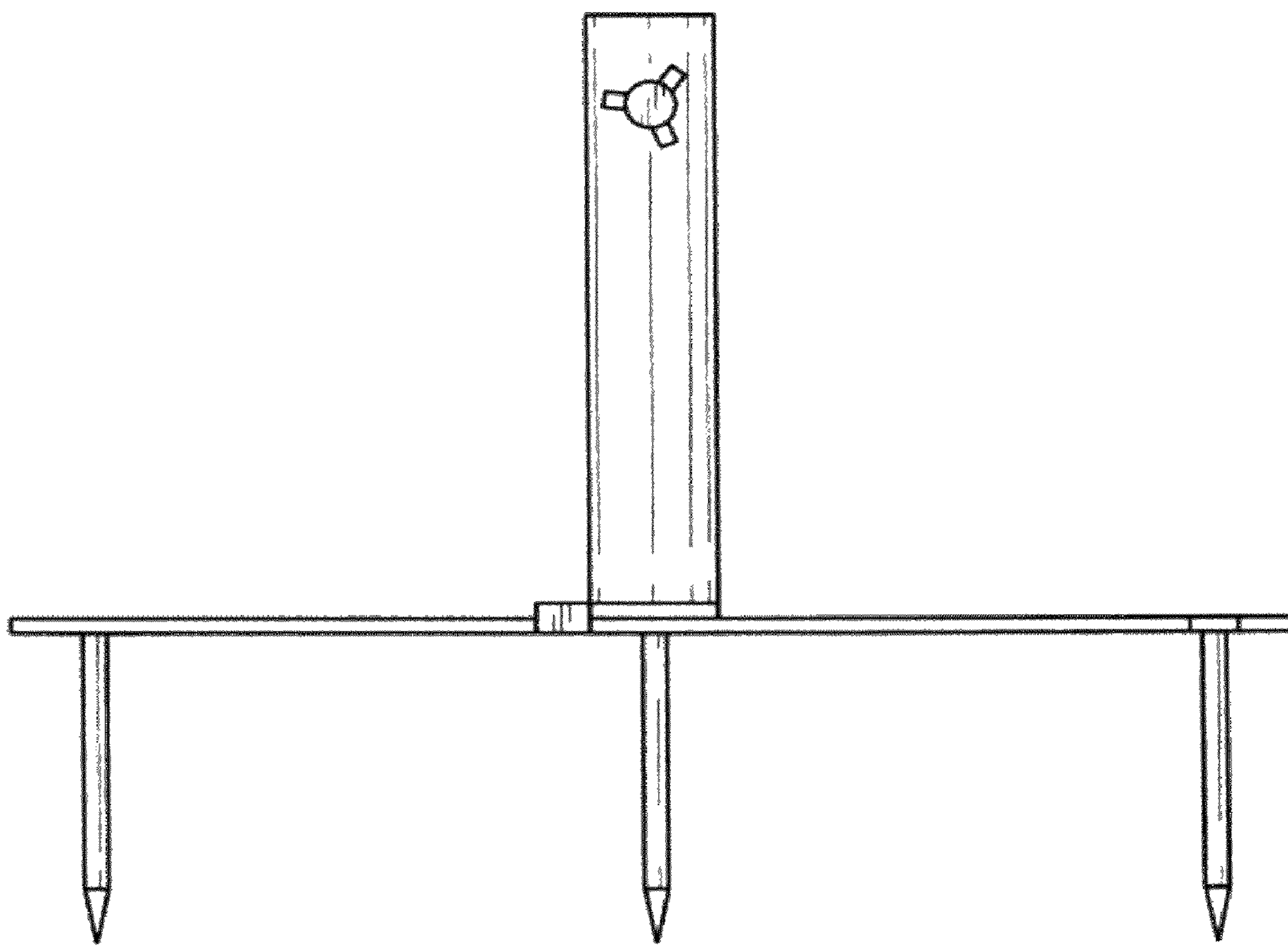


FIG. 5

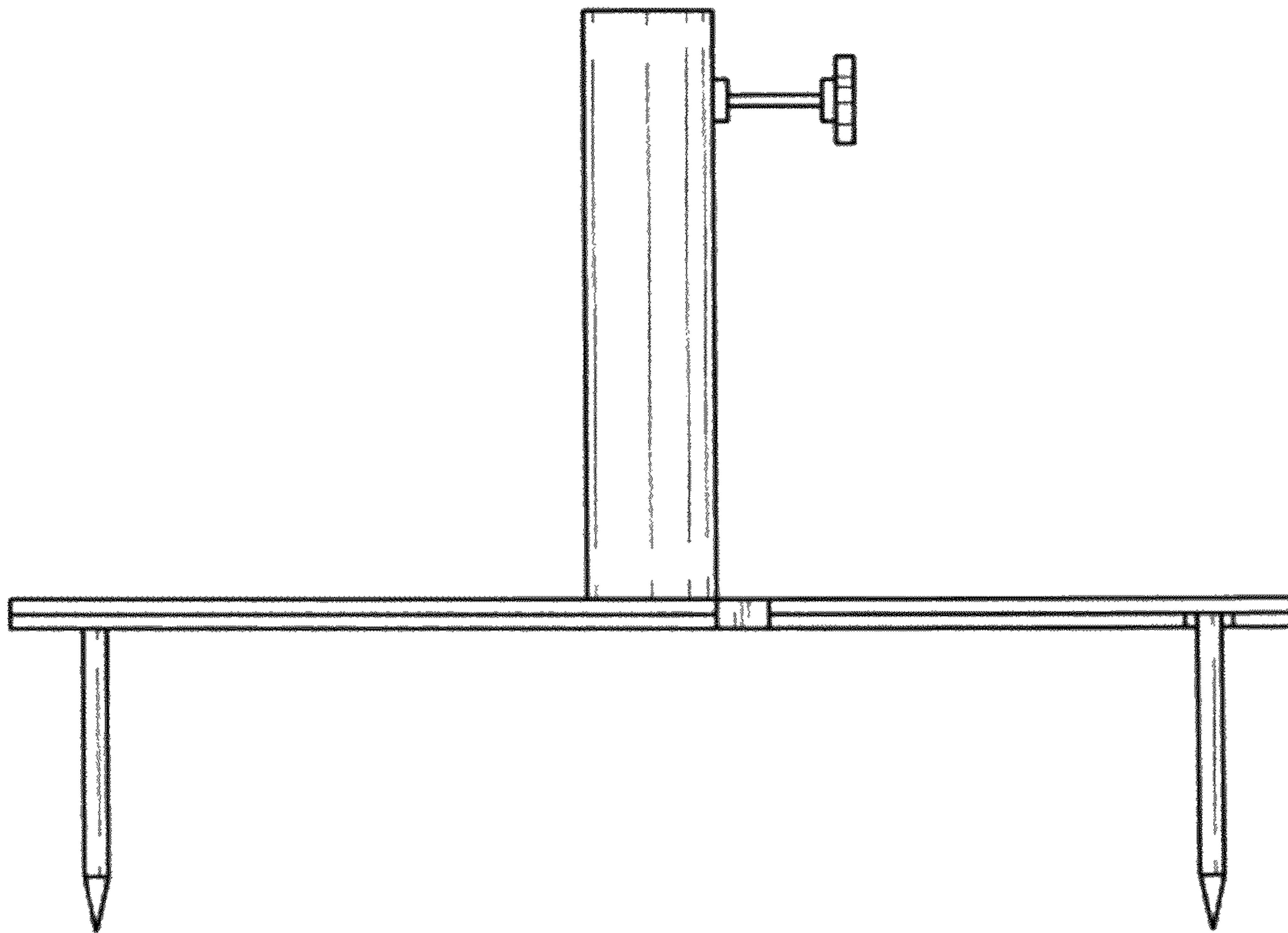


FIG. 6

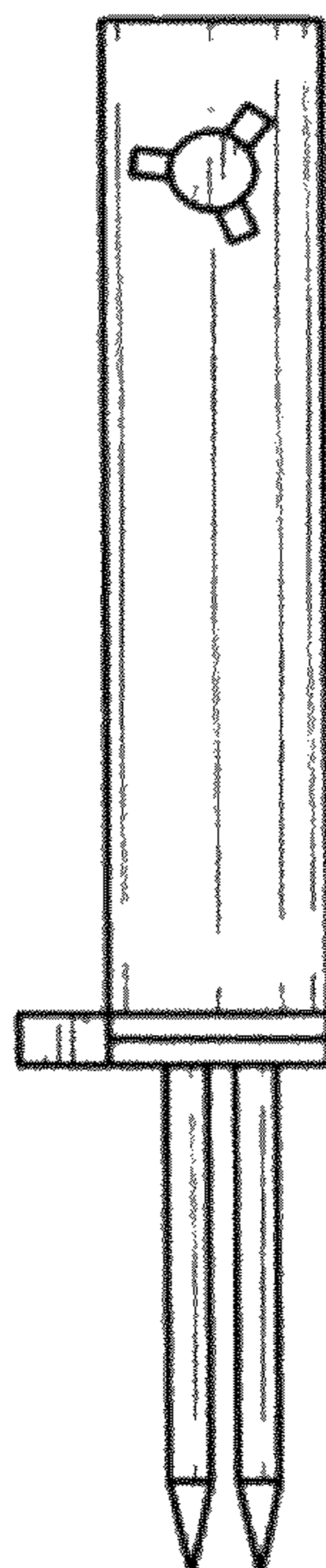


FIG. 7