



US00D655528S

(12) **United States Design Patent**
Neil

(10) **Patent No.:** **US D655,528 S**
(45) **Date of Patent:** **** Mar. 13, 2012**

(54) **CHAIR**

(75) Inventor: **Gary Neil, Mississauga (CA)**

(73) Assignee: **Allseating Corporation, Mississauga (CA)**

(**) Term: **14 Years**

(21) Appl. No.: **29/363,723**

(22) Filed: **Jun. 14, 2010**

(51) **LOC (9) Cl.** **06-01**

(52) **U.S. Cl.** **D6/379**

(58) **Field of Classification Search** D6/334-336,
D6/369, 370, 371-373, 374, 375, 376, 379,
D6/380, 499, 500-502; 297/239, 411.42,
297/411.43, 446.1, 451.9, 452.2, 452.29,
297/452.64, DIG. 2

See application file for complete search history.

(56) **References Cited**

U.S. PATENT DOCUMENTS

D513,669 S *	1/2006	Franks	D6/369
D540,559 S *	4/2007	Neil	D6/379
D587,477 S *	3/2009	Neil	D6/379
D594,668 S *	6/2009	Neil	D6/376

D597,332 S *	8/2009	Carmon	D6/369
D601,822 S *	10/2009	Neil	D6/379
D602,277 S *	10/2009	Neil	D6/379
D609,486 S *	2/2010	Lowsky	D6/369
D618,928 S *	7/2010	Carmon	D6/369
D648,556 S *	11/2011	Frinier	D6/369

* cited by examiner

Primary Examiner — Mimoso De

(74) *Attorney, Agent, or Firm* — Norton Rose Canada LLP

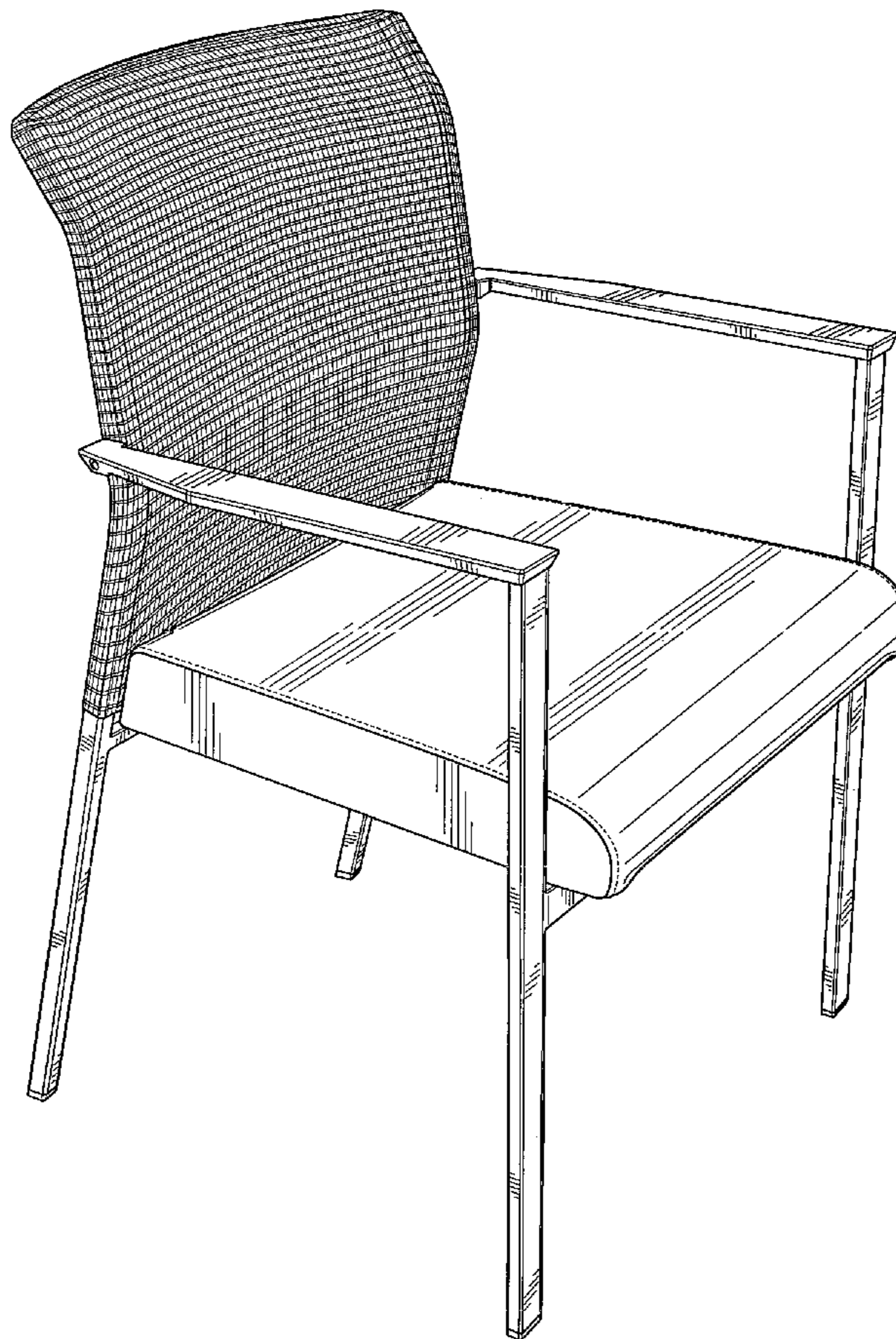
(57) **CLAIM**

The ornamental design for a chair, as shown and described.

DESCRIPTION

FIG. 1 is a front perspective view of the chair.
 FIG. 2 is a back perspective view of the chair.
 FIG. 3 is a right side view of the chair.
 FIG. 4 is a front plan view of the chair.
 FIG. 5 is a left side view of the chair.
 FIG. 6 is a back plan view of the chair.
 FIG. 7 is a top plan view of the chair; and,
 FIG. 8 is a bottom plan view of the chair.
 The short dashed lines shown on the seat cushion are understood to represent stitching.

1 Claim, 8 Drawing Sheets



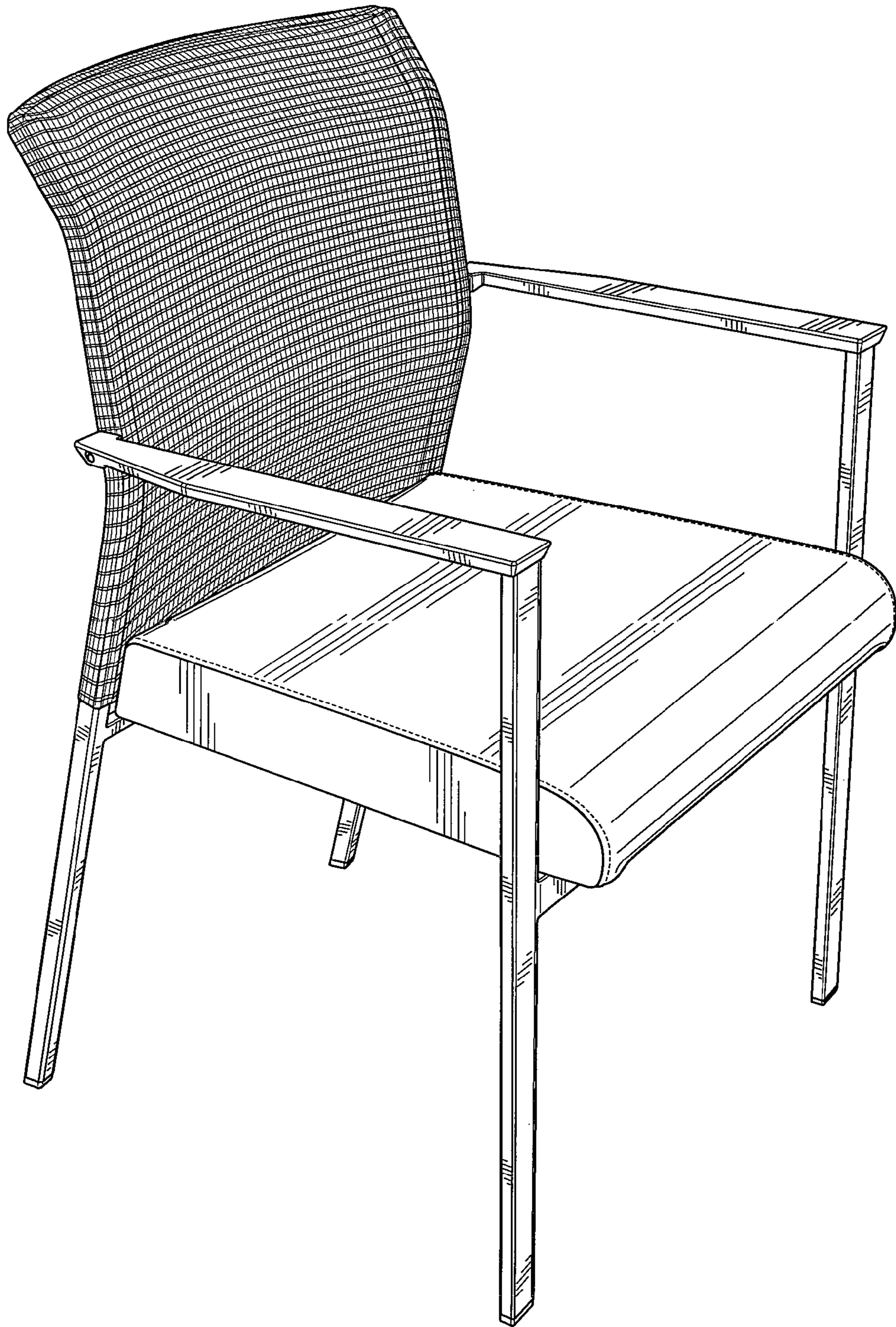


FIG. 1

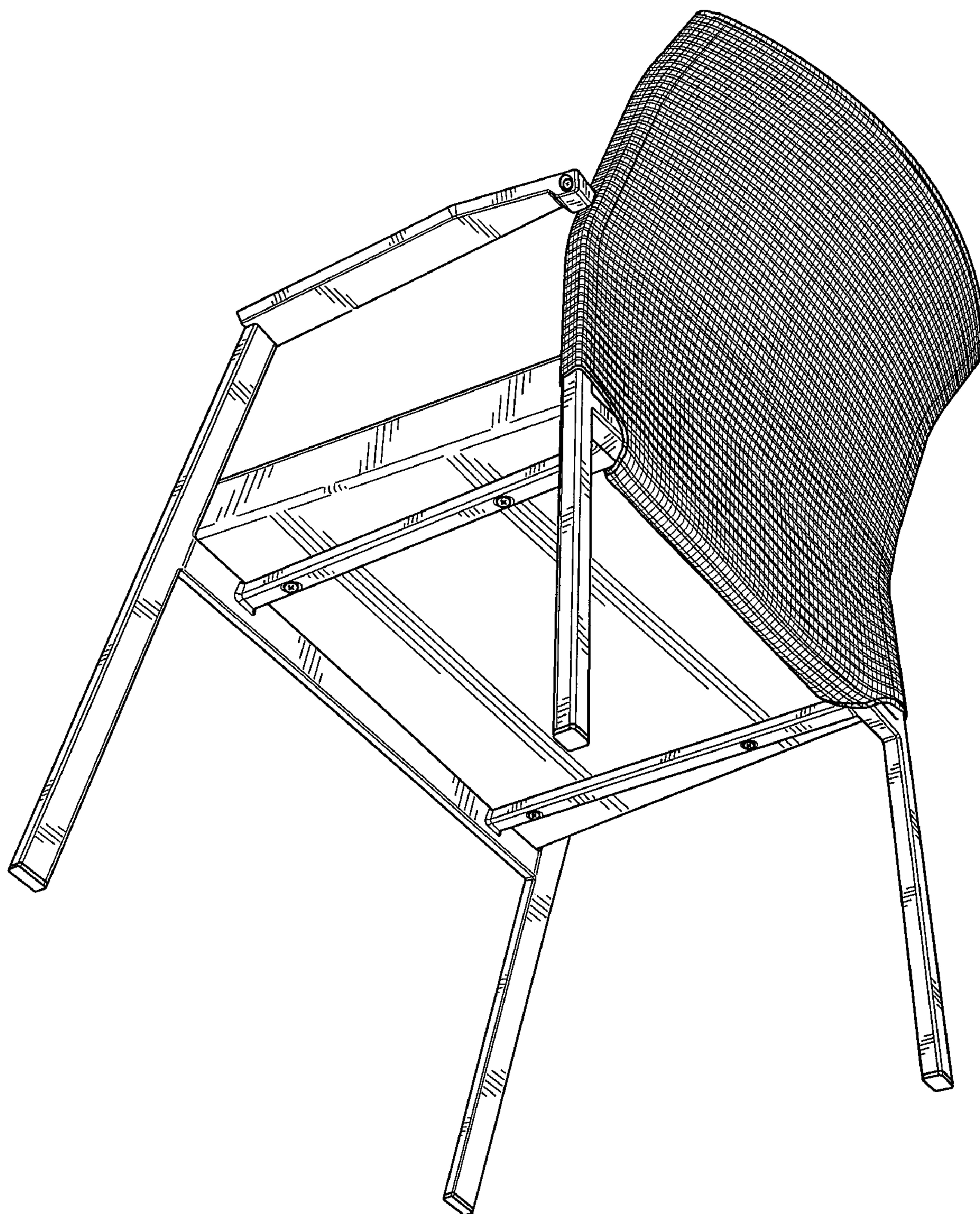


FIG. 2

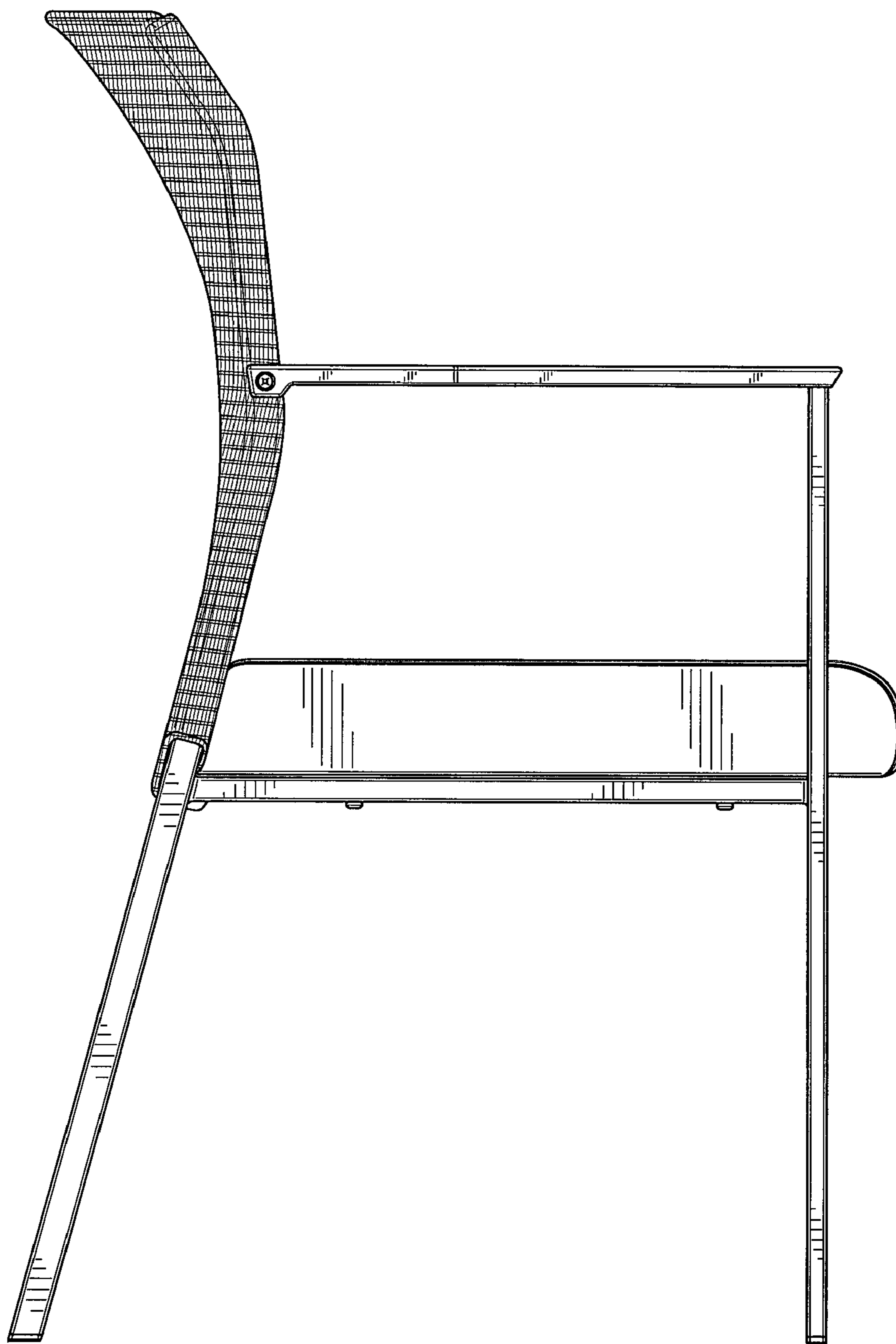


FIG. 3

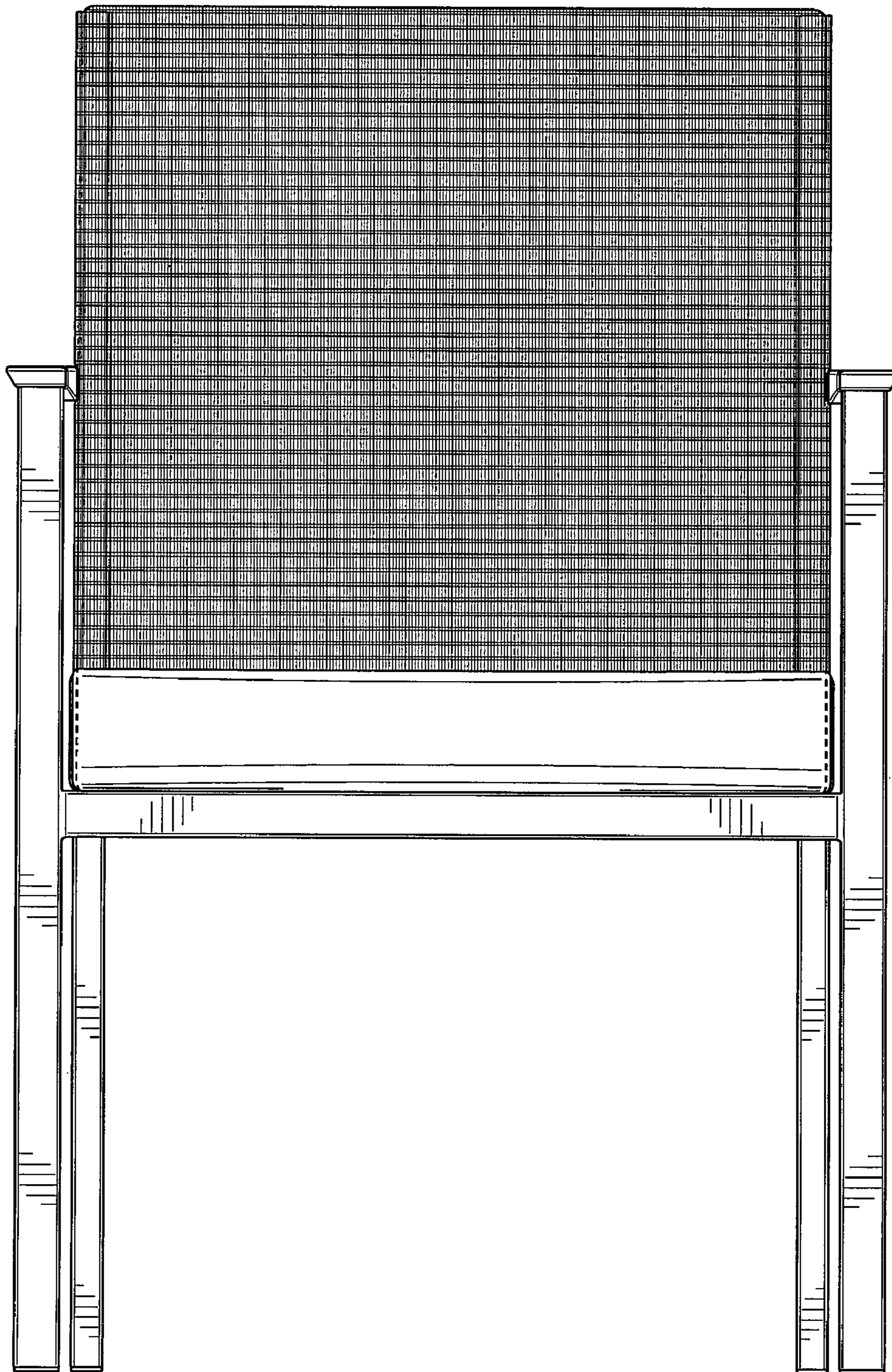


FIG. 4

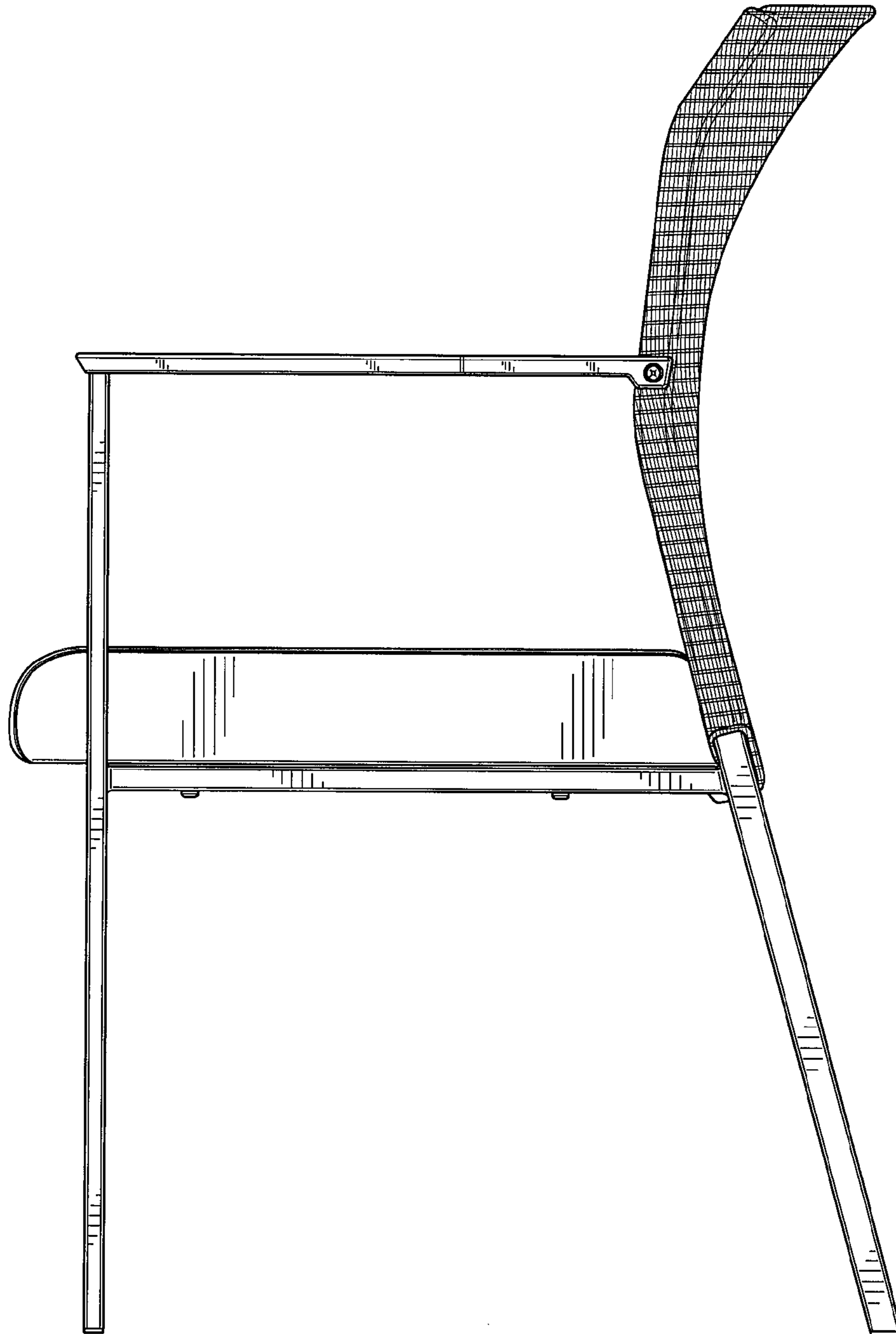


FIG. 5

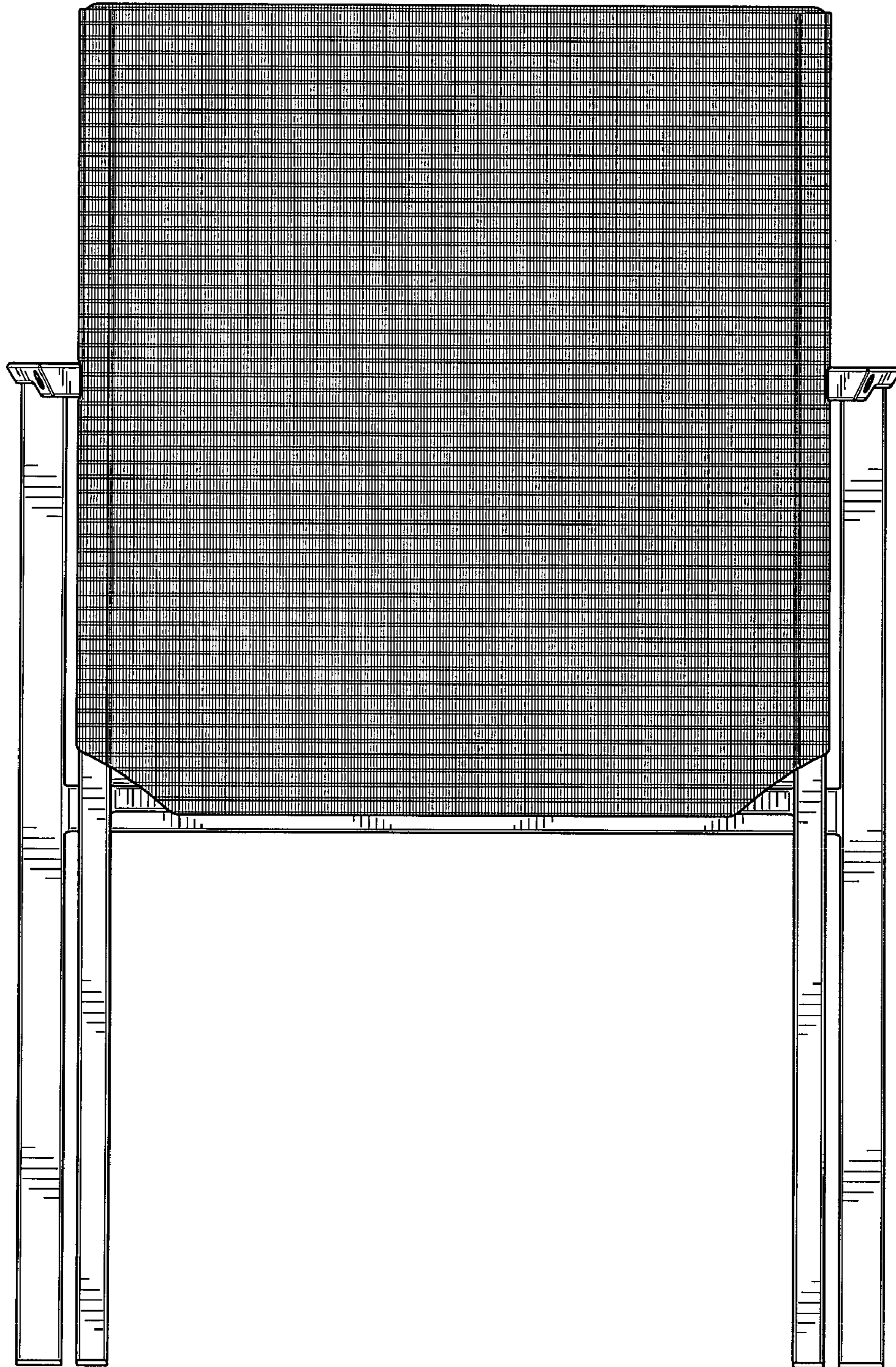


FIG. 6

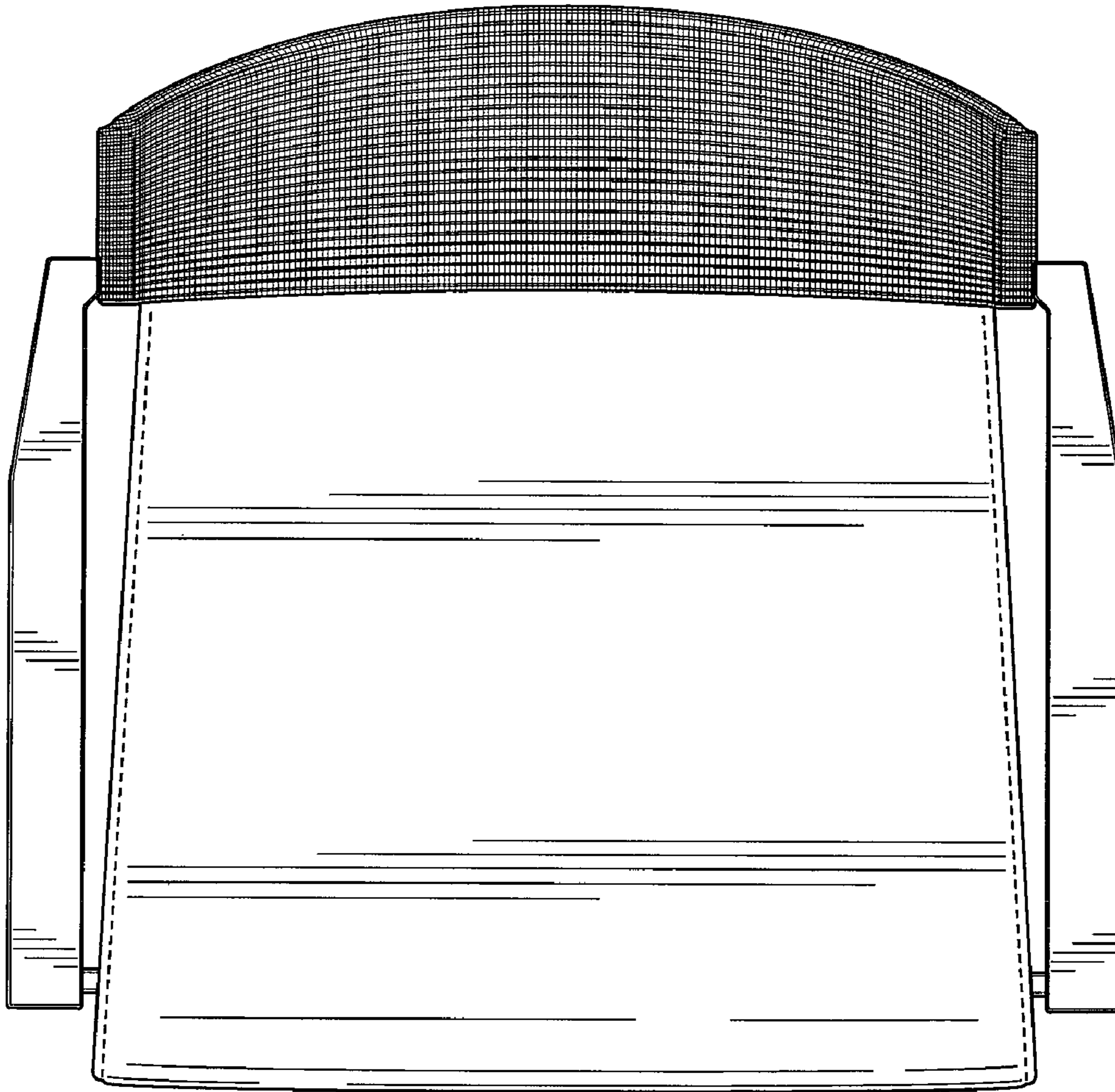


FIG. 7

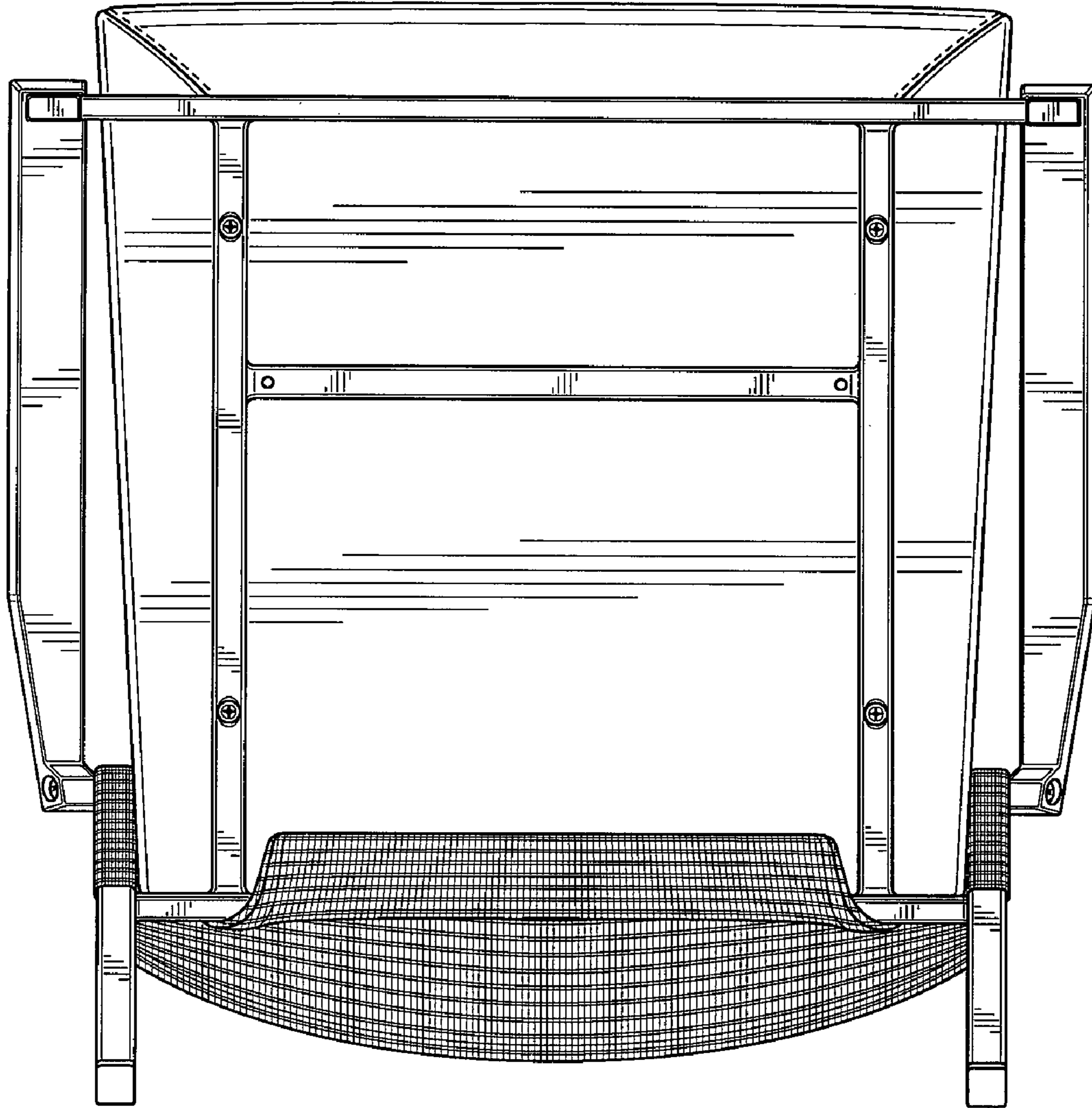


FIG. 8