



US00D65526S

(12) **United States Design Patent**
Yeung Ka Fei

(10) **Patent No.:** **US D655,526 S**
(45) **Date of Patent:** **** Mar. 13, 2012**

(54) **ARMCHAIR**

(75) Inventor: **Michael Yeung Ka Fei**, Hong Kong
(CN)

(73) Assignee: **Halo Asia Limited**, Central (HK)

(**) Term: **14 Years**

(21) Appl. No.: **29/366,649**

(22) Filed: **Jul. 28, 2010**

(30) **Foreign Application Priority Data**

Feb. 24, 2010 (HK) 1000323

(51) **LOC (9) Cl.** **06-01**

(52) **U.S. Cl.** **D6/371**

(58) **Field of Classification Search** D6/334-336,
D6/371, 372, 373, 374, 375, 381, 492, 500-502;
297/411.42, 411.45, 411.46, 445.1, 446.1,
297/448.1, 448.2, 452.48

See application file for complete search history.

(56) **References Cited**

U.S. PATENT DOCUMENTS

D206,713 S * 1/1967 Durko D6/334
D258,627 S * 3/1981 Halme D6/371
D274,871 S * 7/1984 Matthias D6/372

D284,812 S * 7/1986 Culler D6/371
D284,814 S * 7/1986 Culler D6/375
D434,233 S * 11/2000 Frankel et al. D6/334
D506,079 S * 6/2005 Ricci D6/334
D596,414 S * 7/2009 Natuzzi D6/334

* cited by examiner

Primary Examiner — Mimoso De

(74) *Attorney, Agent, or Firm* — Nixon Peabody LLP;
Jeffrey L. Costellia

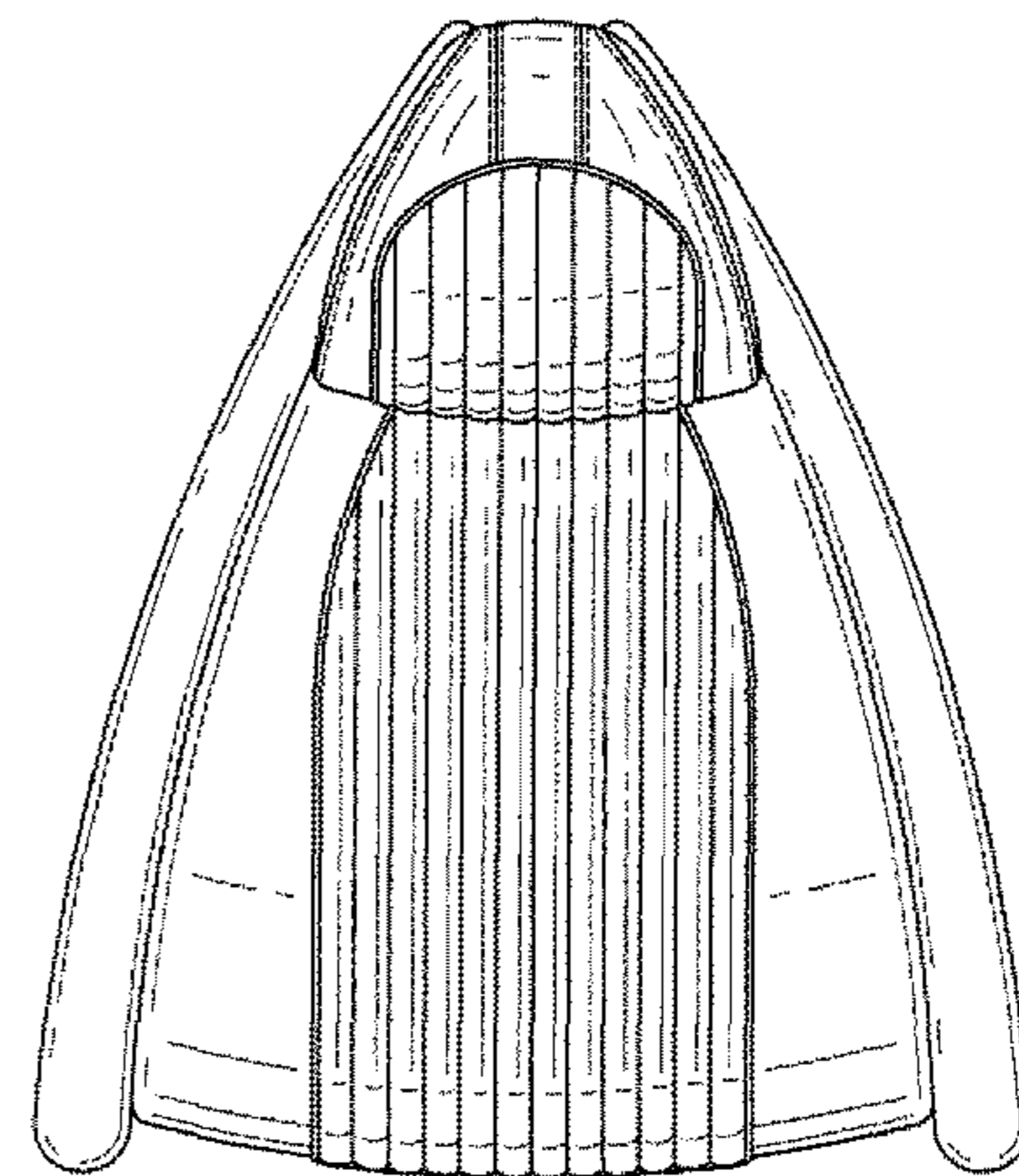
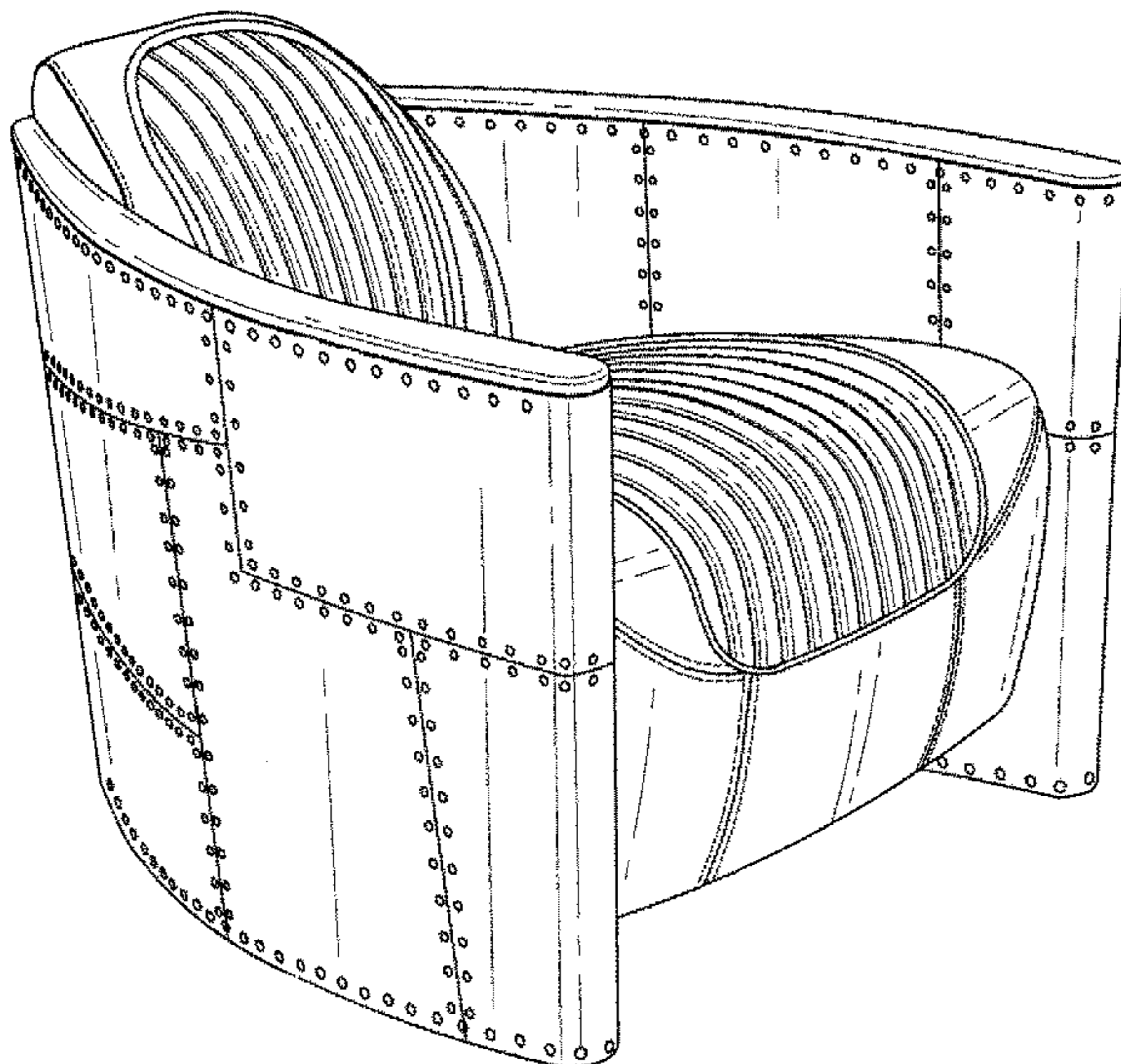
(57) **CLAIM**

I claim the ornamental design for an armchair, as shown and described.

DESCRIPTION

FIG. 1 is a front perspective view of an armchair.
FIG. 2 is a right side view shown in FIG. 1.
FIG. 3 is a left side view shown in FIG. 1
FIG. 4 is a front view shown in FIG. 1
FIG. 5 is a top view shown in FIG. 1
FIG. 6 is a rear view shown in FIG. 1; and,
FIG. 7 is a bottom view shown in FIG. 1.
The short even dashed lines shown along the seam lines on the backrest and seat are understood to represent stitching.
The broken lines showing of the four circular members, beneath the armrest panels in FIGS. 2-7, are for illustrative purposes only and form no part of the claimed design.

1 Claim, 4 Drawing Sheets



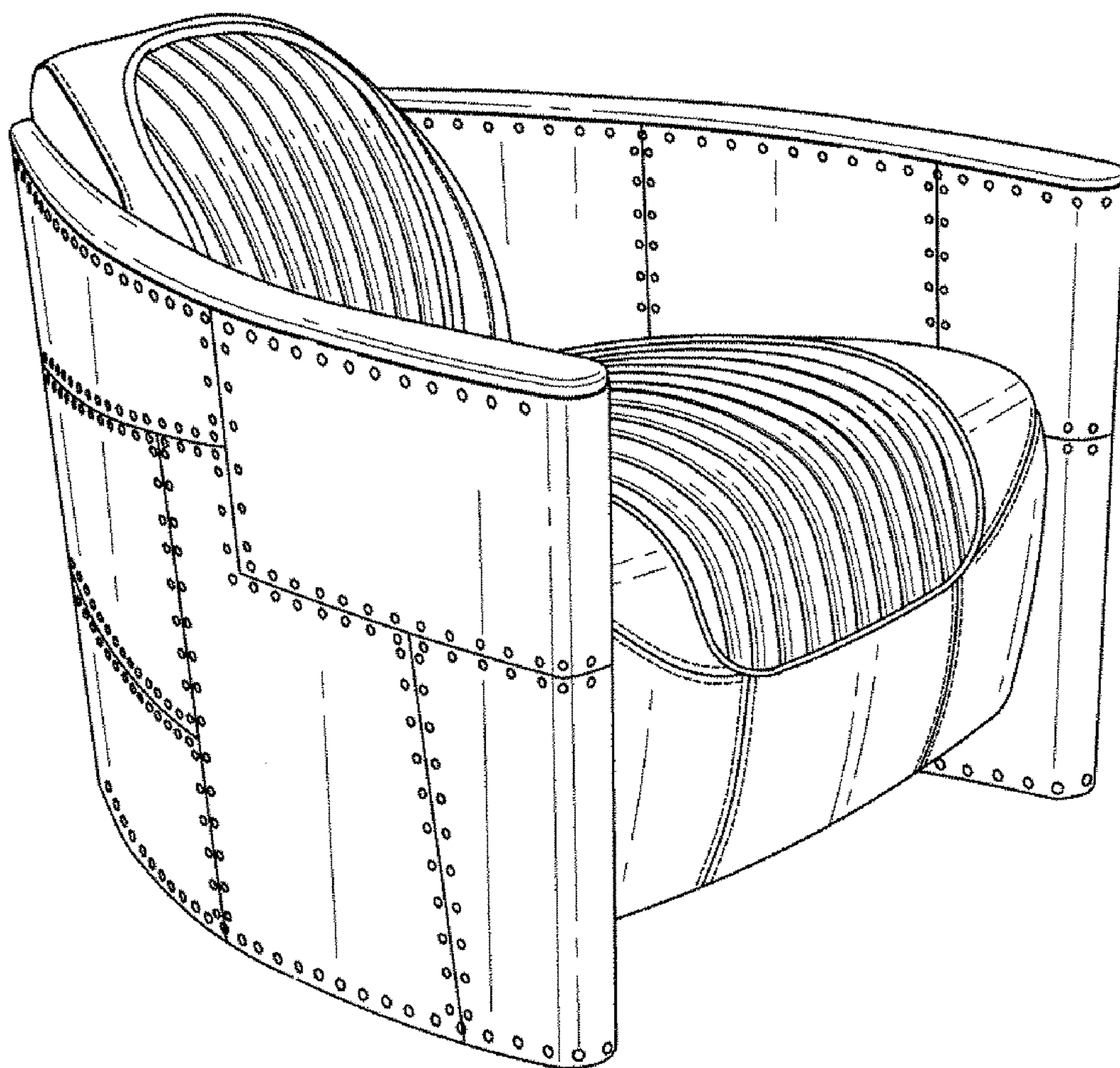


FIG. 1

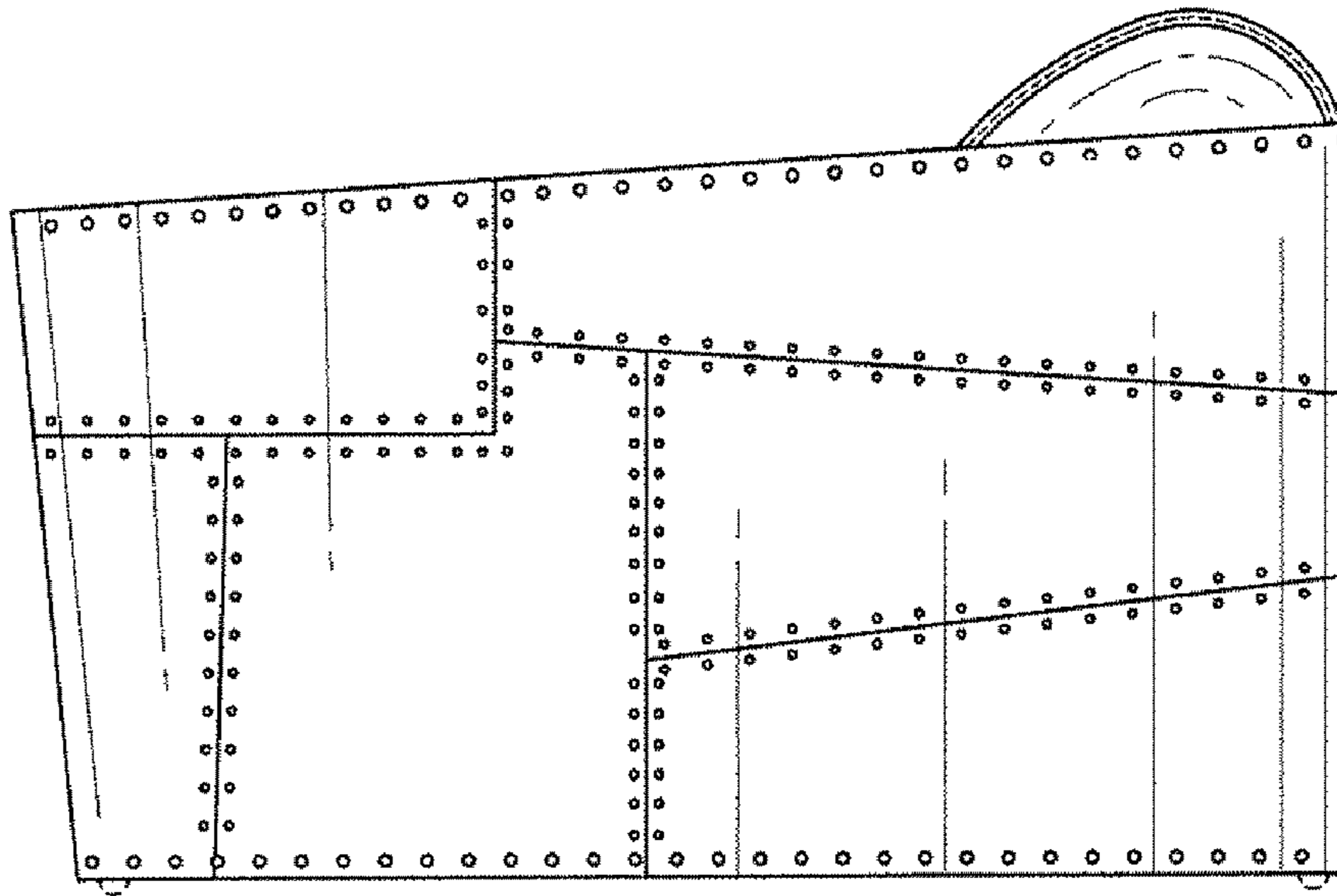


FIG. 2

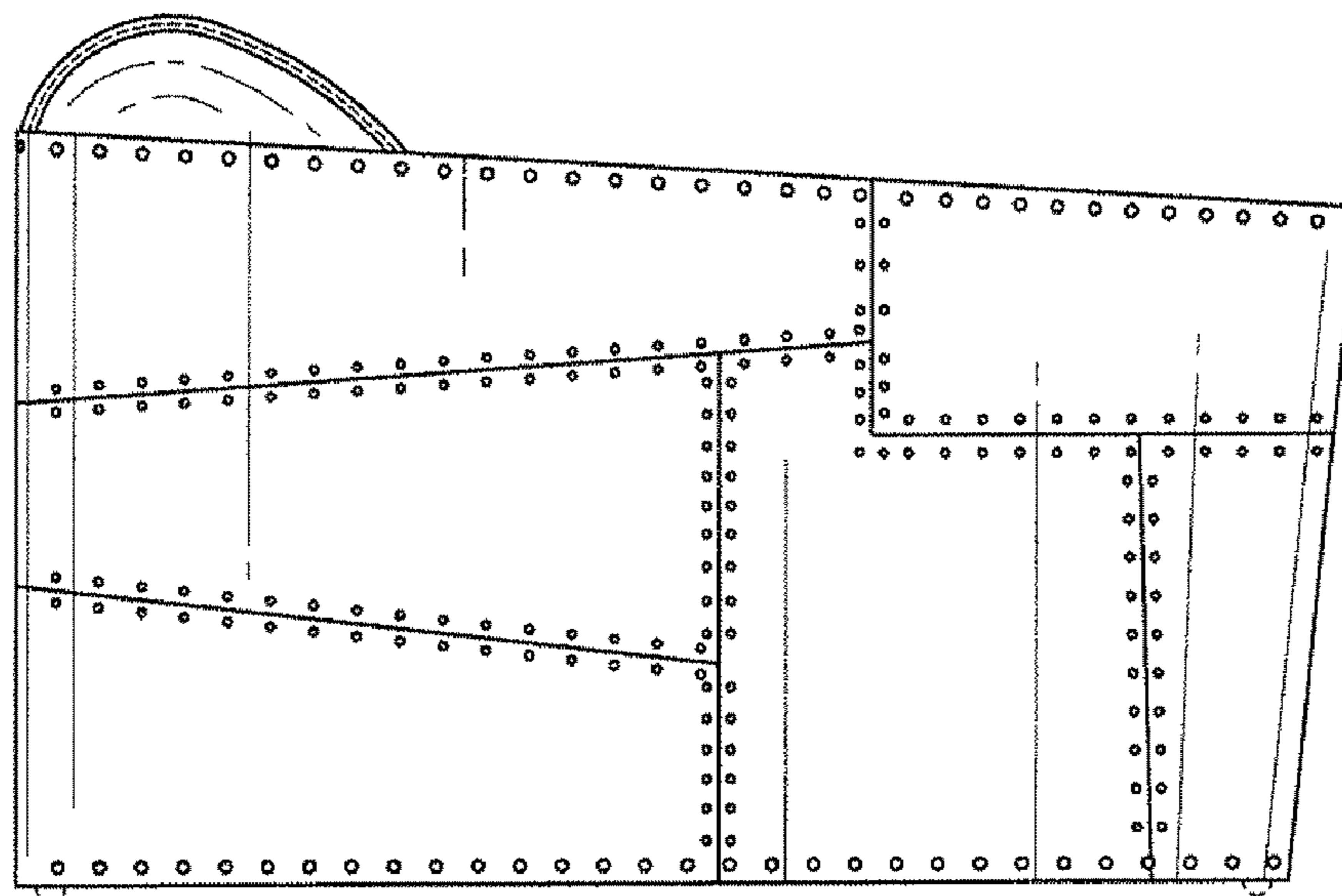


FIG. 3

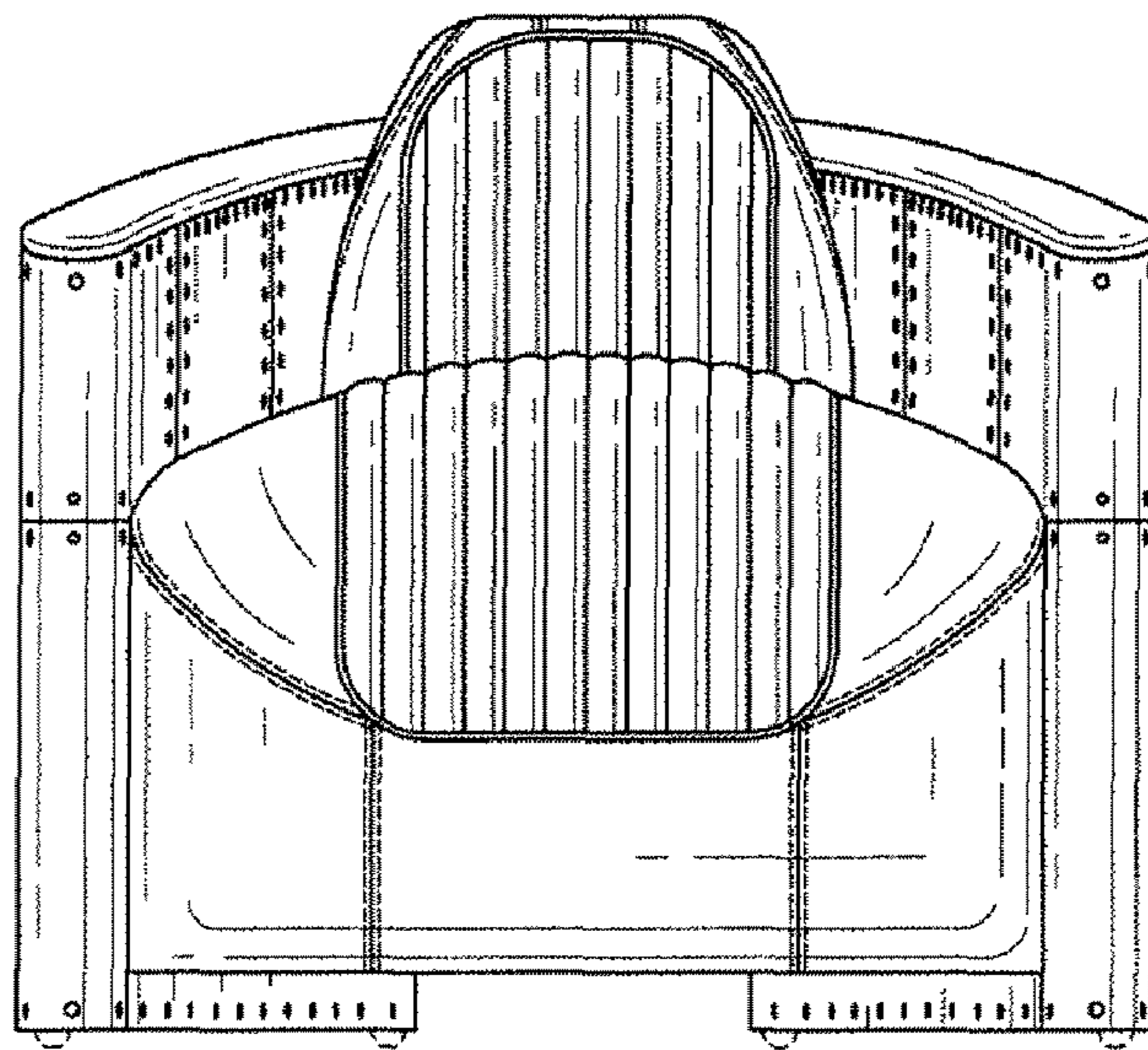


FIG. 4

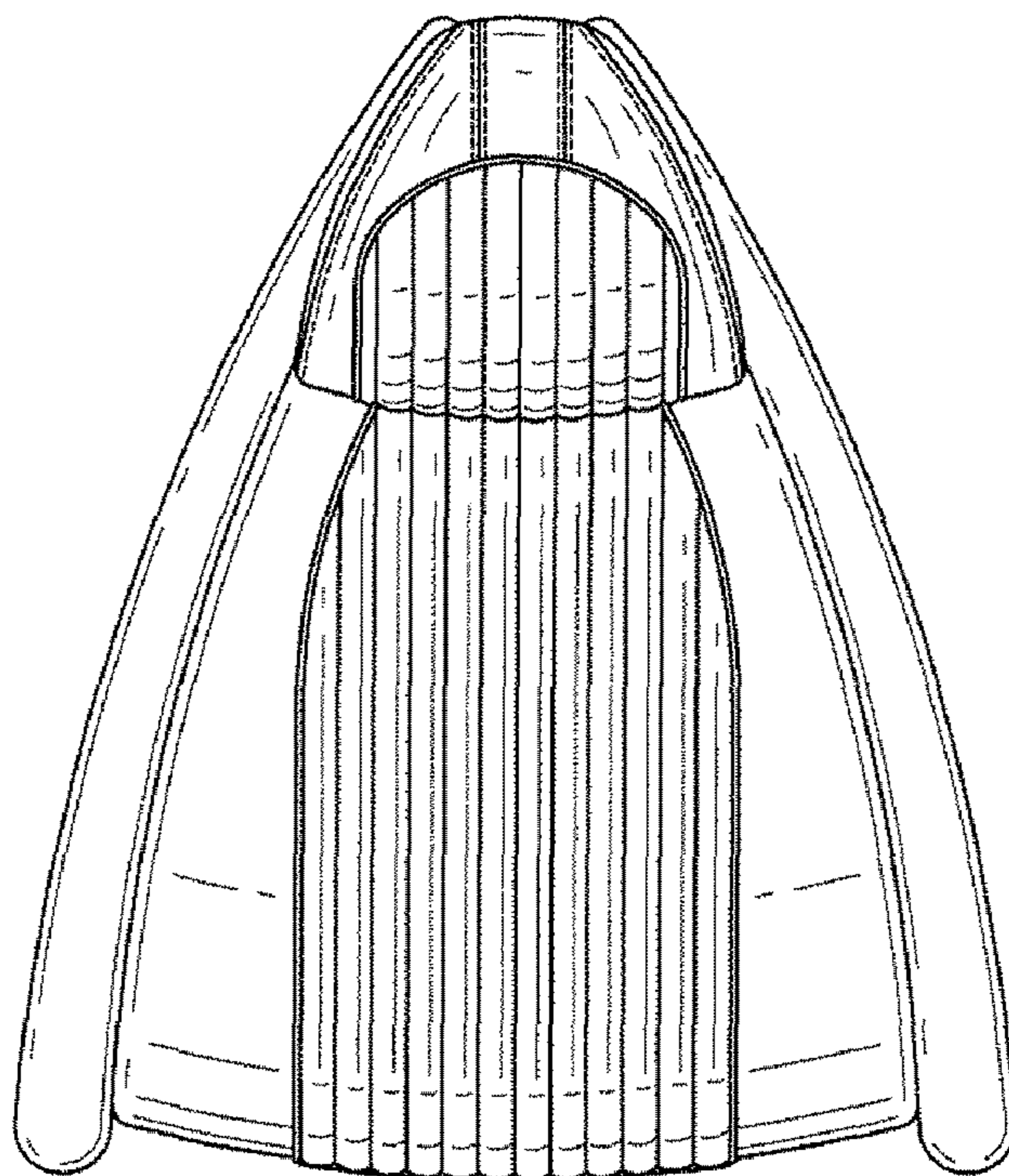


FIG. 5

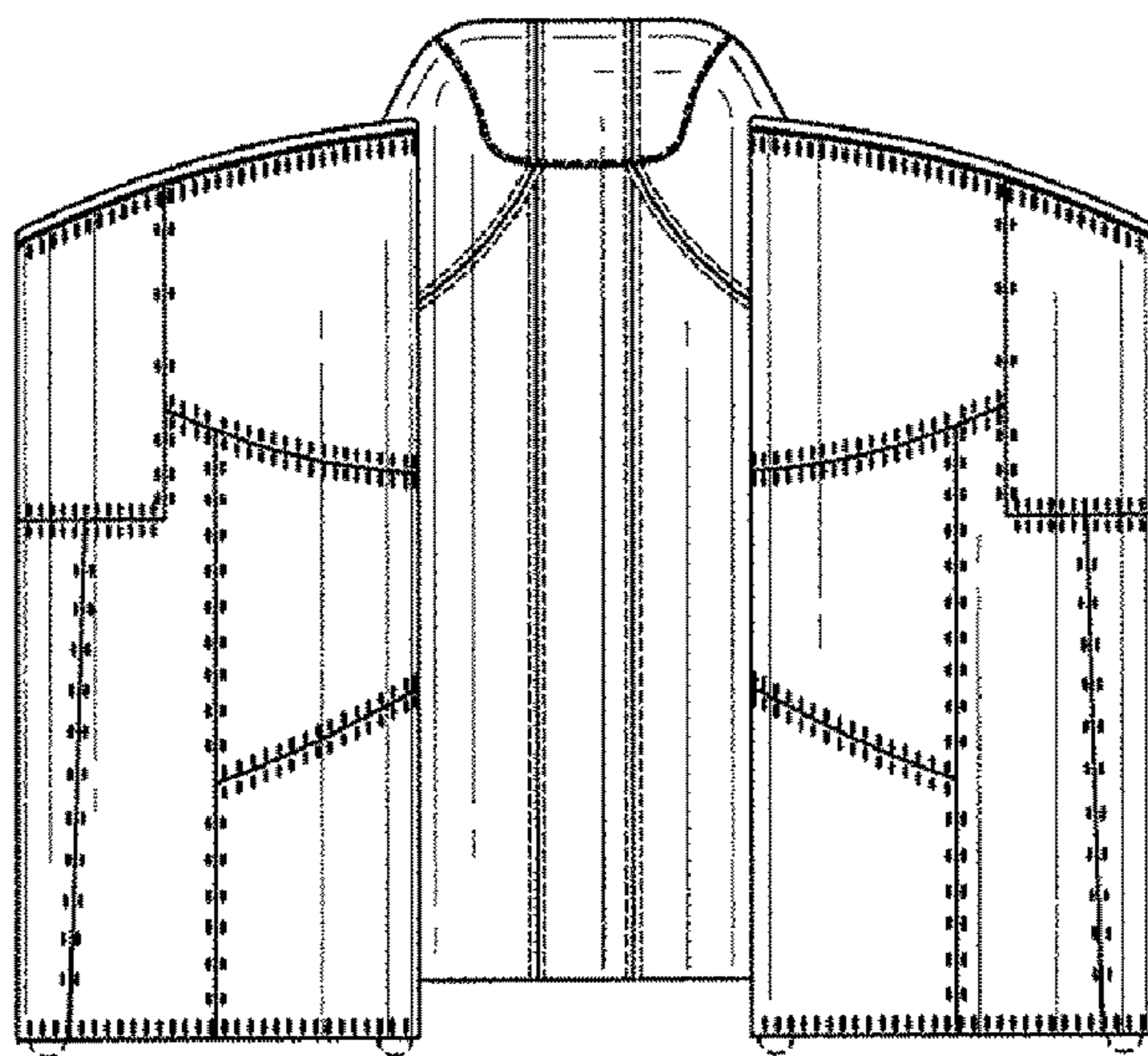


FIG. 6

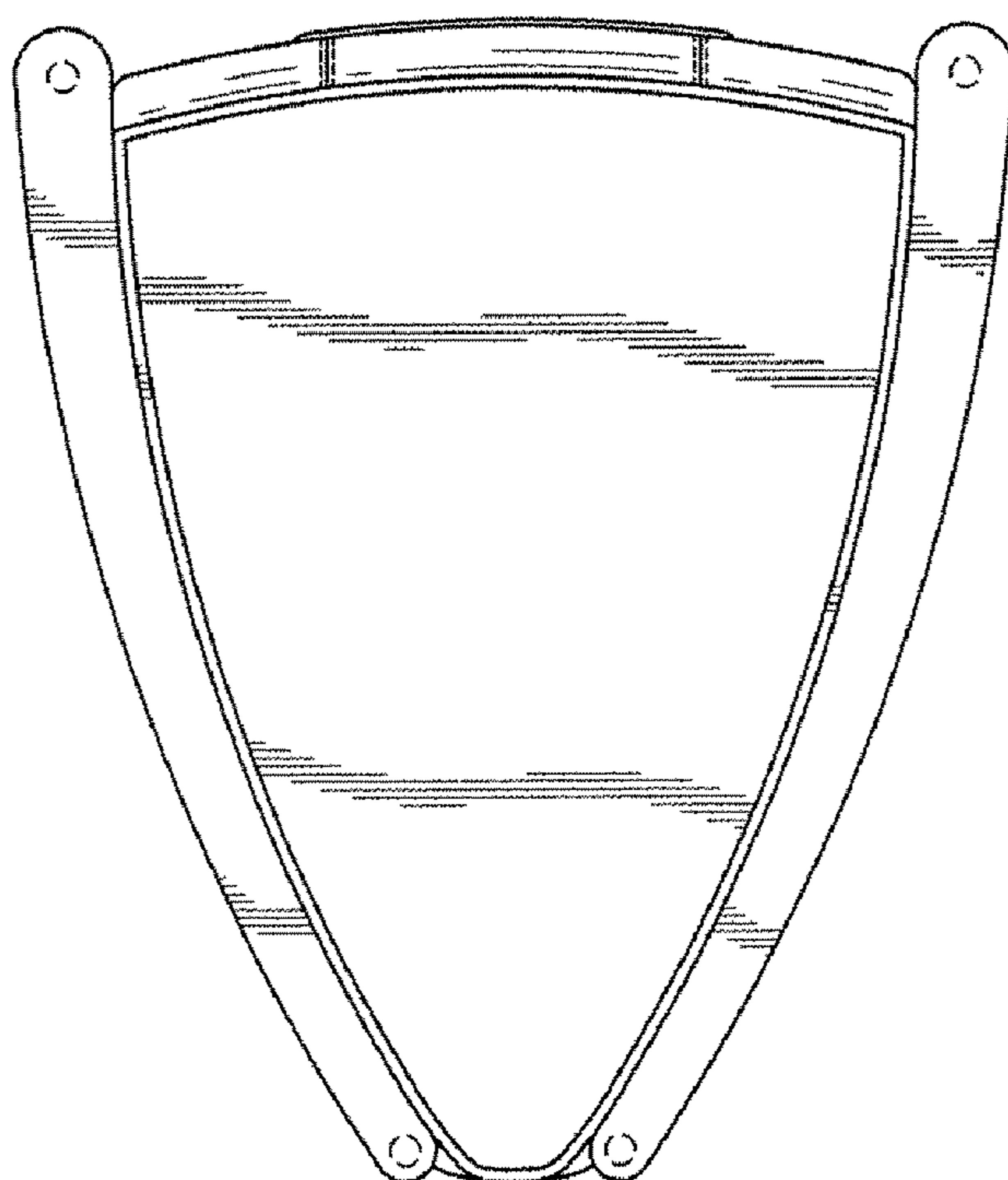


FIG. 7