



US00D655524S

(12) **United States Design Patent**
Kim

(10) **Patent No.:** **US D655,524 S**
(45) **Date of Patent:** **** Mar. 13, 2012**

- (54) **SWIVEL CHAIR**
- (75) Inventor: **Sang Hyun Kim**, Gyeonggi-do (KR)
- (73) Assignee: **Sidiz, Inc.** (KR)
- (**) Term: **14 Years**
- (21) Appl. No.: **29/363,780**
- (22) Filed: **Jun. 14, 2010**
- (51) **LOC (9) Cl.** **06-01**
- (52) **U.S. Cl.** **D6/366**
- (58) **Field of Classification Search** D6/334-336,
D6/364, 365, 366, 367, 374, 379, 500-502;
297/393, 396, 411.2, 411.27, 452.21, 452.26,
297/452.29, 452.32, 452.35, 452.48
See application file for complete search history.

(56) **References Cited**

U.S. PATENT DOCUMENTS

- D436,260 S * 1/2001 Nagamitsu D6/366
- D497,264 S * 10/2004 Aubriet et al. D6/366

- D523,252 S * 6/2006 Rodriguez Leitao D6/366
- D554,877 S * 11/2007 Tsai D6/366
- D634,558 S * 3/2011 Deisig D6/366

* cited by examiner

Primary Examiner — Mimoso De

(74) *Attorney, Agent, or Firm* — Rabin & Berdo, PC

(57) **CLAIM**

The ornamental design for a swivel chair, as shown and described.

DESCRIPTION

FIG. 1 is a perspective view of a swivel chair showing my new design;
 FIG. 2 is a front plan view thereof;
 FIG. 3 is a rear plan view thereof;
 FIG. 4 is a left side plan view thereof;
 FIG. 5 is a right side plan view thereof;
 FIG. 6 is a top plan view thereof; and,
 FIG. 7 is a bottom plan view thereof.

1 Claim, 7 Drawing Sheets

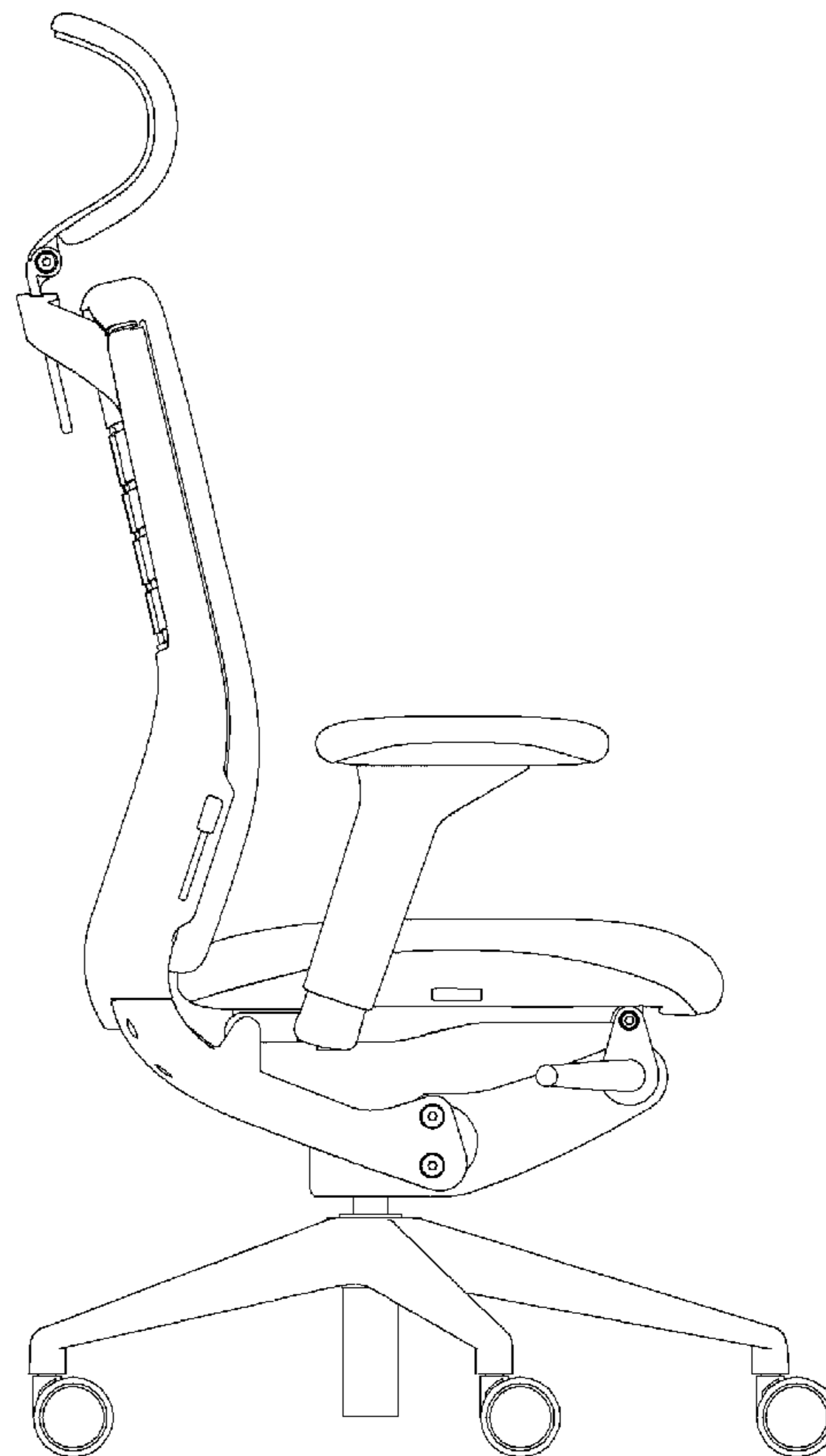
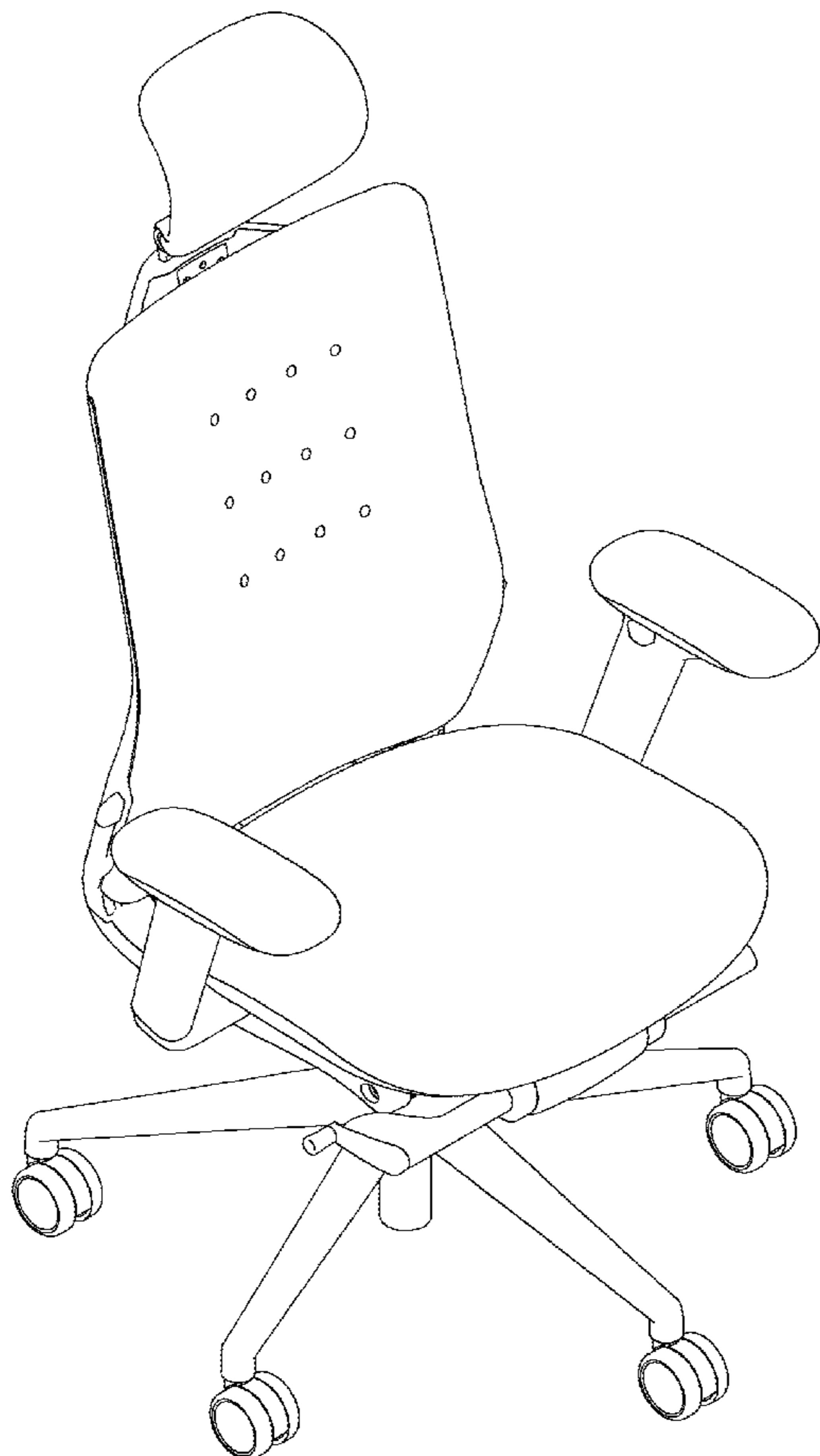


FIG. 1



FIG. 2

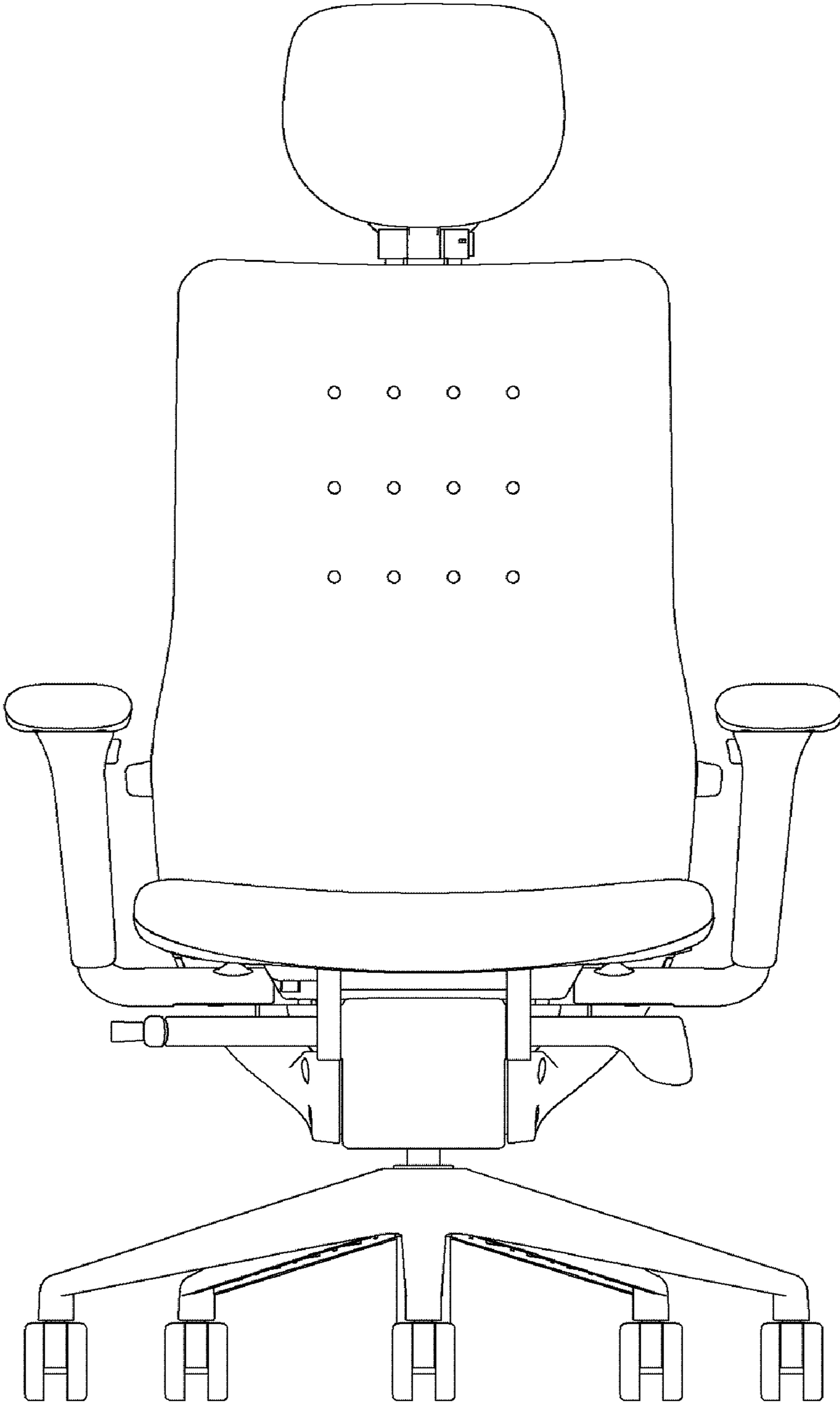


FIG. 3

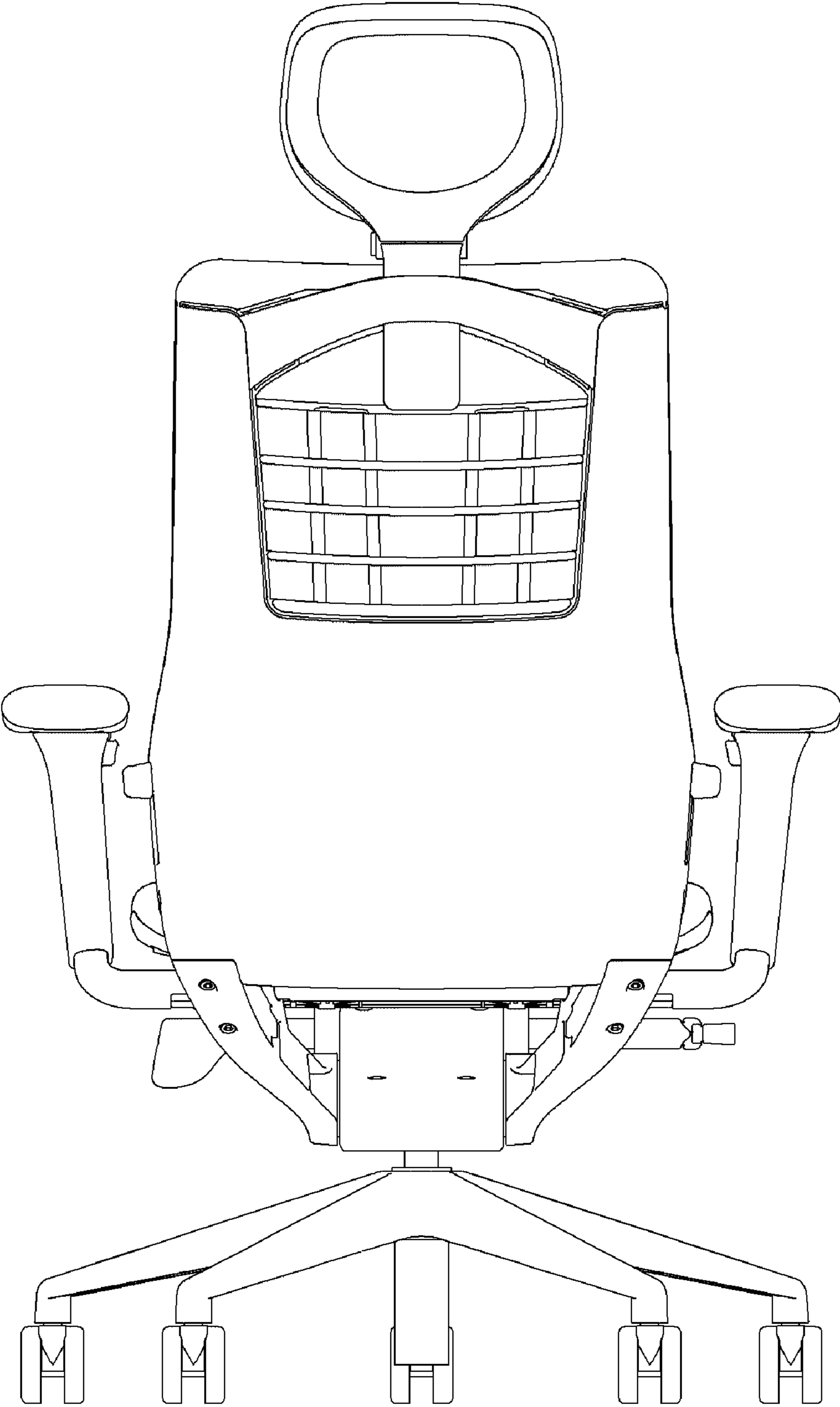


FIG. 4

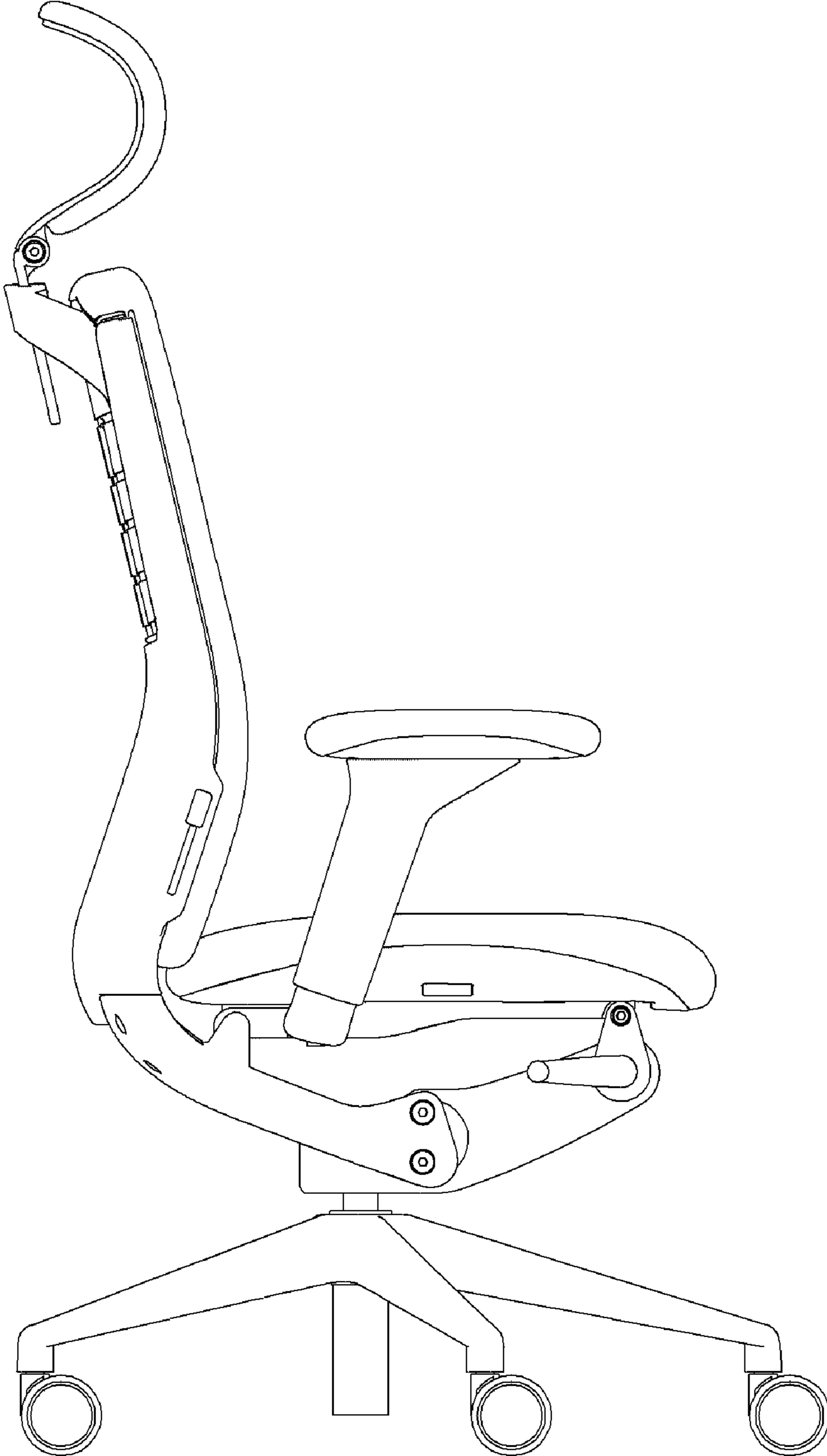


FIG. 5

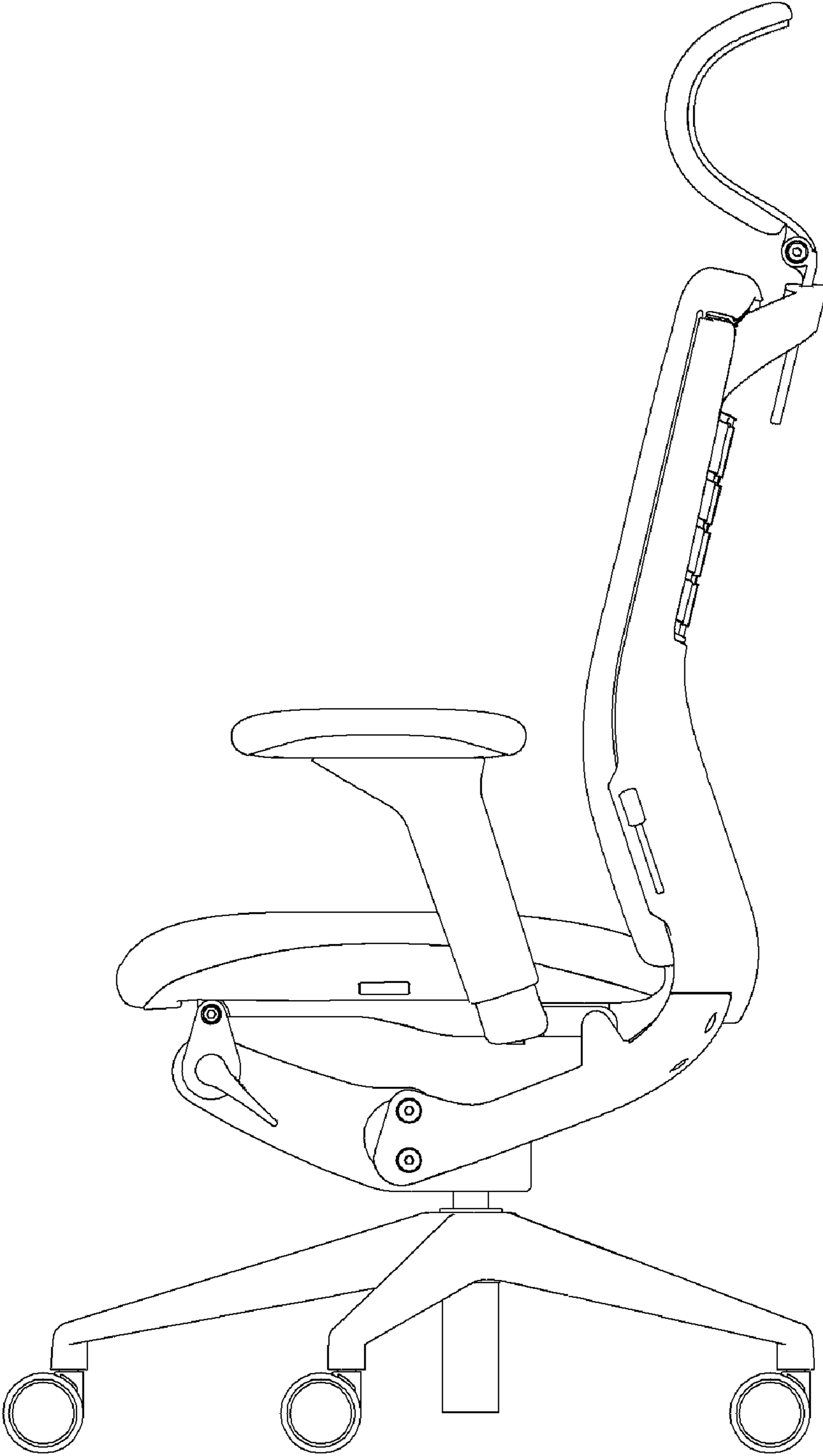


FIG. 6

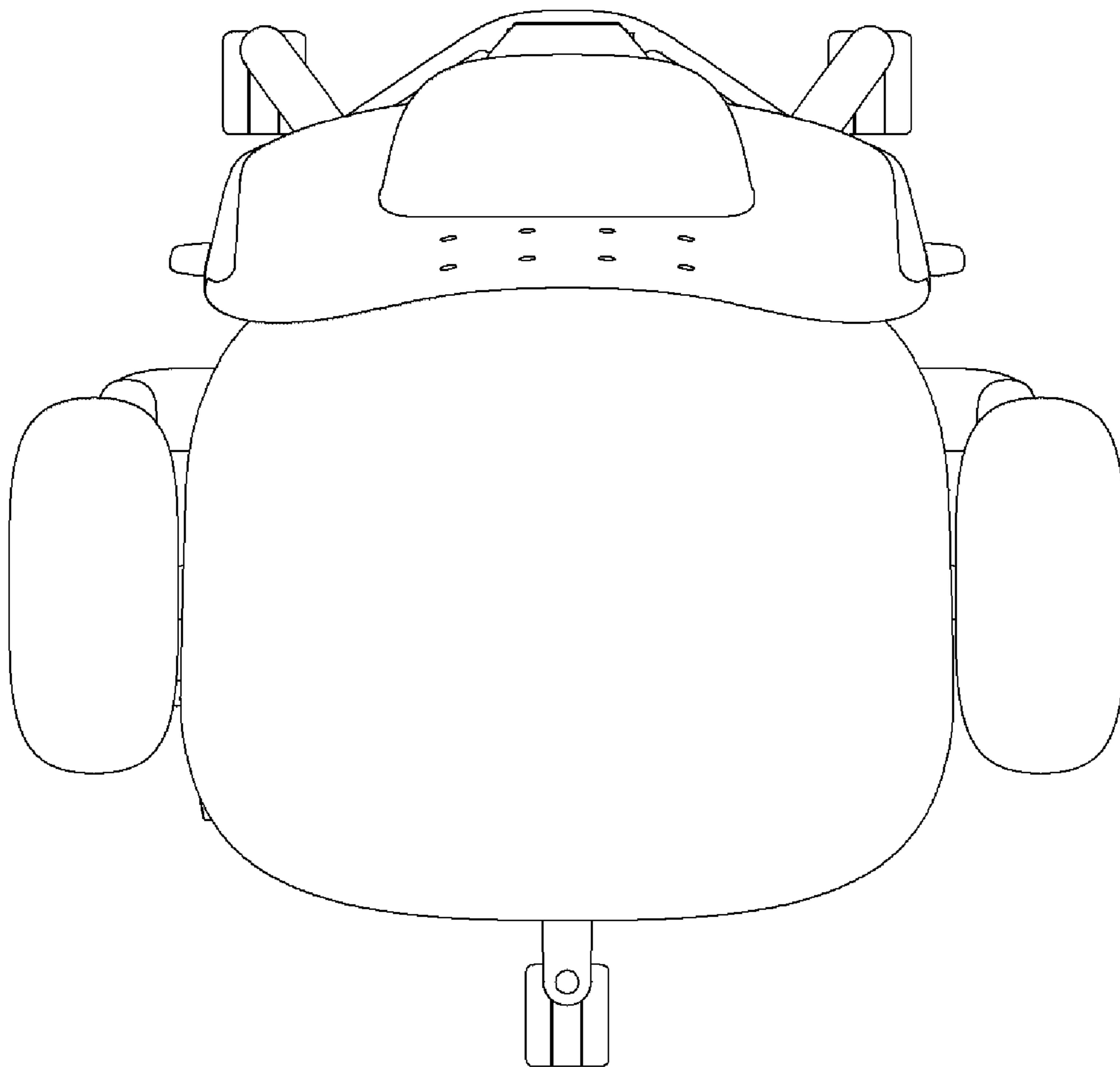


FIG. 7

