



US00D655523S

(12) **United States Design Patent**
Neil

(10) **Patent No.:** **US D655,523 S**
(45) **Date of Patent:** **** Mar. 13, 2012**

(54) **CHAIR**

(75) Inventor: **Gary Neil**, Mississauga (CA)

(73) Assignee: **Allseating Corporation**, Mississauga (CA)

(**) Term: **14 Years**

(21) Appl. No.: **29/363,738**

(22) Filed: **Jun. 14, 2010**

(51) **LOC (9) Cl.** **06-01**

(52) **U.S. Cl.** **D6/366**

(58) **Field of Classification Search** D6/334-336,
D6/364, 365, 366, 367, 374, 379, 500-502;
297/411.2, 411.28, 452.21, 452.29, 452.35,
297/452.37, 452.48

See application file for complete search history.

(56) **References Cited**

U.S. PATENT DOCUMENTS

D437,702 S * 2/2001 Koepke et al. D6/366
D495,166 S * 8/2004 Chu D6/500

D558,998 S * 1/2008 Hara D6/366
D576,809 S * 9/2008 Christianson et al. D6/356
D597,329 S * 8/2009 Tanaka et al. D6/366

* cited by examiner

Primary Examiner — Mimoso De

(74) *Attorney, Agent, or Firm* — Norton Rose Canada LLP

(57) **CLAIM**

The ornamental design for a chair, as shown and described.

DESCRIPTION

FIG. 1 is a front perspective view of the chair.
FIG. 2 is a back perspective view of the chair.
FIG. 3 is a right side view of the chair.
FIG. 4 is a front plan view of the chair.
FIG. 5 is a left side view of the chair.
FIG. 6 is a back plan view of the chair.
FIG. 7 is a top plan view of the chair; and,
FIG. 8 is a bottom plan view of the chair.
The broken lines shown in FIG. 8 drawing view are for illustrative purposes only and form no part of the claimed design.

1 Claim, 8 Drawing Sheets





FIG. 1



FIG. 2

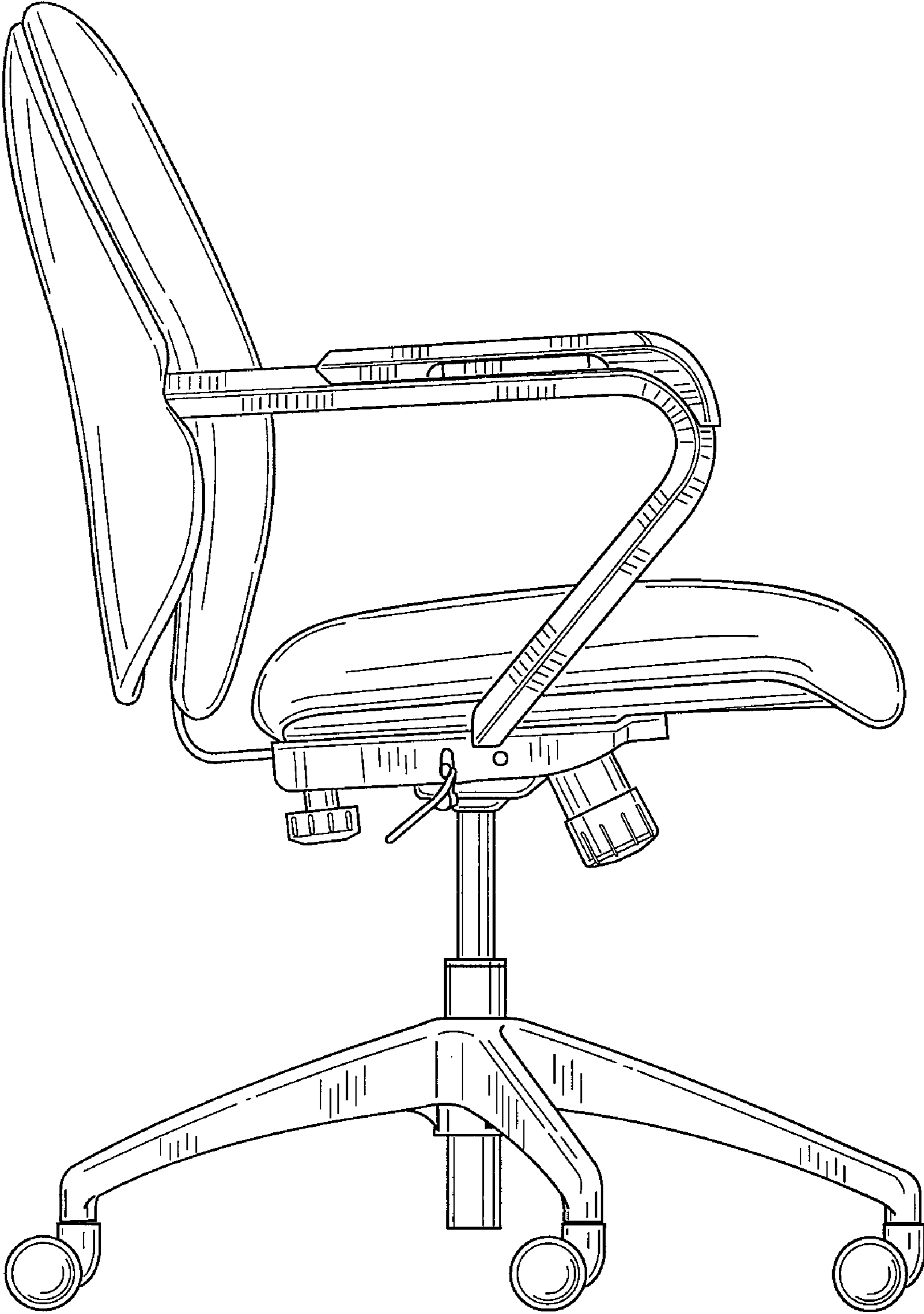


FIG. 3

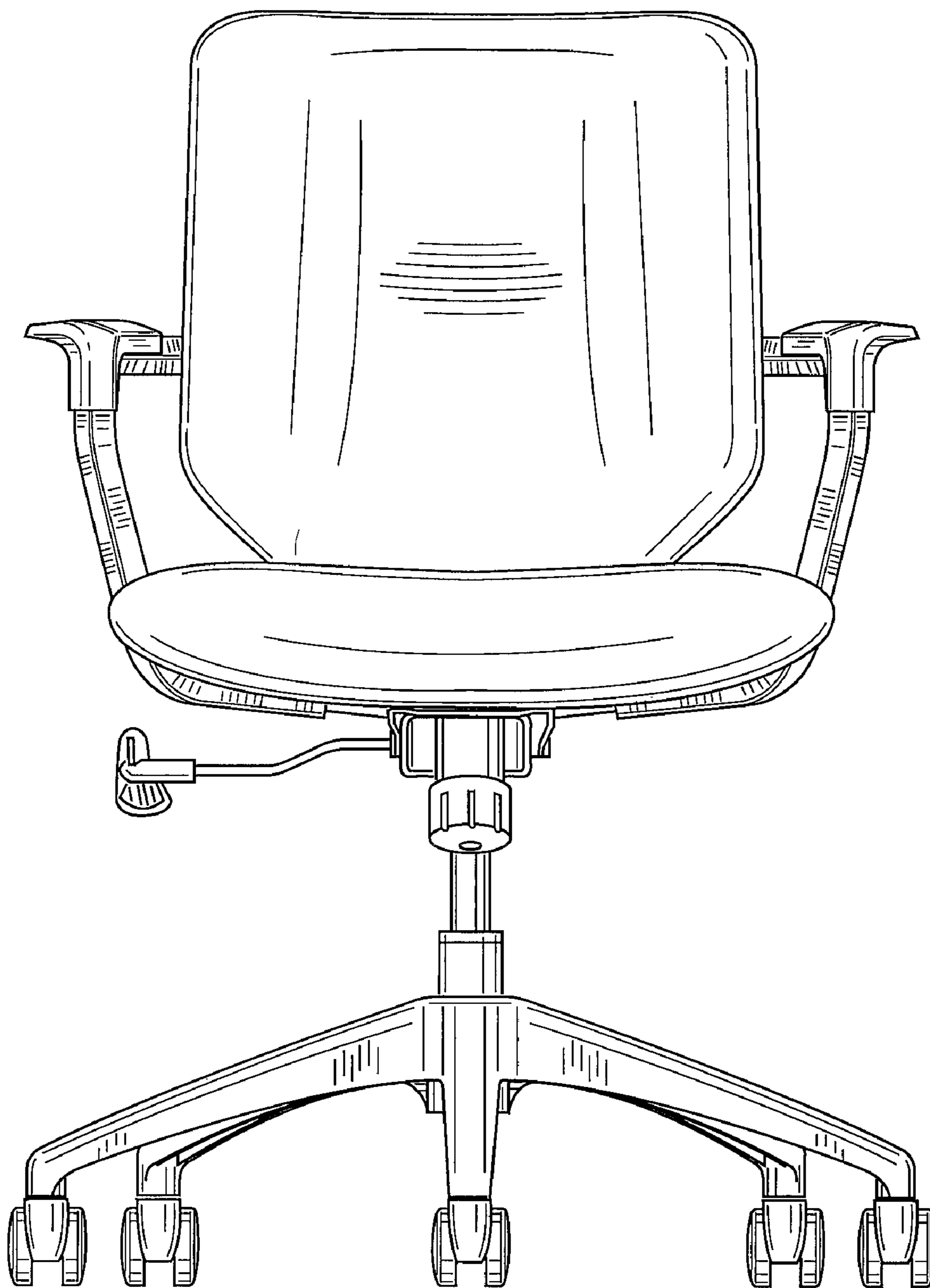


FIG. 4

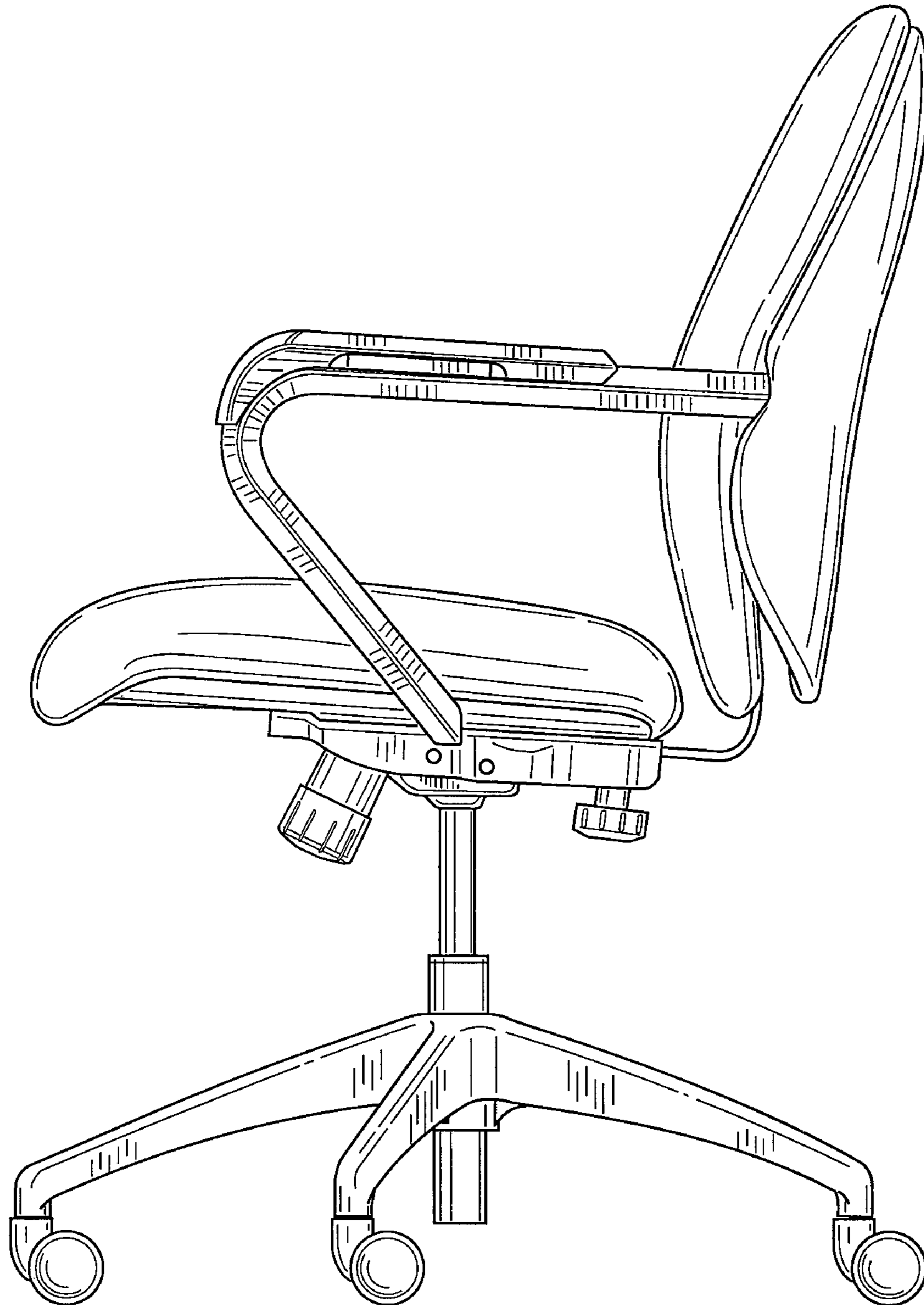


FIG. 5

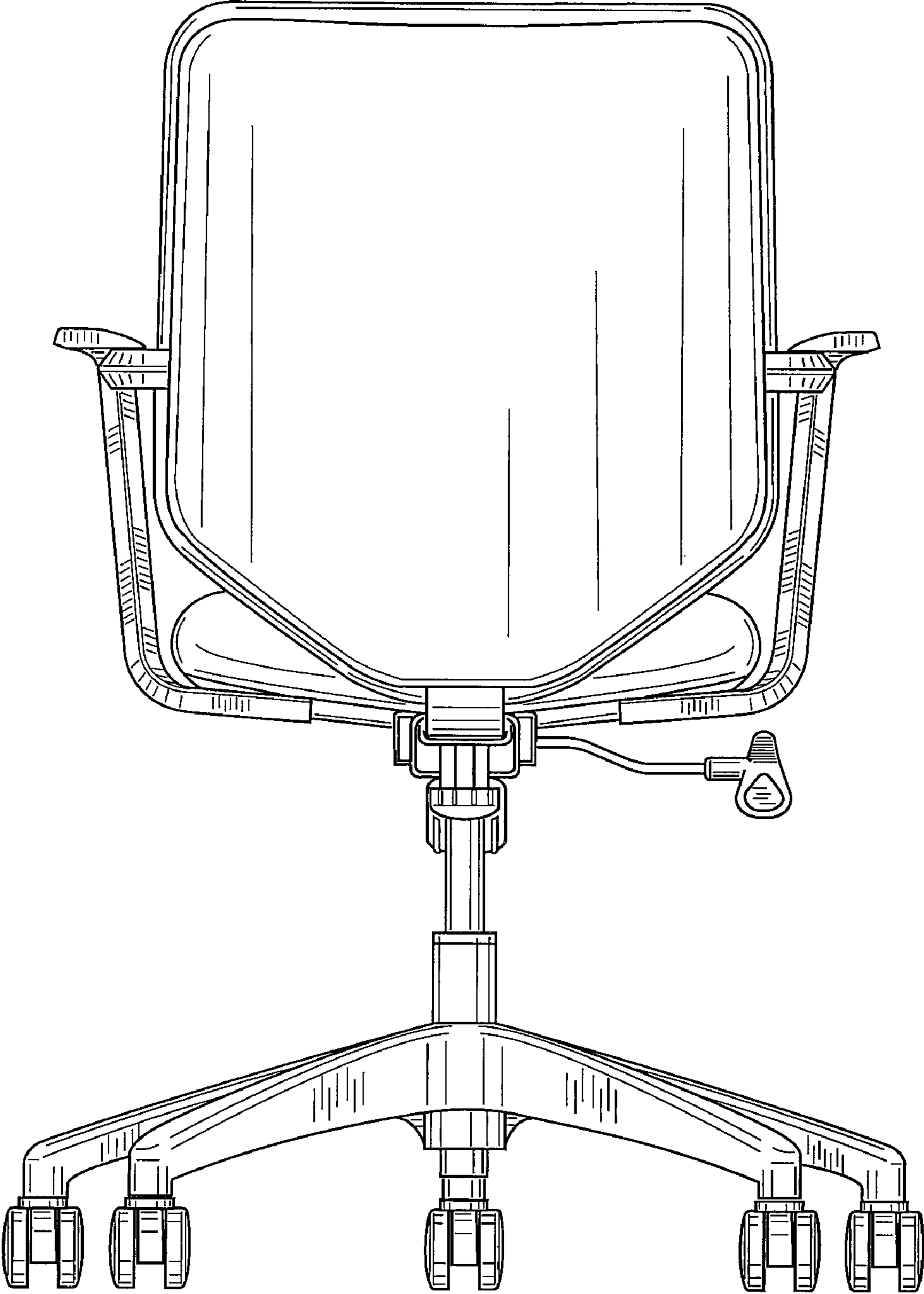


FIG. 6

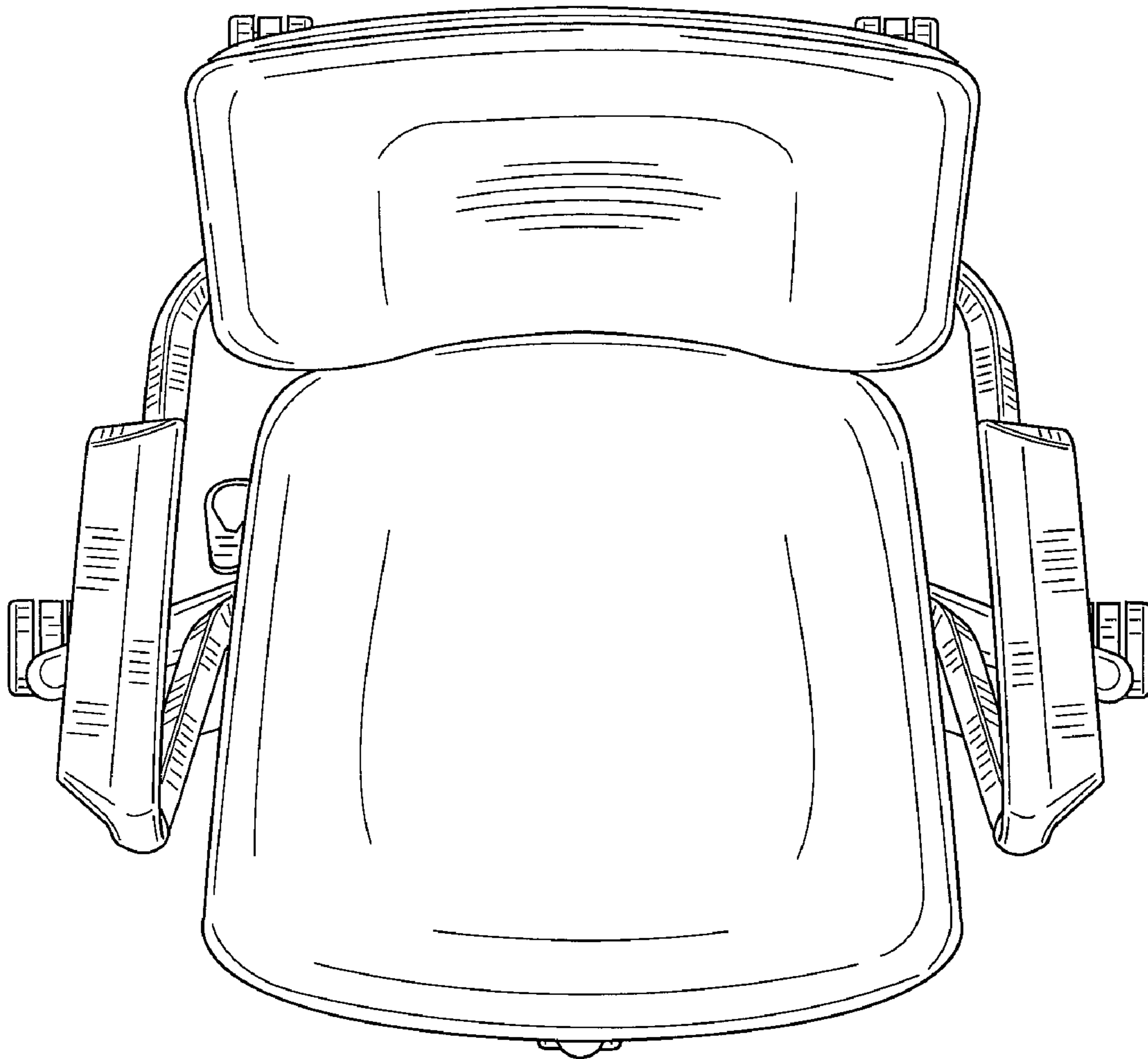


FIG. 7

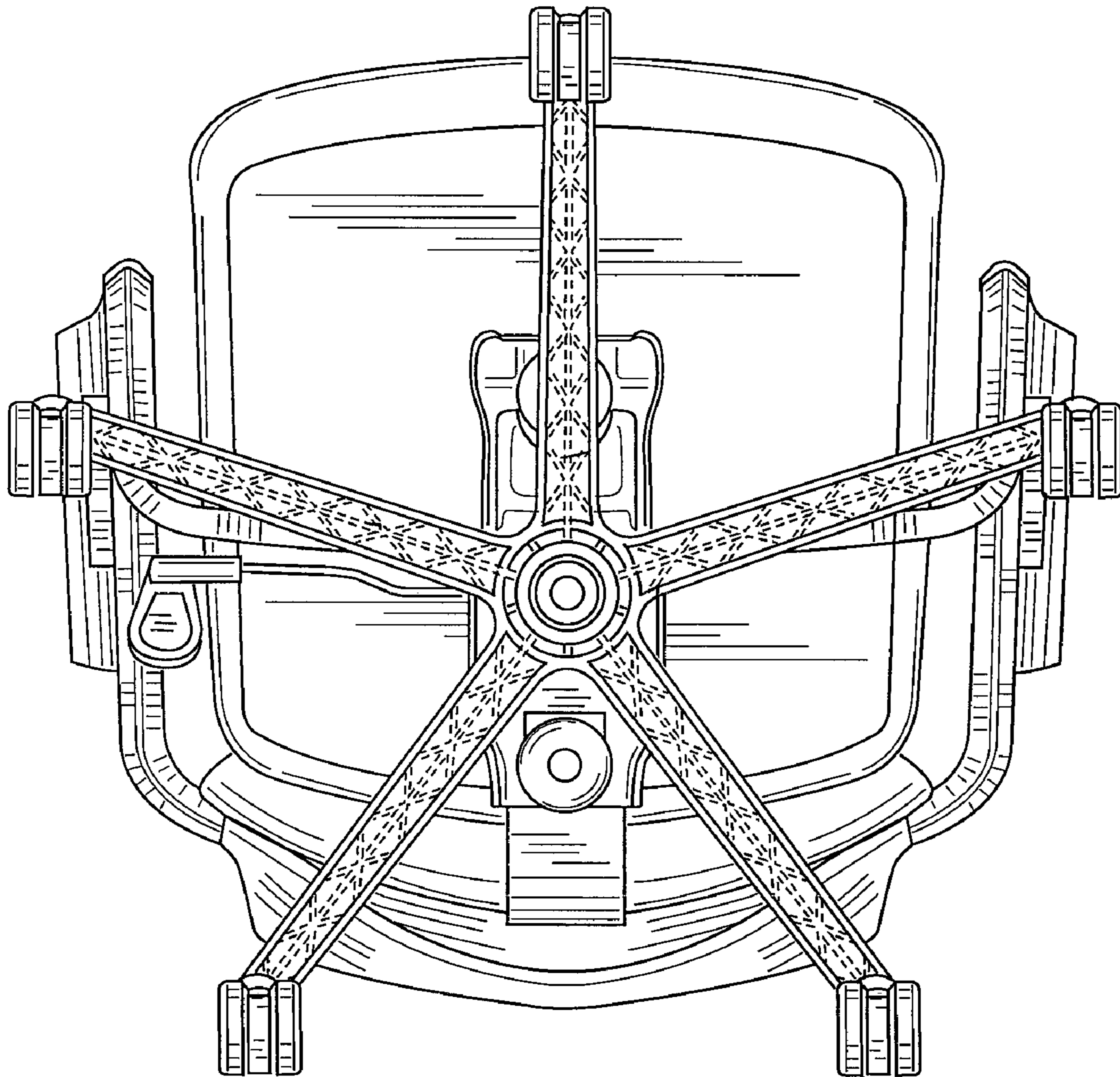


FIG. 8